

# UC3844B, UC3845B, UC2844B, UC2845B

## High Performance Current Mode Controllers

The UC3844B, UC3845B series are high performance fixed frequency current mode controllers. They are specifically designed for Off-Line and dc-dc converter applications offering the designer a cost-effective solution with minimal external components. These integrated circuits feature an oscillator, a temperature compensated reference, high gain error amplifier, current sensing comparator, and a high current totem pole output ideally suited for driving a power MOSFET.

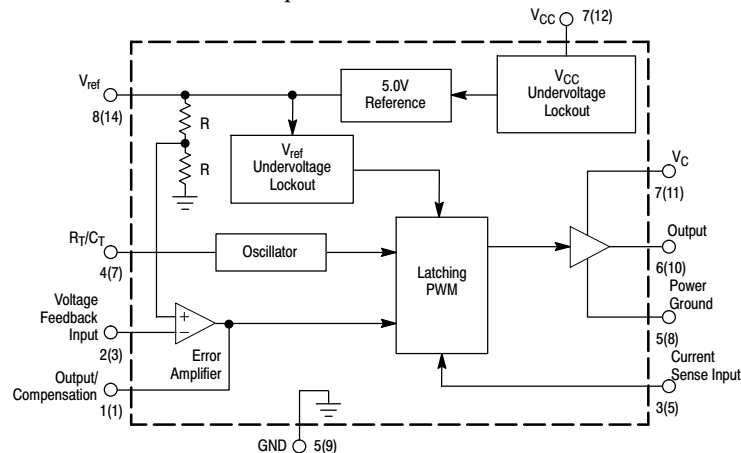
Also included are protective features consisting of input and reference undervoltage lockouts each with hysteresis, cycle-by-cycle current limiting, a latch for single pulse metering, and a flip-flop which blanks the output off every other oscillator cycle, allowing output deadtimes to be programmed from 50% to 70%.

These devices are available in an 8-pin dual-in-line and surface mount (SOIC-8) plastic package as well as the 14-pin plastic surface mount (SOIC-14) package. The SOIC-14 package has separate power and ground pins for the totem pole output stage.

The UC3844B has the UVLO thresholds of 16V (on) and 10V (off), ideally suited for off-line converters. The UC3845B is tailored for lower voltage applications having UVLO thresholds of 8.5V (on) and 7.6V (off).

### Features

- Trimmed Oscillator for Precise Frequency Control
- Oscillator Frequency Guaranteed at 250 kHz
- Current Mode Operation to 500 kHz Output Switching Frequency
- Output Deadtime Adjustable from 50% to 70%
- Automatic Feed Forward Compensation
- Latching PWM for Cycle-By-Cycle Current Limiting
- Internally Trimmed Reference with Undervoltage Lockout
- High Current Totem Pole Output
- Undervoltage Lockout with Hysteresis
- Low Startup and Operating Current
- These Devices are Pb-Free and are RoHS Compliant
- NCV Prefix for Automotive and Other Applications Requiring Unique Site and Control Change Requirements; AEC-Q100 Qualified and PPAP Capable



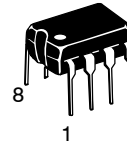
Pin numbers in parenthesis are for the D suffix SOIC-14 package.

**Figure 1. Simplified Block Diagram**

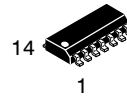


**ON Semiconductor®**

<http://onsemi.com>



**PDIP-8  
N SUFFIX  
CASE 626**



**SOIC-14  
D SUFFIX  
CASE 751A**



**SOIC-8  
D1 SUFFIX  
CASE 751**

### PIN CONNECTIONS



### ORDERING INFORMATION

See detailed ordering and shipping information in the package dimensions section on page 15 of this data sheet.

### DEVICE MARKING INFORMATION

See general marking information in the device marking section on page 16 of this data sheet.

# UC3844B, UC3845B, UC2844B, UC2845B

## MAXIMUM RATINGS

| Rating   | Symbol                   | Value   | Unit                     |
|--|--------------------------|---|--------------------------|
| Bias and Driver Voltages (Zero Series Impedance, see also Total Device spec) (Note 1)  | $V_{CC}, V_C$            | 36  | V                        |
| Total Power Supply and Zener Current   | $(I_{CC} + I_Z)$         | 30  | mA                       |
| Output Current, Source or Sink (Note 2)  | $I_O$                    | 1.0   | A                        |
| Output Energy (Capacitive Load per Cycle)  | W                        | 5.0   | $\mu$ J                  |
| Current Sense and Voltage Feedback Inputs  | $V_{in}$                 | - 0.3 to + 5.5  | V                        |
| Error Amp Output Sink Current  | $I_O$                    | 10  | mA                       |
| Power Dissipation and Thermal Characteristics<br>D Suffix, Plastic Package, SOIC-14 Case 751A<br>Maximum Power Dissipation @ $T_A = 25^\circ\text{C}$<br>Thermal Resistance, Junction-to-Air | $P_D$<br>$R_{\theta JA}$ | 862<br>145  | mW<br>$^\circ\text{C/W}$ |
| D1 Suffix, Plastic Package, SOIC-8 Case 751<br>Maximum Power Dissipation @ $T_A = 25^\circ\text{C}$<br>Thermal Resistance, Junction-to-Air   | $P_D$<br>$R_{\theta JA}$ | 702<br>178  | mW<br>$^\circ\text{C/W}$ |
| N Suffix, Plastic Package, Case 626<br>Maximum Power Dissipation @ $T_A = 25^\circ\text{C}$<br>Thermal Resistance, Junction-to-Air   | $P_D$<br>$R_{\theta JA}$ | 1.25<br>100   | W<br>$^\circ\text{C/W}$  |
| Operating Junction Temperature   | $T_J$                    | +150  | $^\circ\text{C}$         |
| Operating Ambient Temperature  | $T_A$                    | UC3844B, UC3845B<br>UC2844B, UC2845B<br>UC3844BV, UC3845BV<br>0 to +70<br>-25 to +85<br>-40 to +105 | $^\circ\text{C}$         |
| Storage Temperature Range  | $T_{stg}$                | - 65 to +150  | $^\circ\text{C}$         |

Stresses exceeding Maximum Ratings may damage the device. Maximum Ratings are stress ratings only. Functional operation above the Recommended Operating Conditions is not implied. Extended exposure to stresses above the Recommended Operating Conditions may affect device reliability.

- The voltage is clamped by a zener diode (see page 9 Under Voltage Lockout section). Therefore this voltage may be exceeded as long as the total power supply and zener current is not exceeded.
- Maximum package power dissipation limits must be observed.
- This device series contains ESD protection and exceeds the following tests: Human Body Model 4000 V per JEDEC Standard JESD22-A114B, Machine Model Method 200 V per JEDEC Standard JESD22-A115-A
- This device contains latch-up protection and exceeds 100 mA per JEDEC Standard JESD78

**ELECTRICAL CHARACTERISTICS** ( $V_{CC} = 15\text{ V}$  [Note 5],  $R_T = 10\text{ k}$ ,  $C_T = 3.3\text{ nF}$ . For typical values  $T_A = 25^\circ\text{C}$ , for min/max values  $T_A$  is the operating ambient temperature range that applies [Note 6], unless otherwise noted.)

| Characteristic | Symbol | UC284xB |     |     | UC384xB, xBV, NCV384xBV |     |     | Unit |
|----------------|--------|---------|-----|-----|-------------------------|-----|-----|------|
|                |        | Min     | Typ | Max | Min                     | Typ | Max |      |

## REFERENCE SECTION

|  |              |      |      |      |      |      |      |                      |
|--|--------------|------|------|------|------|------|------|----------------------|
| Reference Output Voltage ( $I_O = 1.0\text{ mA}$ , $T_J = 25^\circ\text{C}$ )            | $V_{ref}$    | 4.95 | 5.0  | 5.05 | 4.9  | 5.0  | 5.1  | V                    |
| Line Regulation ( $V_{CC} = 12\text{ V to } 25\text{ V}$ )                               | $Reg_{line}$ | -    | 2.0  | 20   | -    | 2.0  | 20   | mV                   |
| Load Regulation ( $I_O = 1.0\text{ mA to } 20\text{ mA}$ )                               | $Reg_{load}$ | -    | 3.0  | 25   | -    | 3.0  | 25   | mV                   |
| Temperature Stability  | $T_S$        | -    | 0.2  | -    | -    | 0.2  | -    | mV/ $^\circ\text{C}$ |
| Total Output Variation over Line, Load, & Temperature                                    | $V_{ref}$    | 4.9  | -    | 5.1  | 4.82 | -    | 5.18 | V                    |
| Output Noise Voltage ( $f = 10\text{ Hz to } 10\text{ kHz}$ , $T_J = 25^\circ\text{C}$ ) | $V_n$        | -    | 50   | -    | -    | 50   | -    | $\mu$ V              |
| Long Term Stability ( $T_A = 125^\circ\text{C}$ for 1000 Hours)                          | S            | -    | 5.0  | -    | -    | 5.0  | -    | mV                   |
| Output Short Circuit Current   | $I_{SC}$     | - 30 | - 85 | -180 | - 30 | - 85 | -180 | mA                   |

## OSCILLATOR SECTION

|  |                           |                 |                |                 |                 |                |                 |     |
|--|---------------------------|-----------------|----------------|-----------------|-----------------|----------------|-----------------|-----|
| Frequency<br>$T_J = 25^\circ\text{C}$<br>$T_A = T_{low} \text{ to } T_{high}$<br>$T_J = 25^\circ\text{C}$ ( $R_T = 6.2\text{ k}$ , $C_T = 1.0\text{ nF}$ ) | $f_{OSC}$                 | 49<br>48<br>225 | 52<br>-<br>250 | 55<br>56<br>275 | 49<br>48<br>225 | 52<br>-<br>250 | 55<br>56<br>275 | kHz |
| Frequency Change with Voltage ( $V_{CC} = 12\text{ V to } 25\text{ V}$ )   | $\Delta f_{OSC}/\Delta V$ | -               | 0.2            | 1.0             | -               | 0.2            | 1.0             | %   |
| Frequency Change w/ Temperature ( $T_A = T_{low} \text{ to } T_{high}$ )   | $\Delta f_{OSC}/\Delta T$ | -               | 1.0            | -               | -               | 0.5            | -               | %   |
| Oscillator Voltage Swing (Peak-to-Peak)  | $V_{OSC}$                 | -               | 1.6            | -               | -               | 1.6            | -               | V   |

- Adjust  $V_{CC}$  above the Startup threshold before setting to 15 V.
- Low duty cycle pulse techniques are used during test to maintain junction temperature as close to ambient as possible.  
 $T_{low} = 0^\circ\text{C}$  for UC3844B, UC3845B  
 $T_{high} = +70^\circ\text{C}$  for UC3844B, UC3845B  
 $= -25^\circ\text{C}$  for UC2844B, UC2845B  
 $= +85^\circ\text{C}$  for UC2844B, UC2845B  
 $= -40^\circ\text{C}$  for UC384xBV, NCV384xBV  
 $= +105^\circ\text{C}$  for UC3844BV, UC3845BV  
 $= +125^\circ\text{C}$  for NCV384xBV

# UC3844B, UC3845B, UC2844B, UC2845B

**ELECTRICAL CHARACTERISTICS** ( $V_{CC} = 15\text{ V}$  [Note 7],  $R_T = 10\text{ k}$ ,  $C_T = 3.3\text{ nF}$ . For typical values  $T_A = 25^\circ\text{C}$ , for min/max values  $T_A$  is the operating ambient temperature range that applies [Note 8], unless otherwise noted.)

| Characteristic | Symbol | UC284xB |     |     | UC384xB, xBV,<br>NCV384xBV |     |     | Unit |
|----------------|--------|---------|-----|-----|----------------------------|-----|-----|------|
|                |        | Min     | Typ | Max | Min                        | Typ | Max |      |

## OSCILLATOR SECTION

|  |              |                          |     |     |     |     |     |     |    |
|--|--------------|--------------------------|-----|-----|-----|-----|-----|-----|----|
| Discharge Current ( $V_{OSC} = 2.0\text{ V}$ )<br>$T_A = T_{low}$ to $T_{high}$ (UC284XB, UC384XB)<br>(UC384XBV) | $I_{dischg}$ | $T_J = 25^\circ\text{C}$ | 7.8 | 8.3 | 8.8 | 7.8 | 8.3 | 8.8 | mA |
|  |              |                          | 7.5 | –   | 8.8 | 7.6 | –   | 8.8 |    |
|  |              |                          | –   | –   | –   | 7.2 | –   | 8.8 |    |

## ERROR AMPLIFIER SECTION

|   |                      |      |      |      |      |      |      |               |
|---|----------------------|------|------|------|------|------|------|---------------|
| Voltage Feedback Input ( $V_O = 2.5\text{ V}$ )   | $V_{FB}$             | 2.45 | 2.5  | 2.55 | 2.42 | 2.5  | 2.58 | V             |
| Input Bias Current ( $V_{FB} = 5.0\text{ V}$ )  | $I_{IB}$             | –    | –0.1 | –1.0 | –    | –0.1 | –2.0 | $\mu\text{A}$ |
| Open Loop Voltage Gain ( $V_O = 2.0\text{ V}$ to $4.0\text{ V}$ )   | $A_{VOL}$            | 65   | 90   | –    | 65   | 90   | –    | dB            |
| Unity Gain Bandwidth ( $T_J = 25^\circ\text{C}$ )   | BW                   | 0.7  | 1.0  | –    | 0.7  | 1.0  | –    | MHz           |
| Power Supply Rejection Ratio ( $V_{CC} = 12\text{ V}$ to $25\text{ V}$ )  | PSRR                 | 60   | 70   | –    | 60   | 70   | –    | dB            |
| Output Current – Sink ( $V_O = 1.1\text{ V}$ , $V_{FB} = 2.7\text{ V}$ )<br>Source ( $V_O = 5.0\text{ V}$ , $V_{FB} = 2.3\text{ V}$ )   | $I_{Sink}$           | 2.0  | 12   | –    | 2.0  | 12   | –    | mA            |
|   | $I_{Source}$         | –0.5 | –1.0 | –    | –0.5 | –1.0 | –    |               |
| Output Voltage Swing<br>High State ( $R_L = 15\text{ k}$ to ground, $V_{FB} = 2.3\text{ V}$ )<br>Low State ( $R_L = 15\text{ k}$ to $V_{ref}$ , $V_{FB} = 2.7\text{ V}$ )<br>(UC284XB, UC384XB)<br>(UC384XBV) | $V_{OH}$<br>$V_{OL}$ | 5.0  | 6.2  | –    | 5.0  | 6.2  | –    | V             |
|   |                      | –    | 0.8  | 1.1  | –    | 0.8  | 1.1  |               |
|   |                      | –    | –    | –    | –    | 0.8  | 1.2  |               |

## CURRENT SENSE SECTION

|   |                   |           |          |           |              |            |              |               |
|---|-------------------|-----------|----------|-----------|--------------|------------|--------------|---------------|
| Current Sense Input Voltage Gain (Notes 9 & 10)<br>(UC284XB, UC384XB)<br>(UC384XBV) | $A_V$             | 2.85<br>– | 3.0<br>– | 3.15<br>– | 2.85<br>2.85 | 3.0<br>3.0 | 3.15<br>3.25 | V/V           |
| Maximum Current Sense Input Threshold (Note 9)<br>(UC284XB, UC384XB)<br>(UC384XBV)  | $V_{th}$          | 0.9<br>–  | 1.0<br>– | 1.1<br>–  | 0.9<br>0.85  | 1.0<br>1.0 | 1.1<br>1.1   | V             |
| Power Supply Rejection Ratio ( $V_{CC} = 12\text{ V}$ to $25\text{ V}$ ) (Note 9)   | PSRR              | –         | 70       | –         | –            | 70         | –            | dB            |
| Input Bias Current  | $I_{IB}$          | –         | –2.0     | –10       | –            | –2.0       | –10          | $\mu\text{A}$ |
| Propagation Delay (Current Sense Input to Output)                                   | $t_{PLH(In/Out)}$ | –         | 150      | 300       | –            | 150        | 300          | ns            |

## OUTPUT SECTION

|  |                      |    |      |     |    |      |     |    |
|--|----------------------|----|------|-----|----|------|-----|----|
| Output Voltage<br>Low State ( $I_{Sink} = 20\text{ mA}$ )<br>( $I_{Sink} = 200\text{ mA}$ , UC284XB, UC384XB)<br>( $I_{Sink} = 200\text{ mA}$ , UC384XBV)<br>High State ( $I_{Source} = 20\text{ mA}$ , UC284XB, UC384XB)<br>( $I_{Source} = 20\text{ mA}$ , UC384XBV)<br>( $I_{Source} = 200\text{ mA}$ ) | $V_{OL}$<br>$V_{OH}$ | –  | 0.1  | 0.4 | –  | 0.1  | 0.4 | V  |
|  |                      | –  | 1.6  | 2.2 | –  | 1.6  | 2.2 |    |
|  |                      | –  | –    | –   | –  | 1.6  | 2.3 |    |
|  |                      | 13 | 13.5 | –   | 13 | 13.5 | –   |    |
|  | $V_{OL(UVLO)}$       | –  | 0.1  | 1.1 | –  | 0.1  | 1.1 | V  |
|  |                      | –  | 0.1  | 1.1 | –  | 0.1  | 1.1 |    |
| Output Voltage Rise Time ( $C_L = 1.0\text{ nF}$ , $T_J = 25^\circ\text{C}$ )  | $t_r$                | –  | 50   | 150 | –  | 50   | 150 | ns |
| Output Voltage Fall Time ( $C_L = 1.0\text{ nF}$ , $T_J = 25^\circ\text{C}$ )  | $t_f$                | –  | 50   | 150 | –  | 50   | 150 | ns |

## UNDERVOLTAGE LOCKOUT SECTION

|   |             |               |     |     |     |      |     |      |   |
|---|-------------|---------------|-----|-----|-----|------|-----|------|---|
| Startup Threshold                       | UCX844B, BV | $V_{th}$      | 15  | 16  | 17  | 14.5 | 16  | 17.5 | V |
|   | UCX845B, BV |               | 7.8 | 8.4 | 9.0 | 7.8  | 8.4 | 9.0  |   |
| Minimum Operating Voltage After Turn-On | UCX844B, BV | $V_{CC(min)}$ | 9.0 | 10  | 11  | 8.5  | 10  | 11.5 | V |
|   | UCX845B, BV |               | 7.0 | 7.6 | 8.2 | 7.0  | 7.6 | 8.2  |   |

7. Adjust  $V_{CC}$  above the Startup threshold before setting to 15 V.

8. Low duty cycle pulse techniques are used during test to maintain junction temperature as close to ambient as possible.

|  |   |
|--|---|
| $T_{low} = 0^\circ\text{C}$ for UC3844B, UC3845B | $T_{high} = +70^\circ\text{C}$ for UC3844B, UC3845B |
| = $-25^\circ\text{C}$ for UC2844B, UC2845B       | = $+85^\circ\text{C}$ for UC2844B, UC2845B          |
| = $-40^\circ\text{C}$ for UC384xBV, NCV384xBV    | = $+105^\circ\text{C}$ for UC3844BV, UC3845BV       |
|  | = $+125^\circ\text{C}$ for NCV384xBV                |

9. This parameter is measured at the latch trip point with  $V_{FB} = 0\text{ V}$ .

10. Comparator gain is defined as:  $A_V = \frac{\Delta V_{Output/Compensation}}{\Delta V_{Current\ Sense\ Input}}$

# UC3844B, UC3845B, UC2844B, UC2845B

**ELECTRICAL CHARACTERISTICS** ( $V_{CC} = 15\text{ V}$  [Note 11],  $R_T = 10\text{ k}$ ,  $C_T = 3.3\text{ nF}$ . For typical values  $T_A = 25^\circ\text{C}$ , for min/max values  $T_A$  is the operating ambient temperature range that applies [Note 12], unless otherwise noted.)

| Characteristic  | Symbol       | UC284xB |     |     | UC384xB, xBV, NCV384xBV |     |     | Unit |
|---|--------------|---------|-----|-----|-------------------------|-----|-----|------|
|   |              | Min     | Typ | Max | Min                     | Typ | Max |      |
| <b>PWM SECTION</b>  |              |         |     |     |                         |     |     |      |
| Duty Cycle  |              |         |     |     |                         |     |     |      |
| Maximum (UC284XB, UC384XB)<br>(UC384XBV)                                | $DC_{(max)}$ | 47      | 48  | 50  | 47                      | 48  | 50  | %    |
| Minimum   | $DC_{(min)}$ | -       | -   | 0   | -                       | -   | 0   |      |
| <b>TOTAL DEVICE</b>   |              |         |     |     |                         |     |     |      |
| Power Supply Current  | $I_{CC}$     |         |     |     |                         |     |     |      |
| Startup ( $V_{CC} = 6.5\text{ V}$ for UCX845B,<br>14 V for UCX844B, BV) |              | -       | 0.3 | 0.5 | -                       | 0.3 | 0.5 | mA   |
| Operating (Note 11)   |              | -       | 12  | 17  | -                       | 12  | 17  |      |
| Power Supply Zener Voltage ( $I_{CC} = 25\text{ mA}$ )                  | $V_Z$        | 30      | 36  | -   | 30                      | 36  | -   | V    |

11. Adjust  $V_{CC}$  above the Startup threshold before setting to 15 V.

12. Low duty cycle pulse techniques are used during test to maintain junction temperature as close to ambient as possible.

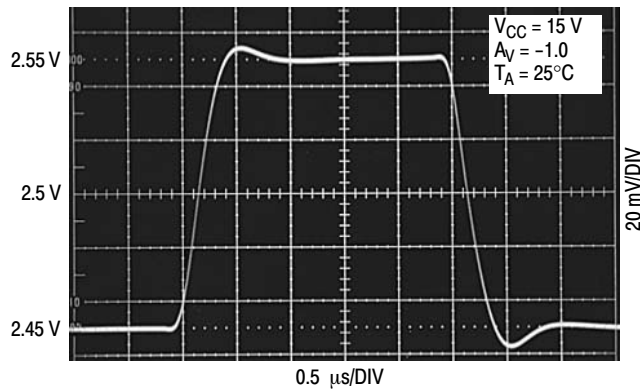
$T_{low} = 0^\circ\text{C}$  for UC3844B, UC3845B       $T_{high} = +70^\circ\text{C}$  for UC3844B, UC3845B  
 =  $-25^\circ\text{C}$  for UC2844B, UC2845B      =  $+85^\circ\text{C}$  for UC2844B, UC2845B  
 =  $-40^\circ\text{C}$  for UC384xBV, NCV384xBV      =  $+105^\circ\text{C}$  for UC3844BV, UC3845BV  
 =  $+125^\circ\text{C}$  for NCV384xBV



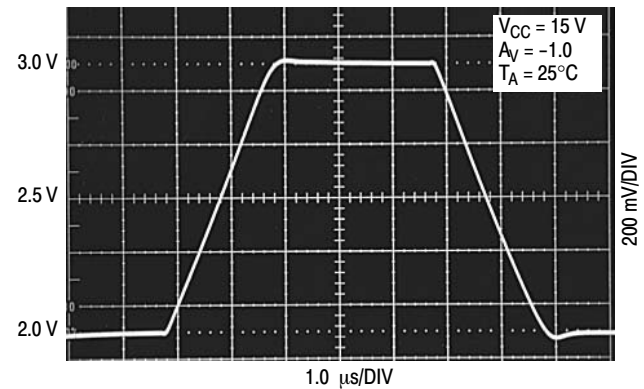
**Figure 2. Timing Resistor versus Oscillator Frequency**



**Figure 3. Output Deadtime versus Oscillator Frequency**



**Figure 4. Error Amp Small Signal Transient Response**



**Figure 5. Error Amp Large Signal Transient Response**



Figure 6. Error Amp Open Loop Gain and Phase versus Frequency



Figure 7. Current Sense Input Threshold versus Error Amp Output Voltage



Figure 8. Reference Voltage Change versus Source Current



Figure 9. Reference Short Circuit Current versus Temperature



Figure 10. Reference Load Regulation



Figure 11. Reference Line Regulation

# UC3844B, UC3845B, UC2844B, UC2845B

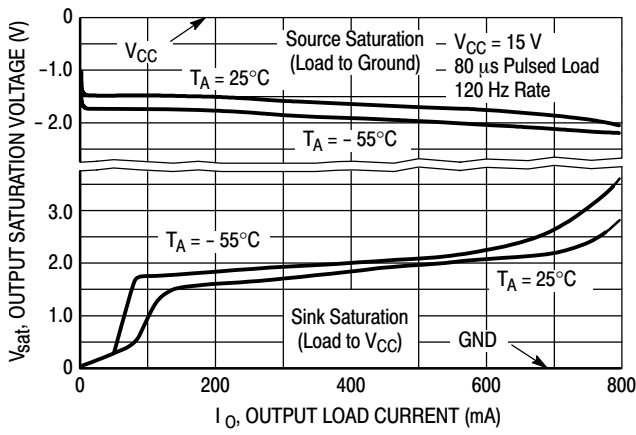


Figure 12. Output Saturation Voltage versus Load Current

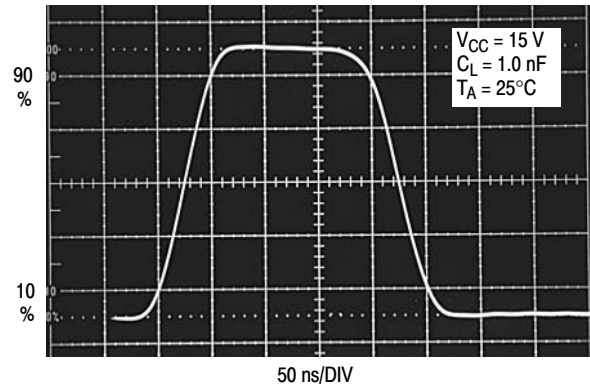


Figure 13. Output Waveform



Figure 14. Output Cross Conduction



Figure 15. Supply Current versus Supply Voltage

## PIN FUNCTION DESCRIPTION

| Pin   |          | Function         | Description   |
|-------|----------|------------------|---|
| 8-Pin | 14-Pin   |                  |   |
| 1     | 1        | Compensation     | This pin is the Error Amplifier output and is made available for loop compensation.   |
| 2     | 3        | Voltage Feedback | This is the inverting input of the Error Amplifier. It is normally connected to the switching power supply output through a resistor divider.   |
| 3     | 5        | Current Sense    | A voltage proportional to inductor current is connected to this input. The PWM uses this information to terminate the output switch conduction.   |
| 4     | 7        | $R_T/C_T$        | The Oscillator frequency and maximum Output duty cycle are programmed by connecting resistor $R_T$ to $V_{ref}$ and capacitor $C_T$ to ground. Oscillator operation to 1.0 kHz is possible.             |
| 5     |          | GND              | This pin is the combined control circuitry and power ground.  |
| 6     | 10       | Output           | This output directly drives the gate of a power MOSFET. Peak currents up to 1.0 A are sourced and sunk by this pin. The output switches at one-half the oscillator frequency.                           |
| 7     | 12       | $V_{CC}$         | This pin is the positive supply of the control IC.  |
| 8     | 14       | $V_{ref}$        | This is the reference output. It provides charging current for capacitor $C_T$ through resistor $R_T$ .   |
|       | 8        | Power Ground     | This pin is a separate power ground return that is connected back to the power source. It is used to reduce the effects of switching transient noise on the control circuitry.                          |
|       | 11       | $V_C$            | The Output high state ( $V_{OH}$ ) is set by the voltage applied to this pin. With a separate power source connection, it can reduce the effects of switching transient noise on the control circuitry. |
|       | 9        | GND              | This pin is the control circuitry ground return and is connected back to the powersource ground.  |
|       | 2,4,6,13 | NC               | No connection. These pins are not internally connected.   |

## OPERATING DESCRIPTION

The UC3844B, UC3845B series are high performance, fixed frequency, current mode controllers. They are specifically designed for Off-Line and DC-DC converter applications offering the designer a cost-effective solution with minimal external components. A representative block diagram is shown in Figure 16.

**Oscillator**

The oscillator frequency is programmed by the values selected for the timing components  $R_T$  and  $C_T$ . Capacitor  $C_T$  is charged from the 5.0 V reference through resistor  $R_T$  to approximately 2.8 V and discharged to 1.2 V by an internal current sink. During the discharge of  $C_T$ , the oscillator generates an internal blanking pulse that holds the center input of the NOR gate high. This causes the Output to be in a low state, thus producing a controlled amount of output deadtime. An internal flip-flop has been incorporated in the UCX844/5B which blanks the output off every other clock cycle by holding one of the inputs of the NOR gate high. This in combination with the  $C_T$  discharge period yields output deadtimes programmable from 50% to 70%. Figure 2 shows  $R_T$  versus Oscillator Frequency and Figure 3, Output Deadtime versus Frequency, both for given values of  $C_T$ . Note that many values of  $R_T$  and  $C_T$  will give the same oscillator frequency but only one combination will yield a specific output deadtime at a given frequency. The oscillator thresholds are temperature compensated to within  $\pm 6\%$  at 50 kHz. Also, because of industry trends moving the UC384X into higher and higher frequency applications, the UC384XB is guaranteed to within  $\pm 10\%$  at 250 kHz.

In many noise-sensitive applications it may be desirable to frequency-lock the converter to an external system clock. This can be accomplished by applying a clock signal to the circuit shown in Figure 18. For reliable locking, the free-running oscillator frequency should be set about 10% less than the clock frequency. A method for multi-unit synchronization is shown in Figure 19. By tailoring the clock waveform, accurate Output duty cycle clamping can be achieved to realize output deadtimes of greater than 70%.

**Error Amplifier**

A fully compensated Error Amplifier with access to the inverting input and output is provided. It features a typical dc voltage gain of 90 dB, and a unity gain bandwidth of 1.0 MHz with 57 degrees of phase margin (Figure 6). The non-inverting input is internally biased at 2.5 V and is not pinned out. The converter output voltage is typically divided down and monitored by the inverting input. The maximum input bias current is  $-2.0 \mu\text{A}$  which can cause an output voltage error that is equal to the product of the input bias current and the equivalent input divider source resistance.

The Error Amp Output (Pin 1) is provided for external loop compensation (Figure 29). The output voltage is offset by two diode drops ( $\approx 1.4 \text{ V}$ ) and divided by three before it connects to the inverting input of the Current Sense

Comparator. This guarantees that no drive pulses appear at the Output (Pin 6) when Pin 1 is at its lowest state ( $V_{OL}$ ). This occurs when the power supply is operating and the load is removed, or at the beginning of a soft-start interval (Figures 21, 22). The Error Amp minimum feedback resistance is limited by the amplifier's source current (0.5 mA) and the required output voltage ( $V_{OH}$ ) to reach the comparator's 1.0 V clamp level:

$$R_{f(\min)} \approx \frac{3.0 (1.0 \text{ V}) + 1.4 \text{ V}}{0.5 \text{ mA}} = 8800 \Omega$$

**Current Sense Comparator and PWM Latch**

The UC3844B, UC3845B operate as a current mode controller, whereby output switch conduction is initiated by the oscillator and terminated when the peak inductor current reaches the threshold level established by the Error Amplifier Output/Compensation (Pin 1). Thus the error signal controls the peak inductor current on a cycle-by-cycle basis. The Current Sense Comparator PWM Latch configuration used ensures that only a single pulse appears at the Output during any given oscillator cycle. The inductor current is converted to a voltage by inserting the ground-referenced sense resistor  $R_S$  in series with the source of output switch Q1. This voltage is monitored by the Current Sense Input (Pin 3) and compared to a level derived from the Error Amp Output. The peak inductor current under normal operating conditions is controlled by the voltage at Pin 1 where:

$$I_{pk} = \frac{V_{(\text{Pin } 1)} - 1.4 \text{ V}}{3 R_S}$$

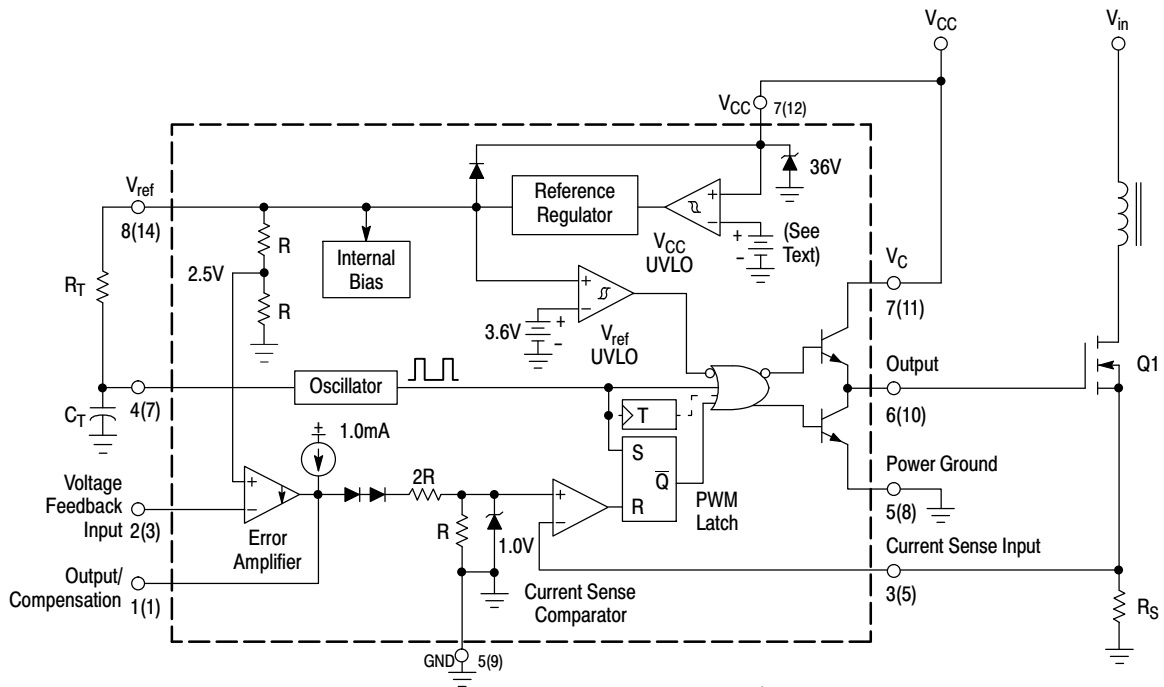
Abnormal operating conditions occur when the power supply output is overloaded or if output voltage sensing is lost. Under these conditions, the Current Sense Comparator threshold will be internally clamped to 1.0 V. Therefore the maximum peak switch current is:

$$I_{pk(\max)} = \frac{1.0 \text{ V}}{R_S}$$

When designing a high power switching regulator it becomes desirable to reduce the internal clamp voltage in order to keep the power dissipation of  $R_S$  to a reasonable level. A simple method to adjust this voltage is shown in Figure 20. The two external diodes are used to compensate the internal diodes, yielding a constant clamp voltage over temperature. Erratic operation due to noise pickup can result if there is an excessive reduction of the  $I_{pk(\max)}$  clamp voltage.

A narrow spike on the leading edge of the current waveform can usually be observed and may cause the power supply to exhibit an instability when the output is lightly loaded. This spike is due to the power transformer interwinding capacitance and output rectifier recovery time. The addition of an RC filter on the Current Sense Input with a time constant that approximates the spike duration will usually eliminate the instability (refer to Figure 24).

# UC3844B, UC3845B, UC2844B, UC2845B



**Figure 16. Representative Block Diagram**



**Figure 17. Timing Diagram**



**Undervoltage Lockout**

Two undervoltage lockout comparators have been incorporated to guarantee that the IC is fully functional before the output stage is enabled. The positive power supply terminal ( $V_{CC}$ ) and the reference output ( $V_{ref}$ ) are each monitored by separate comparators. Each has built-in hysteresis to prevent erratic output behavior as their respective thresholds are crossed. The  $V_{CC}$  comparator upper and lower thresholds are 16 V/10 V for the UCX844B, and 8.4 V/7.6 V for the UCX845B. The  $V_{ref}$  comparator upper and lower thresholds are 3.6 V/3.4 V. The large hysteresis and low startup current of the UCX844B makes it ideally suited in off-line converter applications where efficient bootstrap startup techniques are required (Figure 30). The UCX845B is intended for lower voltage dc-dc converter applications. A 36 V Zener is connected as a shunt regulator from  $V_{CC}$  to ground. Its purpose is to protect the IC from excessive voltage that can occur during system startup. The minimum operating voltage for the UCX844B is 11 V and 8.2 V for the UCX845B.

**Output**

These devices contain a single totem pole output stage that was specifically designed for direct drive of power MOSFETs. It is capable of up to  $\pm 1.0$  A peak drive current and has a typical rise and fall time of 50 ns with a 1.0 nF load. Additional internal circuitry has been added to keep the Output in a sinking mode whenever an undervoltage lockout is active. This characteristic eliminates the need for an external pulldown resistor.

The SOIC-14 surface mount package provides separate pins for  $V_C$  (output supply) and Power Ground. Proper implementation will significantly reduce the level of switching transient noise imposed on the control circuitry. This becomes particularly useful when reducing the  $I_{pk(max)}$  clamp level. The separate  $V_C$  supply input allows the

designer added flexibility in tailoring the drive voltage independent of  $V_{CC}$ . A Zener clamp is typically connected to this input when driving power MOSFETs in systems where  $V_{CC}$  is greater than 20 V. Figure 23 shows proper power and control ground connections in a current-sensing power MOSFET application.

**Reference**

The 5.0 V bandgap reference is trimmed to  $\pm 1.0\%$  tolerance at  $T_J = 25^\circ\text{C}$  on the UC284XB, and  $\pm 2.0\%$  on the UC384XB. Its primary purpose is to supply charging current to the oscillator timing capacitor. The reference has short-circuit protection and is capable of providing in excess of 20 mA for powering additional control system circuitry.

**Design Considerations**

**Do not attempt to construct the converter on wire-wrap or plug-in prototype boards.** High frequency circuit layout techniques are imperative to prevent pulse-width jitter. This is usually caused by excessive noise pick-up imposed on the Current Sense or Voltage Feedback inputs. Noise immunity can be improved by lowering circuit impedances at these points. The printed circuit layout should contain a ground plane with low-current signal and high-current switch and output grounds returning on separate paths back to the input filter capacitor. Ceramic bypass capacitors (0.1  $\mu\text{F}$ ) connected directly to  $V_{CC}$ ,  $V_C$ , and  $V_{ref}$  may be required depending upon circuit layout. This provides a low impedance path for filtering the high frequency noise. All high current loops should be kept as short as possible using heavy copper runs to minimize radiated EMI. The Error Amp compensation circuitry and the converter output voltage divider should be located close to the IC and as far as possible from the power switch and other noise-generating components.



The diode clamp is required if the Sync amplitude is large enough to cause the bottom side of  $C_T$  to go more than 300 mV below ground.

**Figure 18. External Clock Synchronization**



$$f = \frac{1.44}{(R_A + 2R_B)C} \quad D_{(max)} = \frac{R_A}{R_A + 2R_B}$$

**Figure 19. External Duty Cycle Clamp and Multi-Unit Synchronization**



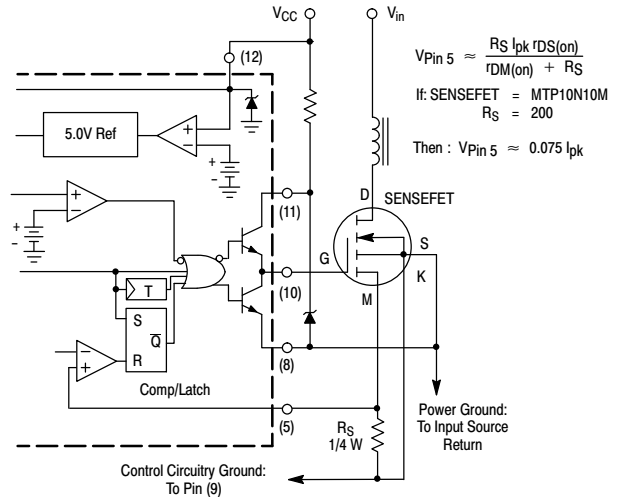
Figure 20. Adjustable Reduction of Clamp Level



Figure 21. Soft-Start Circuit



Figure 22. Adjustable Buffered Reduction of Clamp Level with Soft-Start



Virtually lossless current sensing can be achieved with the implementation of a SENSEFET™ power switch. For proper operation during over-current conditions, a reduction of the  $I_{pk(max)}$  clamp level must be implemented. Refer to Figures 20 and 22.

Figure 23. Current Sensing Power MOSFET

# UC3844B, UC3845B, UC2844B, UC2845B



The addition of the RC filter will eliminate instability caused by the leading edge spike on the current waveform.

**Figure 24. Current Waveform Spike Suppression**



Series gate resistor  $R_g$  will damp any high frequency parasitic oscillations caused by the MOSFET input capacitance and any series wiring inductance in the gate-source circuit.

**Figure 25. MOSFET Parasitic Oscillations**



The totem pole output can furnish negative base current for enhanced transistor turn-off, with the addition of capacitor  $C_1$ .

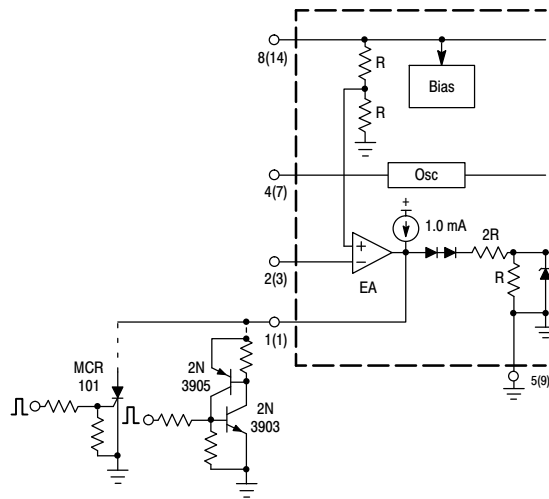
**Figure 26. Bipolar Transistor Drive**

# UC3844B, UC3845B, UC2844B, UC2845B



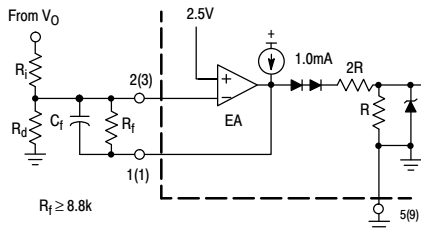
**Figure 27. Isolated MOSFET Drive**

$$I_{pk} = \frac{V_{(Pin 1)} - 1.4}{3 R_S} \left( \frac{N_S}{N_P} \right)$$

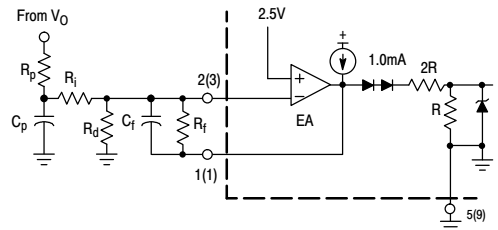


The MCR101 SCR must be selected for a holding of < 0.5 mA @ T<sub>A(min)</sub>. The simple two transistor circuit can be used in place of the SCR as shown. All resistors are 10 k.

**Figure 28. Latched Shutdown**



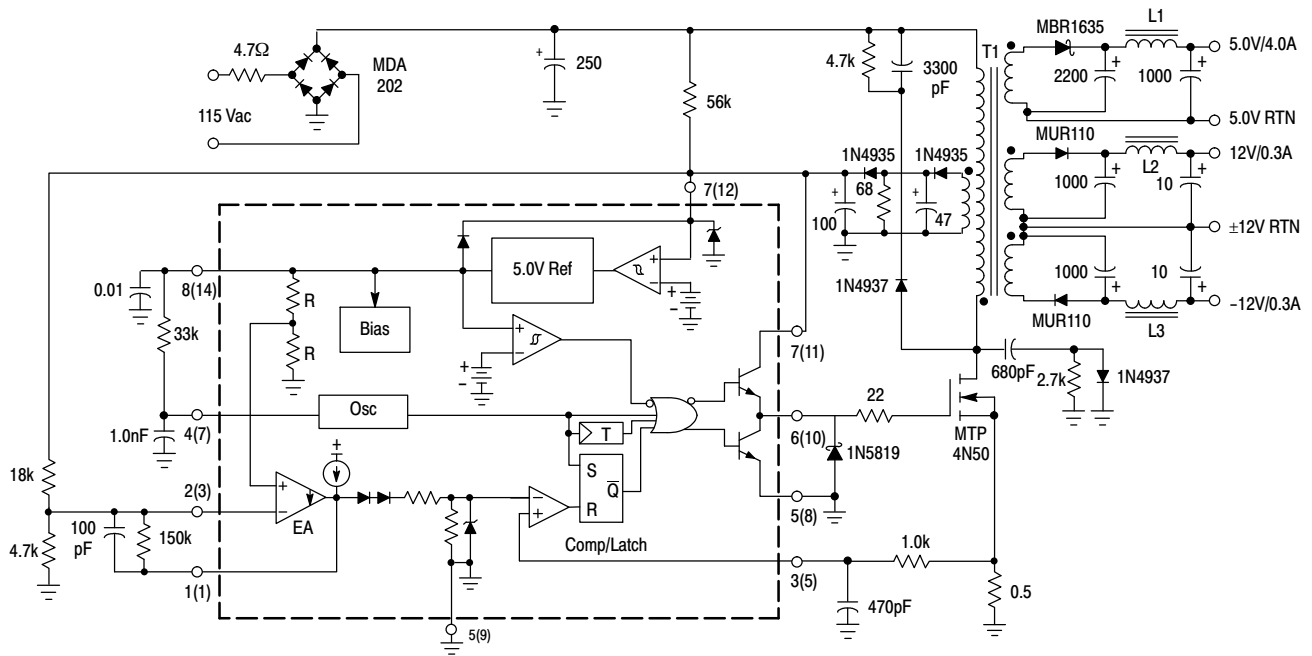
Error Amp compensation circuit for stabilizing any current mode topology except for boost and flyback converters operating with continuous inductor current.



Error Amp compensation circuit for stabilizing current mode boost and flyback topologies operating with continuous inductor current.

**Figure 29. Error Amplifier Compensation**

# UC3844B, UC3845B, UC2844B, UC2845B



T1 - Primary: 45 Turns #26 AWG  
 Secondary ±12 V: 9 Turns #30 AWG (2 Strands) Bifilar Wound  
 Secondary 5.0 V: 4 Turns (six strands) #26 Hexfilar Wound  
 Secondary Feedback: 10 Turns #30 AWG (2 strands) Bifilar Wound  
 Core: Ferroxcube EC35-3C8  
 Bobbin: Ferroxcube EC35PCB1  
 Gap:  $\approx 0.10''$  for a primary inductance of 1.0 mH

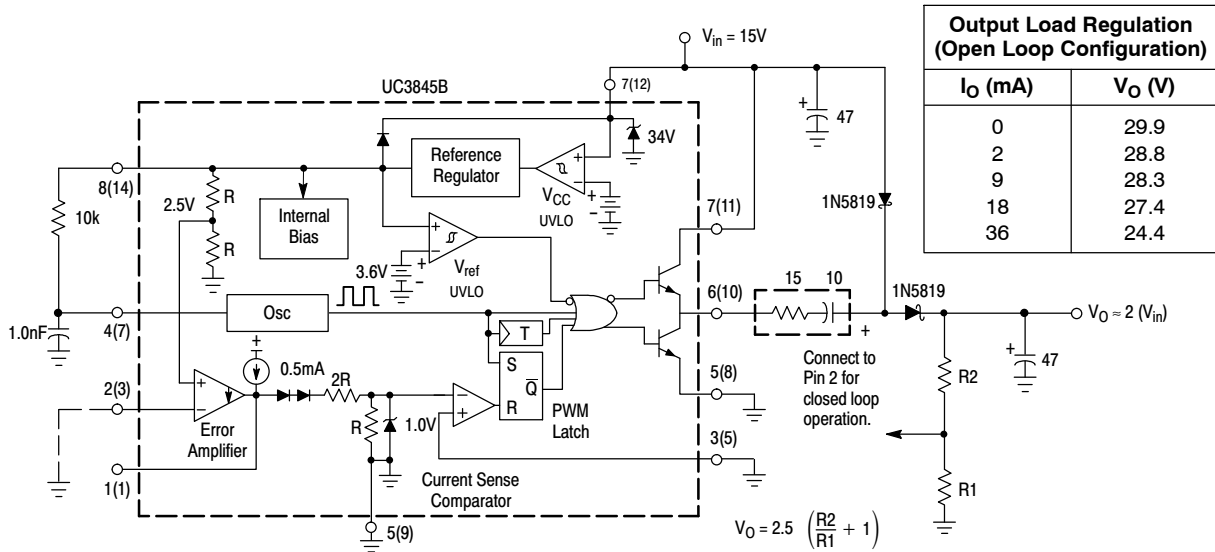
L1 - 15  $\mu$ H at 5.0 A, Coilcraft Z7156  
 L2, L3 - 25  $\mu$ H at 5.0 A, Coilcraft Z7157

Figure 30. 7 W Off-Line Flyback Regulator

| Test                            | Conditions   | Results  |
|---------------------------------|--|--|
| Line Regulation: 5.0 V<br>±12 V | $V_{in} = 95 \text{ Vac to } 130 \text{ Vac}$  | $\Delta = 50 \text{ mV or } \pm 0.5\%$<br>$\Delta = 24 \text{ mV or } \pm 0.1\%$   |
| Load Regulation: 5.0 V<br>±12 V | $V_{in} = 115 \text{ Vac, } I_{out} = 1.0 \text{ A to } 4.0 \text{ A}$<br>$V_{in} = 115 \text{ Vac, } I_{out} = 100 \text{ mA to } 300 \text{ mA}$ | $\Delta = 300 \text{ mV or } \pm 3.0\%$<br>$\Delta = 60 \text{ mV or } \pm 0.25\%$ |
| Output Ripple: 5.0 V<br>±12 V   | $V_{in} = 115 \text{ Vac}$   | 40 mV <sub>pp</sub><br>80 mV <sub>pp</sub>   |
| Efficiency                      | $V_{in} = 115 \text{ Vac}$   | 70%  |

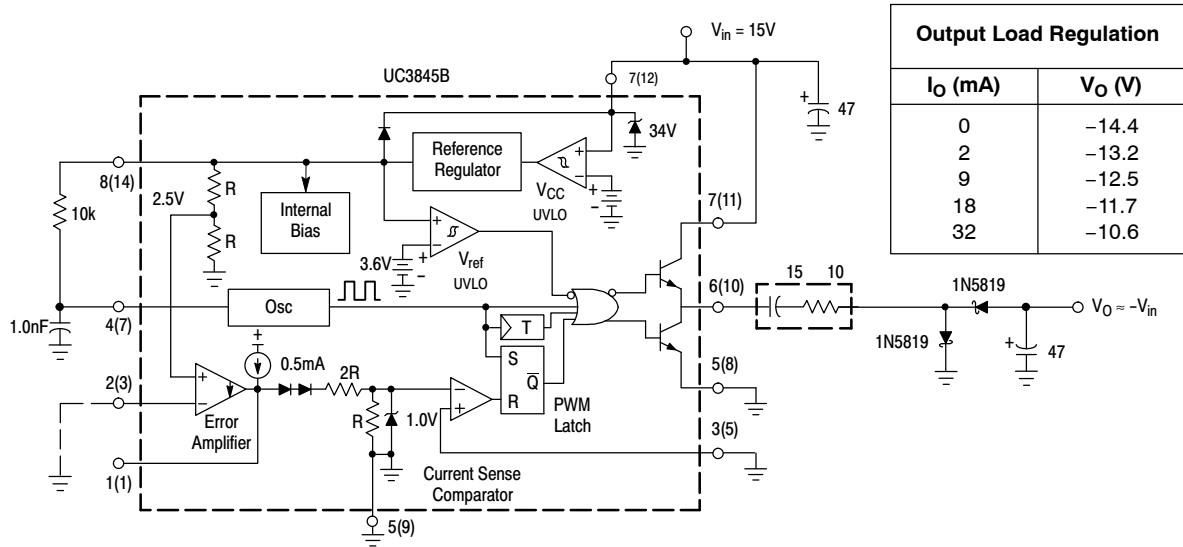
All outputs are at nominal load currents unless otherwise noted.

# UC3844B, UC3845B, UC2844B, UC2845B



The capacitor's equivalent series resistance must limit the Drive Output current to 1.0 A. An additional series resistor may be required when using tantalum or other low ESR capacitors. The converter's output can provide excellent line and load regulation by connecting the R2/R1 resistor divider as shown.

**Figure 31. Step-Up Charge Pump Converter**



The capacitor's equivalent series resistance must limit the Drive Output current to 1.0 A. An additional series resistor may be required when using tantalum or other low ESR capacitors.

**Figure 32. Voltage-Inverting Charge Pump Converter**

## UC3844B, UC3845B, UC2844B, UC2845B

### ORDERING INFORMATION

| Device          | Operating Temperature Range                      | Package              | Shipping†        |
|-----------------|--|----------------------|------------------|
| UC384xBDG       | $T_A = 0^\circ \text{ to } +70^\circ\text{C}$    | SOIC-14<br>(Pb-Free) | 55 Units/Rail    |
| UC384xBDR2G     |  | SOIC-14<br>(Pb-Free) | 2500 Tape & Reel |
| UC384xBD1G      |  | SOIC-8<br>(Pb-Free)  | 98 Units/Rail    |
| UC384xBD1R2G    |  | SOIC-8<br>(Pb-Free)  | 2500 Tape & Reel |
| UC384xBNG       |  | PDIP-8<br>(Pb-Free)  | 50 Units/Rail    |
| UC284xBDG       | $T_A = -25^\circ \text{ to } +85^\circ\text{C}$  | SOIC-14<br>(Pb-Free) | 55 Units/Rail    |
| UC284xBDR2G     |  | SOIC-14<br>(Pb-Free) | 2500 Tape & Reel |
| UC284xBD1G      |  | SOIC-8<br>(Pb-Free)  | 98 Units/Rail    |
| UC284xBD1R2G    |  | SOIC-8<br>(Pb-Free)  | 2500 Tape & Reel |
| UC284xBNG       |  | PDIP-8<br>(Pb-Free)  | 50 Units/Rail    |
| UC384xBVDG      | $T_A = -40^\circ \text{ to } +105^\circ\text{C}$ | SOIC-14<br>(Pb-Free) | 55 Units/Rail    |
| UC384xBVDR2G    |  | SOIC-14<br>(Pb-Free) | 2500 Tape & Reel |
| UC384xBVD1G     |  | SOIC-8<br>(Pb-Free)  | 98 Units/Rail    |
| UC384xBVD1R2G   |  | SOIC-8<br>(Pb-Free)  | 2500 Tape & Reel |
| UC384xBVNG      |  | PDIP-8<br>(Pb-Free)  | 50 Units/Rail    |
| NCV3845BVD1R2G* | $T_A = -40^\circ \text{ to } +125^\circ\text{C}$ | SOIC-8<br>(Pb-Free)  | 2500 Tape & Reel |

†For information on tape and reel specifications, including part orientation and tape sizes, please refer to our Tape and Reel Packaging Specifications Brochure, BRD8011/D.

x indicates either a 4 or 5 to define specific device part numbers.

\*NCV Prefix for Automotive and Other Applications Requiring Unique Site and Control Change Requirements; AEC-Q100 Qualified and PPAP Capable.

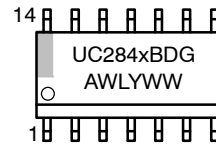
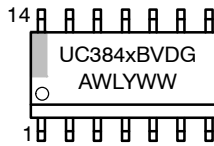
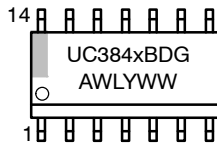
# UC3844B, UC3845B, UC2844B, UC2845B

## MARKING DIAGRAMS

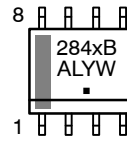
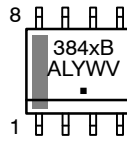
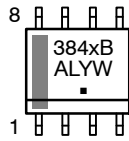
### PDIP-8 N SUFFIX CASE 626



### SOIC-14 D SUFFIX CASE 751A



### SOIC-8 D1 SUFFIX CASE 751



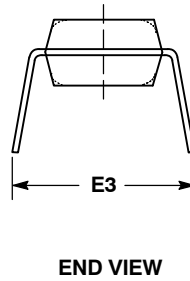
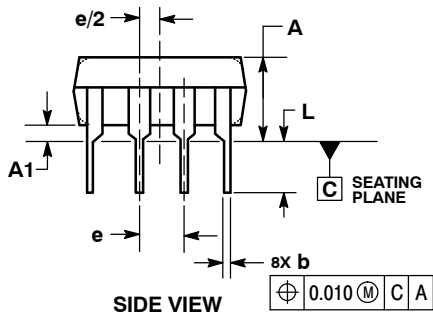
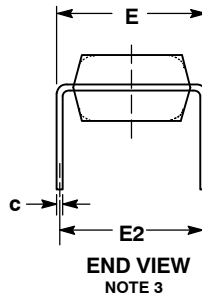
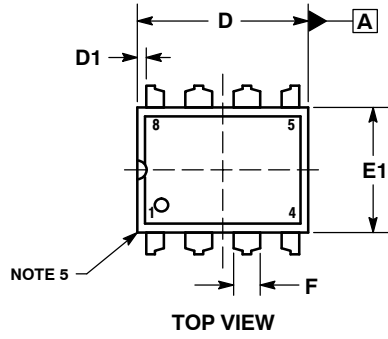
- x = 4 or 5
- A = Assembly Location
- WL, L = Wafer Lot
- YY, Y = Year
- WW, W = Work Week
- G or ■ = Pb-Free Package



# UC3844B, UC3845B, UC2844B, UC2845B

## PACKAGE DIMENSIONS

PDIP-8  
N SUFFIX  
CASE 626-05  
ISSUE M



NOTES:

1. DIMENSIONING AND TOLERANCING PER ASME Y14.5M, 1994.
2. CONTROLLING DIMENSION: INCHES.
3. DIMENSION E IS MEASURED WITH THE LEADS RESTRAINED PARALLEL AT WIDTH E2.
4. DIMENSION E1 DOES NOT INCLUDE MOLD FLASH.
5. ROUNDED CORNERS OPTIONAL.

| DIM | INCHES    |       |       | MILLIMETERS |      |       |
|-----|-----------|-------|-------|-------------|------|-------|
|     | MIN       | NOM   | MAX   | MIN         | NOM  | MAX   |
| A   | ----      | ----  | 0.210 | ----        | ---- | 5.33  |
| A1  | 0.015     | ----  | ----  | 0.38        | ---- | ----  |
| b   | 0.014     | 0.018 | 0.022 | 0.35        | 0.46 | 0.56  |
| C   | 0.008     | 0.010 | 0.014 | 0.20        | 0.25 | 0.36  |
| D   | 0.355     | 0.365 | 0.400 | 9.02        | 9.27 | 10.02 |
| D1  | 0.005     | ----  | ----  | 0.13        | ---- | ----  |
| E   | 0.300     | 0.310 | 0.325 | 7.62        | 7.87 | 8.26  |
| E1  | 0.240     | 0.250 | 0.280 | 6.10        | 6.35 | 7.11  |
| E2  | 0.300 BSC |       |       | 7.62 BSC    |      |       |
| E3  | ----      | ----  | 0.430 | ----        | ---- | 10.92 |
| e   | 0.100 BSC |       |       | 2.54 BSC    |      |       |
| L   | 0.115     | 0.130 | 0.150 | 2.92        | 3.30 | 3.81  |

# UC3844B, UC3845B, UC2844B, UC2845B

## PACKAGE DIMENSIONS

SOIC-14  
CASE 751A-03  
ISSUE H



NOTES:

1. DIMENSIONING AND TOLERANCING PER ANSI Y14.5M, 1982.
2. CONTROLLING DIMENSION: MILLIMETER.
3. DIMENSIONS A AND B DO NOT INCLUDE MOLD PROTRUSION.
4. MAXIMUM MOLD PROTRUSION 0.15 (0.006) PER SIDE.
5. DIMENSION D DOES NOT INCLUDE DAMBAR PROTRUSION. ALLOWABLE DAMBAR PROTRUSION SHALL BE 0.127 (0.005) TOTAL IN EXCESS OF THE D DIMENSION AT MAXIMUM MATERIAL CONDITION.

| DIM | MILLIMETERS |      | INCHES    |       |
|-----|-------------|------|-----------|-------|
|     | MIN         | MAX  | MIN       | MAX   |
| A   | 8.55        | 8.75 | 0.337     | 0.344 |
| B   | 3.80        | 4.00 | 0.150     | 0.157 |
| C   | 1.35        | 1.75 | 0.054     | 0.068 |
| D   | 0.35        | 0.49 | 0.014     | 0.019 |
| F   | 0.40        | 1.25 | 0.016     | 0.049 |
| G   | 1.27 BSC    |      | 0.050 BSC |       |
| J   | 0.19        | 0.25 | 0.008     | 0.009 |
| K   | 0.10        | 0.25 | 0.004     | 0.009 |
| M   | 0° - 7°     |      | 0° - 7°   |       |
| P   | 5.80        | 6.20 | 0.228     | 0.244 |
| R   | 0.25        | 0.50 | 0.010     | 0.019 |

### SOLDERING FOOTPRINT



DIMENSIONS: MILLIMETERS

# UC3844B, UC3845B, UC2844B, UC2845B

## PACKAGE DIMENSIONS

SOIC-8 NB  
CASE 751-07  
ISSUE AK



NOTES:

1. DIMENSIONING AND TOLERANCING PER ANSI Y14.5M, 1982.
2. CONTROLLING DIMENSION: MILLIMETER.
3. DIMENSION A AND B DO NOT INCLUDE MOLD PROTRUSION.
4. MAXIMUM MOLD PROTRUSION 0.15 (0.006) PER SIDE.
5. DIMENSION D DOES NOT INCLUDE DAMBAR PROTRUSION. ALLOWABLE DAMBAR PROTRUSION SHALL BE 0.127 (0.005) TOTAL IN EXCESS OF THE D DIMENSION AT MAXIMUM MATERIAL CONDITION.
6. 751-01 THRU 751-06 ARE OBSOLETE. NEW STANDARD IS 751-07.

| DIM | MILLIMETERS |      | INCHES    |       |
|-----|-------------|------|-----------|-------|
|     | MIN         | MAX  | MIN       | MAX   |
| A   | 4.80        | 5.00 | 0.189     | 0.197 |
| B   | 3.80        | 4.00 | 0.150     | 0.157 |
| C   | 1.35        | 1.75 | 0.053     | 0.069 |
| D   | 0.33        | 0.51 | 0.013     | 0.020 |
| G   | 1.27 BSC    |      | 0.050 BSC |       |
| H   | 0.10        | 0.25 | 0.004     | 0.010 |
| J   | 0.19        | 0.25 | 0.007     | 0.010 |
| K   | 0.40        | 1.27 | 0.016     | 0.050 |
| M   | 0°          | 8°   | 0°        | 8°    |
| N   | 0.25        | 0.50 | 0.010     | 0.020 |
| S   | 5.80        | 6.20 | 0.228     | 0.244 |

### SOLDERING FOOTPRINT\*



\*For additional information on our Pb-Free strategy and soldering details, please download the ON Semiconductor Soldering and Mounting Techniques Reference Manual, SOLDERRM/D.

SENSEFET is a trademark of Semiconductor Components Industries, LLC.

ON Semiconductor and are registered trademarks of Semiconductor Components Industries, LLC (SCILLC). SCILLC owns the rights to a number of patents, trademarks, copyrights, trade secrets, and other intellectual property. A listing of SCILLC's product/patent coverage may be accessed at [www.onsemi.com/site/pdf/Patent-Marking.pdf](http://www.onsemi.com/site/pdf/Patent-Marking.pdf). SCILLC reserves the right to make changes without further notice to any products herein. SCILLC makes no warranty, representation or guarantee regarding the suitability of its products for any particular purpose, nor does SCILLC assume any liability arising out of the application or use of any product or circuit, and specifically disclaims any and all liability, including without limitation special, consequential or incidental damages. "Typical" parameters which may be provided in SCILLC data sheets and/or specifications can and do vary in different applications and actual performance may vary over time. All operating parameters, including "Typicals" must be validated for each customer application by customer's technical experts. SCILLC does not convey any license under its patent rights nor the rights of others. SCILLC products are not designed, intended, or authorized for use as components in systems intended for surgical implant into the body, or other applications intended to support or sustain life, or for any other application in which the failure of the SCILLC product could create a situation where personal injury or death may occur. Should Buyer purchase or use SCILLC products for any such unintended or unauthorized application, Buyer shall indemnify and hold SCILLC and its officers, employees, subsidiaries, affiliates, and distributors harmless against all claims, costs, damages, and expenses, and reasonable attorney fees arising out of, directly or indirectly, any claim of personal injury or death associated with such unintended or unauthorized use, even if such claim alleges that SCILLC was negligent regarding the design or manufacture of the part. SCILLC is an Equal Opportunity/Affirmative Action Employer. This literature is subject to all applicable copyright laws and is not for resale in any manner.

### PUBLICATION ORDERING INFORMATION

**LITERATURE FULFILLMENT:**  
Literature Distribution Center for ON Semiconductor  
P.O. Box 5163, Denver, Colorado 80217 USA  
**Phone:** 303-675-2175 or 800-344-3860 Toll Free USA/Canada  
**Fax:** 303-675-2176 or 800-344-3867 Toll Free USA/Canada  
**Email:** [orderlit@onsemi.com](mailto:orderlit@onsemi.com)

**N. American Technical Support:** 800-282-9855 Toll Free  
USA/Canada  
**Europe, Middle East and Africa Technical Support:**  
Phone: 421 33 790 2910  
**Japan Customer Focus Center**  
Phone: 81-3-5817-1050

**ON Semiconductor Website:** [www.onsemi.com](http://www.onsemi.com)  
**Order Literature:** <http://www.onsemi.com/orderlit>

For additional information, please contact your local Sales Representative

## Данный компонент на территории Российской Федерации

### Вы можете приобрести в компании MosChip.

Для оперативного оформления запроса Вам необходимо перейти по данной ссылке:

<http://moschip.ru/get-element>

Вы можете разместить у нас заказ для любого Вашего проекта, будь то серийное производство или разработка единичного прибора.

В нашем ассортименте представлены ведущие мировые производители активных и пассивных электронных компонентов.

Нашей специализацией является поставка электронной компонентной базы двойного назначения, продукции таких производителей как XILINX, Intel (ex.ALTERA), Vicor, Microchip, Texas Instruments, Analog Devices, Mini-Circuits, Amphenol, Glenair.

Сотрудничество с глобальными дистрибьюторами электронных компонентов, предоставляет возможность заказывать и получать с международных складов практически любой перечень компонентов в оптимальные для Вас сроки.

На всех этапах разработки и производства наши партнеры могут получить квалифицированную поддержку опытных инженеров.

Система менеджмента качества компании отвечает требованиям в соответствии с ГОСТ Р ИСО 9001, ГОСТ РВ 0015-002 и ЭС РД 009

### Офис по работе с юридическими лицами:

105318, г.Москва, ул.Щербаковская д.3, офис 1107, 1118, ДЦ «Щербаковский»

Телефон: +7 495 668-12-70 (многоканальный)

Факс: +7 495 668-12-70 (доб.304)

E-mail: [info@moschip.ru](mailto:info@moschip.ru)

Skype отдела продаж:

moschip.ru

moschip.ru\_4

moschip.ru\_6

moschip.ru\_9