



Typical Applications

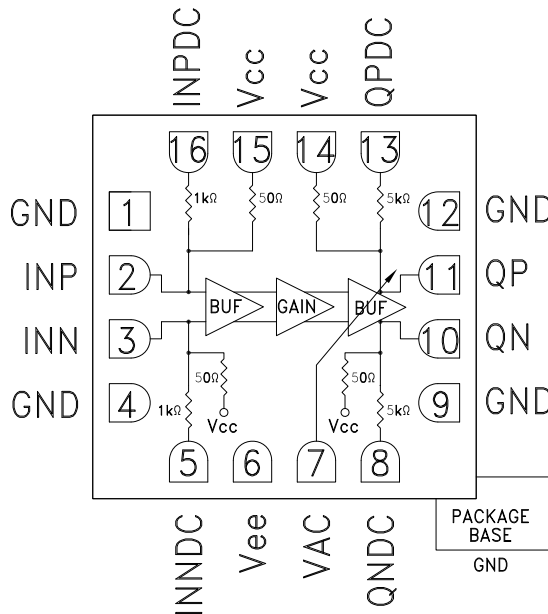
The HMC866LC3 is ideal for:

- 100 Gbps Ethernet
- 100 Gbps Long Haul
- 40 Gbps (D)QPSK Receivers
- Broadband Gain Block for Test & Measurement Equipment

Features

- Supports Data Rates up to 43 Gbps.
- Low Power Dissipation: 280 mW @ $V_{cc} = +3.3V$
- Differential Small Signal Gain: 29 dB
- Input Sensitivity: 20 mVp-p Differential
- 3-dB Bandwidth: 26.5 GHz
- Adjustable Output Voltage
Swing up to 800 mVp-p Differential
- 16 Lead 3x3mm SMT package: 9mm²

Functional Diagram



General Description

The HMC866LC3 is a Limiting Amplifier packaged in a leadless 3x3 mm ceramic surface mount package. The amplifier supports up to 43 Gbps operation and provides 29 dB of differential gain. The output voltage swing is adjustable up to 800 mVp-p differential by using the VAC analog control input and the additive RMS jitter is less than 300 fs for 32 Gbps operation. The amplifier allows external offset correction function to both inputs and outputs.

All input/output RF signals of the HMC866LC3 are terminated with 50 Ohms to +3.3V internally and may be either AC or DC coupled. The outputs of the device can be operated either differentially or single-ended. Outputs can be connected directly to 50 Ohm terminated system referenced to 3.3V, while DC blocking capacitors may be used if the terminating system is 50 Ohms to a non 3.3V level.

Electrical Specifications, $T_A = +25^\circ C$, $V_{cc} = +3.3V$, $V_{ee} = 0V$, $I_{cc} = 85mA$

| Parameter | Conditions | Min. | Typ. | Max. | Units |
|--------------------------------|-------------------------|------|-------|------|-------|
| Differential Small Signal Gain | VAC = 1.6V | | 29 | | dB |
| Data Rate | | 32 | | | Gbps |
| Small Signal Bandwidth | 3-dB cutoff | | 26.5 | | GHz |
| Input Return Loss | Up to 26.5 GHz | 10 | | | dB |
| Output Return Loss | Up to 26.5 GHz | 10 | | | dB |
| Input Sensitivity | Differential | | 20 | | mVp-p |
| Maximum Input Swing | Differential | | 1,000 | | mVp-p |
| Differential Output Swing | Adjustable by using VAC | 250 | | 800 | mVpp |
| Rise Time [1] | 20% - 80% @ 32 Gbps | | 13 | | ps |

[1] Vin = Differential 50 mVp-p, fin = 32 Gbps PRBS 2²³-1 pattern

Information furnished by Analog Devices is believed to be accurate and reliable. However, no responsibility is assumed by Analog Devices for its use, nor for any infringements of patents or other rights of third parties that may result from its use. Specifications subject to change without notice. No license is granted by implication or otherwise under any patent or patent rights of Analog Devices. Trademarks and registered trademarks are the property of their respective owners.

For price, delivery, and to place orders: Analog Devices, Inc., One Technology Way, P.O. Box 9106, Norwood, MA 02062-9106
Phone: 781-329-4700 • Order online at www.analog.com
Application Support: Phone: 1-800-ANALOG-D



Electrical Specifications (Continued)

| Parameter | Conditions | Min. | Typ. | Max. | Units |
|------------------------------|-------------------------------|------|------|------|---------|
| Fall Time [1] | 20% - 80% @ 32 Gbps | | 13 | | ps |
| Additive Random Jitter [2] | Vin = 50 mVp-p (Differential) | | | 300 | fs |
| Input referred voltage noise | @ 15 GHz | | 32 | | nV/rtHz |
| | @ 25 GHz | | 32 | | nV/rtHz |
| VAC Input | | 1 | | 1.6 | V |
| Output P1dB | @ 16 GHz | | -6 | | dBm |
| Power Supply Voltage | | 3.13 | 3.3 | 3.47 | V |
| Supply Current | VAC = 1.6V | | 85 | | mA |

[1] Vin = Differential 50 mVp-p, fin = 32 Gbps PRBS 2²³-1 pattern

[2] Random jitter is measured with 32 Gbps 10101... pattern

Differential Gain & Return Loss vs. Frequency [1][2]



Differential Output vs. Supply Voltage [1]



Differential Output vs. Control Voltage [2]



Differential Output vs. Vininput & Temperature @ 16 GHz [1][2]



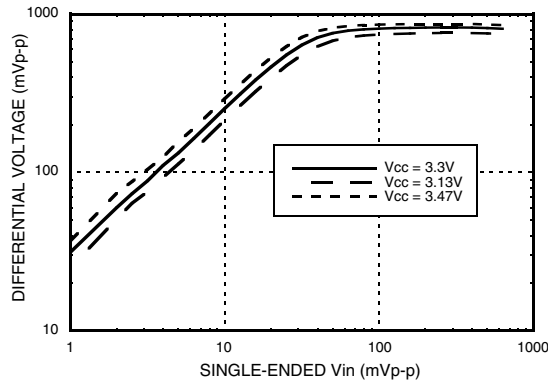
[1] VAC = 1.6V [2] Vcc = 3.3V



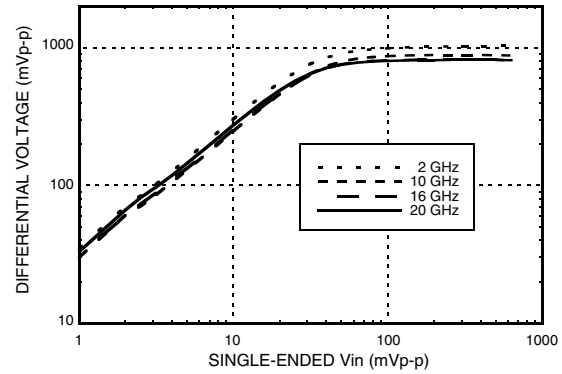
32 Gbps LIMITING AMPLIFIER

LIMITING AMPLIFIERS - SMT

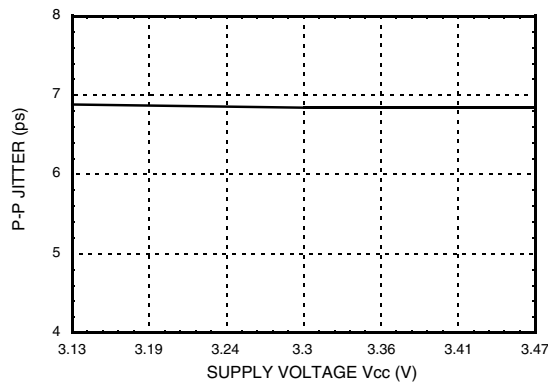
Differential Output vs. Vininput & Supply Voltage @ 16 GHz [1]



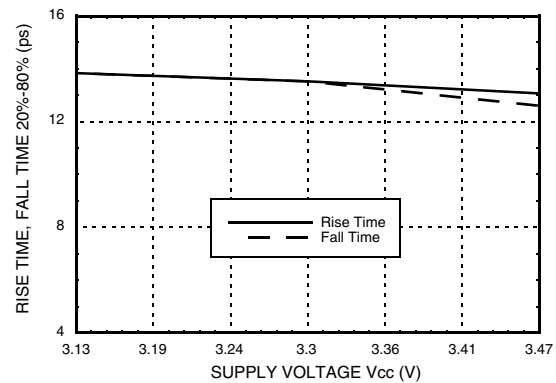
Differential Output vs. Vininput & Frequency [1] [2]



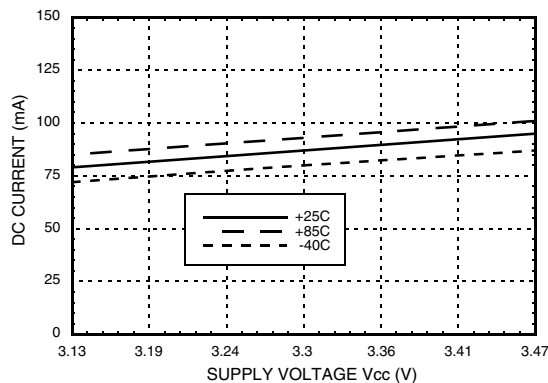
Peak to Peak Jitter vs. Supply Voltage [1][3]



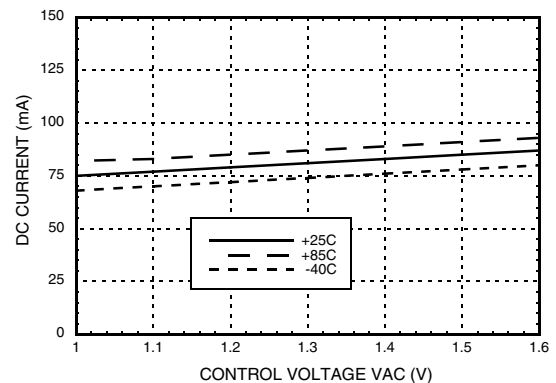
Rise & Fall Time vs. Supply Voltage [1][3]



DC Current vs. Supply Voltage [1][3]



DC Current vs. Control Voltage [2][3]



[1] VAC = 1.6V [2] Vcc = 3.3V [3] Input Data: Differential 50 mVp-p 32 Gbps NRZ PRBS 2²³-1 pattern

Information furnished by Analog Devices is believed to be accurate and reliable. However, no responsibility is assumed by Analog Devices for its use, nor for any infringements of patents or other rights of third parties that may result from its use. Specifications subject to change without notice. No license is granted by implication or otherwise under any patent or patent rights of Analog Devices. Trademarks and registered trademarks are the property of their respective owners.

For price, delivery, and to place orders: Analog Devices, Inc., One Technology Way, P.O. Box 9106, Norwood, MA 02062-9106 Phone: 781-329-4700 • Order online at www.analog.com Application Support: Phone: 1-800-ANALOG-D



32 Gbps LIMITING AMPLIFIER

32 Gbps Output Eye Diagram



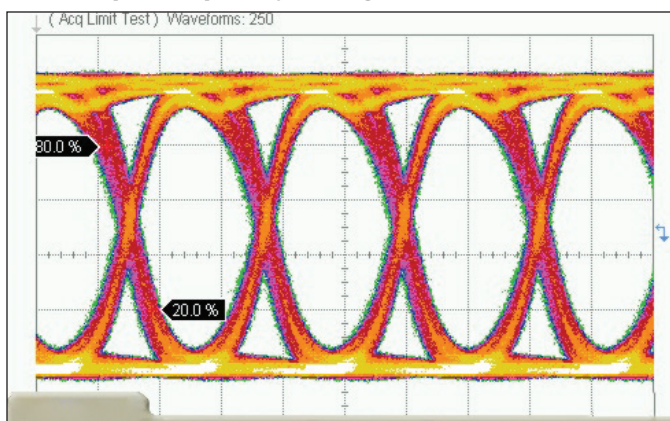
| Measurements | | | | |
|--------------|----------|----------|----------|------------|
| | Current | Minimum | Maximum | Total Meas |
| Eye Amp | 383 mV | 383 mV | 384 mV | 69 |
| Jitter p-p | 6.378 ps | 5.289 ps | 6.378 ps | 69 |
| Rise Time | 13.22 ps | 13.07 ps | 13.53 ps | 69 |
| Fall Time | 13.22 ps | 10.11 ps | 13.53 ps | 69 |

Time Scale: 7 ps/div
Amplitude Scale: 100 mV/div

Test Conditions:

VAC = 1.6V, Vcc = 3.3V
Input Data: Differential 50 mVp-p 32 Gbps NRZ PRBS 2²³-1 pattern

22.5 Gbps Output Eye Diagram



| Measurements | | | | |
|--------------|----------|----------|----------|------------|
| | Current | Minimum | Maximum | Total Meas |
| Eye Amp | 403 mV | 402 mV | 404 mV | 83 |
| Jitter p-p | 8.889 ps | 7.111 ps | 8.889 ps | 83 |
| Rise Time | 13.33 ps | 13.33 ps | 13.78 ps | 83 |
| Fall Time | 14.22 ps | 13.78 ps | 15.11 ps | 83 |

Time Scale: 20 ps/div
Amplitude Scale: 81.3 mV/div

Test Conditions:

VAC = 1.6V, Vcc = 3.3V
Input Data: Differential 50 mVp-p 22.5 Gbps NRZ PRBS 2²³-1 pattern

40 Gbps Output Eye Diagram



| Measurements | | | | |
|--------------|----------|----------|----------|------------|
| | Current | Minimum | Maximum | Total Meas |
| Eye Amp | 351 mV | 351 mV | 352 mV | 62 |
| Jitter p-p | 6.222 ps | 5.333 ps | 6.222 ps | 62 |
| Rise Time | 11.56 ps | 11.33 ps | 11.56 ps | 62 |
| Fall Time | 11.78 ps | 11.56 ps | 12.00 ps | 62 |

Time Scale: 10 ps/div
Amplitude Scale: 80.1 mV/div

Test Conditions:

VAC = 1.6V, Vcc = 3.3V
Input Data: Differential 80 mVp-p 40 Gbps NRZ PRBS 2²³-1 pattern

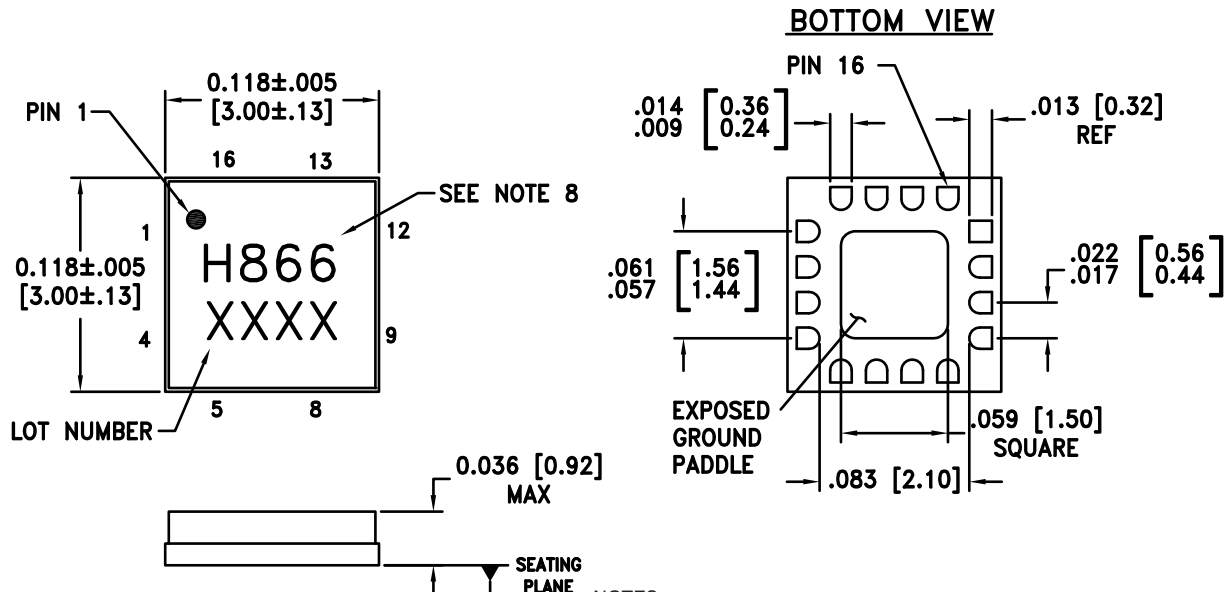

32 Gbps LIMITING AMPLIFIER
Absolute Maximum Ratings

| | |
|--|------------------------------|
| Power Supply Voltage (Vcc) | -0.5V to +3.6V |
| Input Voltage | (Vcc -1.3V) to (Vcc +0.5) |
| Output Voltage | (Vcc -1V) to (Vcc +0.5) |
| Output Amplitude Control Voltage (VAC) | -0.5V to +2.5V |
| Junction Temperature | 125 °C |
| Continuous P _{diss} (T = 85°C) (Derate 12.22 mW/°C above 85°C) | 0.49W |
| Thermal Resistance (R _{th}) (junction to ground paddle) | 81.83 °C/W |
| Storage Temperature | -65 to 125 °C |
| Operating Temperature | -40 to +85 °C |
| ESD Sensitivity (HBM) | Class 1A |


**ELECTROSTATIC SENSITIVE DEVICE
OBSERVE HANDLING PRECAUTIONS**



Outline Drawing



- NOTES:
1. PACKAGE BODY MATERIAL: ALUMINA
 2. LEAD AND GROUND PADDLE PLATING: 30-80 MICROINCHES GOLD OVER 50 MICROINCHES MINIMUM NICKEL.
 3. DIMENSIONS ARE IN INCHES [MILLIMETERS].
 4. LEAD SPACING TOLERANCE IS NON-CUMULATIVE.
 5. CHARACTERS TO BE BLACK INK MARKED WITH .018"MIN TO .030"MAX HEIGHT REQUIREMENTS. UTILIZE MAXIMUM CHARACTER HEIGHT BASED ON LID DIMENSIONS AND BEST FIT. LOCATE APPROX. AS SHOWN.
 6. PACKAGE WARP SHALL NOT EXCEED 0.05MM DATUM -C-
 7. ALL GROUND LEADS AND GROUND PADDLE MUST BE SOLDERED TO PCB RF GROUND.
 8. PART NUMBER MARKING CONFIGURATION:
HXXX FOR 3 DIGIT HMC #'S (IE. H123)
XXXX FOR 4 DIGIT HMC #'S (IE. 1234)

Package Information

| Part Number | Package Body Material | Lead Finish | MSL Rating | Package Marking [2] |
|-------------|-----------------------|------------------|------------|---------------------|
| HMC866LC3 | Alumina, White | Gold over Nickel | MSL3 [1] | H866 XXXX |

[1] Max peak reflow temperature of 260 °C
[2] 4-Digit lot number XXXX



Pin Descriptions

| Pin Number | Function | Description | Interface Schematic |
|-------------|--------------|---|---------------------|
| 1, 4, 9, 12 | GND | Signal grounds should be connected to 0V. | |
| 2, 3 | INP, INN | Data Inputs | |
| 5, 16 | INNDC, INPDC | DC Offset Inputs | |
| 6 | Vee | Supply grounds should be connected to 0V. | |
| 7 | VAC | Output amplitude control voltage | |
| 8, 13 | QNDC, QPDC | DC monitor outputs. | |

Information furnished by Analog Devices is believed to be accurate and reliable. However, no responsibility is assumed by Analog Devices for its use, nor for any infringements of patents or other rights of third parties that may result from its use. Specifications subject to change without notice. No license is granted by implication or otherwise under any patent or patent rights of Analog Devices. Trademarks and registered trademarks are the property of their respective owners.

For price, delivery, and to place orders: Analog Devices, Inc., One Technology Way, P.O. Box 9106, Norwood, MA 02062-9106
 Phone: 781-329-4700 • Order online at www.analog.com
 Application Support: Phone: 1-800-ANALOG-D



Pin Descriptions (Continued)

| Pin Number | Function | Description | Interface Schematic |
|---------------|----------|---|---------------------|
| 10, 11 | QN, QP | Data outputs. | |
| 14, 15 | Vcc | Positive Supply | |
| Ground Paddle | GND | Ground paddle must be connected to DC ground. | |



Evaluation PCB



List of Materials for Evaluation PCB EVAL01-HMC866LC3 [1]

| Item | Description |
|--------------------------|----------------------------------|
| J1 - J8 | DC Pin |
| J9 - J12 | K-type Connector |
| C1, C3, C5, C7, C11, C13 | 0.1 μ F Capacitor, 0603 Pkg. |
| C2, C4, C6, C8, C12, C14 | 1000 pF Capacitor, 0603 Pkg. |
| C16, C18, C22 | 4.7 μ F Capacitor, Tantalum |
| R1, R2, R4, R6, R7 | 0 Ohm Resistor, 0402 Pkg. |
| R8 | 0 Ohm Resistor, 0603 Pkg. |
| U1 | HMC866LC3C Limiting Amplifier |
| PCB [2] | 126150 Evaluation PCB |

The circuit board used in the application should use RF circuit design techniques. Signal lines should have 50 Ohm impedance while the package ground leads and exposed paddle should be connected directly to the ground plane similar to that shown. A sufficient number of via holes should be used to connect the top and bottom ground planes. The evaluation circuit board shown is available from Hittite upon request.

[1] Reference this number when ordering complete evaluation PCB

[2] Circuit Board Material: Arlon 25FR or Rogers 4350



Application Circuit



| Component | Value |
|--------------------------|--------|
| C2, C4, C6, C8, C12, C14 | 1 nF |
| C1, C3, C5, C7, C11, C13 | 0.1 μF |
| C16, C18 - C22 | 4.7 μF |



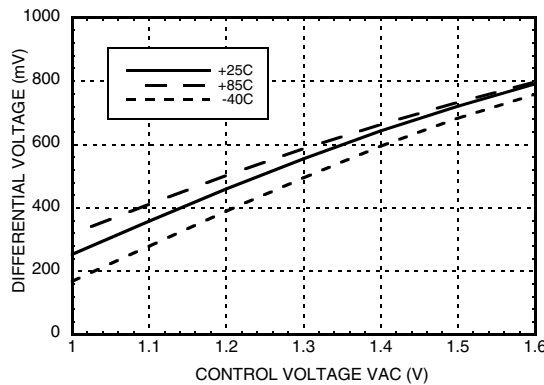
32 Gbps LIMITING AMPLIFIER

Application Information

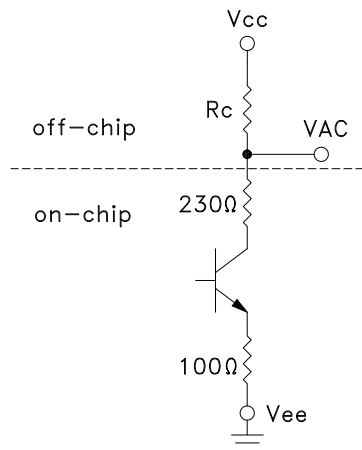
Setting the output swing using external resistor Rc

The HMC866LC3 features output swing level adjustment by using VAC pin. Output swing can be adjusted to the desired level by applying a DC voltage to VAC pin. Differential output swing vs. control voltage relationship is given in the plot below.

Differential Output vs. Control Voltage



In order to adjust the DC voltage on VAC pin a resistor, Rc, should be connected between VAC pin and VCC as shown in the figure below.



The value of the resistor can be chosen using the following equation as a function of VAC. VAC DC voltage value can be chosen by using the plot given above.

$$R_c = \frac{330(V_{CC} - V_{AC})}{V_{AC} - 0.86}$$



Данный компонент на территории Российской Федерации

Вы можете приобрести в компании MosChip.

Для оперативного оформления запроса Вам необходимо перейти по данной ссылке:

<http://moschip.ru/get-element>

Вы можете разместить у нас заказ для любого Вашего проекта, будь то серийное производство или разработка единичного прибора.

В нашем ассортименте представлены ведущие мировые производители активных и пассивных электронных компонентов.

Нашей специализацией является поставка электронной компонентной базы двойного назначения, продукции таких производителей как XILINX, Intel (ex.ALTERA), Vicor, Microchip, Texas Instruments, Analog Devices, Mini-Circuits, Amphenol, Glenair.

Сотрудничество с глобальными дистрибьюторами электронных компонентов, предоставляет возможность заказывать и получать с международных складов практически любой перечень компонентов в оптимальные для Вас сроки.

На всех этапах разработки и производства наши партнеры могут получить квалифицированную поддержку опытных инженеров.

Система менеджмента качества компании отвечает требованиям в соответствии с ГОСТ Р ИСО 9001, ГОСТ РВ 0015-002 и ЭС РД 009

Офис по работе с юридическими лицами:

105318, г.Москва, ул.Щербаковская д.3, офис 1107, 1118, ДЦ «Щербаковский»

Телефон: +7 495 668-12-70 (многоканальный)

Факс: +7 495 668-12-70 (доб.304)

E-mail: info@moschip.ru

Skype отдела продаж:

moschip.ru

moschip.ru_4

moschip.ru_6

moschip.ru_9