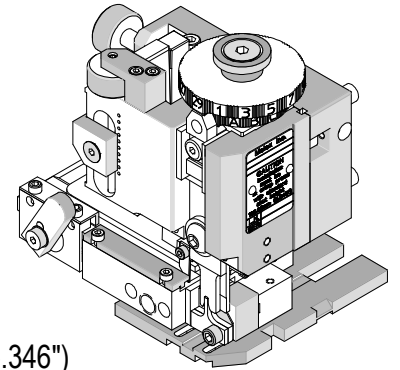




Mini-Mac Applicator Specification Sheet Order No. 63888-2200



FEATURES

- Directly adapts to most automatic wire processing machines
- Applicator designed to industry standard mounting and shut height 135.80mm (5.346")
- Quick set-up time; plus the crimp height, track and feed adjustments can be set without removing the applicator from the press
- Fine adjustment allows users to achieve target with little effort by adjusting in increments of .015mm (.0006") for conductor crimp height and .063mm (.0025") for insulation height
- Independent adjustment rings allow users to quickly adjust the conductor or insulation crimp height without affecting each other

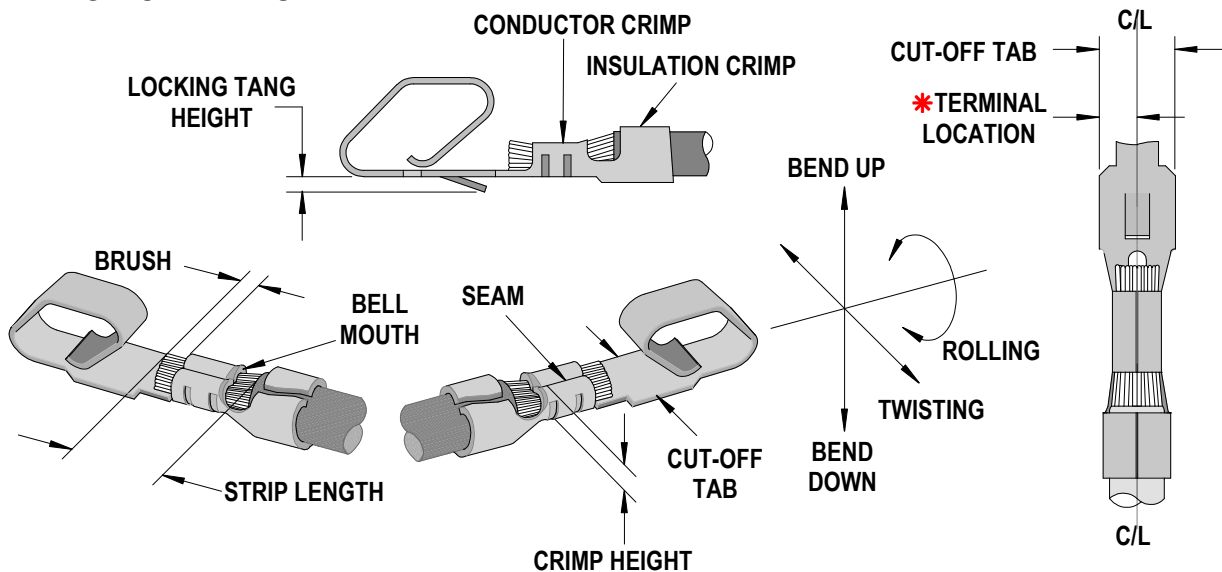
SCOPE

Products: Mini KK® .100 Center Crimp Terminals 26-28 AWG.

| Terminal Series No. | Terminal Order No. | | Wire Size | | Insulation Diameter | | | | Strip Length | |
|---------------------|--------------------|------------|-----------|-----------|---------------------|-----------------|-------------|-----------|--------------|-----------|
| | | | | | IPC/WHMA-A620 ♦ | | Terminal ♦♦ | | | |
| | | | | | AWG | mm ² | mm | In. | | |
| 6459 | 50-30-4473 | 50-30-4483 | 26-28 | 0.13-0.08 | 1.19-1.30 | .047-.051 | 1.19-1.30 | .047-.051 | 2.54-3.18 | .100-.125 |
| | 50-30-4474 | 50-30-4484 | | | | | | | | |
| | 50-30-4475 | 50-30-4485 | | | | | | | | |
| | 50-30-4479 | | | | | | | | | |

♦ To achieve optimum IPC-A620 insulation crimps, use this insulation OD range.
♦♦ Overall insulation OD specification for terminal. Note: Terminal will accommodate the UL1007 wires.

DEFINITION OF TERMS



* Terminal is to be centrally located between the two (2) cut-off edges by 1/2 of the total cut-off tab tolerance.

CRIMP SPECIFICATIONS

| Terminal Series No. | Bell mouth | | *Cut-off Tab | | Conductor Brush | |
|---------------------|------------|-----------|--------------|-----------|-----------------|-----------|
| | mm | In. | mm | In. | mm | In. |
| 6459 | 0.20-0.50 | .008-.020 | 1.85-1.98 | .073-.078 | .00-1.00 | .000-.040 |

| Terminal Series No. | Locking Tang Height | | Bend up | Bend down | Twist | Roll | Punch Width (Ref) | | | | Seam Seam shall not be open and no wire allowed out of the crimping area. |
|---------------------|---------------------|-----------|---------|-----------|-------|------|-------------------|------|------------|------|--|
| | mm | In | Degree | Degree | mm | In | Conductor | | Insulation | | |
| | | | | | | | mm | In | mm | In | |
| 6459 | 0.51-0.64 | .020-.025 | 3 | 3 | 4 | 8 | 1.10 | .043 | 1.60 | .063 | |

After crimping, the conductor profile should measure the following.

| Terminal Series No. | Wire Size | | Crimp Height | | Crimp Width (Ref) | | Pull Force Minimum | |
|---------------------|-----------|-----------------|--------------|-----------|-------------------|------|--------------------|-----|
| | AWG | mm ² | mm | In. | mm | In. | N | Lb. |
| 6459 | 26 | 0.13 | 0.61-0.66 | .024-.026 | 1.15 | .045 | 17.8 | 4.0 |
| | 28 | 0.08 | 0.57-0.62 | .022-.024 | 1.15 | .045 | 13.3 | 3.0 |

Pull Force should be measured with no influence from the insulation crimp.
The above specifications are guidelines to an optimum crimp.

PARTS LIST

| Mini-Mac Applicator 63888-2200 | | | | |
|--|-----------------|------------------------|---------------------------------|-----------------|
| Item | Order No | Engineering No. | Description | Quantity |
| Perishable Tooling | | | | |
| | 63888-2270 | 63888-2270 | Tool Kit (All "Y" Items) | REF |
| 1 | 638910031 | 638910031 | Conductor Punch | 1 Y |
| 2 | 638910081 | 638910081 | Conductor Anvil | 1 Y |
| 3 | 63891-0030 | 63891-0030 | Insulation Punch | 1 Y |
| 4 | 63891-0080 | 63891-0080 | Insulation Anvil | 1 Y |
| 5 | 11-18-4009 | 60703-11 | Cut-Off Punch | 1 Y |
| 6 | 11-18-4468 | 60703-19 | Cut-off Insert | 1 Y |
| Other Components | | | | |
| 7 | 11-18-4001 | 60703-3 | Cover Plate | 1 |
| 8 | 11-18-4003 | 60703-5 | Front Cover | 1 |
| 9 | 11-18-4004 | 60703-6 | Insulation Punch Spacer | 1 |
| 10 | 11-18-4006 | 60703-8 | Stripper Blade Holder | 1 |
| 11 | 11-18-4332 | 60703-16 | Stripper | 1 |
| 12 | 11-18-4469 | 60703-20 | Retainer Block | 1 |
| 13 | 11-40-4085 | 8301-10 | Terminal Stop and Scrape Shield | 1 |
| 14 | 63803-5117 | 63803-5117 | Conductor Bushing | 1 |
| 15 | 63820-0001 | 63820-0001 | Cover-Drag Frame | 1 |
| Frame | | | | |
| 16 | 63801-3201 | 63801-3201 | Top | 1 |
| 17 | 63801-3283 | 63801-3283 | Base | 1 |
| 18 | 63801-6550 | 63801-6550 | Track | 1 |
| Hardware | | | | |
| 19 | N/A | N/A | M3 by 6 Long SHCS | 2** |
| 20 | N/A | N/A | M3 by 8 Long SHCS | 2** |
| 21 | N/A | N/A | M4 by 6 Long SHCS | 2** |
| 22 | N/A | N/A | M4 by 12 Long BHCS | 2** |
| 23 | N/A | N/A | M5 by 10 Long SHCS | 1** |
| 24 | N/A | N/A | M8 by 20 Long BHCS | 1** |
| 25 | N/A | N/A | #4-40 by .19" Long SHCS | 2** |
| 26 | N/A | N/A | #6-32 by 3/8" Long BHCS | 2** |
| 27 | N/A | N/A | #10-32 by 1.120" Long SHCS | 1** |
| ** Available from an industrial supply company such as MSC (1-800-645-7270). | | | | |

Assembly Drawing

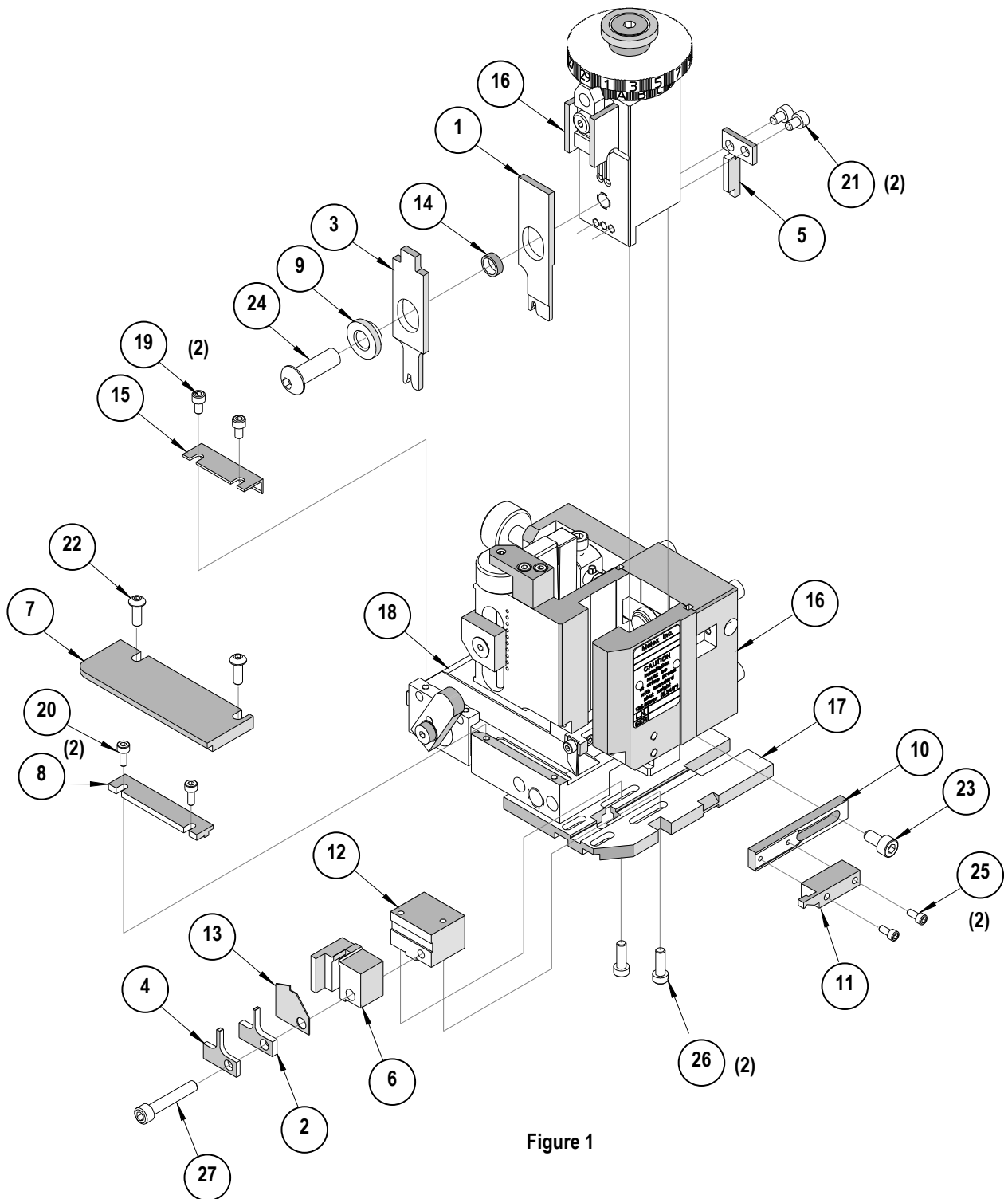


Figure 1

NOTES

1. Molex recommends an extra perishable tooling kit be maintained at your facility.
2. Verify tooling alignment by manually cycling the press and Applicator before crimping under power. Check that all screws are tight.
3. Slugs, Terminals, Dirt and Oil should be kept clear of work area.
4. Wear safety glasses at all times.
5. For recommended maintenance refer to the Mini-Mac Manual.

CAUTION: This applicator should only be used in a press with a shut height of 135.8 mm (5.346"). Tooling damage could result at a lower setting.

CAUTION: To prevent injury never operate this Applicator without the guards supplied with the press or wire-processing machine in place. Reference the press or wire processing manufacturer's instruction manual.

CAUTION: Molex crimp specifications are valid only when used with Molex terminals, applicators and tooling.

Americas Headquarters
Lisle, Illinois 60532 U.S.A.
1-800-78MOLEX
amerinfo@molex.com

Far East North Headquarters
Yamato, Kanagawa, Japan
81-462-65-2324
feninfo@molex.com

Far East South Headquarters
Jurong, Singapore
65-6-268-6868
fesinfo@molex.com

European Headquarters
Munich, Germany
49-89-413092-0
eurinfo@molex.com

Corporate Headquarters
2222 Wellington Ct.
Lisle, IL 60532 U.S.A.
630-969-4550
Fax: 630-969-1352

Visit our Web site at <http://www.molex.com>

Данный компонент на территории Российской Федерации

Вы можете приобрести в компании MosChip.

Для оперативного оформления запроса Вам необходимо перейти по данной ссылке:

<http://moschip.ru/get-element>

Вы можете разместить у нас заказ для любого Вашего проекта, будь то серийное производство или разработка единичного прибора.

В нашем ассортименте представлены ведущие мировые производители активных и пассивных электронных компонентов.

Нашей специализацией является поставка электронной компонентной базы двойного назначения, продукции таких производителей как XILINX, Intel (ex.ALTERA), Vicor, Microchip, Texas Instruments, Analog Devices, Mini-Circuits, Amphenol, Glenair.

Сотрудничество с глобальными дистрибьюторами электронных компонентов, предоставляет возможность заказывать и получать с международных складов практически любой перечень компонентов в оптимальные для Вас сроки.

На всех этапах разработки и производства наши партнеры могут получить квалифицированную поддержку опытных инженеров.

Система менеджмента качества компании отвечает требованиям в соответствии с ГОСТ Р ИСО 9001, ГОСТ РВ 0015-002 и ЭС РД 009

Офис по работе с юридическими лицами:

105318, г.Москва, ул.Щербаковская д.3, офис 1107, 1118, ДЦ «Щербаковский»

Телефон: +7 495 668-12-70 (многоканальный)

Факс: +7 495 668-12-70 (доб.304)

E-mail: info@moschip.ru

Skype отдела продаж:

moschip.ru

moschip.ru_4

moschip.ru_6

moschip.ru_9