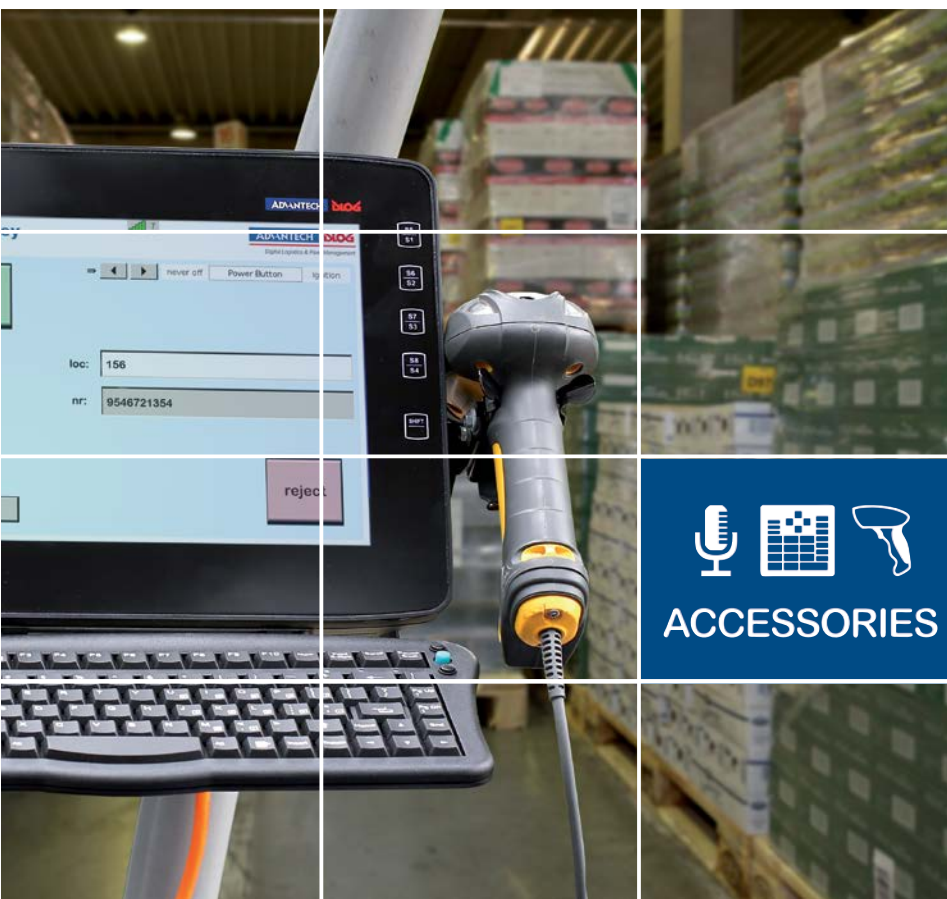


## Accessories Catalog



### DLT-V83 Series

Terminal Mountings

Antennas

Keyboards

Touch Stylus

Scanner Mountings

Screen Protection Foils

  
ACCESSORIES

Catalog V2.01

The software and hardware designations as well as the brand names used in this catalog are in most cases also registered trademarks and are subject to the international law (trademark, brand and protection laws).

We recognize all national and international trademarks and product names.

RAM® and RAM Mount™ are both trademarks of National Products Inc., 1205 S. Orr Street, Seattle, WA 98108.

Bluetooth® is a registered trademark of Bluetooth SIG, Inc. (Special Interest Group).

We reserve the right to modify the contents of this catalog at any time and without prior notice.

DLoG GmbH assumes no liability for technical inaccuracies, Typographic errors or faults in this catalog.

DLoG GmbH also assumes no liability for damages caused directly or indirectly by the delivery, performance or usage of this material.

This catalog is protected by copyright. Duplication, in whole or in part, is not permitted without prior written approval of DLoG GmbH.

Catalog title:	Accessories Catalog DLT-V83 Series
Catalog completed on:	April 13, 2018
Catalog version:	V2.01

© Copyright 2015-2018

(+49) 89 / 41 11 91 0

DLoG GmbH

Industriestraße 15

D-82110 Germering

GERMANY

All rights reserved

[info@advantech-dlog.com](mailto:info@advantech-dlog.com)

[www.advantech-dlog.com](http://www.advantech-dlog.com)

<b>1.</b>	<b>TERMINAL MOUNTINGS</b> .....	<b>4</b>
1.1.	Operation Classes Definition 5M3, 5M2 and 5M1 .....	4
1.2.	Mounting Bracket .....	5
1.3.	RAM-Mount short, Ball 2,25" .....	6
1.4.	RAM-Mount long, Ball 2,25" .....	7
1.5.	RAM-Mount double, Ball 1,5" .....	8
1.6.	RAM-Mount double, Ball 1,5", Tube Mounting .....	9
1.7.	Clamp mount small .....	11
1.8.	Clamp mount maxi .....	12
1.9.	Clamp mount adapter low .....	13
1.10.	Clamp mount adapter high .....	14
1.11.	Adapter for Reusing MPC 6 Mobile Mounting Bracket .....	15
1.12.	Adapter for Reusing MPC 6 Stationary Mounting Bracket .....	16
<b>2.</b>	<b>ANTENNA SOLUTIONS</b> .....	<b>17</b>
2.1.	Integrated Low Profile WLAN Antenna, red/grey/blue .....	17
2.2.	Integrated WLAN, WWAN and GPS Antenna .....	18
2.3.	External WLAN Antenna Kit, Remote .....	19
2.4.	External WLAN, WWAN, GPS Antenna Kit, Remote (Bundle) .....	20
2.5.	External WWAN Antenna, Remote .....	21
2.6.	External GPS Receiver .....	22
<b>3.</b>	<b>EXTERNAL KEYBOARDS</b> .....	<b>23</b>
3.1.	24-key keyboard with mounting .....	23
3.1.1.	Technical data .....	23
3.1.2.	Front mounting for 24-key keyboard .....	24
3.1.3.	Side mounting right for 24-key keyboard .....	25
3.2.	SMALL keyboard with mounting .....	26
3.2.1.	Technical data SMALL keyboard .....	26
3.2.2.	Front mounting for SMALL keyboard .....	27
<b>4.</b>	<b>TOUCH STYLUS</b> .....	<b>28</b>
<b>5.</b>	<b>SCANNER MOUNTINGS</b> .....	<b>29</b>
<b>6.</b>	<b>SCREEN PROTECTION FOIL</b> .....	<b>31</b>
6.1.	Screen Protection Foil Standard .....	31
6.2.	Screen Protection Foil Interference suppression, high gloss .....	31
6.3.	Screen Protection Foil PCT full front film .....	31

# 1. TERMINAL MOUNTINGS

## 1.1. Operation Classes Definition 5M3, 5M2 and 5M1

This catalog shows the mounting solutions for the DLT-V83 Industrial PCs. It specifies whether the listed mounting solutions are suitable for mobile use, restricted mobile use or stationary use. These uses correspond to the operation classes 5M3, 5M2 and 5M1 for mechanical environmental conditions.

The following standards offer a practical means of reference:

- DIN EN 60721-3-5: 1998 classification of environmental conditions, part 3, section 5: Use on and in ground vehicles.
- Military standard MIL-STD 810F: 2000.

### 5M3: Mobile use

Operational environments with **high** energy vibrations and **high** energy shocks as well as **rough** handling/transport compliant with:

- Operation class **5M3** according to DIN EN 60721-3-5 or equivalent.
- Category **US Highway Truck** according to MIL-STD 810F.
- Examples: Vehicles without shock absorption: Forklifts, unbalanced machines: Combustion engine of a construction machine.

### 5M2: Restricted mobile use

Operational environments with **low** energy vibrations and **high** energy shocks as well as **careful** handling/transport compliant with:

- Operation class **5M2** according to DIN EN 60721-3-5 or equivalent.
- Category **US Highway Truck** according to MIL-STD 810F.
- Examples: Vehicles with shock absorption: Driver's cab in a tractor, standing machines: Machine tools.

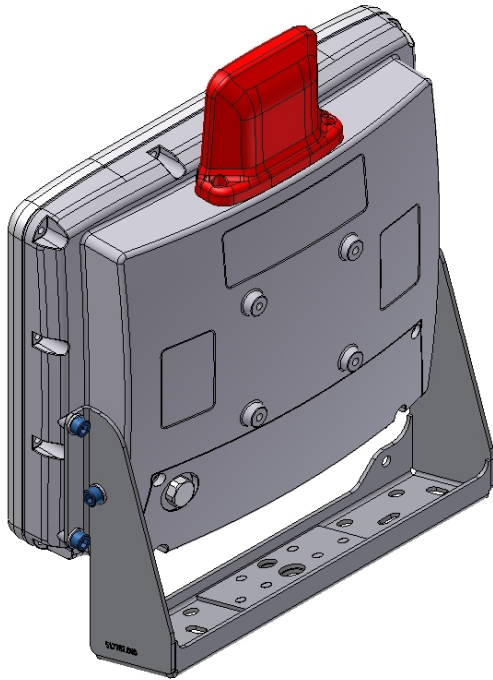
### 5M1: Stationary use

Operational environments with **low** energy vibrations and **medium** energy shocks as well as **very careful** handling/transport compliant with:

- Operation class **5M1** according to DIN EN 60721-3-5.
- Examples: Vehicles with very good shock absorption: Car dashboard, immobile mounting surfaces: Desk or wall.

## 1.2. Mounting Bracket

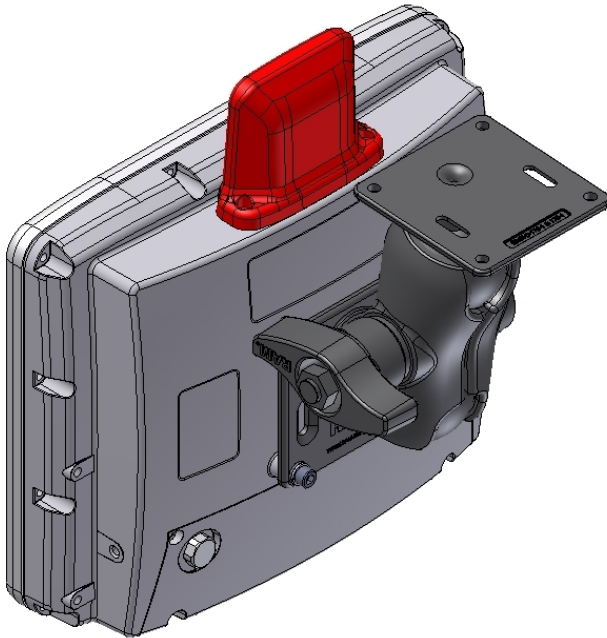
Product example DLT-V8310:



Technical data	
Operation class for mounting on:	
DLT-V8310 DLT-V8312	Mobile use according to 5M3
DLT-V8315	Restricted mobile use according to 5M2
Scope of delivery	Includes screw set (Terminal-side)
Available for	Order number
DLT-V8310 DLT-V8312 DLT-V8315	DL-MEMT79375000

### 1.3. RAM-Mount short, Ball 2,25"

Product example DLT-V8310:

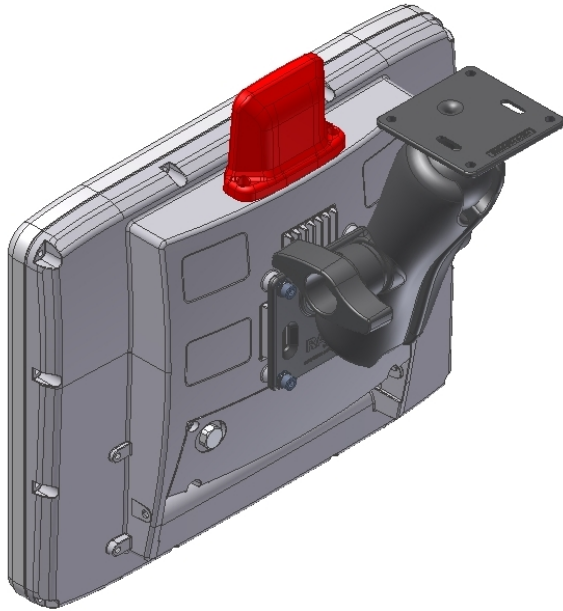


Technical data	
Operation class for mounting on:	
DLT-V8310 DLT-V8312	Mobile use according to 5M3
DLT-V8315	Stationary use according to 5M1
Components	Ball 2,25" (with plate) 1 Arm Arm length 130 mm
Scope of delivery	Includes screw set (Terminal-side)

Available for	Order number
DLT-V8310 DLT-V8312 DLT-V8315	DL-CMEMT70129800

## 1.4. RAM-Mount long, Ball 2,25"

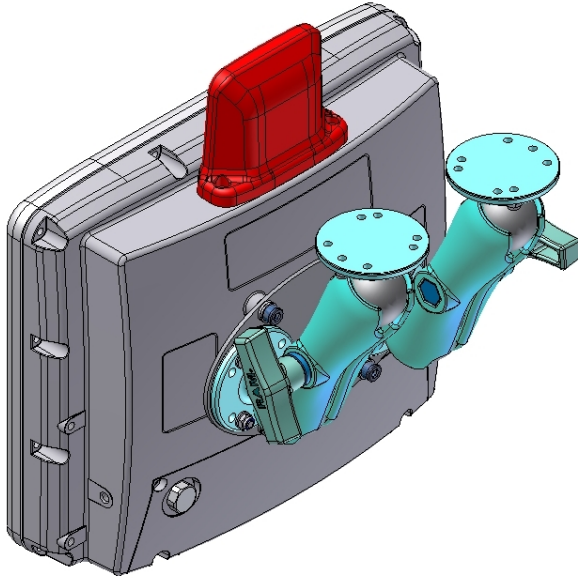
Product example DLT-V8315:



Technical data	
Operation class for mounting on:	
DLT-V8310 DLT-V8312	Mobile use according to 5M3
DLT-V8315	Stationary use according to 5M1
Components	Ball 2,25" (with plate) 1 Arm Arm length 215 mm
Scope of delivery	Includes screw set (Terminal-side)
Available for	Order number
DLT-V8310 DLT-V8312 DLT-V8315	DL-CMEMT70129700

### 1.5. RAM-Mount double, Ball 1,5"

Product example DLT-V8310:

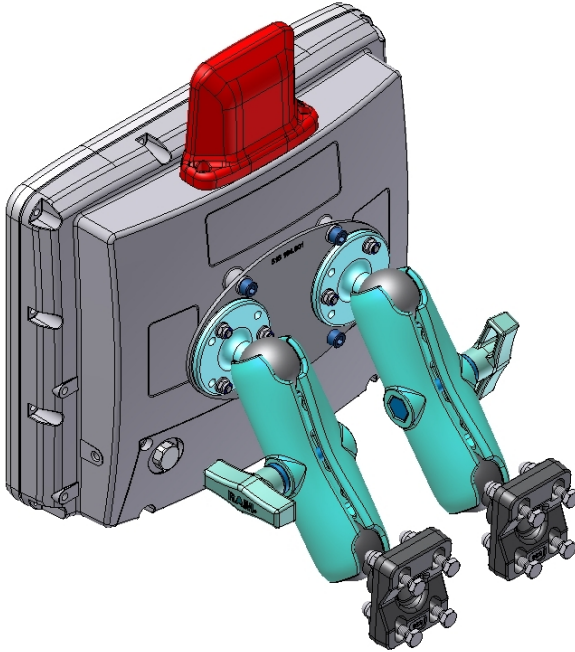


Technical data	
Operation class for mounting on:	
DLT-V8310 DLT-V8312	Mobile use according to 5M3
Components	Ball 1,5" 2 Arms Arm length 150 mm
Scope of delivery	Includes screw set (Terminal-side)
Available for	Order number
DLT-V8310 DLT-V8312	DL-BMEMT70146300



## 1.6. RAM-Mount double, Ball 1,5", Tube Mounting

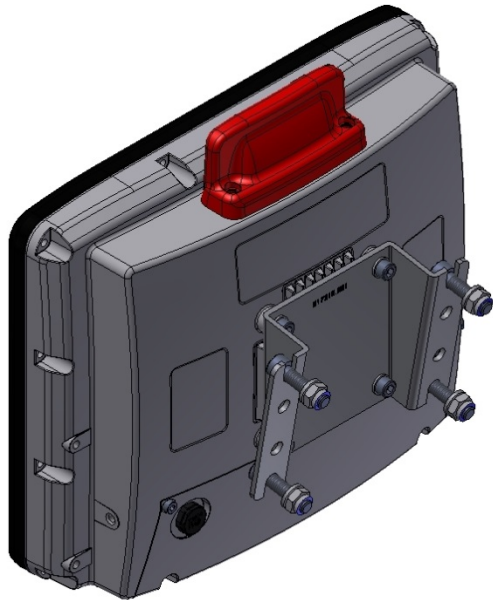
Product example DLT-V8310:



Technical data	
Operation class for mounting on:	
DLT-V8310 DLT-V8312	Mobile use according to 5M3
Components	Ball 1,5" 2 Arms Arm length 150 mm For tube mounting
Scope of delivery	Includes screw set (Terminal-side)
Available for	Order number
DLT-V8310 DLT-V8312	DL-CMENT70119300

### 1.7. Mounting for wall I-50

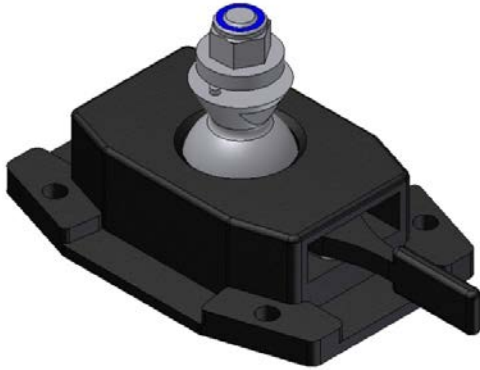
Product example DLT-V8310:



Technical data	
Operation class for mounting on:	
DLT-V8310 DLT-V8312 DLT-V8315	Use according 5M1
Components	Wall bracket 10 grade inclined For wall thickness of 50 mm
Scope of delivery	Including screws for terminal- and wall mounting (M6x10 und M8x50)

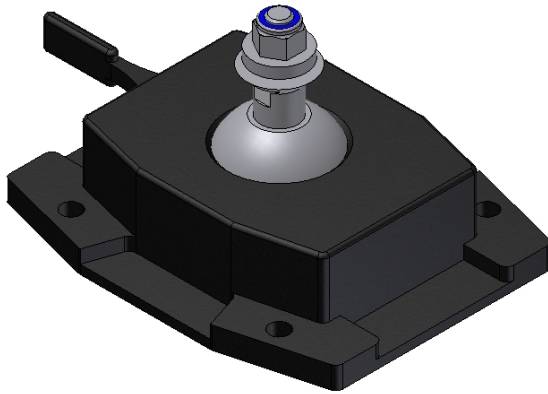
Available for	Order number
DLT-V8310 DLT-V8312 DLT-V8315	DL-CMEMT70126000

### 1.8. Clamp mount small



Technical data	
Operation class for mounting on:	
DLT-V8310	Mobile use according to 5M3
DLT-V8312	Restricted mobile use according to 5M2
DLT-V8315	Stationary use according to 5M1
Scope of delivery	Includes screw set (Terminal-side)
Available for	Order number
DLT-V8310	DL-CMECF51029001
DLT-V8312	
DLT-V8315	

### 1.9. Clamp mount maxi



Technical data	
Operation class for mounting on:	
DLT-V8310	Mobile use according to 5M3
DLT-V8312	Restricted mobile use according to 5M2
DLT-V8315	Stationary use according to 5M1
Scope of delivery	Includes screw set (Terminal-side)

Available for	Order number
DLT-V8310 DLT-V8312 DLT-V8315	DL-CMECF51029100

### 1.10. Clamp mount adapter low



Technical data	
Operation class for mounting on:	
DLT-V8310	Mobile use according to 5M3
DLT-V8312	Restricted mobile use according to 5M2
DLT-V8315	Stationary use according to 5M1
Scope of delivery	Includes screw set (Terminal-side)
Available for	Order number
DLT-V8310	DL-MEMT70123500
DLT-V8312	
DLT-V8315	

### 1.11. Clamp mount adapter high



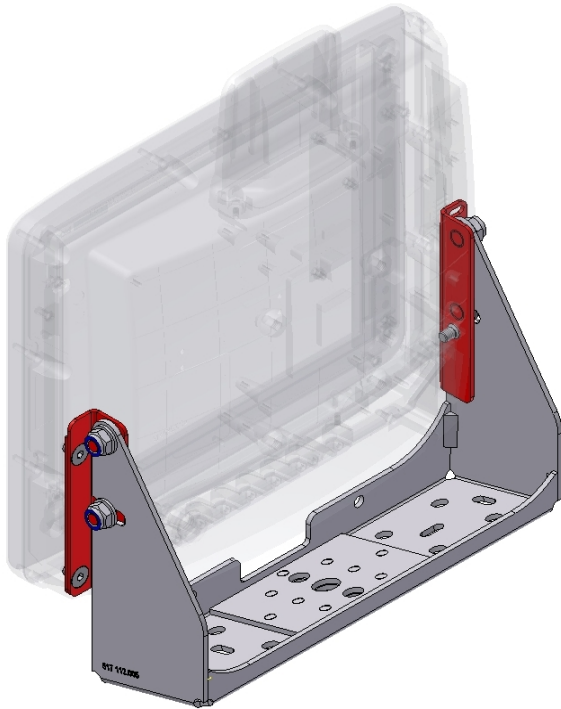
Technical data	
Operation class for mounting on:	
DLT-V8310	Mobile use according to 5M3
DLT-V8312	Restricted mobile use according to 5M2
DLT-V8315	Stationary use according to 5M1
Scope of delivery	Includes screw set (Terminal-side)

Available for	Order number
DLT-V8310	DL-CMEMT70123400
DLT-V8312	
DLT-V8315	

## 1.12. Adapter for Reusing MPC 6 Mobile Mounting Bracket

Adapter set for reusing the mobile mounting bracket of the predecessor terminal MPC 6.

Product example DLT-V8310:

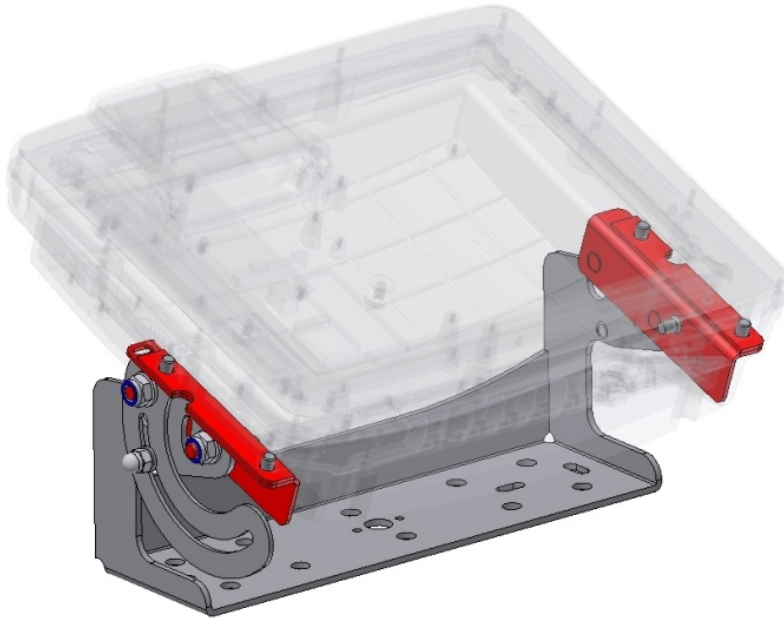


Technical data		
Operation class for mounting on:		
	DLT-V8310 DLT-V8312	Mobile use according to 5M3
Scope of delivery	Includes screw set (Terminal-side)	
Available for	Order number	
DLT-V8310 DLT-V8312	DL-MEMS79375800	

### 1.13. Adapter for Reusing MPC 6 Stationary Mounting Bracket

Adapter set for reusing the stationary mounting bracket of the predecessor terminal MPC 6.

Product example DLT-V8310:



Technical data	
Operation class for mounting on:	
DLT-V8310 DLT-V8312	Stationary use according to 5M1
Scope of delivery	Includes screw set (Terminal-side)
Available for	Order number
DLT-V8310 DLT-V8312	DL-MEMS79375900



## 2. ANTENNA SOLUTIONS

### 2.1. Integrated Low Profile WLAN Antenna, red/grey/blue



Technical data	
Application	Dual Band Diversity-Antenna for WLAN frequency bands IEEE 802.11 a/b/g/n
Number of Antennas	2 WLAN antennas integrated into antenna cap
Type	Omnidirectional antenna
Directionality	Optimized for the DLT-V83 housing
Frequency range	Band 1: 2400 to 2485 MHz Band 2: 5150 to 5875 MHz
Antenna gain	Max. 5 dBi (without loss through the cable)
Impedance	50 Ω
Polarization	Vertical / Horizontal

Order numbers	
Antenna red	DL-WFAK79377500
Antenna grey	DL-WFAK79377600
Antenna blue	DL-WFAK79606300

## 2.2. Integrated WLAN, WWAN and GPS Antenna



Technical data	
Application	Dual Band Diversity Antenna for WLAN frequency bands IEEE 802.11 a/b/g/n WWAN (3G-Technology)
Number of Antennas	4 antennas integrated into antenna cap
Type	Omnidirectional antenna
Directionality	Optimized for the DLT-V83 housing
Frequency range WLAN	Band 1: 2400 to 2485 MHz Band 2: 5150 to 5875 MHz
Frequency range WWAN	Find latest information about frequency ranges in our RED Information Sheet: <a href="http://www.advantech-dlog-dofc.com">www.advantech-dlog-dofc.com</a>
Antenna gain	Max. 3 dBi (without loss through the cable)
Impedance	50 $\Omega$
Polarization	Vertical / Horizontal

Order numbers	
Antenna red	DL-WFRK79377900
Antenna grey	DL-WFRK79377800

### 2.3. External WLAN Antenna Kit, Remote



Technical data	
Application	Dual Band Diversity Antenna for WLAN frequency bands IEEE 802.11 a/b/g/n
Mounting location	For remote installation, e.g. on the roof of the forklift
Number of Antennas	1
Type	Omnidirectional antenna
Frequency range	Band 1: 2400 to 4900 MHz Band 2: 4900 to 6000 MHz
Antenna gain	Band 1: Max. 4 dBi (without loss through the cable) Band 2: Max. 6,5 dBi (without loss through the cable)
Impedance	50 Ω
Polarization	Vertical / Horizontal
Dimensions	Ø 86 x 43 mm (Ø 3,39" x 1,69")
Weight	0,3 kg (0,66 lbs)
Connector labeling	N type or TNC N, jack, female, bottom RSMA plug for RSMA socket on the terminal
Scope of delivery	3 m antenna cable plus mounting set included

Order number	
WLAN Antenna Kit, Remote	DL-AGIK79378700

## 2.4. External WLAN, WWAN, GPS Antenna Kit, Remote (Bundle)

The "External WLAN, WWAN, GPS antenna kit" consists of the following components:



- External WLAN antenna, remote.  
 Technical data see previous page.



- External WWAN antenna, remote.  
 Technical data see next pages.



- External GPS receiver  
 Technical data see next pages.

Order number	
Antenna kit remote, bundle	DL-MEMS79377700

## 2.5. External WWAN Antenna, Remote



Technical data	
Application	WWAN (3G-Technology)
Mounting location	For remote installation, e.g. on the roof of the forklift
Number of Antennas	1
Type	Omnidirectional antenna
Frequency range	Find latest information about frequency ranges in our RED Information Sheet: <a href="http://www.advantech-dlog-dofc.com">www.advantech-dlog-dofc.com</a>
Antenna gain	Typ. 0 dBi (5 dBi)
Impedance	50 $\Omega$
Polarization	Vertical
Dimensions	33 mm x 89 mm
Weight	41 g
Connector labeling	Standard SMA plug for standard SMA socket on the terminal
Scope of delivery	3 m antenna cable plus mounting set included

## 2.6. External GPS Receiver



Technical data	
Application	GPS GALILEO DGPS (WAAS Europa, EGNOS USA)
Technology	u-Blox 5 Supports NMEA 0183 protocols: GGA, GSA, GSV, RMC, VTG USB specification 1.1 Auto Baud Rate up to 115200 UP-DATE Rate: up to 4 Hz LED display for GPS status
Type	RHCP
Frequency range GPS	L1 frequency 1575.42 MHz
Scope of delivery	USB cable Cable length 1,50 m

### 3. EXTERNAL KEYBOARDS

#### 3.1. 24-key keyboard with mounting

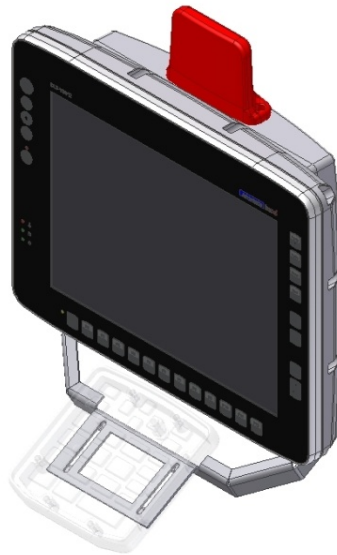
##### 3.1.1. Technical data keyboard



Technical data	
Application	For rough industrial environment and vehicles Suitable for operation with gloves Outstanding haptics and tactility
Housing material	Coated aluminum
Dimensions	Height 132 mm, Width 132 mm, Depth 24 mm
Weight	0.5 kg
Cable length	50 cm
Number of keys	24
Keys service life	1 million switching cycles min.
Key switching force	2 N
Key switching distance	1.5 mm
Key press technology	Sealed direct press
Connection	USB
Supply voltage	5 V
IP protection	IP65
Operating temperature	-10 to +60 °C
Storage temperature	-35 to +80 °C
Scope of delivery	USB connection cable included
Order number	DL-KBXX65409200

### 3.1.2. Front mounting for 24-key keyboard

Product example DLT-V8310:



Technical data	
Application	For rough industrial environment and vehicles
Operation class for mounting on:	
DLT-V8310 DLT-V8312	Mobile use according to 5M3
DLT-V8315	Restricted mobile use according to 5M2
Material	Steel St 37-2 powder coated
Scope of delivery	Screws for attachment to the terminal included

Available for	Order numbers
DLT-V8310 DLT-V8312	DL-MEMS79375100
DLT-V8315	DL-MEMS79382200



3.1.3. Side mounting right for 24-key keyboard

Product example DLT-V8312:



Technical data	
Application	For rough industrial environment and vehicles
Operation class for mounting on:	
DLT-V8310 DLT-V8312	Mobile use according to 5M3
Material	Steel St 37-2 powder coated
Scope of delivery	Screws for attachment to the terminal included

Available for	Order number
DLT-V8310 DLT-V8312	DL-MEMS79372000

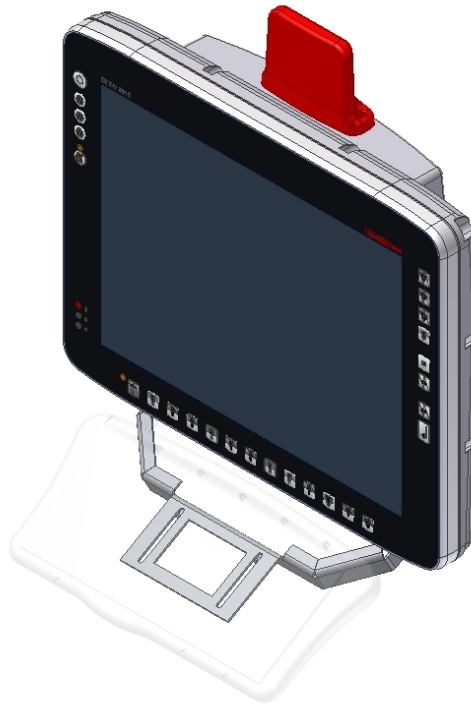
## 3.2. SMALL keyboard with mounting

### 3.2.1. Technical data SMALL keyboard



Technical data	
Application	Suitable for operation with gloves, outstanding haptics and tactility
Housing material	Plastic
Dimensions	Height 298 mm, width 142 mm, depth 22 mm
Cable length, table version	180 cm
Cable length, mounted version	60 cm
Number of keys	86, integrated mouse function
Keys service life	At least 1 million switching cycles
Key switching force	0.6 N
Key switching distance	1.5 mm
Connection	USB
Operating voltage	5 V
Current consumption	10 mA
IP protection class/category	IP65
Operating temperature	-10 to +60 °C
Storage temperature	-40 to +80 °C
Scope of delivery	Including USB connection cable
Order numbers	German (QWERTZ): DL-CKBSM65409700 English (QWERTY): DL-CKBSM65409800 French (AZERTY): DL-CKBSM65409300

3.2.2. Front mounting for SMALL keyboard



Product example DLT-V8315

Technical data	
Application	For rough industrial environment and vehicles
Operation class for mounting on:	
DLT-V8310 DLT-V8312	Mobile use according to 5M3
DLT-V8315	Restricted mobile use according to 5M2
Material	Steel St 37-2 powder coated
Scope of delivery	Including screws for attachment to the terminal

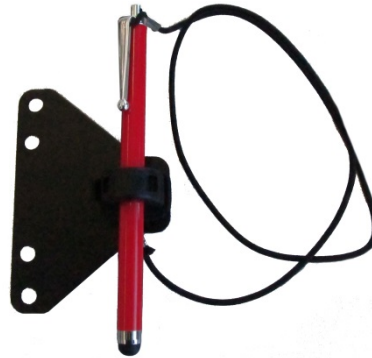
Available for	Order numbers
DLT-V8310 DLT-V8312	DL-MEMS79375100
DLT-V8315	DL-MEMS79382200

## 4. TOUCH STYLUS

Stylus with mounting  
for resistive touchscreen



Stylus with mounting  
for PCT touchscreen



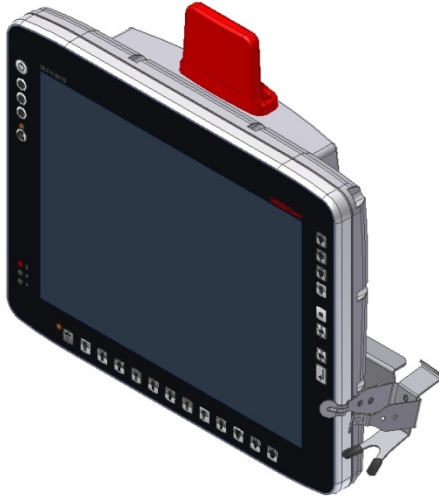
Technical data	
Application	For rough industrial environment and vehicles
Material (mounting)	Steel St 37-2 powder coated
Delivery contents	Stylus Mounting with elastic band (anti-loss) Screws for attachment to the terminal

DLT-V8310 and DLT-V8312	Order numbers
Devices with resistive touchscreen	DL-MEMT79388200
Devices with PCT touchscreen	DL-MEMT79388300

DLT-V8315	Order numbers
Devices with resistive touchscreen	DL-MEMT79388400
Devices with PCT touchscreen	DL-MEMT79388500

## 5. SCANNER MOUNTINGS

Product example DLT-V8315:



Technical data	
Application	For rough industrial environment and vehicles
Operation class for mounting on:	
	DLT-V8310 DLT-V8312 DLT-V8315
	Mobile use according to 5M3
Material	Steel St 37-2 powder coated
Scope of delivery	Screws for attachment to the terminal included

Order numbers DLT-V8310	
Scanner mounting left, for Scanner LS34xx, LS35xx	DL-MEMS79375500
Scanner mounting right, for Scanner LS34xx, LS35xx	DL-MEMS79375400
Scanner mounting right, for Scanner DS36xx	DL-MEMT70109300

Order numbers DLT-V8312	
Scanner mounting right, for Scanner LS34xx, LS35xx	DL-MEMS79372200
Scanner mounting left, for Scanner LS34xx, LS35xx	DL-MEMS79372300
Scanner mounting right, for Scanner DS36xx	DL-MEMT70109600

Order numbers DLT-V8315	
Scanner mounting right, for Scanner LS34xx/LS35xx	DL-MEMS79382000
Scanner mounting right, for Scanner DS36xx	DL-MEMT70110200

## 6. SCREEN PROTECTION FOILS

### 6.1. Screen Protection Foil Standard

Available for	Order numbers
DLT-V8310	DL-MEFO61921500
DLT-V8312	DL-MEFO61921600
DLT-V8315	DL-MEFO61921700

### 6.2. Screen Protection Foil Interference suppression

Available for	Order numbers
DLT-V8310	DL-MEFO61921000
DLT-V8312	DL-MEFO61921100

### 6.3. Screen Protection Foil PCT

Covers full front (display section plus front keys).

Available for	Order numbers
DLT-V8310	DL-MEFO61922000
DLT-V8312	DL-MEFO61922100

## Данный компонент на территории Российской Федерации

### Вы можете приобрести в компании MosChip.

Для оперативного оформления запроса Вам необходимо перейти по данной ссылке:

<http://moschip.ru/get-element>

Вы можете разместить у нас заказ для любого Вашего проекта, будь то серийное производство или разработка единичного прибора.

В нашем ассортименте представлены ведущие мировые производители активных и пассивных электронных компонентов.

Нашей специализацией является поставка электронной компонентной базы двойного назначения, продукции таких производителей как XILINX, Intel (ex.ALTERA), Vicor, Microchip, Texas Instruments, Analog Devices, Mini-Circuits, Amphenol, Glenair.

Сотрудничество с глобальными дистрибьюторами электронных компонентов, предоставляет возможность заказывать и получать с международных складов практически любой перечень компонентов в оптимальные для Вас сроки.

На всех этапах разработки и производства наши партнеры могут получить квалифицированную поддержку опытных инженеров.

Система менеджмента качества компании отвечает требованиям в соответствии с ГОСТ Р ИСО 9001, ГОСТ РВ 0015-002 и ЭС РД 009

### Офис по работе с юридическими лицами:

105318, г.Москва, ул.Щербаковская д.3, офис 1107, 1118, ДЦ «Щербаковский»

Телефон: +7 495 668-12-70 (многоканальный)

Факс: +7 495 668-12-70 (доб.304)

E-mail: [info@moschip.ru](mailto:info@moschip.ru)

Skype отдела продаж:

moschip.ru

moschip.ru\_4

moschip.ru\_6

moschip.ru\_9