

XLR-51 Supercapacitor

51 V, 188 F Rugged module



Description

Eaton supercapacitors are high reliability, high power, ultra-high capacitance energy storage devices utilizing electrochemical double layer capacitor (EDLC) construction combined with proprietary materials and processes. This combination of advanced technologies allows Eaton to offer a wide variety of capacitor solutions tailored to applications for back up power, pulse power and hybrid power systems. They can be applied as the sole energy storage or in combination with batteries to optimize cost, life time and run time. System requirements can range from a few micro-amps to megawatts. All products feature low ESR for high power density with environmentally friendly materials for a green power solution. Eaton supercapacitors are maintenance-free with design lifetimes up to 20 years*.

Features

- Ultra low ESR provides high efficiency, high power
- Industry standard form factor for easy integration
- High power density to optimize system size and low operating costs
- Millions of charge/discharge cycles for life of application
- No heavy metals, RoHS compliant, non-hazardous energy storage
- Heavy duty metal housing for high vibration, high current applications
- IP65 environmental rating for high dust areas and water jet washable

Applications

- Hybrid and electric vehicles
- Grid storage
- Commercial vehicles: trucks, mining, construction
- Automated guided vehicle (AGV)
- Trolley, subway
- Marine

*Supercapacitor lifetimes vary based on charge voltage and temperature. See Eaton's application guidelines or contact your local Eaton sales representative for more information on lifetime estimates



Powering Business Worldwide

Ratings

Capacitance	188 F
Maximum working voltage	51.3 V
Surge voltage	54.0 V
Capacitance tolerance	0% to +20% (+20 °C)
Operating temperature range	-40 °C to +65 °C
Extended temperature range	-40 °C to +85 °C (with linear derating to 41.0 V @ +85 °C)

Specifications

Capacitance (F)	Part number	Maximum initial ESR ¹ (mΩ)	Nominal leakage current ² (mA)	Stored energy ³ (Wh)	Peak power ⁴ (kW)	Pulse current ⁵ (A)	Continuous current ⁶ (A)	Typical thermal resistance ⁷ Rth (°C/W)	Short circuit current ⁸ (A)
188	XLR-51R3187-R	5.0	8.0	68.7	131.6	2485	86	0.4	10200

Performance

Parameter (F)	Capacitance change (% of initial value)	ESR (% of maximum initial value)
Life (1500 hours @ +65 °C/51.3 Vdc)	≤ 20%	≤ 200%
Storage – 3 years (uncharged, +30 °C)	≤ 5%	≤ 10%
Cycling life ⁹ (1,000,000 cycles)	≤ 20%	≤ 200%

1. Capacitance, Equivalent Series Resistance (ESR) measured according to IEC62391-1 at +20 °C, with current in milliamps (mA) = 8°C*V

2. Leakage current at +20 °C after 72 hour charge and hold.

3. Energy (Wh) = $\frac{0.5 \times C \times V^2}{3600}$

4. Peak Power (W) = $\frac{V^2}{4 \times \text{ESR}}$

5. Pulse current in Amps (A), 1 second discharge from maximum working voltage to half rated voltage. = $\frac{0.5 \times V \times C}{(1 + \text{ESR} \times C)}$

6. Continuous current with a 15 °C temperature rise. Continuous current (A) = $\sqrt{\frac{15}{\text{ESR} \times R_{th}}}$

7. Thermal resistance (Rth) cell body temperature to ambient in open air in degrees C per Watt (°C/W).

8. Short circuit current is for safety information only. Do not use as operating current.

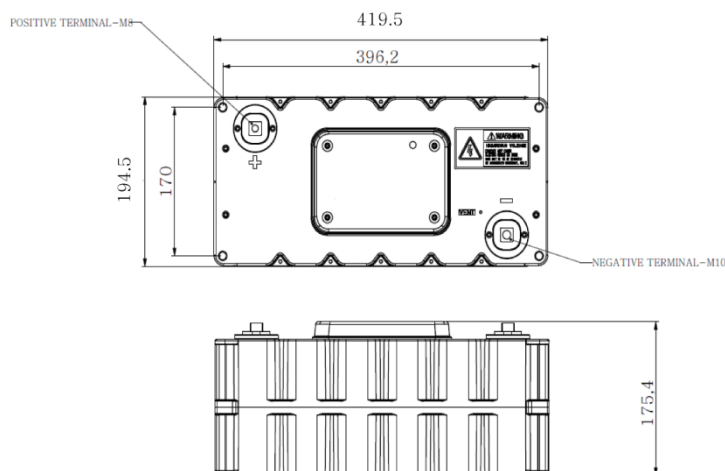
9. Cycling between maximum working voltage and half voltage with 3 seconds rest at +25 °C.

Standards and certifications

Regulatory	E-mark (UN-ECE Regulation 10 - Rev. 5 & UN-ECE Regulation 100 - Rev. 2)
Shock and vibration	IEC 61373 Cat. 1, Class B, SAE J2380, ISO16750-3 Table 14, SAE J2464
Warnings	Do not overvoltage, do not reverse polarity.
Environmental	IP65, RoHS
Shipping	UN3499, <10 Wh, Non-hazardous when shipped with shorting wire.

Dimensions (mm) and Mass (kg)

Part Number	W (max)	L (max)	H (max)	Typical Mass (kg)
XLR-51R3187-R	177	421	196	14.7



Part numbering system

XLM	— 51R3	18	7	-R
Family Code	Voltage (V) R= decimal	Capacitance (µF)		
		Value	Multiplier	
XLR = Family code	51R3= 51.3 V	Example 188=18 x 10 ⁷ µF or 188 F		Standard product

Packaging information

- Standard packaging: 1 piece per box

Part marking

- Manufacturer
- Capacitance (F)
- Maximum operating voltage (V)
- Part number
- Polarity
- Serial number

Life Support Policy: Eaton does not authorize the use of any of its products for use in life support devices or systems without the express written approval of an officer of the Company. Life support systems are devices which support or sustain life, and whose failure to perform, when properly used in accordance with instructions for use provided in the labeling, can be reasonably expected to result in significant injury to the user.

Eaton reserves the right, without notice, to change design or construction of any products and to discontinue or limit distribution of any products. Eaton also reserves the right to change or update, without notice, any technical information contained in this bulletin.

Eaton
Electronics Division
1000 Eaton Boulevard
Cleveland, OH 44122
United States
www.eaton.com/electronics

Данный компонент на территории Российской Федерации

Вы можете приобрести в компании MosChip.

Для оперативного оформления запроса Вам необходимо перейти по данной ссылке:

<http://moschip.ru/get-element>

Вы можете разместить у нас заказ для любого Вашего проекта, будь то серийное производство или разработка единичного прибора.

В нашем ассортименте представлены ведущие мировые производители активных и пассивных электронных компонентов.

Нашей специализацией является поставка электронной компонентной базы двойного назначения, продукции таких производителей как XILINX, Intel (ex.ALTERA), Vicor, Microchip, Texas Instruments, Analog Devices, Mini-Circuits, Amphenol, Glenair.

Сотрудничество с глобальными дистрибьюторами электронных компонентов, предоставляет возможность заказывать и получать с международных складов практически любой перечень компонентов в оптимальные для Вас сроки.

На всех этапах разработки и производства наши партнеры могут получить квалифицированную поддержку опытных инженеров.

Система менеджмента качества компании отвечает требованиям в соответствии с ГОСТ Р ИСО 9001, ГОСТ РВ 0015-002 и ЭС РД 009

Офис по работе с юридическими лицами:

105318, г.Москва, ул.Щербаковская д.3, офис 1107, 1118, ДЦ «Щербаковский»

Телефон: +7 495 668-12-70 (многоканальный)

Факс: +7 495 668-12-70 (доб.304)

E-mail: info@moschip.ru

Skype отдела продаж:

moschip.ru

moschip.ru_4

moschip.ru_6

moschip.ru_9