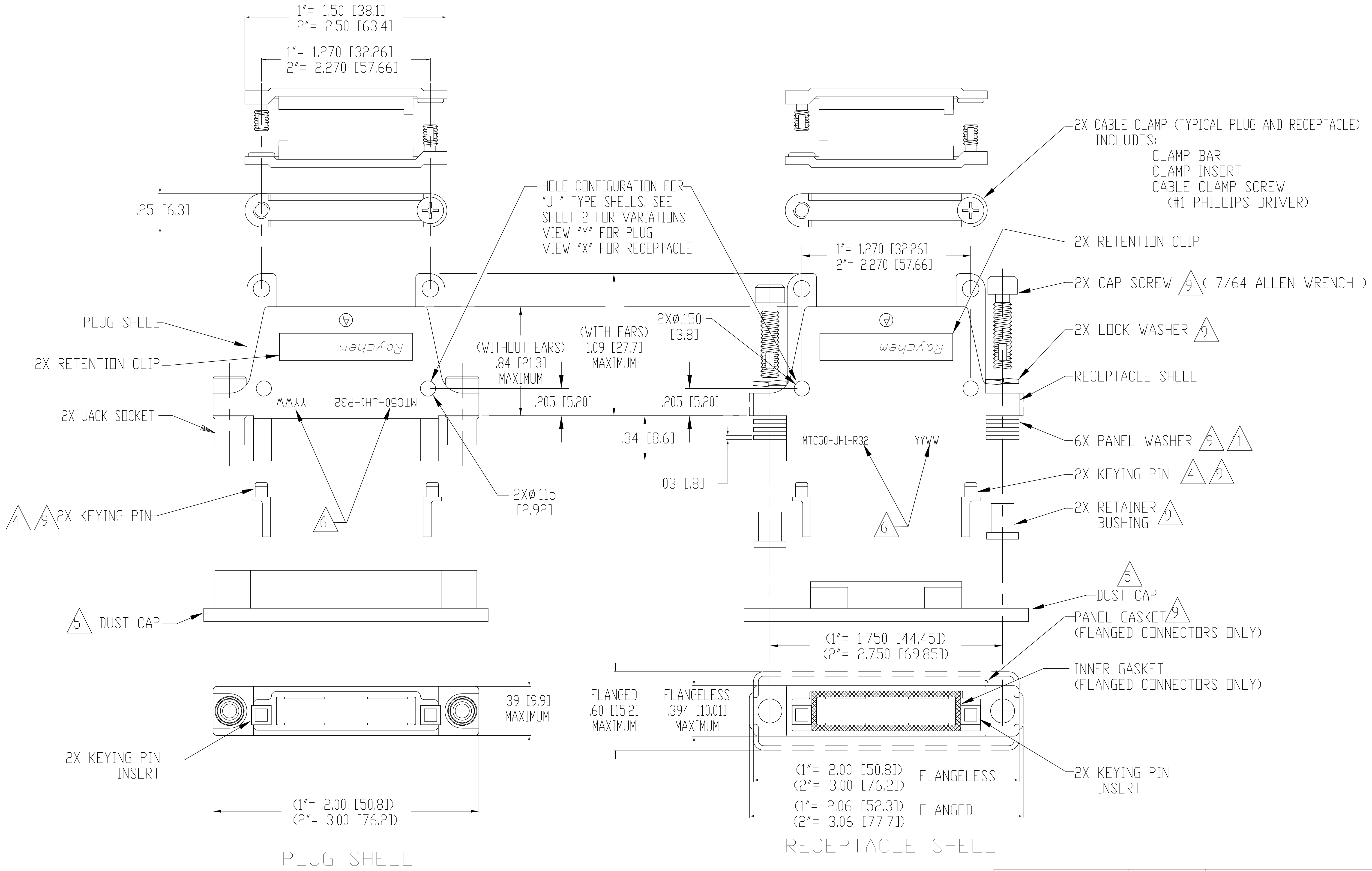


REVISONS		DATE	BY	APP'D
P	REV PER ECO	14-001211	1-27-13	CT KH



THIS DRAWING IS A CONTROLLED DOCUMENT.		DIN C.C.THOMAS 27JAN2014	TE Connectivity
DIMENSIONS: INCHES		CHK K.HOGAN 1-27-13	
TOLERANCES UNLESS OTHERWISE SPECIFIED:		APP'D K.HOGAN 1-27-13	NAME HOUSING ASSEMBLY, PLUG AND RECEPTACLE MTC50 SERIES
0. PLC ± .005 [0.13]	1. PLC ± .005 [0.13]	APPLICATION SPEC	SIZE A1
2. PLC ± .02 [0.5]	3. PLC ± .005 [0.13]	WEIGHT	CAGE CODE 00779
4. PLC ± .005 [0.13]	ANGLES ± .005 [0.13]	RESTRICTED TO	SCALE NTS
MATERIAL	FINISH	CUSTOMER DRAWING	SHEET 1 OF 2
		REV	P

1. PART NUMBER VARIABLES: (NOT ALL POSSIBLE CONFIGURATIONS SHOWN ON THIS DRAWING ARE AVAILABLE AS STANDARD PRODUCTS. PLEASE CHECK WITH RAYCHEM TO CONFIRM AVAILABILITY.)

MTC50-XHX-XXX-XXX

MODIFICATIONS: REFER TO APPLICABLE MOD DESCRIPTION SHEET. (THIS SPACE BLANK IF NO MODIFICATION IS APPLICABLE)

- 1= W/O CABLE CLAMP AND W/O EARS ON SHELL
- 2= WITH CABLE CLAMP AND EARS ON SHELL
- 3= W/O CABLE CLAMP BUT WITH EARS ON SHELL
- 4= WITH FLAT CABLE CLAMP (SEE VIEW "V") AND EARS ON SHELL

- 1= BLACK ANODIZED (WHITE MARKING)
- 2= ELECTROLESS NICKEL (BLACK MARKING)
- 3= CADMIUM OVER NICKEL UNDERPLATE (BLACK MARKING)
- P= PLUG
- R= FLANGELESS RECEPTACLE
- F= FLANGED RECEPTACLE: STANDARD ("J" TYPE) HAS FLUOROSILICONE GASKET SHIELDED ("S" TYPE) HAS CONDUCTIVE GASKET
- 1= 1 INCH
- 2= 2 INCH

- J= STANDARD
- S= SHIELDED
- Y= SPECIAL: REFER TO INDIVIDUAL SPECIFICATION CONTROL DRAWINGS FOR DESCRIPTIONS

2. MATERIAL:
- A) SHELL ALUMINUM ALLOY PER ASTM B85
 - B) RETENTION CLIP COPPER ALLOY 172 PER ASTM B194
 - C) CAP SCREW STAINLESS STEEL PER SAE-AMS-QQ-S-763, 300 SERIES
 - D) JACK SOCKET OR JACK SCREW STAINLESS STEEL PER SAE-AMS-QQ-S-763, 300 SERIES
 - E) PANEL OR LOCK WASHER STAINLESS STEEL PER SAE-AMS-QQ-S-763, 300 SERIES
 - F) KEYING PIN POLYARYLENE THERMOPLASTIC, MOLDED
 - G) KEY PINS INSERT POLYARYLENE THERMOPLASTIC, MOLDED
 - H) CLAMP BAR STAINLESS STEEL PER SAE-AMS-QQ-S-763, 300 SERIES
 - J) CLAMP INSERT SILICONE ELASTOMER PER MIL-R-25988B
 - K) CAPTIVE SCREW STAINLESS STEEL PER SAE-AMS-QQ-S-763, 300 SERIES

3. FINISH:

	APPLIES TO NICKEL PLATED CONNECTORS	APPLIES TO CADMIUM PLATED CONNECTORS	APPLIES TO BLACK ANODIZED CONNECTORS
A) SHELL	NICKEL PLATED PER SAE-AMS-C-26074 CLASS 3, GRADE B	CADMIUM PLATED PER SAE-AMS-QQ-P-416 OVER NICKEL UNDERPLATE	BLACK ANODIZED PER MIL-A-8625, TYPE II, CLASS 2
B) RETENTION CLIP	NICKEL PLATED PER SAE-AMS-C-26074 CLASS 2, .00002 MINIMUM	CADMIUM PLATED PER SAE-AMS-QQ-P-416	NICKEL PLATED PER SAE-AMS-C-26074 CLASS 2, .00002 MINIMUM
C) CAP SCREW	PASSIVATED PER SAE-AMS-QQ-P-35	CADMIUM PLATED PER SAE-AMS-QQ-P-416	PASSIVATED PER SAE-AMS-QQ-P-35
D) JACK SOCKET OR JACK SCREW	PASSIVATED PER SAE-AMS-QQ-P-35	CADMIUM PLATED PER SAE-AMS-QQ-P-416	PASSIVATED PER SAE-AMS-QQ-P-35
E) PANEL OR LOCK WASHER	PASSIVATED PER SAE-AMS-QQ-P-35	CADMIUM PLATED PER SAE-AMS-QQ-P-416	PASSIVATED PER SAE-AMS-QQ-P-35
F) CLAMP BAR	PASSIVATED PER SAE-AMS-QQ-P-35	CADMIUM PLATED PER SAE-AMS-QQ-P-416	PASSIVATED PER SAE-AMS-QQ-P-35
G) CAPTIVE SCREW	PASSIVATED PER SAE-AMS-QQ-P-35	CADMIUM PLATED PER SAE-AMS-QQ-P-416	PASSIVATED PER SAE-AMS-QQ-P-35

4. APPLICATION INFORMATION:
- A) FOR RECEPTACLE MOUNTING INFORMATION, SEE RAYCHEM DRAWING D652-0012.
 - B) FOR CONNECTOR KEYING CODES, SEE RAYCHEM DRAWING D-659-0080.
 - C) RECEPTACLE CAP SCREWS ARE TO BE TORQUED TO 15 LBF-INCH (1.7 N-m).
 - D) PLUG JACK SOCKETS ARE TO BE TORQUED TO 9 LBF-INCH (1.0 N-m).

- 5. DUST CAP SUPPLIED WITH EACH PLUG AND RECEPTACLE.
- 6. APPROPRIATE PART NUMBER AND DATE CODE ARE STAMPED APPROXIMATELY AS SHOWN.
- 7. THE APPLICABLE RAYCHEM SPECIFICATION FOR THIS PART IS C6111. THIS PART IS NOT QUALIFIED TO C6111.
- 8. FLANGED RECEPTACLE CONNECTORS CORRECTLY ASSEMBLED AND THE PLUG CONNECTOR PROPERLY ASSEMBLED AND MATED WILL EXHIBIT AN AIR LEAK RATE NOT EXCEEDING .5 CC / SECOND AT 30 PSI AND 25° C. (APPLICABLE ONLY TO FLANGED RECEPTACLES WITH PIN INSERTS)

- 9. THESE ITEMS ARE SUPPLIED UNASSEMBLED.
- 10. SEE TABLE II FOR WEIGHTS. WEIGHTS SHOWN ARE WITHOUT DUST CAP.
- 11. THIS RECEPTACLE MAY BE REAR PANEL MOUNTED BY REMOVING AS MANY PANEL WASHERS AS REQUIRED TO ACCOMMODATE THE THICKNESS OF THE PANEL BEING USED. (SEE TABLE III)

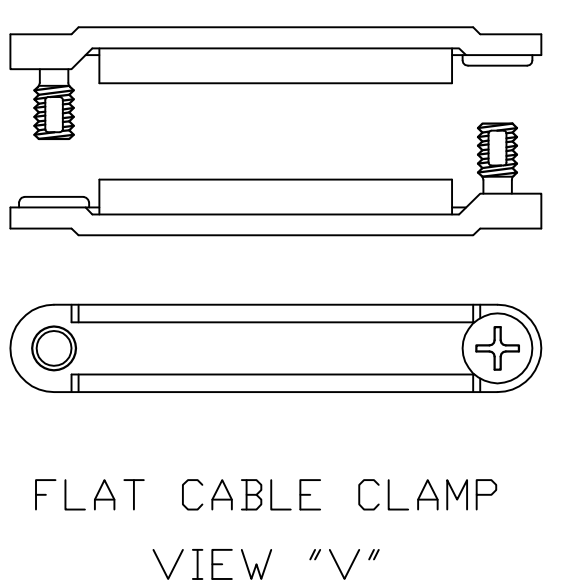
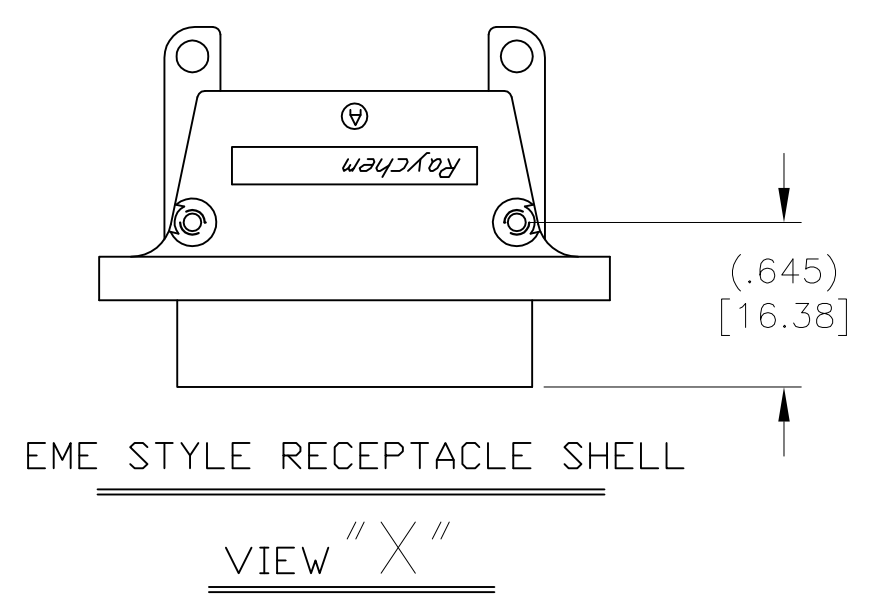
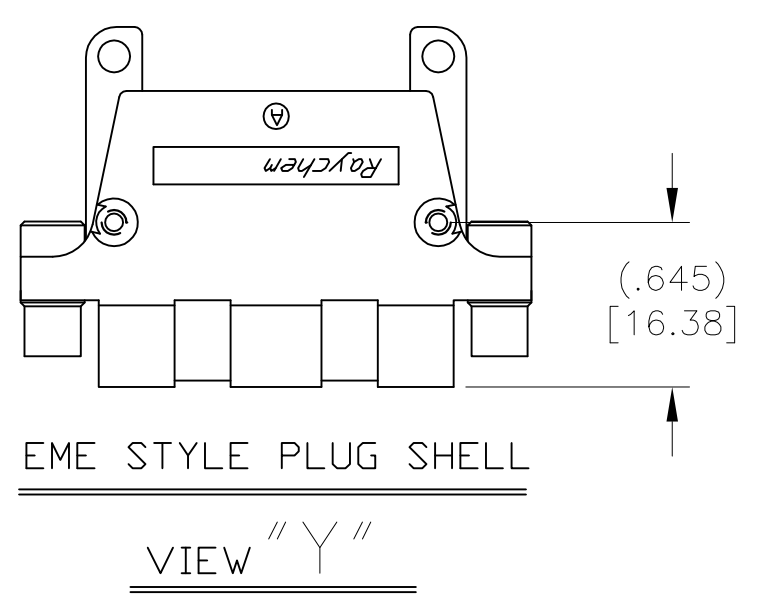


TABLE III

PANEL THICKNESS	NUMBER OF PANEL WASHERS FOR EACH FASTENER
0.031/0.036 [0.8]/[0.9]	2
0.062/0.067 [1.5]/[1.7]	1
0.093/0.097 [2.3]/[2.4]	0

TABLE II

CONNECTOR SIZE	PLUG	RECEPTACLE		
		FLANGED	FLANGELESS	
		WEIGHT lbs.[gr.] MAX.		
1 INCH	W/EARS	.0514 [23.315]	.0731 [33.158]	.0606 [27.488]
	W/O EARS	.0422 [19.196]	.0555 [25.174]	.0430 [19.504]
2 INCH	W/EARS	.0765 [34.699]	.1292 [58.604]	.1021 [46.312]
	W/O EARS	.0494 [22.407]	.0851 [38.601]	.0580 [26.308]

12. THE CORRECT MATING PART FOR A RAYCHEM MTC50 PLUG SHELL IS A RAYCHEM MTC50 RECEPTACLE SHELL. THE SPECIFIED PERFORMANCE OF THIS CONNECTOR IS BASED ON TEST PERFORMANCE WHEN ASSEMBLED WITH THE CORRECT MATING PART.

THIS DRAWING IS A CONTROLLED DOCUMENT.

DIMENSIONS: INCHES	TOLERANCES UNLESS OTHERWISE SPECIFIED:	DIN C.C.THOMAS 27JAN2014	TE Connectivity
0. PLC ± .01	1. PLC ± .02 [0.5]	CHK K.HOGAN 1-27-13	
1. PLC ± .02 [0.5]	2. PLC ± .005 [0.13]	APVD K.HOGAN 1-27-13	NAME HOUSING ASSEMBLY, PLUG AND RECEPTACLE MTC50 SERIES
2. PLC ± .005 [0.13]	3. PLC ± .005 [0.13]	PRODUCT SPEC	APPLICATION SPEC
3. PLC ± .005 [0.13]	4. PLC ± .005 [0.13]	SIZE	CAGE CODE DRAWING NO
4. PLC ± .005 [0.13]	ANGLES ± .005 [0.13]	WEIGHT	RESTRICTED TO
MATERIAL	FINISH	A1 00779	SCALE NTS SHEET 2 OF 2 REV P
CUSTOMER DRAWING			

Данный компонент на территории Российской Федерации

Вы можете приобрести в компании MosChip.

Для оперативного оформления запроса Вам необходимо перейти по данной ссылке:

<http://moschip.ru/get-element>

Вы можете разместить у нас заказ для любого Вашего проекта, будь то серийное производство или разработка единичного прибора.

В нашем ассортименте представлены ведущие мировые производители активных и пассивных электронных компонентов.

Нашей специализацией является поставка электронной компонентной базы двойного назначения, продукции таких производителей как XILINX, Intel (ex.ALTERA), Vicor, Microchip, Texas Instruments, Analog Devices, Mini-Circuits, Amphenol, Glenair.

Сотрудничество с глобальными дистрибьюторами электронных компонентов, предоставляет возможность заказывать и получать с международных складов практически любой перечень компонентов в оптимальные для Вас сроки.

На всех этапах разработки и производства наши партнеры могут получить квалифицированную поддержку опытных инженеров.

Система менеджмента качества компании отвечает требованиям в соответствии с ГОСТ Р ИСО 9001, ГОСТ РВ 0015-002 и ЭС РД 009

Офис по работе с юридическими лицами:

105318, г.Москва, ул.Щербаковская д.3, офис 1107, 1118, ДЦ «Щербаковский»

Телефон: +7 495 668-12-70 (многоканальный)

Факс: +7 495 668-12-70 (доб.304)

E-mail: info@moschip.ru

Skype отдела продаж:

moschip.ru

moschip.ru_4

moschip.ru_6

moschip.ru_9