

**PLEASE CHECK WWW.MOLEX.COM FOR LATEST PART INFORMATION**

**Part Number:** [0473370001](#)  
**Status:** **Active**  
**Description:** Camera Socket for Mobile Phone, Top Mount, SMT, Side Contact Type, 8.5x8.5

**Documents:**

[3D Model](#) [Product Specification PS-47337-001 \(PDF\)](#)  
[Drawing \(PDF\)](#) [RoHS Certificate of Compliance \(PDF\)](#)

**General**

Product Family	Other Sockets
Series	<a href="#">47337</a>
Component Type	Socket
Product Name	Camera Socket

**Physical**

Circuits (Loaded)	24
Circuits (maximum)	24
Color - Resin	Black
Durability (mating cycles max)	30
Entry Angle	Vertical
Keying to Mating Part	Yes
Material - Metal	Phosphor Bronze
Material - Plating Mating	Gold
Material - Plating Termination	Gold
Material - Resin	High Temperature Thermoplastic
PCB Locator	No
PCB Retention	N/A
PCB Thickness Recommended (in)	0.020 In
PCB Thickness Recommended (mm)	0.50 mm
Packaging Type	Embossed Tape on Reel
Pitch - Mating Interface (in)	0.035 In
Pitch - Mating Interface (mm)	0.90 mm
Pitch - Term. Interface (in)	0.035 In
Pitch - Term. Interface (mm)	0.90 mm
Plating min: Mating (µin)	12
Plating min: Mating (µm)	0.3
Plating min: Termination (µin)	3
Plating min: Termination (µm)	0.075
Temperature Range - Operating	-55°C to +85°C
Termination Interface: Style	Surface Mount

**Electrical**

Current - Maximum per Contact	0.5A
Voltage - Maximum	50V DC

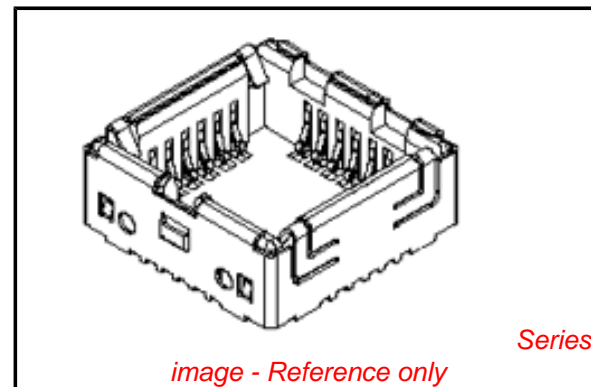
**Solder Process Data**

Duration at Max. Process Temperature (seconds)	10
Lead-free Process Capability	Reflow Capable (SMT only)
Max. Cycles at Max. Process Temperature	1
Process Temperature max. C	250

**Material Info**

**Reference - Drawing Numbers**

Product Specification	PS-47337-001
Sales Drawing	SD-47337-001



**EU RoHS**

**ELV and RoHS  
Compliant**  
**REACH SVHC**  
 Not Reviewed  
**Halogen-Free  
Status**  
**Not Reviewed**

**China RoHS**



**Need more information on product  
environmental compliance?**

Email [productcompliance@molex.com](mailto:productcompliance@molex.com)  
 For a multiple part number RoHS Certificate of  
 Compliance, [click here](#)

Please visit the [Contact Us](#) section for any  
 non-product compliance questions.

**Search Parts in this Series**

[47337Series](#)

**Mates With**

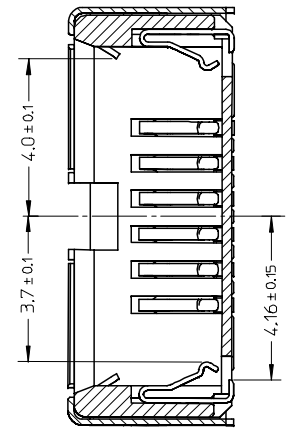
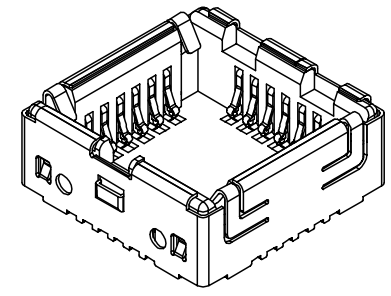
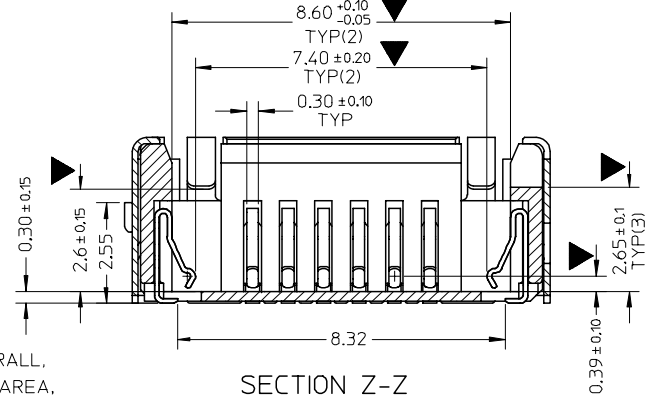
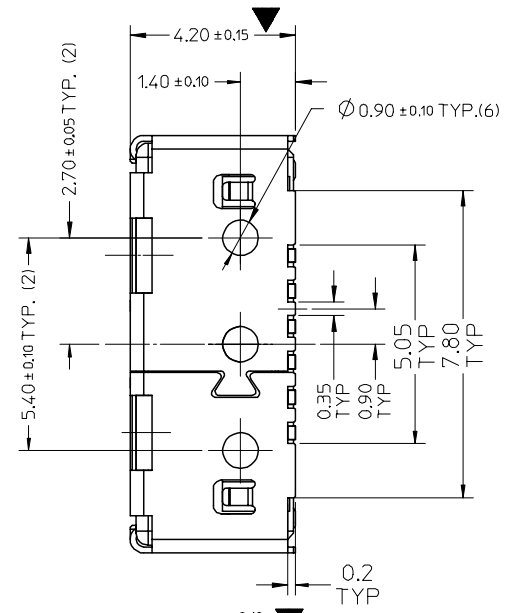
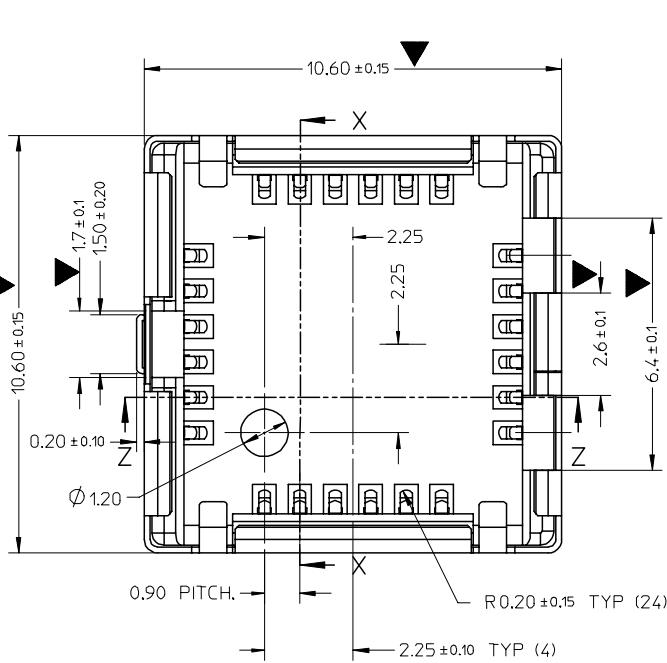
[Camera Module](#)

**Use With**

[47337-0005 Cap](#)

This document was generated on 03/31/2010

**PLEASE CHECK [WWW.MOLEX.COM](http://WWW.MOLEX.COM) FOR LATEST PART INFORMATION**

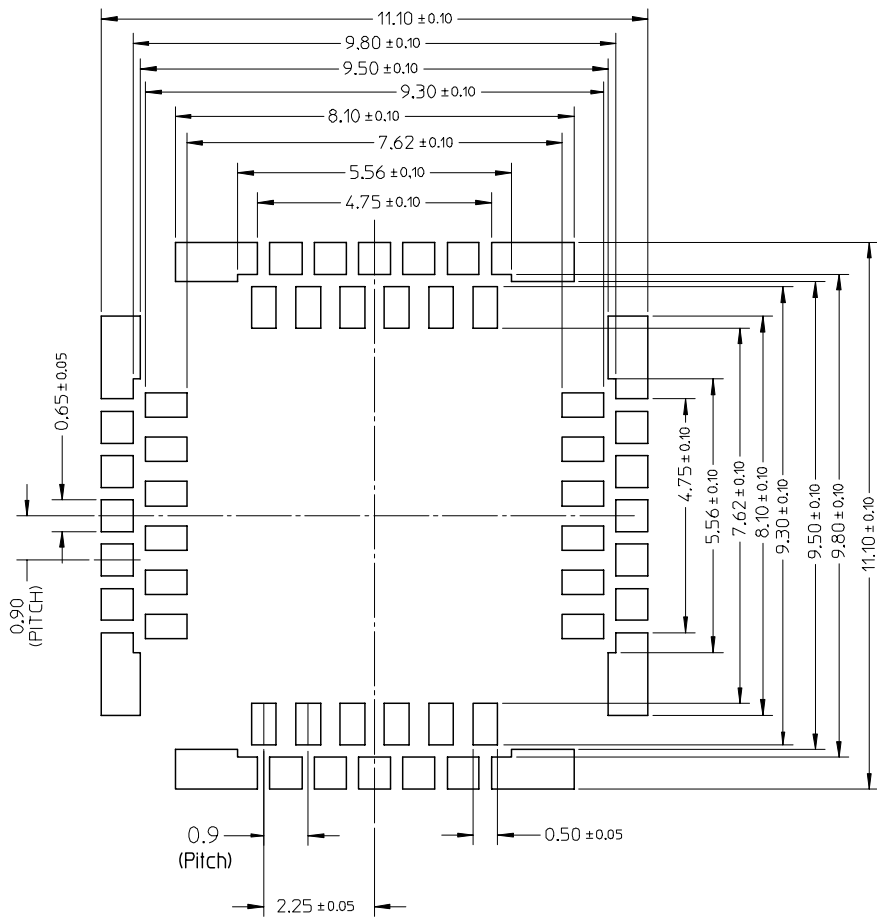


SECTION X-X

- NOTES:
- MATERIALS  
HOUSING: POLYAMIDE, BLACK, UL94 V-0  
TERMINAL: COPPER ALLOY.  
SHELL: COPPER ALLOY.  
TOP SHIELD: STAINLESS STEEL
  - FINISH  
TERMINAL: 2-4 MICROMETER NICKEL UNDERPLATING OVERALL,  
GOLD PLATING 0.3 MICROMETER ON CONTACT AREA,  
GOLD FLASH PLATING ON SOLDER AREA.  
SHELL: 2-4 MICROMETER NICKEL UNDERPLATING OVERALL,  
GOLD FLASH PLATING ON SOLDER AREA.
  - PRODUCT SPECIFICATION: PS-47337-001
  - PAKAGING: TAPE&REEL
  - COPLANALITY TO BE 0.10MM MAX.
  - APPLICABLE TOP COVER 473370005.
  - APPLICABLE CAMERA MODULE SEE SHEET 3.
  - THE DRAWING EDITION 9 WILL MEET TOM LU'S DRAWING EDITON S6

SECTION Z-Z

RELEASE EC NO: 2006/06/16 DRWN: IHE 2006/06/23 CHKD: XIXU 2006/06/26 APPR: JNCHEN 2006/06/26	QUALITY SYMBOLS	GENERAL TOLERANCES (UNLESS SPECIFIED)	DIMENSION STYLE	SCALE	DESIGN UNITS	THIRD ANGLE PROJECTION															
	▽=12 ∇=0	<table border="1"> <thead> <tr> <th></th> <th>mm</th> <th>INCH</th> </tr> </thead> <tbody> <tr> <td>4 PLACES</td> <td>± ---</td> <td>± ---</td> </tr> <tr> <td>3 PLACES</td> <td>± ---</td> <td>± ---</td> </tr> <tr> <td>2 PLACES</td> <td>± 0.10</td> <td>± ---</td> </tr> <tr> <td>1 PLACE</td> <td>± 0.15</td> <td>± ---</td> </tr> </tbody> </table>		mm	INCH	4 PLACES	± ---	± ---	3 PLACES	± ---	± ---	2 PLACES	± 0.10	± ---	1 PLACE	± 0.15	± ---	MM ONLY	8:1	METRIC	
		mm	INCH																		
	4 PLACES	± ---	± ---																		
3 PLACES	± ---	± ---																			
2 PLACES	± 0.10	± ---																			
1 PLACE	± 0.15	± ---																			
DESCRIPTION	DRAFT WHERE APPLICABLE MUST REMAIN WITHIN DIMENSIONS	<table border="1"> <thead> <tr> <th>DRAWN BY</th> <th>DATE</th> <th>TITLE</th> </tr> </thead> <tbody> <tr> <td>IVAN HE</td> <td>2006/06/16</td> <td rowspan="2">8.5*8.5 CAMERA SOCKET SMT.SIDE CONTACT TYPE TOP MOUNT</td> </tr> <tr> <td>CHKD: XIXU</td> <td>2006/06/16</td> </tr> <tr> <td>APPROVED BY</td> <th>DATE</th> <td rowspan="2">MOLEX INCORPORATED</td> </tr> <tr> <td>JENNY CHEN</td> <td>2006/06/16</td> </tr> </tbody> </table>	DRAWN BY	DATE	TITLE	IVAN HE	2006/06/16	8.5*8.5 CAMERA SOCKET SMT.SIDE CONTACT TYPE TOP MOUNT	CHKD: XIXU	2006/06/16	APPROVED BY	DATE	MOLEX INCORPORATED	JENNY CHEN	2006/06/16						
DRAWN BY	DATE	TITLE																			
IVAN HE	2006/06/16	8.5*8.5 CAMERA SOCKET SMT.SIDE CONTACT TYPE TOP MOUNT																			
CHKD: XIXU	2006/06/16																				
APPROVED BY	DATE	MOLEX INCORPORATED																			
JENNY CHEN	2006/06/16																				
REV			MATERIAL NO.	DOCUMENT NO.	SHEET NO.																
A			473370001	SD-47337-001	1 OF 3																



RECOMMENDED PCB LAYOUT

RELEASE	2006/06/16
EC NO:	2006/06/23
DRWN: IHE	2006/06/23
CHKD: XIXU	
APPR: JNCHEN	2006/06/26
REV	
A	

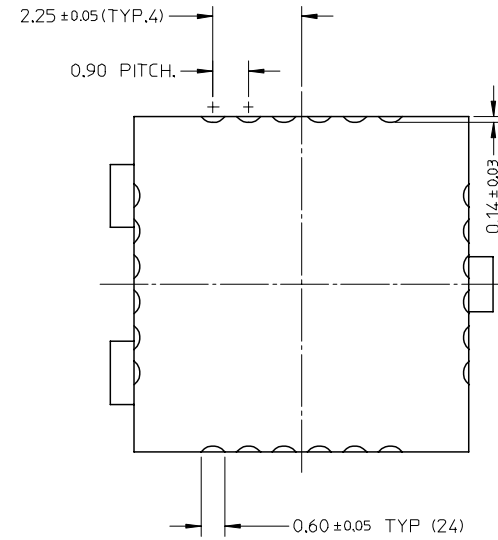
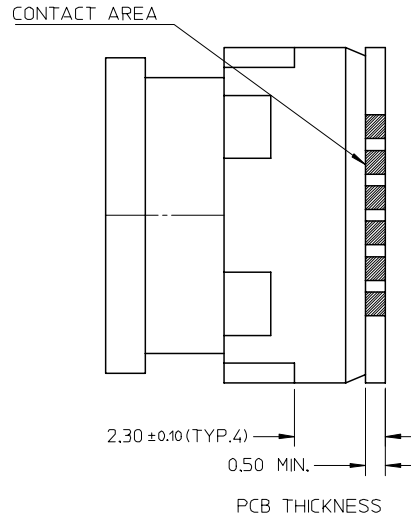
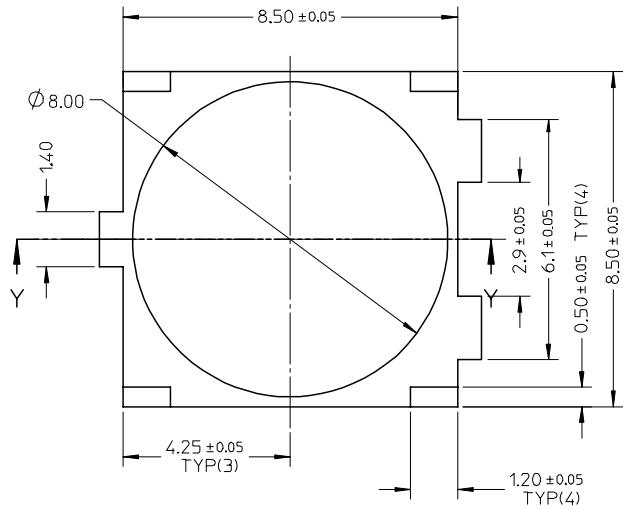
QUALITY SYMBOLS	DESCRIPTION
▽=0	
∇=0	

GENERAL TOLERANCES (UNLESS SPECIFIED)	
	mm
	INCH
4 PLACES	± 0.10
3 PLACES	± 0.15
2 PLACES	± 0.20
1 PLACE	± 0.25
ANGULAR ± 1	
DRAFT WHERE APPLICABLE MUST REMAIN WITHIN DIMENSIONS	

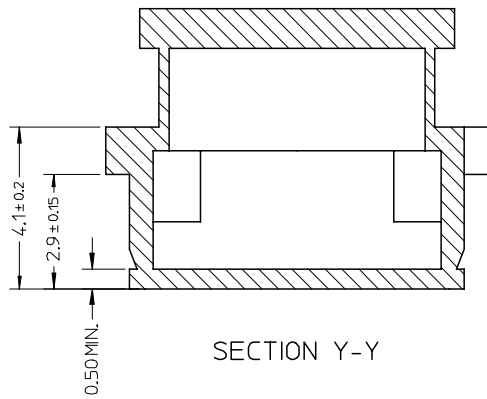
DIMENSION STYLE	
MM ONLY	
DRAWN BY	DATE
IVAN HE	2006/06/16
CHECKED BY	DATE
XIXU	2006/06/16
APPROVED BY	DATE
JENNY CHEN	2006/06/16
MATERIAL NO.	
47337-0001	

SCALE	DESIGN UNITS	THIRD ANGLE PROJECTION
10:1	METRIC	
TITLE		
8.5*8.5 CAMERA SOCKET SMT.SIDE CONTACT TYPE TOP MOUNT		
MOLEX INCORPORATED		
DOCUMENT NO.		SHEET NO.
SD-47337-001		2 OF 3
THIS DRAWING CONTAINS INFORMATION THAT IS PROPRIETARY TO MOLEX INCORPORATED AND SHOULD NOT BE USED WITHOUT WRITTEN PERMISSION		

# APPLIED CAMERA MODULE



FOR PCB (PTH)



SECTION Y-Y

RELEASE EC NO: DRWN: IHE CHKD: XIXU APPR: JNCHEN	2006/06/16 2006/06/23 2006/06/26	DESCRIPTION REV	QUALITY SYMBOLS	GENERAL TOLERANCES (UNLESS SPECIFIED)	DIMENSION STYLE	SCALE	DESIGN UNITS	THIRD ANGLE PROJECTION
			$\nabla=0$ $\sphericalangle=0$	mm      INCH	MM ONLY	8:1	METRIC	THIRD ANGLE PROJECTION
			4 PLACES ± --- ± --- 3 PLACES ± --- ± --- 2 PLACES ± 0.10 ± --- 1 PLACE ± 0.15 ± ---	DRAWN BY      DATE IVAN HE      2006/06/16 CHECKED BY      DATE XIXU      2006/06/16 APPROVED BY      DATE JENNY CHEN      2006/06/16	TITLE	8.5*8.5 CAMERA SOCKET SMT.SIDE CONTACT TYPE TOP MOUNT		
			ANGULAR ± 1 °	MATERIAL NO. 47337-0001	DOCUMENT NO. SD-47337-001	SHEET NO. 3 OF 3		
A			DRAFT WHERE APPLICABLE MUST REMAIN WITHIN DIMENSIONS	SIZE A3	THIS DRAWING CONTAINS INFORMATION THAT IS PROPRIETARY TO MOLEX INCORPORATED AND SHOULD NOT BE USED WITHOUT WRITTEN PERMISSION			

## Данный компонент на территории Российской Федерации

### Вы можете приобрести в компании MosChip.

Для оперативного оформления запроса Вам необходимо перейти по данной ссылке:

<http://moschip.ru/get-element>

Вы можете разместить у нас заказ для любого Вашего проекта, будь то серийное производство или разработка единичного прибора.

В нашем ассортименте представлены ведущие мировые производители активных и пассивных электронных компонентов.

Нашей специализацией является поставка электронной компонентной базы двойного назначения, продукции таких производителей как XILINX, Intel (ex.ALTERA), Vicor, Microchip, Texas Instruments, Analog Devices, Mini-Circuits, Amphenol, Glenair.

Сотрудничество с глобальными дистрибьюторами электронных компонентов, предоставляет возможность заказывать и получать с международных складов практически любой перечень компонентов в оптимальные для Вас сроки.

На всех этапах разработки и производства наши партнеры могут получить квалифицированную поддержку опытных инженеров.

Система менеджмента качества компании отвечает требованиям в соответствии с ГОСТ Р ИСО 9001, ГОСТ РВ 0015-002 и ЭС РД 009

### Офис по работе с юридическими лицами:

105318, г.Москва, ул.Щербаковская д.3, офис 1107, 1118, ДЦ «Щербаковский»

Телефон: +7 495 668-12-70 (многоканальный)

Факс: +7 495 668-12-70 (доб.304)

E-mail: [info@moschip.ru](mailto:info@moschip.ru)

Skype отдела продаж:

moschip.ru

moschip.ru\_4

moschip.ru\_6

moschip.ru\_9