

PLEASE CHECK WWW.MOLEX.COM FOR LATEST PART INFORMATION

Part Number: [0687860002](#)
Status: **Active**
Overview: [type d micro connectors](#)
Description: HDMI Type D-to-Type A Cable Assembly, CAT 2, AWG 34, 1.5m (4.92'), Lead free

Documents:

[Drawing \(PDF\)](#) [RoHS Certificate of Compliance \(PDF\)](#)

General

Product Family	Cable Assemblies
Series	68786
Connector to Connector	HDMI* Type D-to-Type A
Overview	type d micro connectors
Product Name	HDMI*, Micro HDMI*

Physical

Cable Length	1.50m (4.92')
Circuits (Loaded)	19
Gender	Male-Male
Lock to Mating Part	Yes
Material - Resin	Polyethylene, PVC
Pitch - Mating Interface (in)	0.016 In, 0.039 In
Pitch - Mating Interface (mm)	0.40 mm, 1.00 mm
Single Ended	No
Wire Size AWG	34
Wire/Cable Type	Round

Electrical

Shield Type	Full Shield
Shielded	Yes
Voltage - Maximum	30V

Material Info

Reference - Drawing Numbers

Sales Drawing	SD-68786-001
---------------	--------------

* High Definition Multimedia Interface and HDMI are trademarks of HDMI Licensing, LLC.



EU RoHS

**ELV and RoHS
Compliant**
**REACH SVHC
Not Reviewed**
**Halogen-Free
Status**

China RoHS



**Need more information on product
environmental compliance?**

Email productcompliance@molex.com
 For a multiple part number RoHS Certificate of
 Compliance, [click here](#)

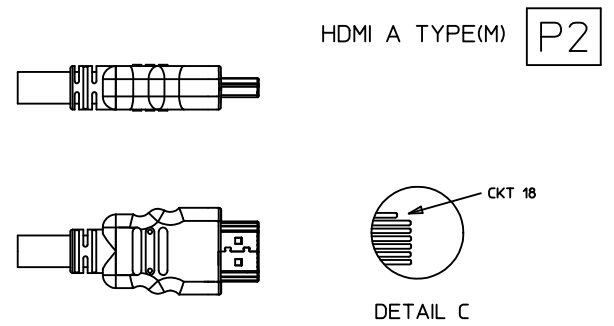
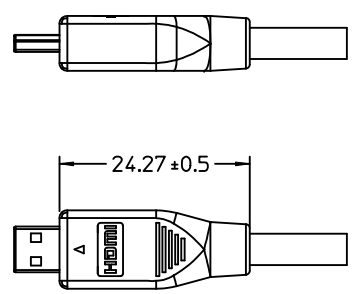
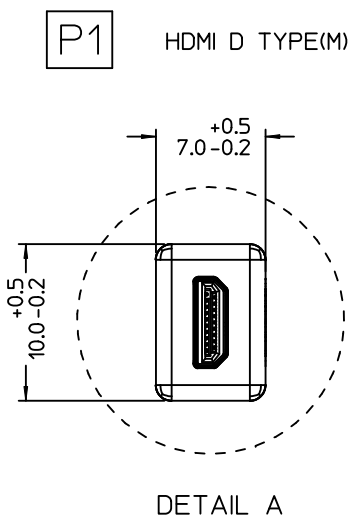
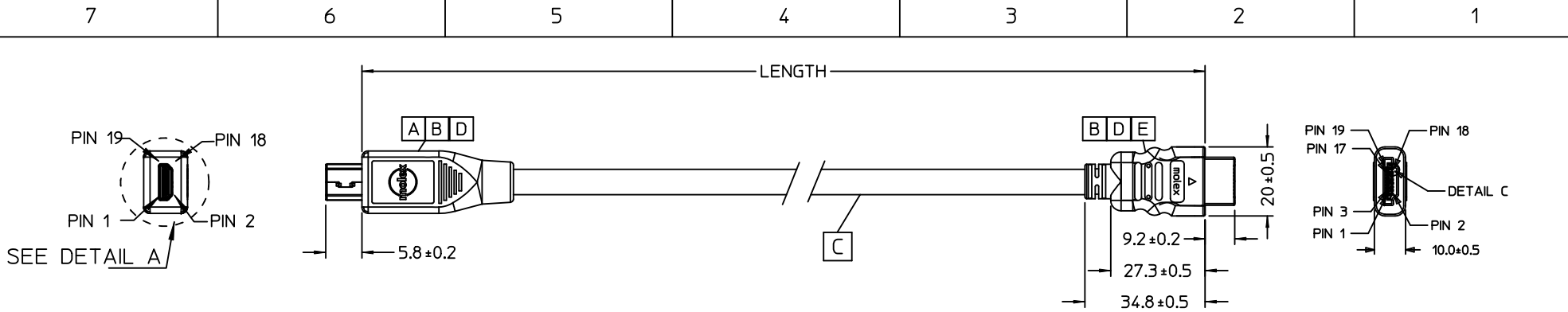
Please visit the [Contact Us](#) section for any
 non-product compliance questions.

Search Parts in this Series

68786Series

Mates With

46765 HDMI Type D Micro Connectors



P/N	L&TOL.(mm)	DESCRIPTION
687860001	1000±20	HDMI A-D CABLE ASSEMBLY BLK,0D3.7,34AWG
687860002	1500±20	HDMI A-D CABLE ASSEMBLY BLK,0D3.7,34AWG
687860003	2000±30	HDMI A-D CABLE ASSEMBLY BLK,0D4.2,32AWG
687860006	1500±20	HDMI A-D CABLE ASSEMBLY BLK,0D3.2,36AWG

CHANGE 34AWG CABLE INNER WIRE COLOR EC NO: DG2010-0162 DRW: FZHANG01 CHK: D:ARTHUR APPR: BLAU	2010/02/23 2010/02/23 2010/02/24	QUALITY SYMBOLS ▽=0 ◻=0	GENERAL TOLERANCES (UNLESS SPECIFIED)		DIMENSION STYLE MM ONLY		SCALE ---	DESIGN UNITS METRIC	THIRD ANGLE PROJECTION
	DESCRIPTION REV		mm INCH	DRAWN BY FZHANG01	DATE 2010/02/23	TITLE HDMI TYPE A TO TYPE D CABLE ASSEMBLY			
			4 PLACES ± --- ± --- 3 PLACES ± --- ± --- 2 PLACES ± --- ± --- 1 PLACE ± --- ± ---	CHECKED BY ARTHUR	DATE 2010/02/23	MOLEX INCORPORATED			
			ANGULAR ± 1 °	APPROVED BY BLAU	DATE 2010/02/24	DOCUMENT NO. SD-68786-001	SHEET NO. 1 OF 2		

DRAFT WHERE APPLICABLE
MUST REMAIN
WITHIN DIMENSIONS

SIZE
A 4

THIS DRAWING CONTAINS INFORMATION THAT IS PROPRIETARY TO MOLEX INCORPORATED AND SHOULD NOT BE USED WITHOUT WRITTEN PERMISSION

WIRE CHART FOR CABLE 32AWG

P1	FUNCTION	P2	WIRE COLOR
Pin 1	HOT PLUG DETECT	Pin 19	BLACK
Pin 2	UTILITY	Pin14	BROWN
Pin 3	TMDS DATA2+	Pin 1	WHITE
Pin 4	TMDS DATA2 GND	Pin 2	DRAIN WIRE
Pin 5	TMDS DATA2-	Pin 3	RED
Pin 6	TMDS DATA1+	Pin 4	WHITE
Pin 7	TMDS DATA1 GND	Pin 5	DRAIN WIRE
Pin 8	TMDS DATA1-	Pin 6	GREEN
Pin 9	TMDS DATA0+	Pin 7	WHITE
Pin 10	TMDS DATA0 GND	Pin 8	DRAIN WIRE
Pin 11	TMDS DATA0-	Pin 9	BLUE
Pin 12	TMDS CLOCK+	Pin 10	WHITE
Pin 13	TMDS CLOCK GND	Pin 11	DRAIN WIRE
Pin 14	TMDS CLOCK-	Pin 12	YELLOW
Pin 15	CEC	Pin 13	RED
Pin 16	DDC/CEC GND	Pin 17	YELLOW
Pin 17	SCL	Pin 15	GREEN
Pin 18	SDA	Pin 16	BLUE
Pin 19	+5V POWER	Pin 18	WHITE
SHELL		SHELL	BRAID

WIRE CHART FOR CABLE 34AWG

P1	FUNCTION	P2	WIRE COLOR
Pin 1	HOT PLUG DETECT	Pin 19	ORANGE
Pin 2	UTILITY	Pin14	BROWN
Pin 3	TMDS DATA2+	Pin 1	WHITE
Pin 4	TMDS DATA2 GND	Pin 2	DRAIN WIRE
Pin 5	TMDS DATA2-	Pin 3	RED
Pin 6	TMDS DATA1+	Pin 4	WHITE
Pin 7	TMDS DATA1 GND	Pin 5	DRAIN WIRE
Pin 8	TMDS DATA1-	Pin 6	GREEN
Pin 9	TMDS DATA0+	Pin 7	WHITE
Pin 10	TMDS DATA0 GND	Pin 8	DRAIN WIRE
Pin 11	TMDS DATA0-	Pin 9	BROWN
Pin 12	TMDS COLOK+	Pin 10	WHITE
Pin 13	TMDS COLOK GND	Pin 11	DRAIN WIRE
Pin 14	TMDS COLOK-	Pin 12	BLUE
Pin 15	CEC	Pin 13	RED
Pin 16	DDC/CEC GND	Pin 17	YELLOW
Pin 17	SCL	Pin 15	GREEN
Pin 18	SDA	Pin 16	BLUE
Pin 19	+5V POWER	Pin 18	WHITE
SHELL		SHELL	BRAID


WIRE CHART FOR CABLE 36AWG

P1	FUNCTION	P2	WIRE COLOR
Pin 1	HOT PLUG DETECT	Pin 19	RED
Pin 2	UTILITY	Pin14	BLUE
Pin 3	TMDS DATA2+	Pin 1	WHITE
Pin 4	TMDS DATA2 GND	Pin 2	DRAIN WIRE
Pin 5	TMDS DATA2-	Pin 3	RED
Pin 6	TMDS DATA1+	Pin 4	WHITE
Pin 7	TMDS DATA1 GND	Pin 5	DRAIN WIRE
Pin 8	TMDS DATA1-	Pin 6	GREEN
Pin 9	TMDS DATA0+	Pin 7	WHITE
Pin 10	TMDS DATA0 GND	Pin 8	DRAIN WIRE
Pin 11	TMDS DATA0-	Pin 9	BLUE
Pin 12	TMDS COLOK+	Pin 10	WHITE
Pin 13	TMDS COLOK GND	Pin 11	DRAIN WIRE
Pin 14	TMDS COLOK-	Pin 12	BROWN
Pin 15	CEC	Pin 13	WHITE
Pin 16	DDC/CEC GND	Pin 17	GREEN
Pin 17	SCL	Pin 15	BROWN
Pin 18	SDA	Pin 16	YELLOW
Pin 19	+5V POWER	Pin 18	ORANGE
SHELL		SHELL	BRAID

NOTES:

- BOTH SIDE INNERMOLD WITH PE RESIN.
BOTH SIDE INNERMOLD WITH PVC RESIN.
- PRODUCT CAN MEET HDMI SPECIFICATION.
- THIS PRODUCT MUST MEET EU2002/95 ROHS REQUIREMENTS.

E	HDMI A HOUSING ASSEMBLY	1
D	LOCTITE 416 GLUE	AS
C	RAW CABLE (SEE TABLE)	AS
B	COPPER FOIL	2
A	MICRO HDMI CONNECTOR	1
ITEM	DESCRIPTION	QTY.

CHANGE 34AWG CABLE INNER WIRE COLOR EC NO: DG2010-0162 DRWN:FZHANG01 2010/02/23 CHKD:ARTHUR 2010/02/23 APPR:BLAU 2010/02/24	QUALITY SYMBOLS ▽=0 ▽=0	GENERAL TOLERANCES (UNLESS SPECIFIED)		DIMENSION STYLE MM ONLY		SCALE ---	DESIGN UNITS METRIC	THIRD ANGLE PROJECTION			
				mm	INCH	DRAWN BY FZHANG01	DATE 2010/02/23	TITLE HDMI TYPE A TO TYPE D CABLE ASSEMBLY			
		4 PLACES ± --- ± ---		3 PLACES ± --- ± ---		CHECKED BY ARTHUR		DATE 2010/02/23		 MOLEX INCORPORATED DOCUMENT NO. SD-68786-001	
		2 PLACES ± --- ± ---		1 PLACE ± --- ± ---		APPROVED BY BLAU		DATE 2010/02/24			
DRAFT WHERE APPLICABLE MUST REMAIN WITHIN DIMENSIONS		ANGULAR ± 1 °		MATERIAL NO. SEE TABLE		THIS DRAWING CONTAINS INFORMATION THAT IS PROPRIETARY TO MOLEX INCORPORATED AND SHOULD NOT BE USED WITHOUT WRITTEN PERMISSION					

Данный компонент на территории Российской Федерации

Вы можете приобрести в компании MosChip.

Для оперативного оформления запроса Вам необходимо перейти по данной ссылке:

<http://moschip.ru/get-element>

Вы можете разместить у нас заказ для любого Вашего проекта, будь то серийное производство или разработка единичного прибора.

В нашем ассортименте представлены ведущие мировые производители активных и пассивных электронных компонентов.

Нашей специализацией является поставка электронной компонентной базы двойного назначения, продукции таких производителей как XILINX, Intel (ex.ALTERA), Vicor, Microchip, Texas Instruments, Analog Devices, Mini-Circuits, Amphenol, Glenair.

Сотрудничество с глобальными дистрибьюторами электронных компонентов, предоставляет возможность заказывать и получать с международных складов практически любой перечень компонентов в оптимальные для Вас сроки.

На всех этапах разработки и производства наши партнеры могут получить квалифицированную поддержку опытных инженеров.

Система менеджмента качества компании отвечает требованиям в соответствии с ГОСТ Р ИСО 9001, ГОСТ РВ 0015-002 и ЭС РД 009

Офис по работе с юридическими лицами:

105318, г.Москва, ул.Щербаковская д.3, офис 1107, 1118, ДЦ «Щербаковский»

Телефон: +7 495 668-12-70 (многоканальный)

Факс: +7 495 668-12-70 (доб.304)

E-mail: info@moschip.ru

Skype отдела продаж:

moschip.ru

moschip.ru_4

moschip.ru_6

moschip.ru_9