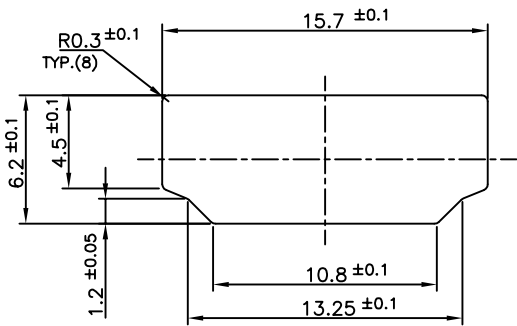
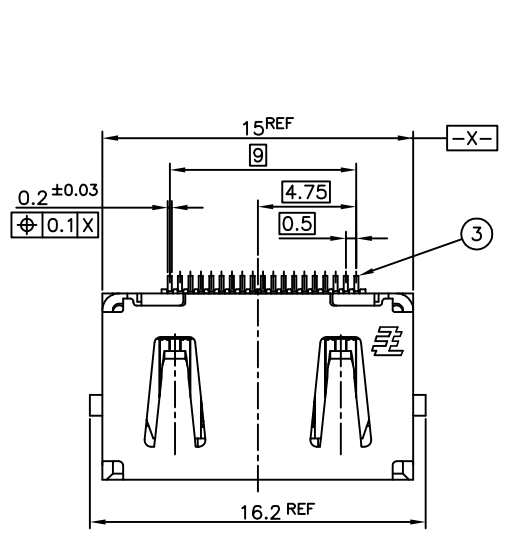


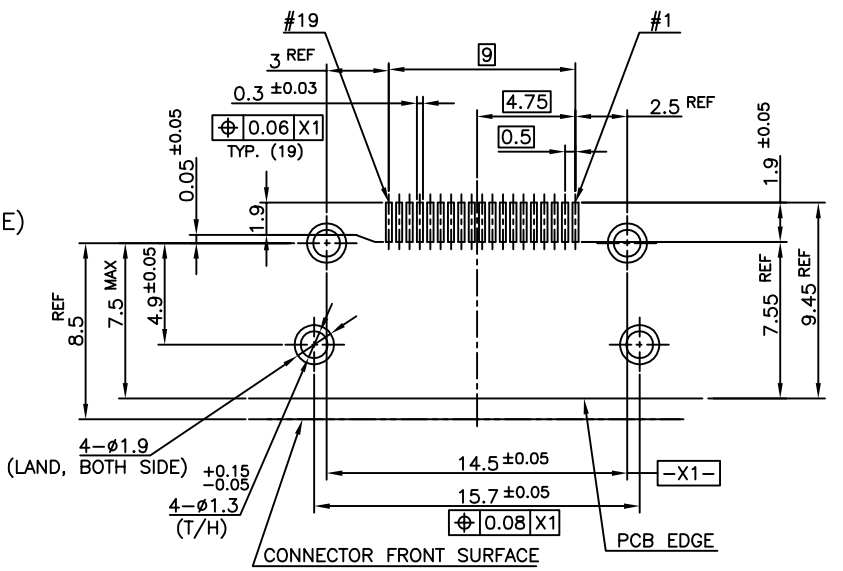


THIS DRAWING IS UNPUBLISHED. RELEASED FOR PUBLICATION SEP ,2005.  
 © COPYRIGHT 2005 By - ALL RIGHTS RESERVED.

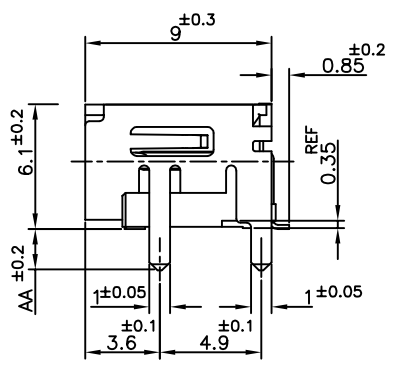
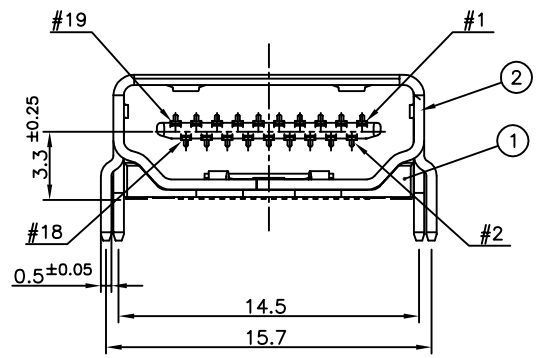
LOC		DIST		REVISIONS			DATE	DWN	APVD
				変更					
P	LTR	DESCRIPTION							
-	-	SEE SHEET 1			-	-	-	-	-



PANEL CUT OUT DIMENSION (REFERENCE)

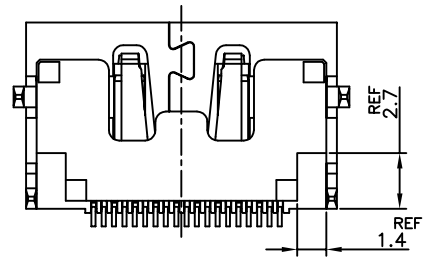


P.C.B LAYOUT (REFERENCE)  
 SHOWN AS CONNECTOR MOUNTING SIDE  
 TOLERANCE: NON-CUMULATIVE



BRASS	CONTACT	③
PHOSPHOR BRONZE	SHELL	②
GLASS FILLED LCP UL94V-0, BLACK COLOR	HOUSING	①
MATERIAL	DESCRIPTION	ITEM

CONNECTOR: WITHOUT FLANGE THROUGH HOLE TYPE

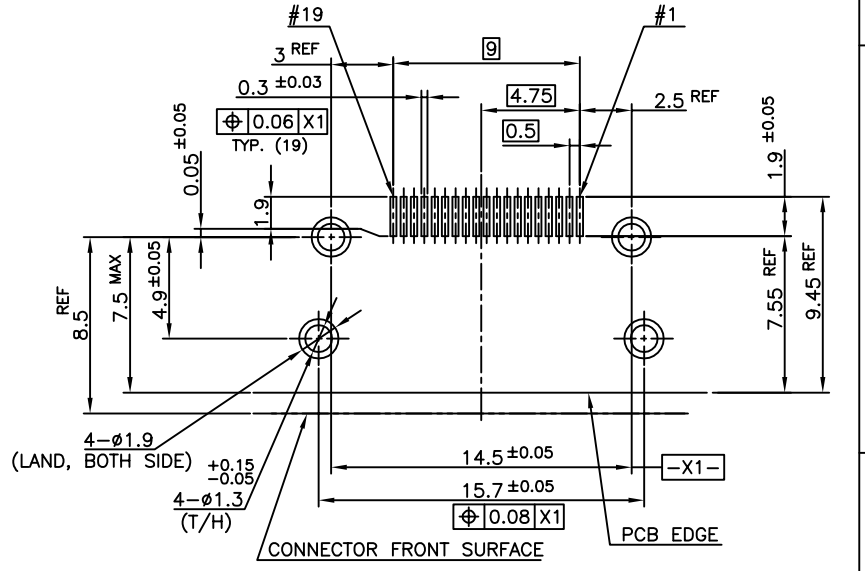
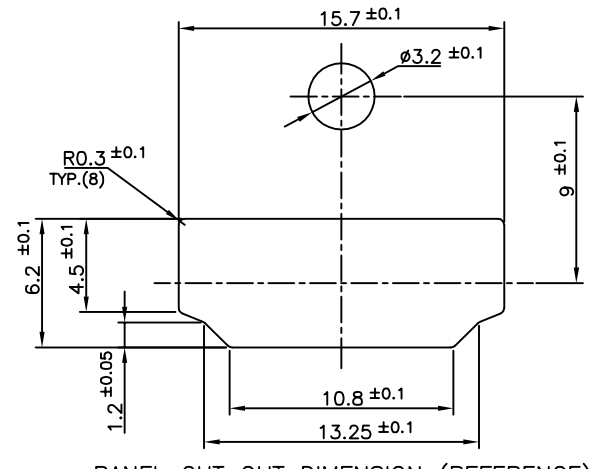
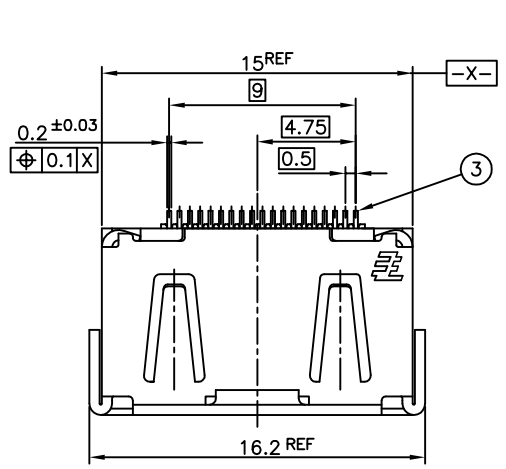


THIS DRAWING IS A CONTROLLED DOCUMENT.		DWN	<b>TE</b> TE Connectivity	
DIMENSIONS: 單位: 毫米 mm		CHK		
TOLERANCES UNLESS OTHERWISE SPECIFIED: 一般公差		APVD	NAME 名稱	
0 PLC ±		PRODUCT SPEC 製品規格	HDMI 19 POS RECEPTACLE ASSY SMT SHORT TYPE	
1 PLC ±		APPLICATION SPEC 取付適用規格	SIZE CAGE CODE DRAWING NO 圖號	
2 PLC ±		WEIGHT	A3 00779 C=1903015	
3 PLC ±		CUSTOMER DRAWING	RESTRICTED TO 番号	
4 PLC ±			SCALE 尺度 4:1 SHEET 2 OF 12 REV R	
ANGLES ±				
FINISH 仕上				



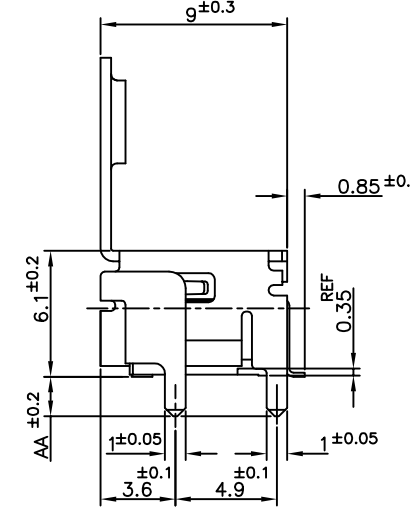
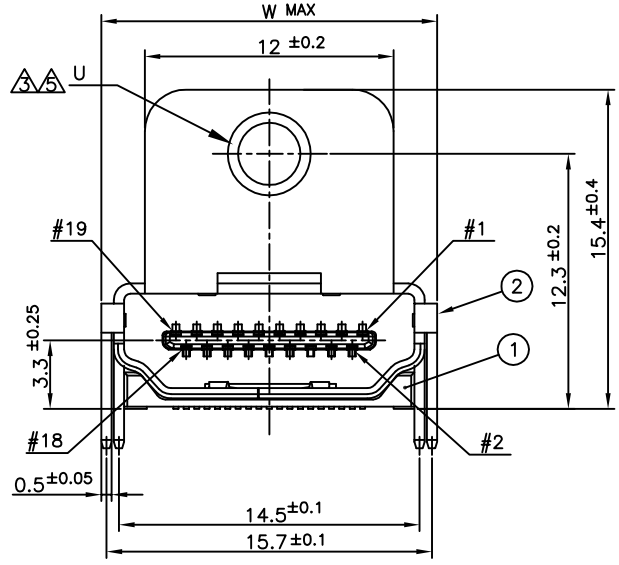
THIS DRAWING IS UNPUBLISHED. RELEASED FOR PUBLICATION SEP ,2005.  
 © COPYRIGHT 2005 By - ALL RIGHTS RESERVED.

LOC		DIST		REVISIONS			DATE	DWN	APVD
				變更					
P	LTR	DESCRIPTION							
-	-	SEE SHEET 1			-	-	-	-	-

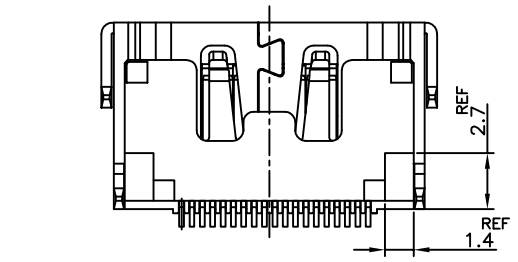


P.C.B LAYOUT (REFERENCE)  
 SHOWN AS CONNECTOR MOUNTING SIDE  
 TOLERANCE: NON-CUMULATIVE

POLYIMIDE	TAPE	(4)
BRASS	CONTACT	(3)
PHOSPHOR BRONZE	SHELL	(2)
GLASS FILLED LCP UL94V-0, BLACK COLOR	HOUSING	(1)
MATERIAL	DESCRIPTION	ITEM



CONNECTOR: WITH FLANGE THROUGH HOLE TYPE



THIS DRAWING IS A CONTROLLED DOCUMENT.

DIMENSIONS: 單位: 毫米 mm	TOLERANCES UNLESS OTHERWISE SPECIFIED: 一般公差	DWN	CHK	APVD	NAME 名稱
0 PLC ±	1 PLC ±	2 PLC ±	3 PLC ±	4 PLC ±	ANGLES ±
MATERIAL 材料	FINISH 仕上	PRODUCT SPEC 製品規格	APPLICATION SPEC 取付適用規格	WEIGHT	CUSTOMER DRAWING
		TE Connectivity HDMI 19 POS RECEPTACLE ASSY SMT SHORT TYPE			RESTRICTED TO
		SIZE A3	CAGE CODE 00779	DRAWING NO C=1903015	SCALE 尺度 4:1
		SHEET 4 OF 12		REV R	

THIS DRAWING IS UNPUBLISHED.

RELEASED FOR PUBLICATION

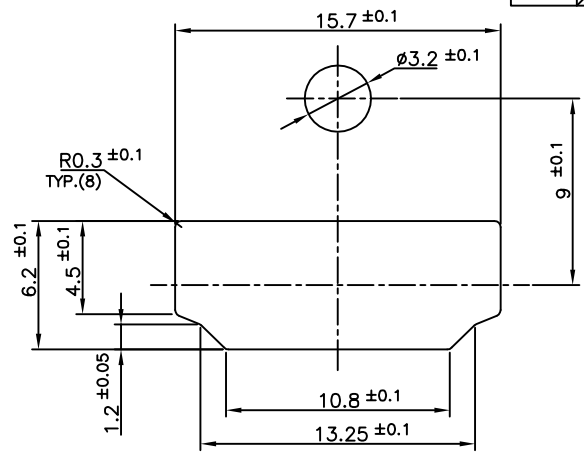
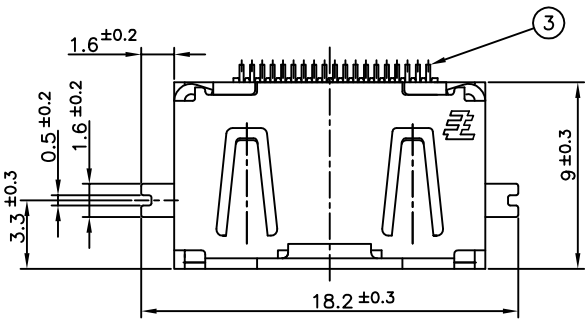
SEP ,2005.

© COPYRIGHT 2005 By -

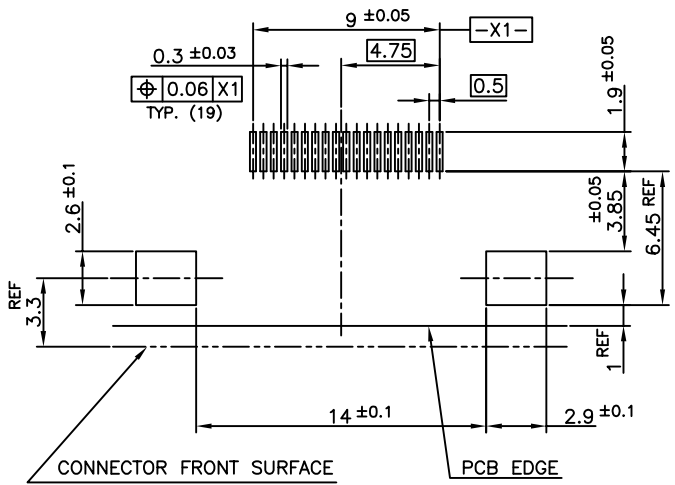
ALL RIGHTS RESERVED.

LOC	DIST
-	-

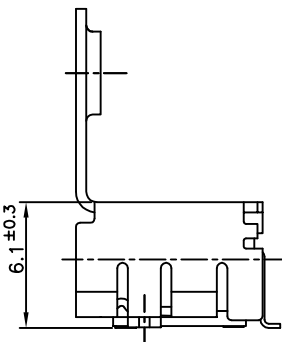
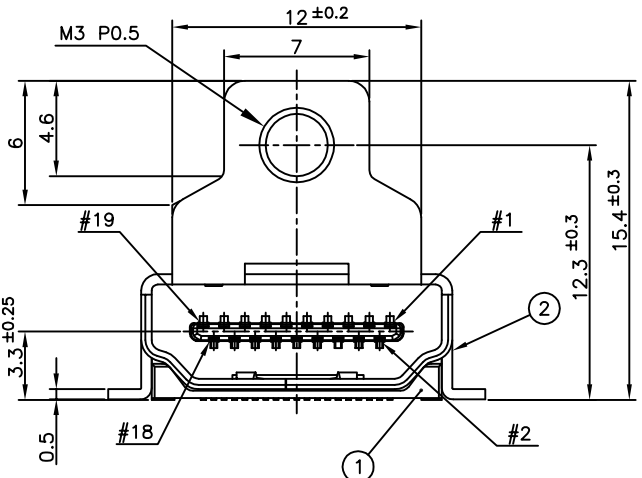
REVISIONS				
変更				
P	LTR	DESCRIPTION	DATE	APVD
-	-	SEE SHEET 1	-	-



PANEL CUT OUT DIMENSION (REFERENCE)

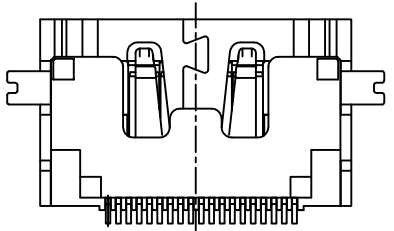


P.C.B LAYOUT (REFERENCE)  
SHOWN AS CONNECTOR MOUNTING SIDE  
TOLERANCE: NON-CUMULATIVE



CONNECTOR: WITH FLANGE FULL SMT TYPE

BRASS	CONTACT	(3)
PHOSPHOR BRONZE	SHELL	(2)
GLASS FILLED LCP UL94V-0, BLACK COLOR	HOUSING	(1)
MATERIAL	DESCRIPTION	ITEM



THIS DRAWING IS A CONTROLLED DOCUMENT.		DWN			
DIMENSIONS: 單位: 毫米 mm		CHK			
TOLERANCES UNLESS OTHERWISE SPECIFIED: 一般公差		APVD		NAME 名稱	
0 PLC ± 1 PLC ± 2 PLC ± 3 PLC ± 4 PLC ± ANGLES ±		PRODUCT SPEC 製品規格		HDMI 19 POS RECEPTACLE ASSY SMT SHORT TYPE	
MATERIAL 材料		FINISH 仕上		DRAWING NO 番号	
		WEIGHT		SIZE A3	
		CUSTOMER DRAWING		CAGE CODE 00779	
				DRAWING NO C=1903015	
				RESTRICTED TO	
				SCALE 尺度 4:1	
				SHEET 5 of 12	
				REV R	



THIS DRAWING IS UNPUBLISHED.

RELEASED FOR PUBLICATION

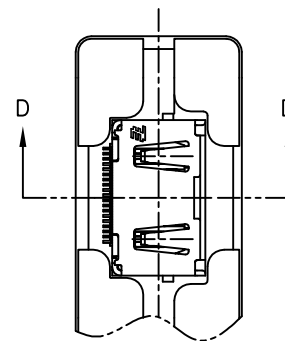
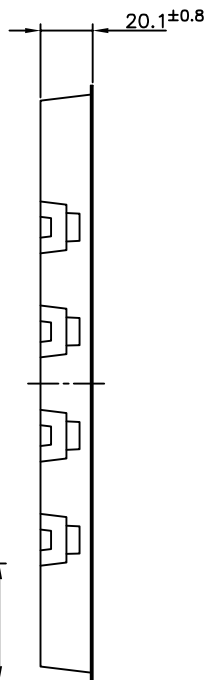
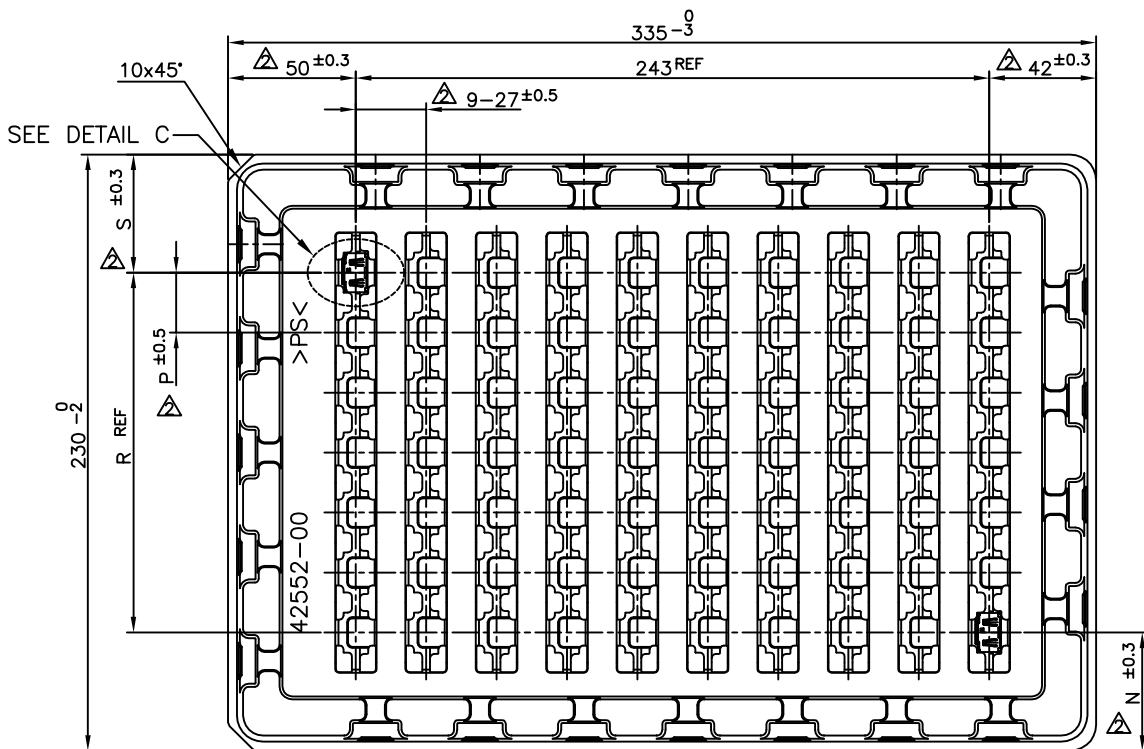
SEP ,2005.

© COPYRIGHT 2005 By -

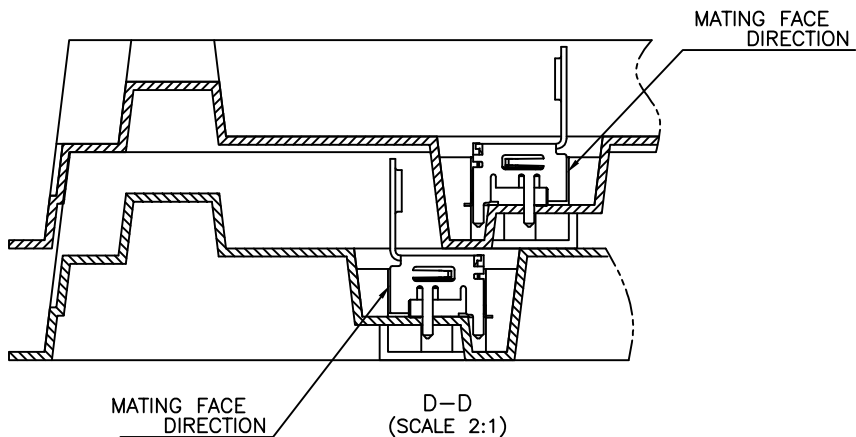
ALL RIGHTS RESERVED.

1903015-2, 1903015-5, 4-1903015-1, 5-1903015-2, 5-1903015-4  
8-1903015-4, 9-1903015-4; AS SHOWN

LOC	DIST	REVISIONS				
		変更		DATE	DWN	APVD
		P	LTR	DESCRIPTION		
		-	-	SEE SHEET 1	-	-



DETAIL C (SCALE 2:1)



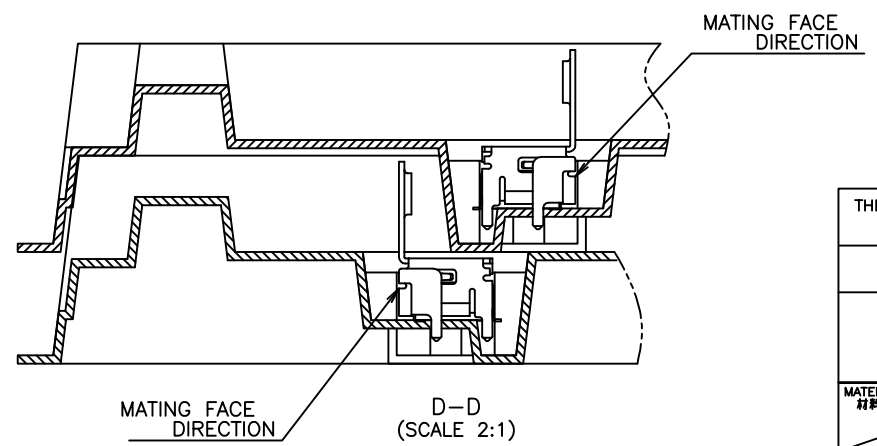
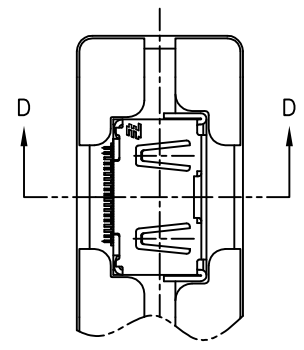
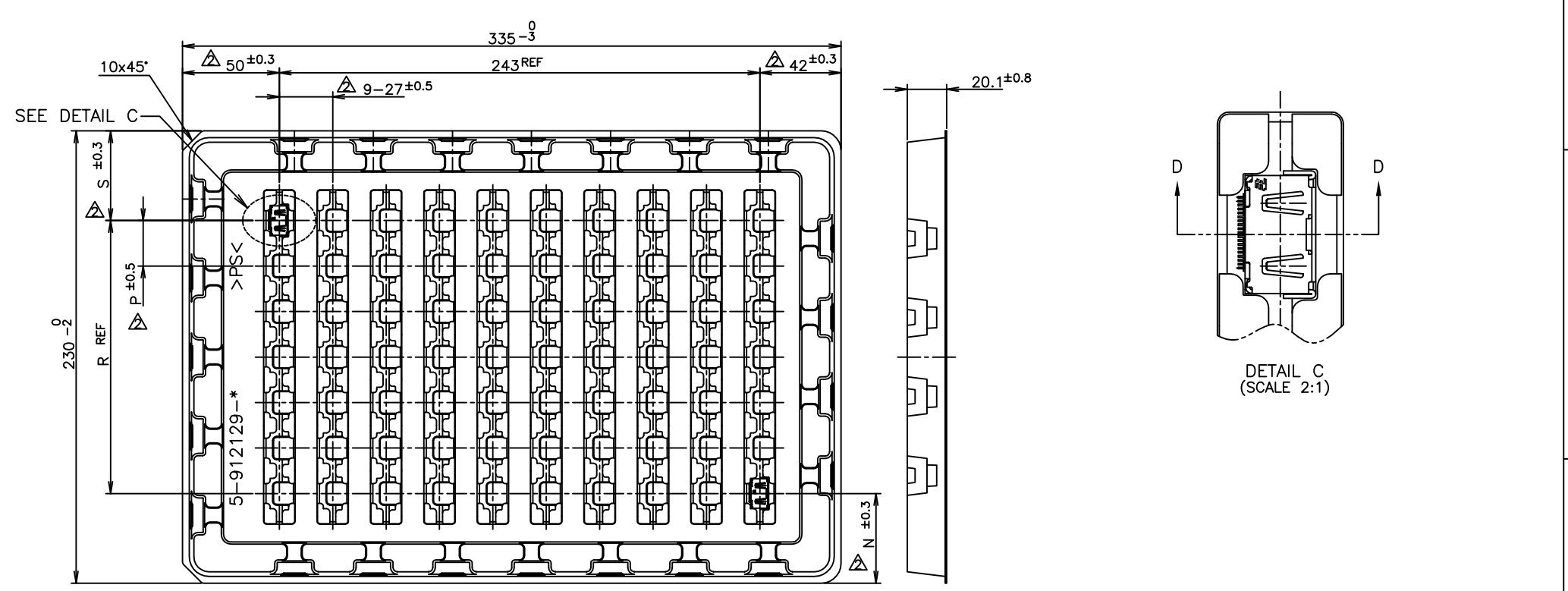
D-D (SCALE 2:1)

THIS DRAWING IS A CONTROLLED DOCUMENT.

DIMENSIONS: 單位: 話 mm	TOLERANCES UNLESS OTHERWISE SPECIFIED: 一般公差	DWN	CHK	APVD	NAME 名稱	PS MATERIAL	TRAY DESCRIPTION
0 PLC ±	1 PLC ±	PRODUCT SPEC 製品規格	TE Connectivity				
2 PLC ±	3 PLC ±	APPLICATION SPEC 取付適用規格	HDMI 19 POS RECEPTACLE ASSY SMT SHORT TYPE				
4 PLC ±	ANGLES ±	FINISH 仕上	SIZE	CAGE CODE	DRAWING NO 番号	RESTRICTED TO	
MATERIAL 材料		WEIGHT	A3	00779	G=1903015		
CUSTOMER DRAWING			SCALE 尺度	SHEET	REV	7 OF 12 R	

1903015-4; AS SHOWN

LOC		DIST		REVISIONS				
				変更		DATE	DWN	APVD
P	LTR	DESCRIPTION						
-	-	SEE SHEET 1		-	-	-	-	-

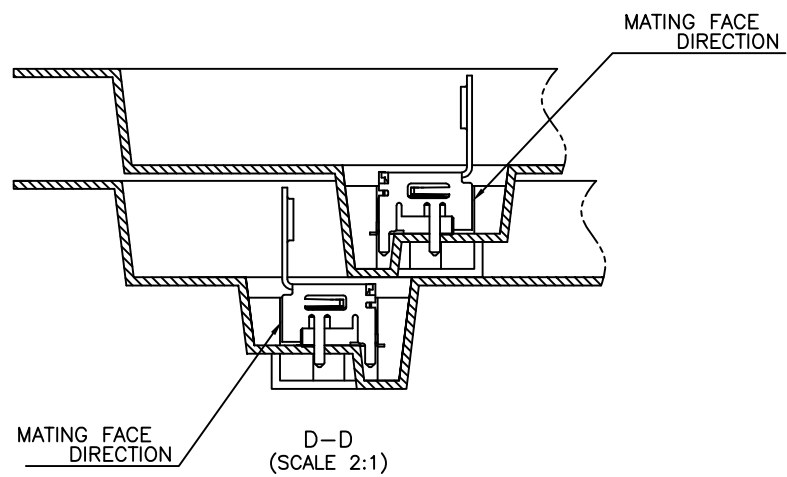
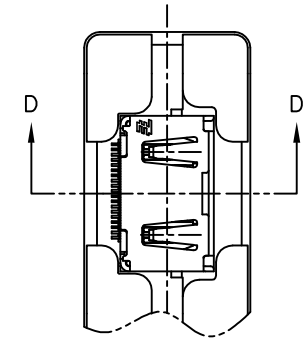
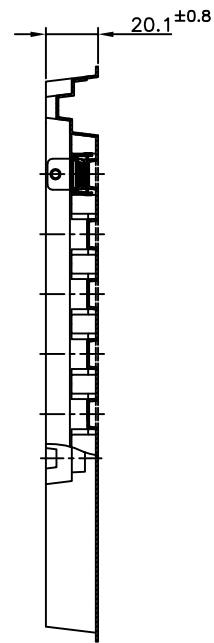
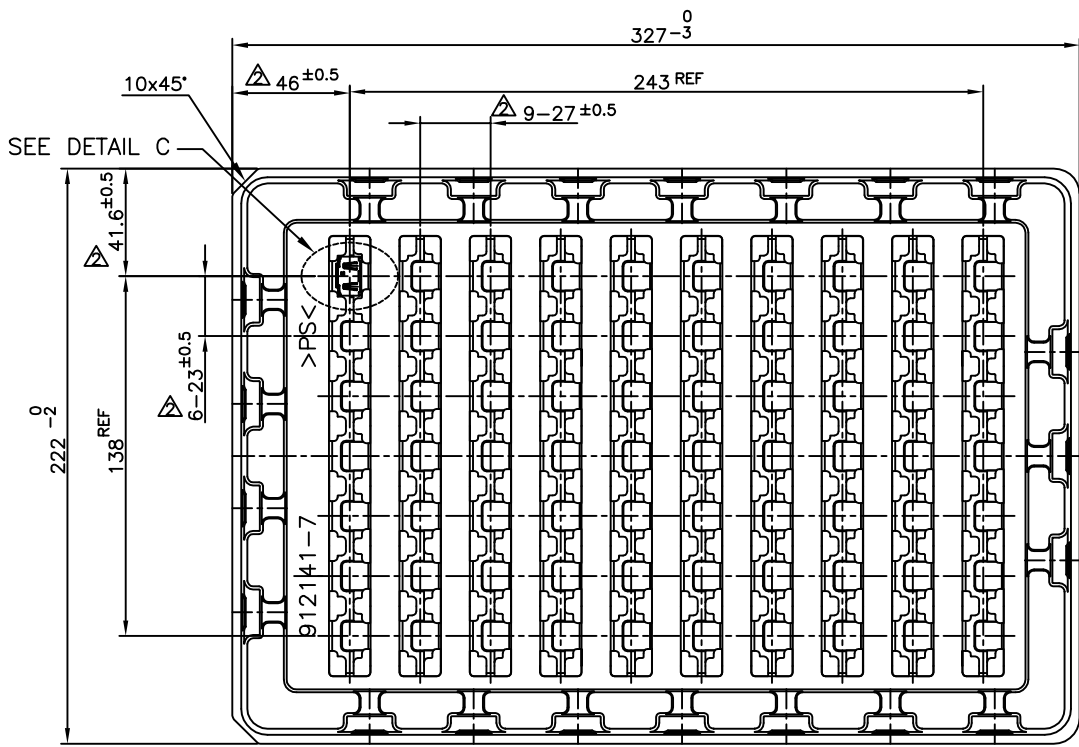


THIS DRAWING IS A CONTROLLED DOCUMENT.		DWN		TE Connectivity	
DIMENSIONS: 單位: 毫米 mm		TOLERANCES UNLESS OTHERWISE SPECIFIED: 一般公差		NAME 名稱	
<ul style="list-style-type: none"> <li>0 PLC ±</li> <li>1 PLC ±</li> <li>2 PLC ±</li> <li>3 PLC ±</li> <li>4 PLC ±</li> <li>ANGLES ±</li> </ul>		<ul style="list-style-type: none"> <li>CHK</li> <li>APVD</li> <li>PRODUCT SPEC 製品規格</li> <li>APPLICATION SPEC 取付適用規格</li> <li>WEIGHT</li> </ul>		HDMI 19 POS RECEPTACLE ASSY SMT SHORT TYPE	
MATERIAL 材料		FINISH 仕上		SIZE CAGE CODE DRAWING NO 番号	
				A3 00779 C=1903015	
		CUSTOMER DRAWING		RESTRICTED TO	
		SCALE 尺度 4:1		SHEET 8 of 12	
				REV R	



1903015-7, 1903015-8; AS SHOWN

LOC	DIST	REVISIONS			DATE	DWN	APVD
		P	LTR	DESCRIPTION			
		-	-	SEE SHEET 1	-	-	-



THIS DRAWING IS A CONTROLLED DOCUMENT.		DWN		TE Connectivity	
DIMENSIONS: 單位: 毫米 mm		CHK			
TOLERANCES UNLESS OTHERWISE SPECIFIED: 一般公差		APVD		NAME 名稱	
0 PLC ± 1 PLC ± 2 PLC ± 3 PLC ± 4 PLC ± ANGLES ±		PRODUCT SPEC 製品規格		HDMI 19 POS RECEPTACLE ASSY SMT SHORT TYPE	
MATERIAL 材料		FINISH 仕上		APPLICATION SPEC 取付適用規格	
		WEIGHT		SIZE CAGE CODE DRAWING NO 番号	
		CUSTOMER DRAWING		A3 00779 C=1903015	
		SCALE 尺度 4:1		RESTRICTED TO 番号	
		SHEET 9 of 12		REV R	

THIS DRAWING IS UNPUBLISHED.

RELEASED FOR PUBLICATION

SEP, 2005.

ALL RIGHTS RESERVED.

© COPYRIGHT 2005 By -

LOC	DIST
-	-

REVISIONS

変更

DESCRIPTION

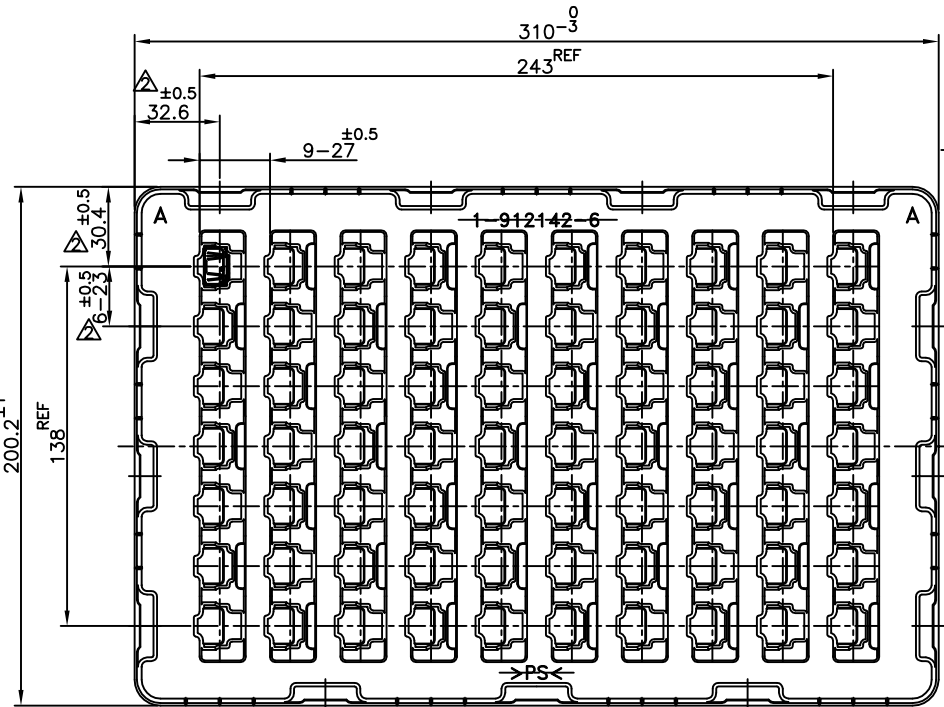
DATE

DWN

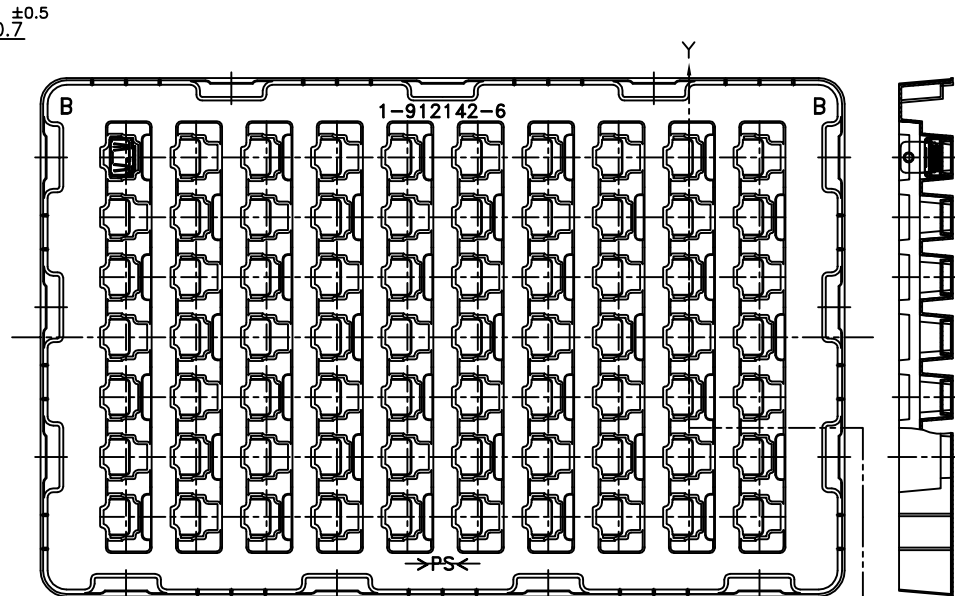
APVD

SEE SHEET 1

8-1903015-4; AS SHOWN

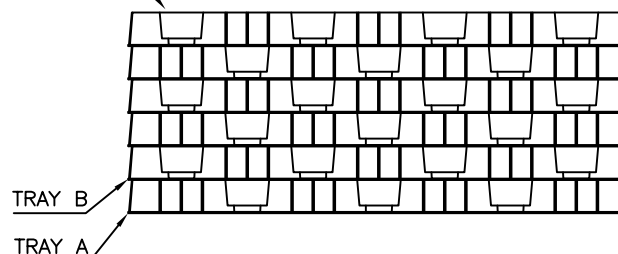


TRAY A

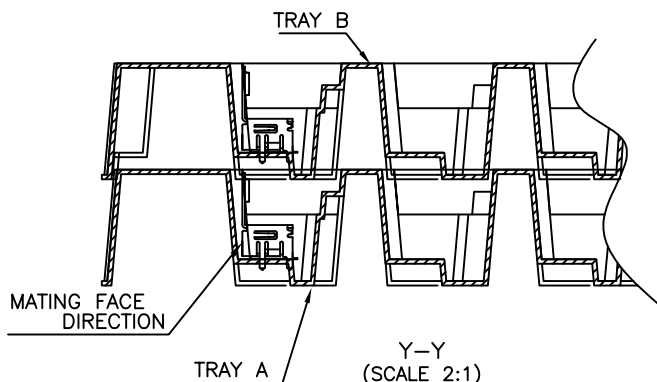


TRAY B

TRAY B (EMPTY)



TRAY B  
TRAY A



Y-Y  
(SCALE 2:1)

PS	TRAY
MATERIAL	DESCRIPTION

THIS DRAWING IS A CONTROLLED DOCUMENT.

DIMENSIONS: 單位: 話 mm	TOLERANCES UNLESS OTHERWISE SPECIFIED: 一般公差	DWN	TE Connectivity												
<table border="1"> <tr><td>0 PLC</td><td>±</td></tr> <tr><td>1 PLC</td><td>±</td></tr> <tr><td>2 PLC</td><td>±</td></tr> <tr><td>3 PLC</td><td>±</td></tr> <tr><td>4 PLC</td><td>±</td></tr> <tr><td>4 PLC ANGLES</td><td>±</td></tr> </table>	0 PLC	±		1 PLC	±	2 PLC	±	3 PLC	±	4 PLC	±	4 PLC ANGLES	±	FINISH 仕上	CHK
0 PLC	±														
1 PLC	±														
2 PLC	±														
3 PLC	±														
4 PLC	±														
4 PLC ANGLES	±														
MATERIAL 材料		APVD	HDMI 19 POS RECEPTACLE ASSY SMT SHORT TYPE												
		PRODUCT SPEC 製品規格	SIZE CAGE CODE DRAWING NO A3 00779 C=1903015												
		APPLICATION SPEC 取付適用規格	RESTRICTED TO 番号												
		WEIGHT	SCALE 尺度 4:1												
		CUSTOMER DRAWING	SHEET 10 OF 12												
			REV R												

4

3

2

1

THIS DRAWING IS UNPUBLISHED.

RELEASED FOR PUBLICATION

SEP ,2005.

© COPYRIGHT 2005 By -

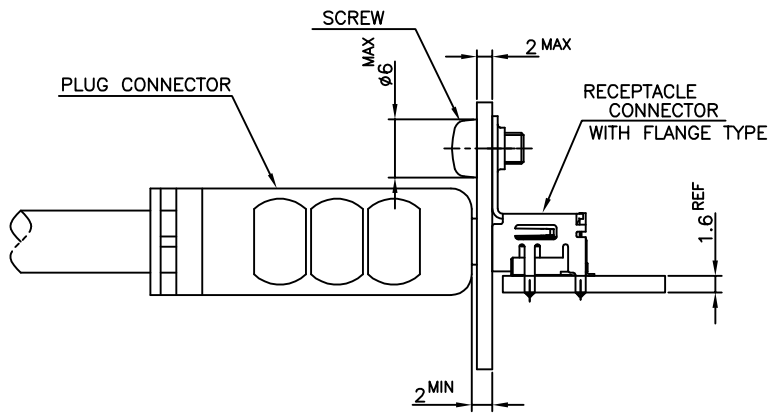
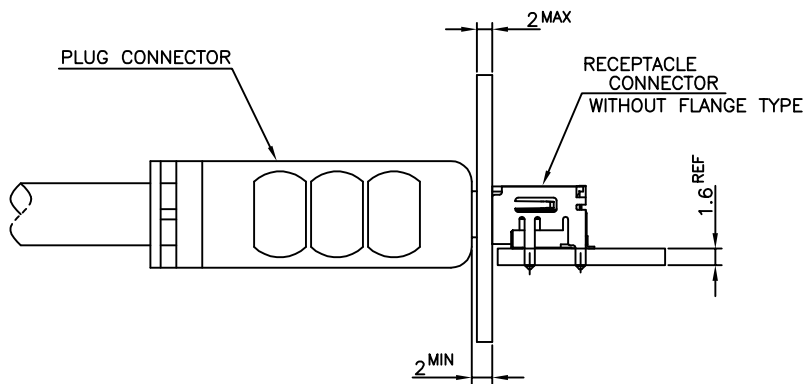
ALL RIGHTS RESERVED.

LOC DIST

REVISIONS

変更

P	LTR	DESCRIPTION	DATE	DWN	APVD
-	-	SEE SHEET 1	-	-	-



MATING CONDITION (REFERENCE)  
(SCALE 2:1)

THIS DRAWING IS A CONTROLLED DOCUMENT.		DWN		<b>TE</b> TE Connectivity	
DIMENSIONS: 單位: 話 mm		CHK			
TOLERANCES UNLESS OTHERWISE SPECIFIED: 一般公差		APVD		NAME 名稱	
0 PLC ±		PRODUCT SPEC 製品規格		HDMI 19 POS RECEPTACLE ASSY SMT SHORT TYPE	
1 PLC ±		APPLICATION SPEC 取付適用規格		SIZE CAGE CODE DRAWING NO 番号	
2 PLC ±		WEIGHT		A3 00779 C=1903015	
3 PLC ±		CUSTOMER DRAWING		RESTRICTED TO	
4 PLC ±		SCALE 尺度 4:1		SHEET 11 OF 12	
ANGLES ±		FINISH 仕上		REV R	
MATERIAL 材料					

THIS DRAWING IS PUBLISHED.

NOT BASED FOR PUBLICATION

SEP., 2005.

ALL RIGHTS RESERVED.

© COPYRIGHT 2005. By -

LOC

DIST

REV

P

LTR

DESCRIPTION

DATE

DWN

APVD

SEE SHEET 1

P/N:6-1903015-3

D

D

C

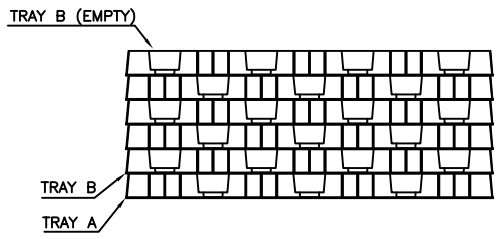
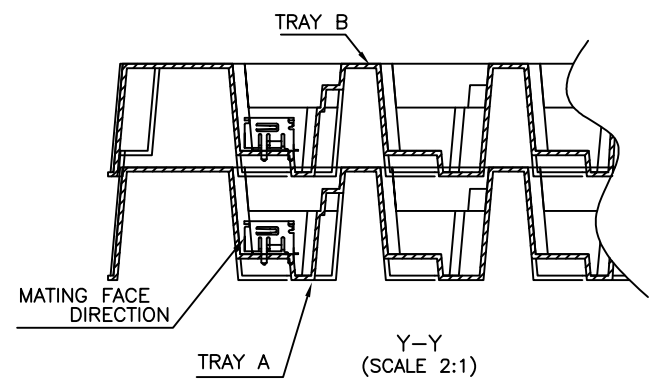
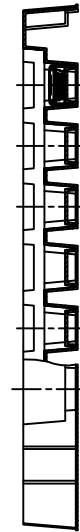
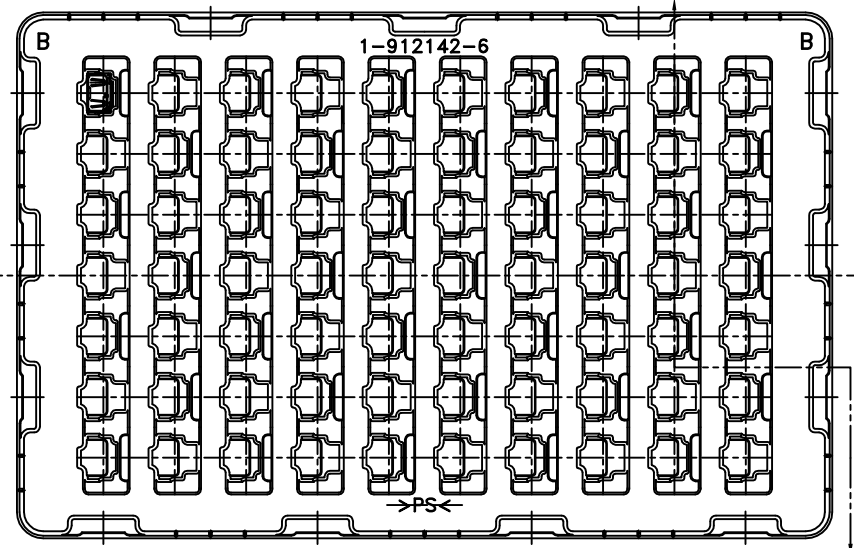
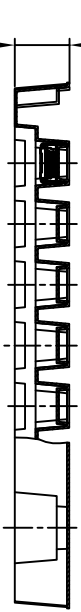
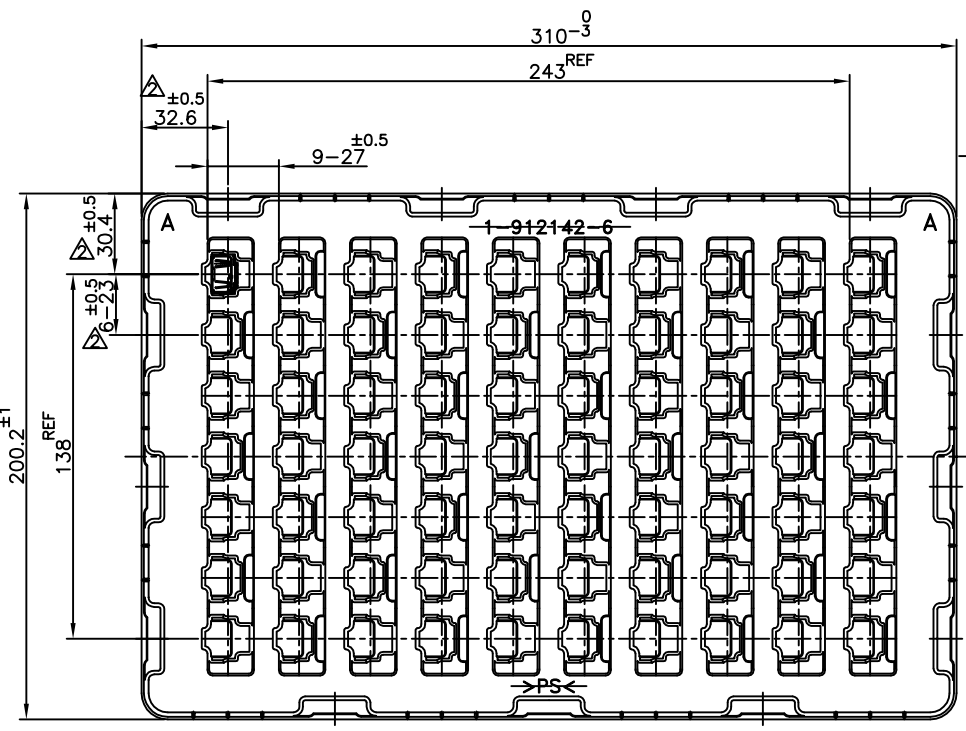
C

B

B

A

A



THIS DRAWING IS A CONTROLLED DOCUMENT.

DIMENSIONS: 單位: 毫米 mm	TOLERANCES UNLESS OTHERWISE SPECIFIED: 一般公差
0 PLC	±
1 PLC	±
2 PLC	±
3 PLC	±
4 PLC	±
ANGLES	±

MATERIAL  
材料

FINISH  
仕上

DWN
CHK
APVD
PRODUCT SPEC 製品規格
APPLICATION SPEC 取付適用規格
WEIGHT

NAME 名稱		TE Connectivity	
HDMI 19 POS RECEPTACLE ASSY SMT SHORT TYPE		SIZE	RESTRICTED TO
A3	CAGE CODE 00779	DRAWING NO C=1903015	—

PS	TRAY
MATERIAL	DESCRIPTION

CUSTOMER DRAWING

SCALE 尺度	SHEET	REV
4:1	12 OF 12	R

## Данный компонент на территории Российской Федерации

### Вы можете приобрести в компании MosChip.

Для оперативного оформления запроса Вам необходимо перейти по данной ссылке:

<http://moschip.ru/get-element>

Вы можете разместить у нас заказ для любого Вашего проекта, будь то серийное производство или разработка единичного прибора.

В нашем ассортименте представлены ведущие мировые производители активных и пассивных электронных компонентов.

Нашей специализацией является поставка электронной компонентной базы двойного назначения, продукции таких производителей как XILINX, Intel (ex.ALTERA), Vicor, Microchip, Texas Instruments, Analog Devices, Mini-Circuits, Amphenol, Glenair.

Сотрудничество с глобальными дистрибьюторами электронных компонентов, предоставляет возможность заказывать и получать с международных складов практически любой перечень компонентов в оптимальные для Вас сроки.

На всех этапах разработки и производства наши партнеры могут получить квалифицированную поддержку опытных инженеров.

Система менеджмента качества компании отвечает требованиям в соответствии с ГОСТ Р ИСО 9001, ГОСТ РВ 0015-002 и ЭС РД 009

### Офис по работе с юридическими лицами:

105318, г.Москва, ул.Щербаковская д.3, офис 1107, 1118, ДЦ «Щербаковский»

Телефон: +7 495 668-12-70 (многоканальный)

Факс: +7 495 668-12-70 (доб.304)

E-mail: [info@moschip.ru](mailto:info@moschip.ru)

Skype отдела продаж:

moschip.ru

moschip.ru\_4

moschip.ru\_6

moschip.ru\_9