

## Features

- Cascadable
- Low Insertion Loss
- Low DC Power Consumption
- Low Distortion Operation (Quiet Mode)
- Useful as a Building Block for
  - Digital Attenuators
  - Digital Delay Lines
  - Digital Phase Shifters
  - Digital Switched Filter Elements

## Description

M/A-COM's MASW2040 is a GaAs MMIC DPDT switch die. The MASW2040 is ideally suited for use where low power consumption is required.

Typical applications include transmit/receive switching, switch matrices, and switched filter banks in systems such as radio and cellular equipment, PCM, GPS, fiber optic modules, and other battery powered radio equipment.

## Ordering Information

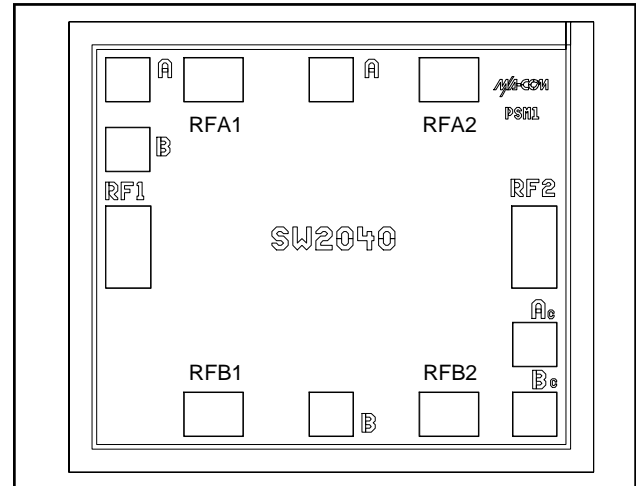
Part Number	Package
MASW2040	DIE

## Absolute Maximum Rating <sup>1,2</sup>

Parameter	Absolute Maximum
Control Value (A or B)	-8.5 Vdc
Max Input RF Power	+34 dBm
Storage Temperature	-65°C to +175°C
Max Operating Temperature	+175°C

1. Exceeding any one or combination of these limits may cause permanent damage to this device.
2. M/A-COM does not recommend sustained operation near these survivability limits.

## Pad Layout



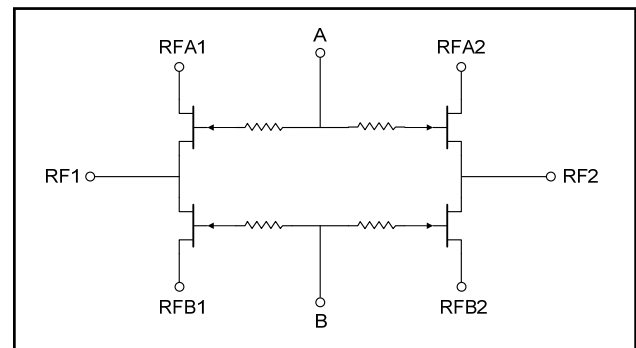
## Die Size—Inches (mm)

0.043 x 0.037 x 0.010 (1.10 x 0.94 x 0.25)

## Bond Pad Dimensions

Bond Pad	Dimensions - Inches (mm)
RF1, RF2	0.004 x 0.007 (0.102 x 0.182)
RFA1, RFB1	0.005 x 0.004 (0.133 x 0.100)
RFA2, RFB2	0.005 x 0.004 (0.133 x 0.100)
A, B, Ac, Bc	0.004 x 0.004 (0.100 x 0.100)

## Schematic



## Electrical Specifications: 0 / -5 Vdc, -55°C to +85°C

Parameter	Test Conditions	Units	Min.	Typ.	Max.
Insertion Loss	DC - 0.5 GHz	dB	—	—	0.4
	DC - 1.0 GHz	dB	—	—	0.4
	DC - 2.0 GHz	dB	—	—	0.6
Isolation	DC - 0.5 GHz	dB	25	—	—
	DC - 1.0 GHz	dB	20	—	—
	DC - 2.0 GHz	dB	15	—	—
VSWR	DC - 0.5 GHz	Ratio	—	—	1.1:1
	DC - 1.0 GHz	Ratio	—	—	1.2:1
	DC - 2.0 GHz	Ratio	—	—	1.2:1
Input P-1dB	0.05 GHz (0 / -5 V, 0 / -8V)	dBm	—	+24, +25	—
	0.5 - 2.0 GHz (0 / -5 V, 0 / -8V)	dBm	—	+30, +33	—
IP2	Two Tone Input Power up to +5 dBm 0.05 GHz	dBm	—	+62	—
	0.5 - 2.0 GHz	dBm	—	+68	—
IP3	Two Tone Input Power up to +5 dBm 0.05 GHz	dBm	—	+39	—
	0.5 - 2.0 GHz	dBm	—	+46	—
Control Current	V <sub>IN</sub> Low (0 to -0.2 V)	μA	—	—	9
	V <sub>IN</sub> High (-5 V @ 25 μA Typ to -8 V)	μA	—	—	75
T-rise, T-fall	10% to 90% RF and 90% to 10% RF	ns	—	3	—
T <sub>ON</sub> , T <sub>OFF</sub>	50% control to 90% RF, and 50% control to 90% RF	ns	—	6	—
Transients	In Band	mV	—	20	—

## Truth Table <sup>3</sup>

Control		Condition of Switch			
A	B	RF1-RFA1	RF1-RFB1	RF2-RFA2	RF2-RFB2
1	0	Off	On	Off	On
0	1	On	Off	On	Off

3. 0 = 0 to -0.2 V, 1 = -5 V.

## Handling Procedures

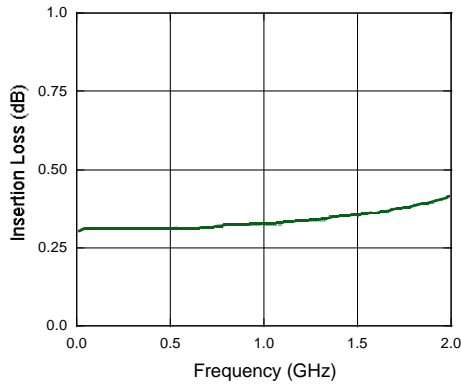
Please observe the following precautions to avoid damage:

## Static Sensitivity

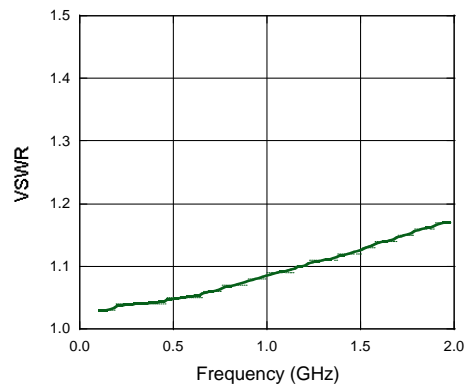
Gallium Arsenide Integrated Circuits are sensitive to electrostatic discharge (ESD) and can be damaged by static electricity. Proper ESD control techniques should be used when handling these devices.

## Typical Performance @ 25°C

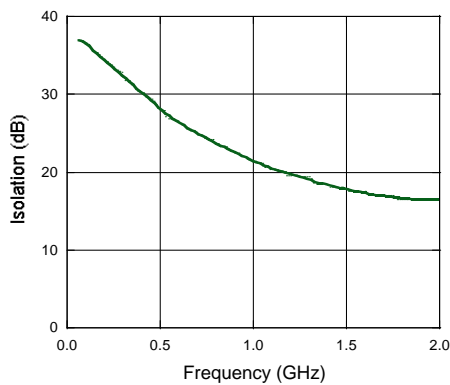
**Insertion Loss vs. Frequency**



**VSWR vs. Frequency**



**Isolation vs. Frequency**



## Handling Precautions

Permanent damage to the MASW2040 may occur if the following precautions are not adhered to:

- A. Cleanliness - The MASW2040 should be handled in a clean environment. DO NOT attempt to clean unit after the MASW2040 is installed.
- B. Static Sensitivity - All chip handling equipment and personnel should be DC grounded.
- C. Transient - Avoid instrument and power supply transients while bias is applied to the MASW2040. Use shielded signal and bias cables to minimize inductive pick-up.
- D. Bias - Apply Voltage to either control port A or B only when the other is grounded. Neither port should be allowed to "float."
- E. General Handling - It is recommended that the MASW2040 chip be handled along the long side of the die with a sharp pair of bent tweezers. DO NOT touch the surface of the chip with fingers or tweezers.

## Mounting

The MASW2040 is back-metallized with Pd/Ni/Au (100/1,000/10,000Å) metallization. It can be die-mounted with AuSn eutectic performs or with thermally conductive epoxy. The package surface should be clean and flat before attachment.

### Eutectic Die Attach:

- A. A 80/20 gold/tin preform is recommended with a work surface temperature of approximately 255°C and a tool temperature of 265°C. When not 90/10 nitrogen/hydrogen gas is applied, tool tip temperature should be approximately 290°C.
- B. DO NOT expose the MASW2040 to a temperature greater than 320°C for more than 20 seconds. No more than 3 seconds for scrubbing should be required for attachment.

### Epoxy Die Attach:

- A. Apply a minimum amount of epoxy and place the MASW2040 into position. A thin epoxy fillet should be visible around the perimeter of the chip.
- B. Cure epoxy per manufacturer's recommended schedule.
- C. Electrically conductive epoxy may be used by is not required.

## Wire Bonding

- A. Ball or wedge with 1.0 mil diameter pure gold wire. Thermosonic wirebonding with a nominal stage temperature of 150°C and a ball bonding force of 40 to 50 grams or wedge bonding force of 18 to 22 grams is recommended. Ultrasonic energy and time should be adjusted to the minimum levels achieve reliable wirebonds.
- B. Wirebonds should be started on the chip and terminated on the package. GND bonds should be as short as possible; at least three and no more than four bond wires from ground pads to package are recommended.

## Данный компонент на территории Российской Федерации

### Вы можете приобрести в компании MosChip.

Для оперативного оформления запроса Вам необходимо перейти по данной ссылке:

<http://moschip.ru/get-element>

Вы можете разместить у нас заказ для любого Вашего проекта, будь то серийное производство или разработка единичного прибора.

В нашем ассортименте представлены ведущие мировые производители активных и пассивных электронных компонентов.

Нашей специализацией является поставка электронной компонентной базы двойного назначения, продукции таких производителей как XILINX, Intel (ex.ALTERA), Vicor, Microchip, Texas Instruments, Analog Devices, Mini-Circuits, Amphenol, Glenair.

Сотрудничество с глобальными дистрибьюторами электронных компонентов, предоставляет возможность заказывать и получать с международных складов практически любой перечень компонентов в оптимальные для Вас сроки.

На всех этапах разработки и производства наши партнеры могут получить квалифицированную поддержку опытных инженеров.

Система менеджмента качества компании отвечает требованиям в соответствии с ГОСТ Р ИСО 9001, ГОСТ РВ 0015-002 и ЭС РД 009

### Офис по работе с юридическими лицами:

105318, г.Москва, ул.Щербаковская д.3, офис 1107, 1118, ДЦ «Щербаковский»

Телефон: +7 495 668-12-70 (многоканальный)

Факс: +7 495 668-12-70 (доб.304)

E-mail: [info@moschip.ru](mailto:info@moschip.ru)

Skype отдела продаж:

moschip.ru

moschip.ru\_4

moschip.ru\_6

moschip.ru\_9