

LEAD FREE CATALOGUE NUMBER

7712P0225A25LF

7312P0225A13LF



NOTES:

DESCRIPTION

Connector especially designed for SMT technology
EMV compatible and in accordance with ISO 7816-2

MECHANICAL

Contacts force : between 0.2N-0.5N
Durability : 100000 cycles
Insertion force : 10 N max
Extraction force : 1 N min

ELECTRICAL

Insulation resistance : 1000MOhms
Dielectric withstand voltage between card contacts and detection switch : 1000 Vrms
contact resistance:100 miliohms
Current carrying : min 10 micro A max 1A

SWITCH

Contact closed : contact resistance 100mOhms
Open contact : voltage proof 300Vms

MATERIAL

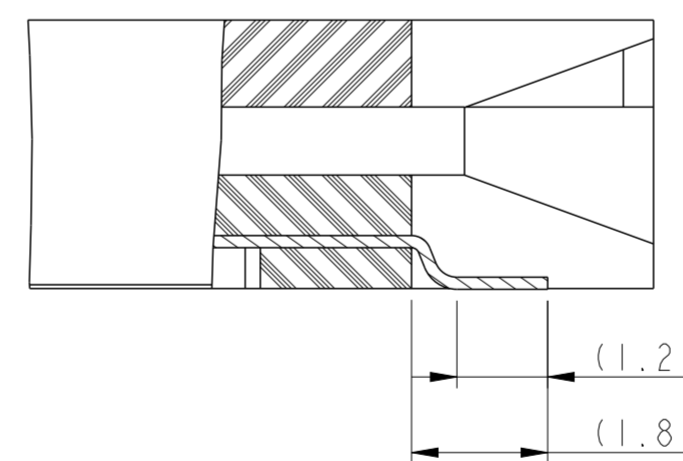
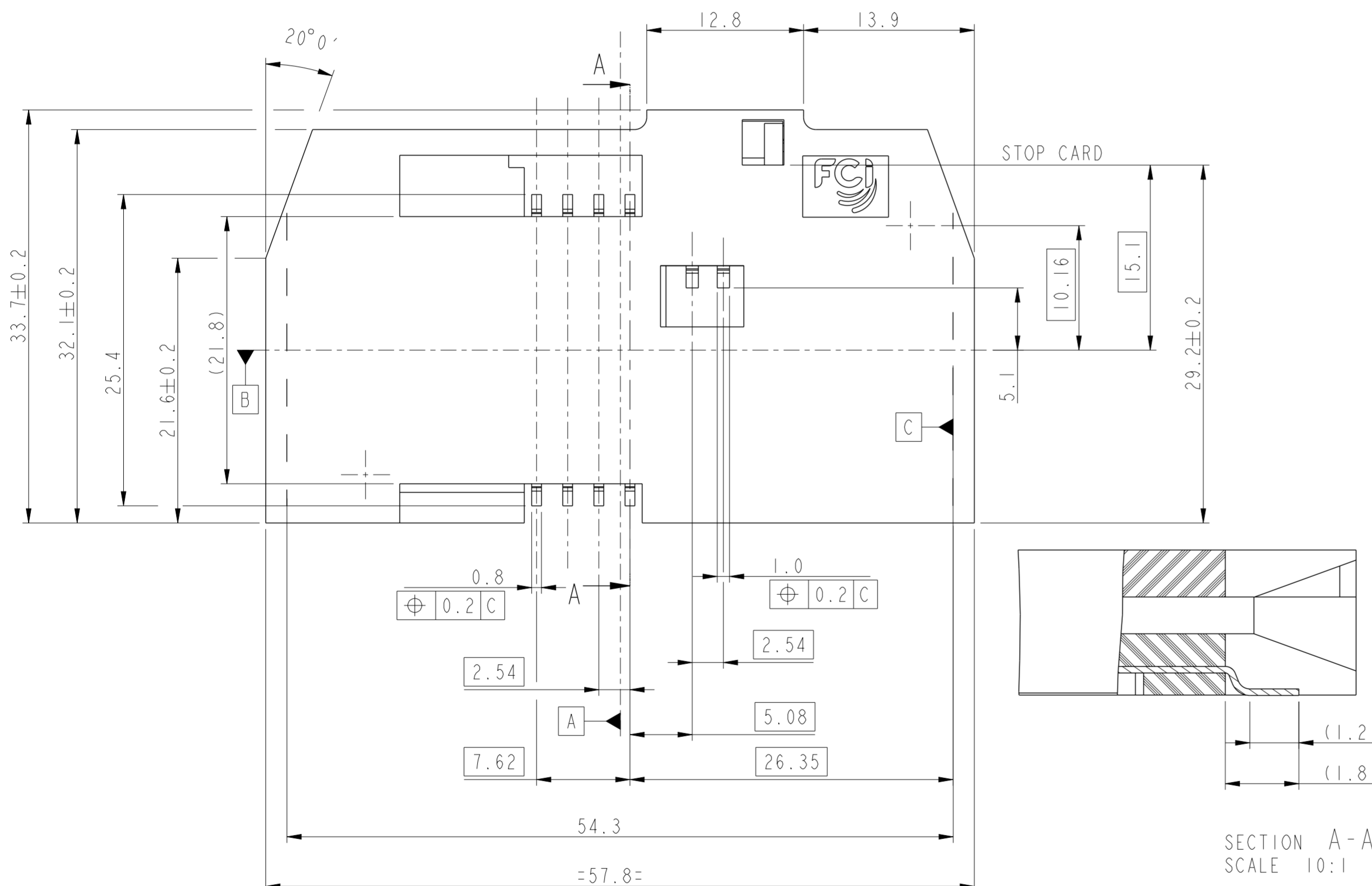
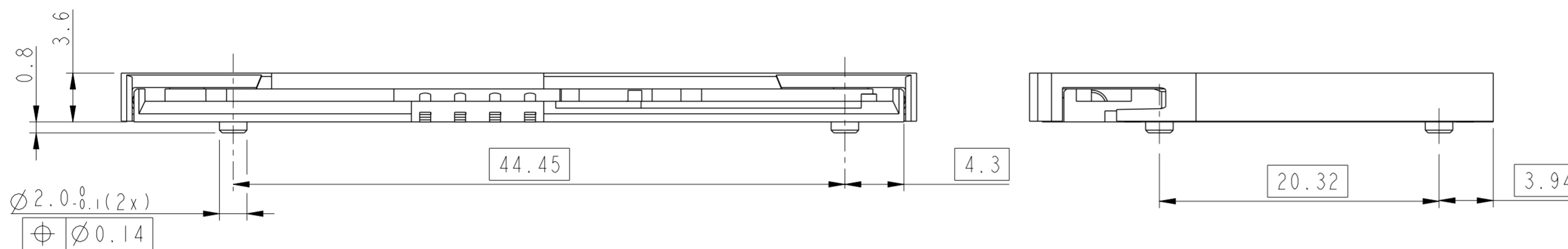
Contacts : copper alloy
Cover :
Color for LF part : Natural
Plating : Gold / Equivalent PdNi over Nickel on contact area
Solder tails : Sn bare edge allowed
Housing : self extinguishing, Thermoplastic
UL94-V0 rated

ENVIRONMENT

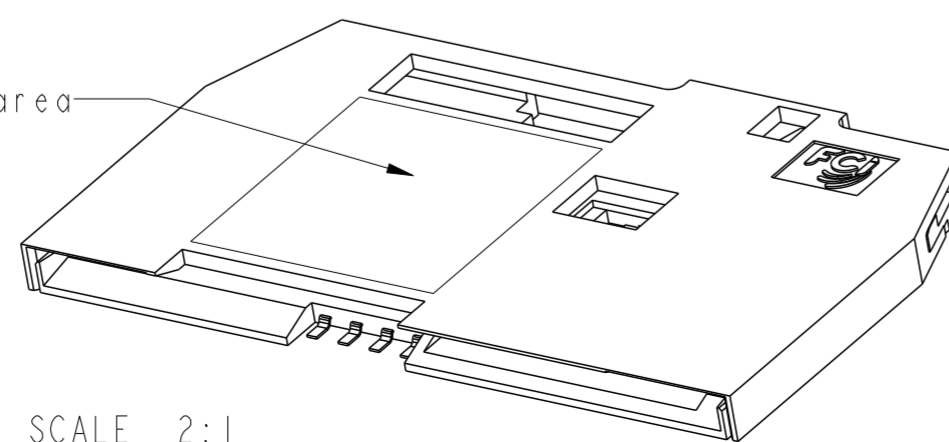
Storage temperature : -40°C, +85°C
Operating temperature : -20°C, +70°C
Packaging : Tray
Compatible reflow soldering process

NOTE: RoHS INFORMATIONS

-The "LF" products meet European Union Directives and other country regulations as described in GS-47-0004 .
- The housing will withstand exposure to 260°C peak temperature for 30 seconds in a convection, infra-red or vapor reflow oven. See Application notes/procedures, if they are available.
- Packaging spec: see GS-14-920



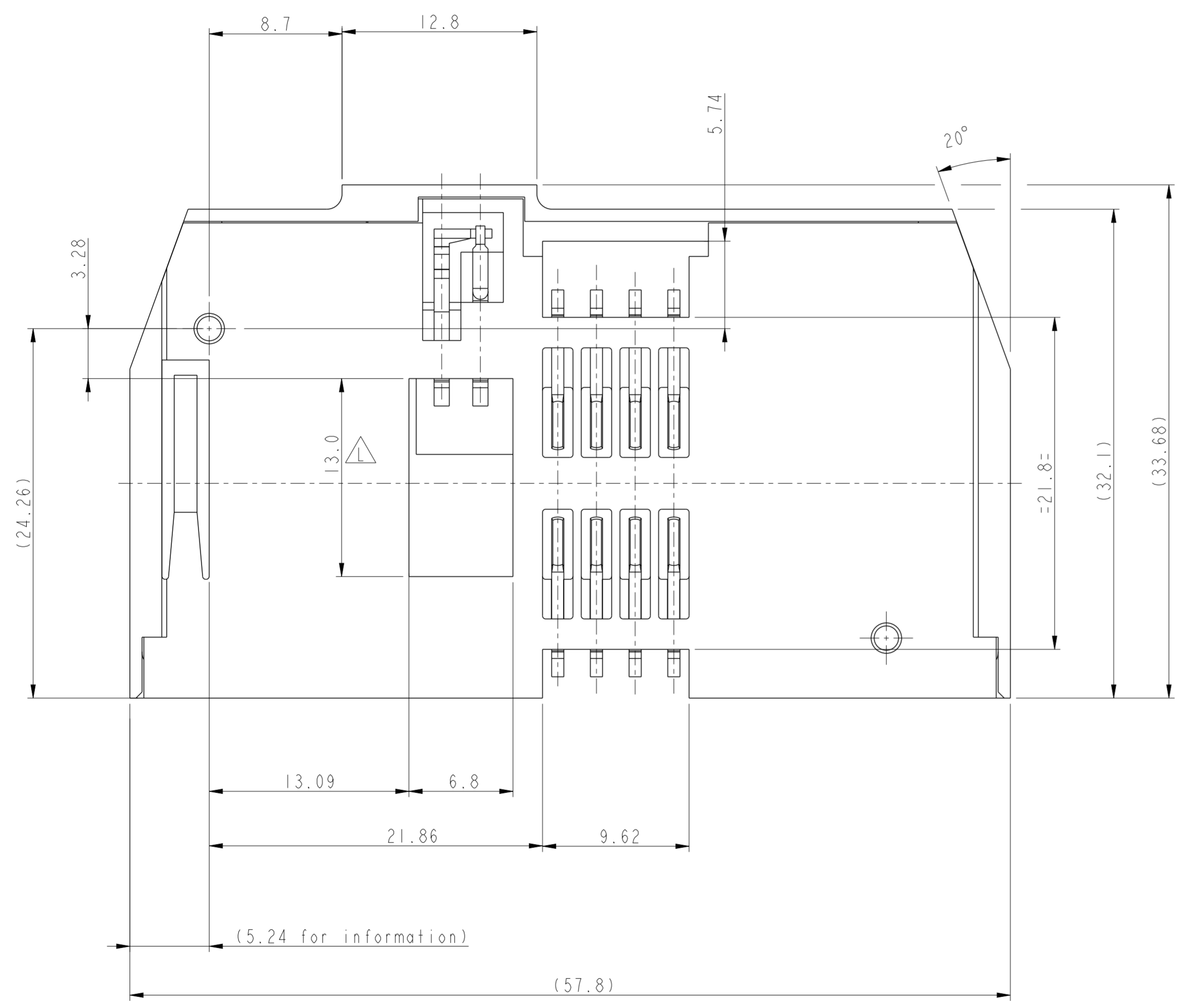
Pick and place area



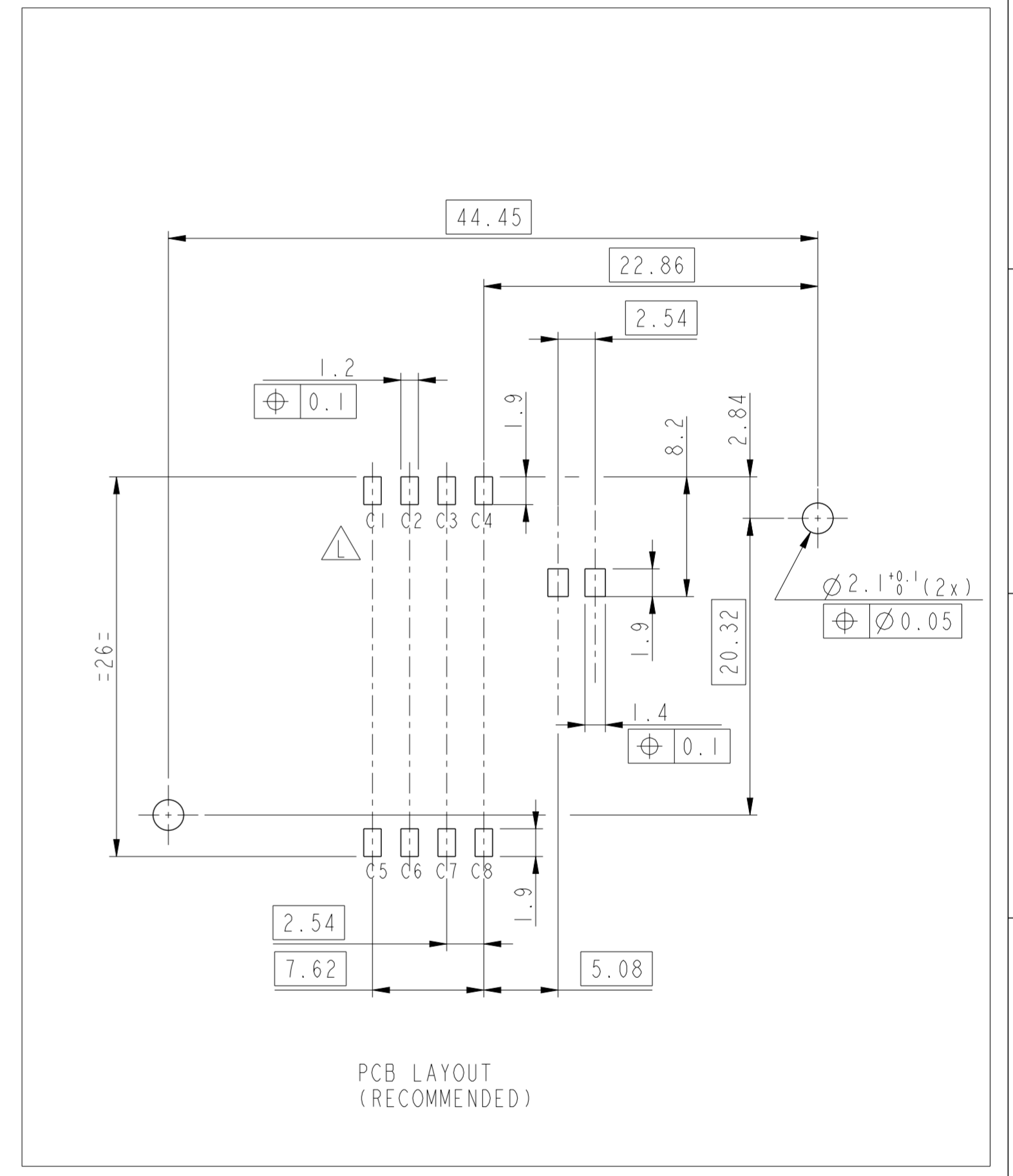
SCALE 2:1

| | | | | | | | | | | | | | | | | |
|---------------|--|--------|---------------|------------|----------------|------------|----------|-------------|-----------|----------|---------|----|-----|--|---|--|
| spec ref | SEE NOTES | dr | P-Mathew Nebu | 2014/0927 | projection | mm | size | A2 | scale | 3:1 | | | | | | |
| tolerance std | TOLERANCES UNLESS OTHERWISE SPECIFIED | eng | P-Mathew Nebu | 2014/10/08 | | mm | ecn no | ELX-18989-1 | rel level | Released | | | | | | |
| ISO 406 | | chr | - | | | | | | | | | | | | | |
| ISO 1101 | | appr | K-Paul Biju | 2014/10/08 | product family | MOBILE I/O | cat. no. | VJW53666 | rev | L | | | | | | |
| surface | <table border="1"> <tr> <td>linear</td> <td>0.X</td> <td>±0.3</td> </tr> <tr> <td></td> <td>0.XX</td> <td>±0.1</td> </tr> <tr> <td></td> <td>0.XXX</td> <td>±0.05</td> </tr> <tr> <td>angular</td> <td>0°</td> <td>±2°</td> </tr> </table> | linear | 0.X | ±0.3 | | 0.XX | ±0.1 | | 0.XXX | ±0.05 | angular | 0° | ±2° | | FCJ TITLE CHIP CARD CONNECTOR TYPE : P02 (8 cts with cover) | Product - Customer Drw sheet 1 of 3 |
| linear | 0.X | ±0.3 | | | | | | | | | | | | | | |
| | 0.XX | ±0.1 | | | | | | | | | | | | | | |
| | 0.XXX | ±0.05 | | | | | | | | | | | | | | |
| angular | 0° | ±2° | | | | | | | | | | | | | | |

LEAD FREE CATALOGUE NUMBER
 7712P0225A25LF
 7312P0225A13LF



LAYOUT FOR KEEP OUT ZONE
 (CONNECTOR SIDE)



PCB LAYOUT
 (RECOMMENDED)



Copyright FCI.

| | | | | | | | | | | | | | | | | | |
|---------------|--|-------------|---------------|------------|------------------------|--------------|--------|-------------|-----------|----------|----------------|------------|-----|--|---|--|--|
| spec ref | SEE NOTES | dr | P-Mathew Nebu | 2014/09/27 | projection | mm | size | A2 | scale | 4:1 | | | | | | | |
| tolerance std | TOLERANCES UNLESS OTHERWISE SPECIFIED | eng | P-Mathew Nebu | 2014/10/08 | | mm | ecn no | ELX-18989-1 | rel level | Released | | | | | | | |
| ISO 406 | | chr | - | | | | | | | | | | | | | | |
| ISO 1101 | | appr | K-Paul Biju | 2014/10/08 | | | | | | | product family | MOBILE I/O | | | | | |
| surface | <table border="1"> <tr> <td>linear</td> <td>0.X</td> <td>±0.3</td> </tr> <tr> <td></td> <td>0.XX</td> <td>±0.1</td> </tr> <tr> <td></td> <td>0.XXX</td> <td>±0.05</td> </tr> <tr> <td>angular</td> <td>0°</td> <td>±2°</td> </tr> </table> | linear | 0.X | ±0.3 | | 0.XX | ±0.1 | | 0.XXX | ±0.05 | angular | 0° | ±2° | | title CHIP CARD CONNECTOR TYPE : P02 (8 cts with cover) | | dwg no VJW53666 rev L |
| linear | 0.X | ±0.3 | | | | | | | | | | | | | | | |
| | 0.XX | ±0.1 | | | | | | | | | | | | | | | |
| | 0.XXX | ±0.05 | | | | | | | | | | | | | | | |
| angular | 0° | ±2° | | | | | | | | | | | | | | | |
| ISO 1302 | | www.fci.com | cat. no. | SEE TABLE | Product - Customer Drw | sheet 2 of 3 | | | | | | | | | | | |

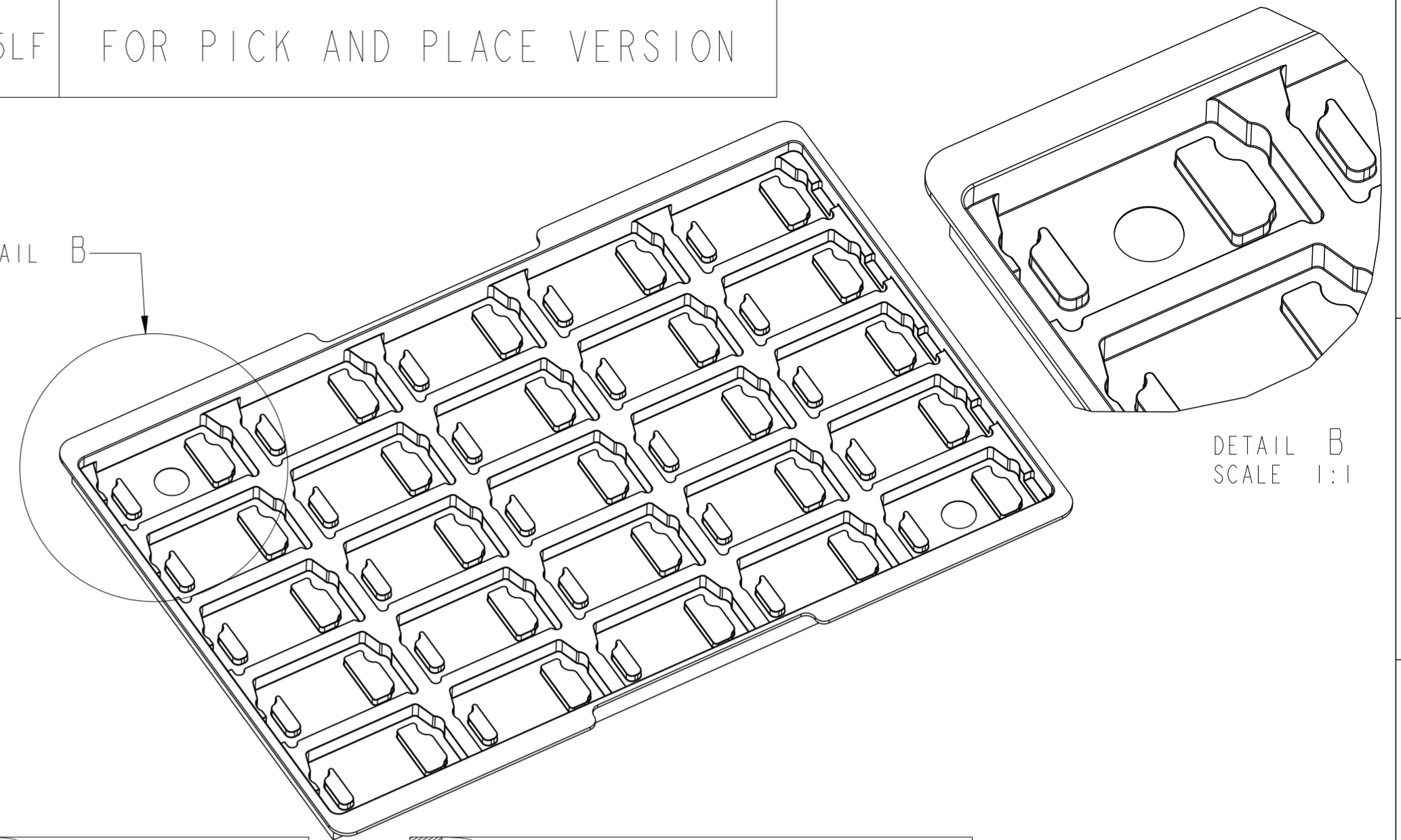
PDS: Rev :L

STATUS:Released

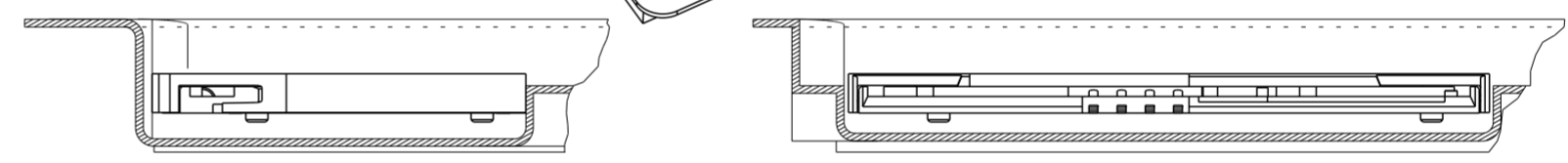
Printed: Oct 08, 2014

7712P0225A25LF FOR PICK AND PLACE VERSION

SEE DETAIL B

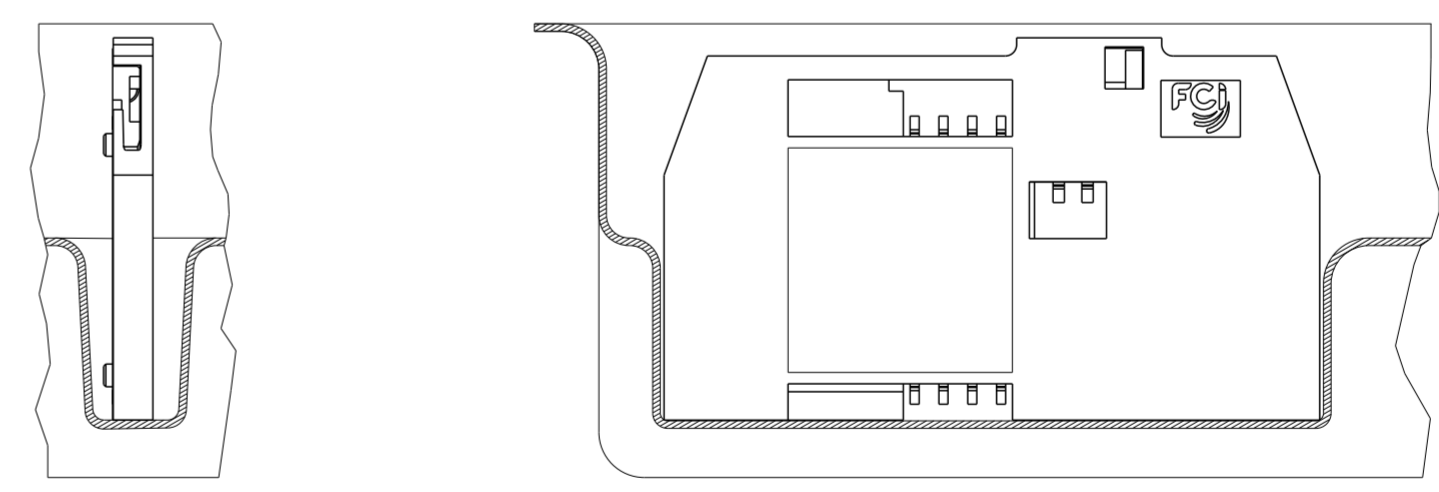


DETAIL B
SCALE 1:1



HORIZONTAL PLACEMENT

7312P0225A13LF STANDARD VERSION



VERTICAL PLACEMENT

PACKAGING

| P / N | Quantity by Tray | Trays Material Detail |
|----------------|----------------------------|-----------------------|
| 7712P0225A25LF | 25 Horizontal Placement | Antistatic |
| 7312P0225A13LF | 100 Vertical Placement | No Antistatic |

| | | | | | | | | | | | | | | | | | | |
|---------------|--|-------------|---------------|------------|----------------|------------|--------------------|-------------|-----------|----------|---------|----|-----|--|---|-----------------------|------------------------|--------------|
| spec ref | SEE NOTES | dr | P-Mathew Nebu | 2014/09/27 | projection | mm | size | A2 | scale | 3:2 | | | | | | | | |
| tolerance std | TOLERANCES UNLESS OTHERWISE SPECIFIED | eng | P-Mathew Nebu | 2014/10/08 | | mm | ecn no | ELX-18989-1 | rel level | Released | | | | | | | | |
| ISO 406 | | chr | - | | | | | | | | | | | | | | | |
| ISO 1101 | | appr | K-Paul Biju | 2014/10/08 | product family | MOBILE I/O | rel level | Released | | | | | | | | | | |
| surface | <table border="1"> <tr> <td>linear</td> <td>0.X</td> <td>±0.3</td> </tr> <tr> <td></td> <td>0.XX</td> <td>±0.1</td> </tr> <tr> <td></td> <td>0.XXX</td> <td>±0.05</td> </tr> <tr> <td>angular</td> <td>0°</td> <td>±2°</td> </tr> </table> | linear | 0.X | ±0.3 | | 0.XX | ±0.1 | | 0.XXX | ±0.05 | angular | 0° | ±2° | | FCI title CHIP CARD CONNECTOR TYPE : P02 (8 cts with cover) | cat. no. SEE TABLE | Product - Customer Drw | sheet 3 of 3 |
| linear | 0.X | ±0.3 | | | | | | | | | | | | | | | | |
| | 0.XX | ±0.1 | | | | | | | | | | | | | | | | |
| | 0.XXX | ±0.05 | | | | | | | | | | | | | | | | |
| angular | 0° | ±2° | | | | | | | | | | | | | | | | |
| ISO 1302 | | www.fci.com | | | | | dng no VJW53666 | rev L | | | | | | | | | | |

Copyright FCI. FCI

Данный компонент на территории Российской Федерации

Вы можете приобрести в компании MosChip.

Для оперативного оформления запроса Вам необходимо перейти по данной ссылке:

<http://moschip.ru/get-element>

Вы можете разместить у нас заказ для любого Вашего проекта, будь то серийное производство или разработка единичного прибора.

В нашем ассортименте представлены ведущие мировые производители активных и пассивных электронных компонентов.

Нашей специализацией является поставка электронной компонентной базы двойного назначения, продукции таких производителей как XILINX, Intel (ex.ALTERA), Vicor, Microchip, Texas Instruments, Analog Devices, Mini-Circuits, Amphenol, Glenair.

Сотрудничество с глобальными дистрибьюторами электронных компонентов, предоставляет возможность заказывать и получать с международных складов практически любой перечень компонентов в оптимальные для Вас сроки.

На всех этапах разработки и производства наши партнеры могут получить квалифицированную поддержку опытных инженеров.

Система менеджмента качества компании отвечает требованиям в соответствии с ГОСТ Р ИСО 9001, ГОСТ РВ 0015-002 и ЭС РД 009

Офис по работе с юридическими лицами:

105318, г.Москва, ул.Щербаковская д.3, офис 1107, 1118, ДЦ «Щербаковский»

Телефон: +7 495 668-12-70 (многоканальный)

Факс: +7 495 668-12-70 (доб.304)

E-mail: info@moschip.ru

Skype отдела продаж:

moschip.ru

moschip.ru_4

moschip.ru_6

moschip.ru_9