

General Description

The XR81101-AA02 is a clock synthesizer operating at a 3.3V/2.5V supply with Integer divider, using a 25MHz parallel resonant crystal reference input provides a 125MHz LVCMOS output. The device is optimized for use with a 25MHz crystal (or system clock) and generates a 125MHz output clock for GE applications. The LVCMOS output has very low phase noise jitter of sub 150fs, while consuming extremely low power.

The application diagram below shows a typical synthesizer configuration with any standard crystal oscillating in fundamental mode. Internal load capacitors are optionally available to minimize/eliminate external crystal loads. A system clock can also be used to overdrive the oscillator for a synchronous timing system.

The typical phase noise plot below shows the jitter integrated over the 1.875MHz to 20MHz range that is widely used in WAN systems. These clock devices show a very good high frequency noise floor below -150dB.

The XR81101 is a family of Universal Clock synthesizer devices in TSSOP-8 packages. The devices generate ANY frequency in the range of 10MHz to 200MHz by utilizing a highly flexible delta sigma modulator and a wide ranging VCO. These devices can be used with standard crystals or external system clock to support a wide variety of applications. This family of products has an extremely low power PLL block with core power consumption 40% less than the equivalent devices from competition. By second sourcing several of the existing sockets, these devices provides a very compelling power efficiency value benefit across all market segments.

Other clock multiplier and/or driver configurations are possible in this clock family and can be requested from the factory

FEATURES

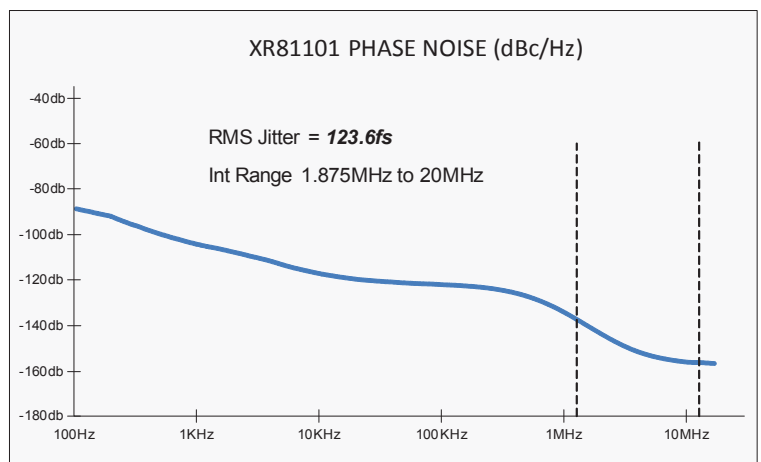
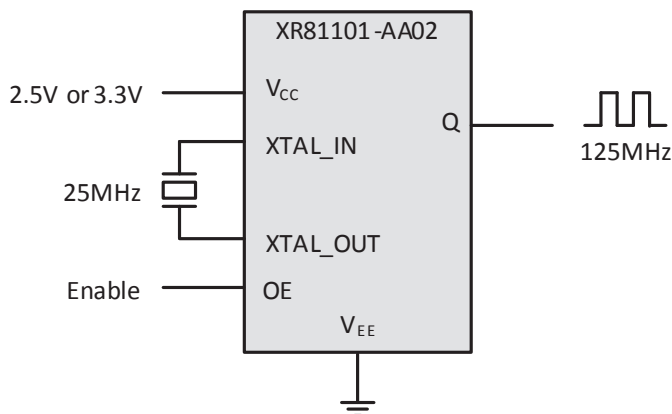
- XR81101-AA02: Factory configured
- One LVCMOS output
- Crystal oscillator interface which can also be overdriven using a single-ended reference clock
- Output frequency: 125MHz
- Crystal/input frequency: 25MHz, parallel resonant crystal
- RMS phase jitter @ 125MHz, 1.875MHz - 20MHz: < 150fs
- Full 3.3V or 2.5V operating supply
- -40°C to 85°C ambient operating temperature
- Lead-free (RoHS 6) package

APPLICATIONS

- Gigabit Ethernet
- Low-jitter Clock Generation
- Synchronized clock systems

Ordering Information – page 8

Typical Application



Absolute Maximum Ratings

Stresses beyond those listed under Absolute Maximum Ratings may cause permanent damage to the device. Exposure to any Maximum Rating condition for extended periods may affect device reliability and lifetime.

| | |
|---|---------------------|
| Supply Voltage..... | +4.2V |
| Input Voltage..... | -0.5V to VCC + 0.5V |
| Output Voltage..... | -0.5V to VCC + 0.5V |
| Reference Frequency/Input Crystal..... | 10MHz to 60MHz |
| Storage Temperature..... | -55°C to +125°C |
| Lead Temperature (Soldering, 10 sec)..... | 300°C |
| ESD Rating (HBM - Human Body Model)..... | 2kV |

Operating Conditions

| | |
|----------------------------------|----------------|
| Operating Temperature Range..... | -40°C to +85°C |
|----------------------------------|----------------|

Electrical Characteristics

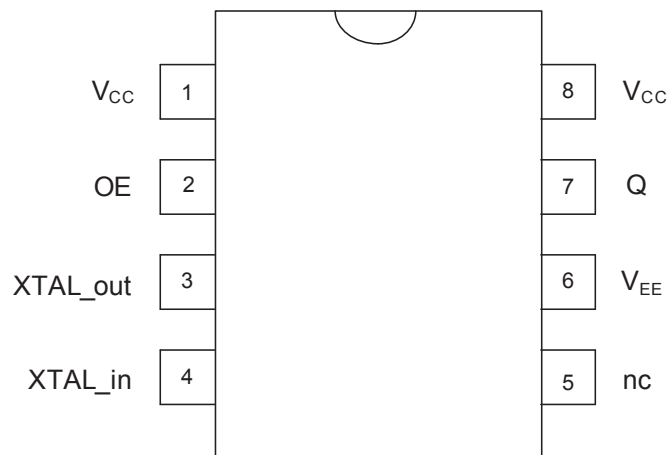
Unless otherwise noted: $T_A = -40^{\circ}\text{C}$ to $+85^{\circ}\text{C}$, $V_{CC} = 3.3\text{V}\pm 5\%$ or $2.5\text{V}\pm 5\%$, $V_{EE} = 0\text{V}$

| Symbol | Parameter | Conditions | * | Min | Typ | Max | Units |
|--------------------------------------|----------------------|----------------------------------|---|-------|-----|-------|-------|
| 3.3V Power Supply DC Characteristics | | | | | | | |
| V_{CC} | Power Supply Voltage | | • | 3.135 | 3.3 | 3.465 | V |
| I_{EE} | Power Supply Current | 125MHz with output unloaded. | | | 24 | | mA |
| 2.5V Power Supply DC Characteristics | | | | | | | |
| V_{CC} | Power Supply Voltage | | • | 2.375 | 2.5 | 2.625 | V |
| I_{EE} | Power Supply Current | 125MHz with the output unloaded. | | | 21 | | mA |
| LVCMOS/LVTTL DC Characteristics | | | | | | | |

| Symbol | Parameter | Conditions | * | Min | Typ | Max | Units |
|--------------------------------|------------------------------------|--|---|---------------------|------|---------------------|---------------|
| V_{IH} | Input High Voltage | $V_{CC} = 3.465\text{V}$ | • | 2.42 | | $V_{CC} + 0.3$ | V |
| | | $V_{CC} = 2.625\text{V}$ | • | 1.83 | | $V_{CC} + 0.3$ | V |
| V_{IL} | Input Low Voltage | $V_{CC} = 3.465\text{V}$ | • | -0.3 | | 1.03 | V |
| | | $V_{CC} = 2.625\text{V}$ | • | -0.3 | | 0.785 | V |
| I_{IH} | Input High Current (OE, FSEL[1:0]) | $V_{IN} = V_{CC} = 3.465\text{V}$ or 2.625V | • | | | 15 | μA |
| I_{IL} | Input Low Current (OE, FSEL[1:0]) | $V_{IN} = 0\text{V}$, $V_{CC} = 3.465\text{V}$ or 2.625V | • | -10 | | | μA |
| LVCMOS DC Characteristics | | | | | | | |
| V_{OH} | Output High Voltage | Output unloaded | • | $0.8 \times V_{CC}$ | | | V |
| V_{OL} | Output Low Voltage | Output unloaded | • | | | $0.1 \times V_{CC}$ | V |
| Crystal Characteristics | | | | | | | |
| X_{Mode} | Mode of Oscillations | | | Fundamental | | | |
| X_f | Frequency | | | | 25 | | MHz |
| ESR | Equivalent Series Resistance | | | | | 50 | Ω |
| C_S | Shunt Capacitance | | | | | 7 | pF |
| AC Characteristics | | | | | | | |
| f_{OUT} | Output Frequency | | | | 125 | | MHz |
| $t_{\text{jitter}}(\phi)$ | RMS Phase Jitter | 125MHz (Int. Range 1.875MHz-20MHz) | | | 0.15 | | pS |
| $t_{\text{jitter}}(\text{cc})$ | Cycle-to-Cycle Jitter | Using 25MHz, 18pF resonant crystal | • | | | 10 | pS |
| t_R/t_F | Output Rise/Fall Time | 20% to 80% | • | 100 | | 550 | pS |
| Odc | Output Duty Cycle | | • | 48 | | 52 | % |

* Limits applying over the full operating temperature range are denoted by a "•".

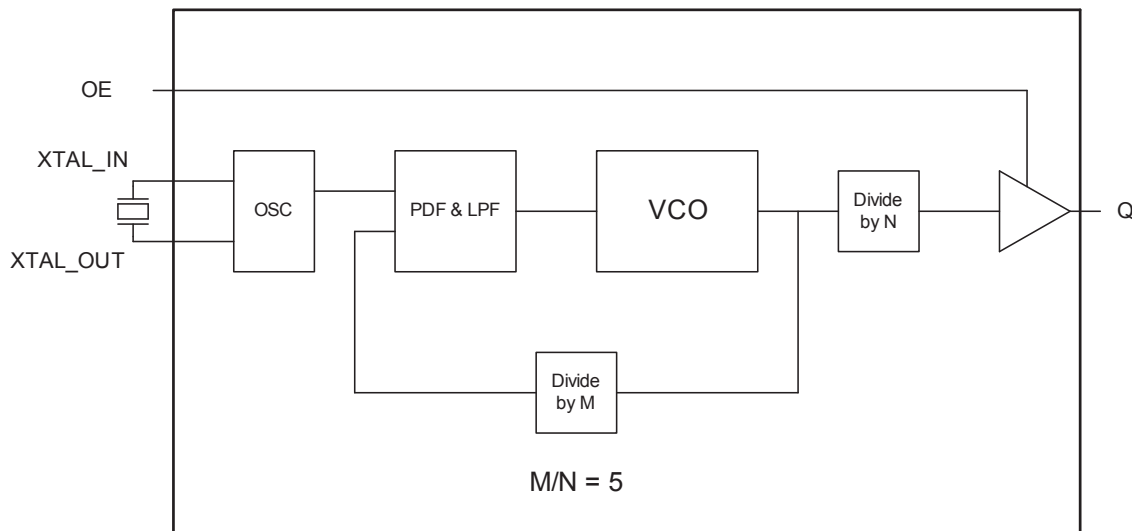
Pin Configuration



Pin Assignments

| Pin No. | Pin Name | Type | Description |
|---------|-----------------|----------------------------------|---|
| 1 | V _{CC} | Supply | Power supply pin. |
| 2 | OE | Input (900K Ω pull-up) | Output enable pin - LVCMOS/LVTTL active high input. Outputs are enabled when OE = high. Outputs are disabled when OE = low. |
| 3 | XTAL_OUT | Output | Crystal oscillator output. |
| 4 | XTAL_IN | Input | Crystal oscillator input. |
| 5 | nc | No Connect | Unused, do not connect. |
| 6 | V _{EE} | Supply | Negative supply pin. |
| 7 | Q | Output | LVCMOS output. |
| 8 | V _{CC} | Supply | Power supply pin. |

Functional Block Diagram



Typical Performance Characteristics

Figure 1 shows a typical phase noise performance plots for a 125MHz clock output. The data was taken using the industry standard Agilent E5052B phase noise instrument. The integration range is 1.875MHz to 20MHz.

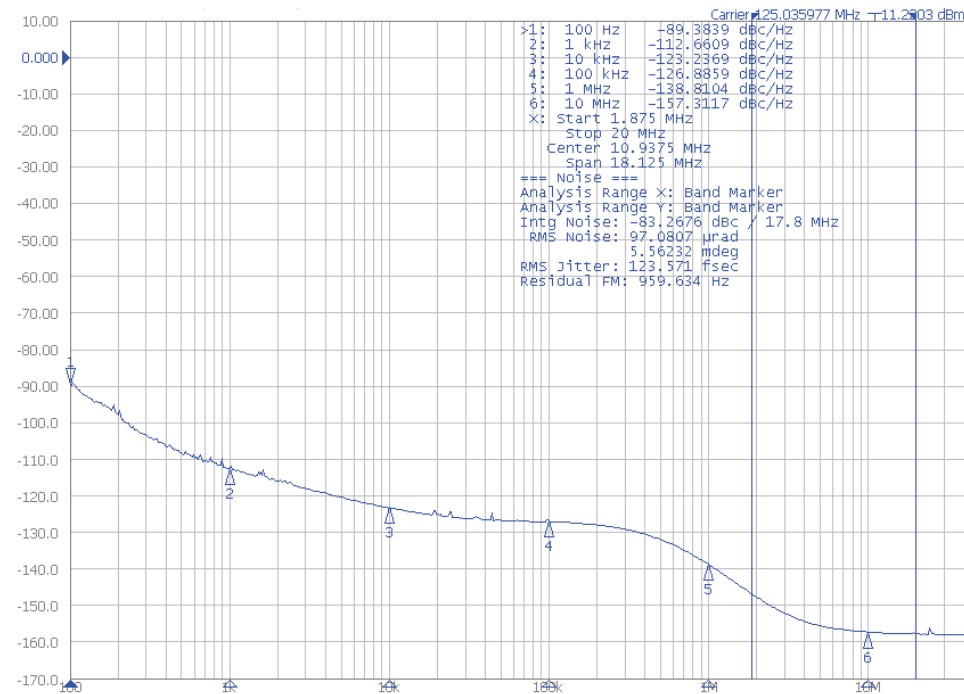


Figure 1: 125MHz Operation, Typical Phase Noise at 3.3V

Application Information

Termination for LVCMOS Outputs

The termination schemes shown in Figure 2 and Figure 3 are typical for LVCMOS outputs. A split supply approach can be used utilizing the scope's internal 50Ω impedance, as shown in Figure 4.

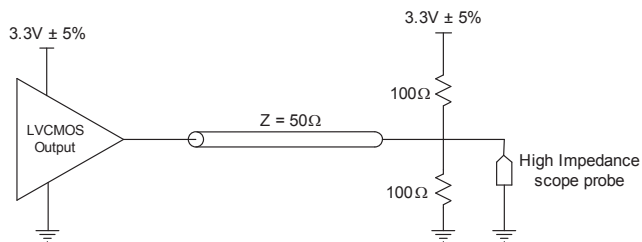


Figure 2: XR81101 3.3V LVCMOS Output Termination

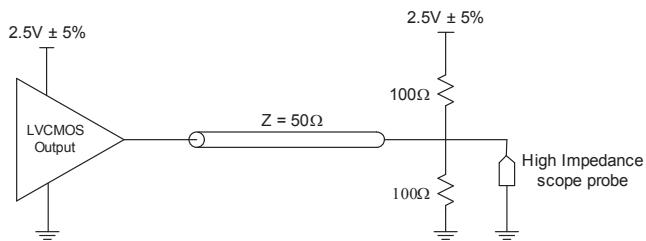


Figure 3: XR81101 2.5V LVCMOS Output Termination

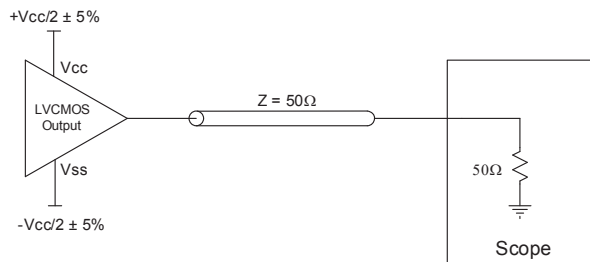


Figure 4: XR81101 Split Supply LVCMOS Output Termination

Output Signal Timing Definitions

The following diagrams clarify the common definitions of the AC timing measurements.

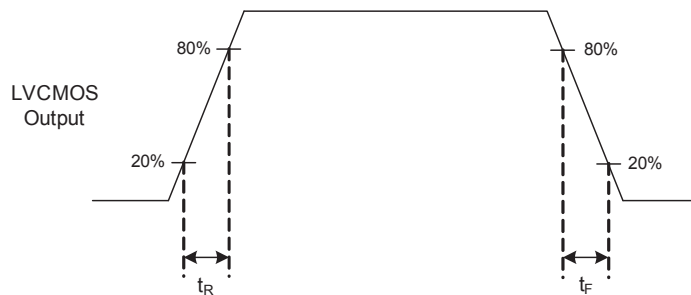
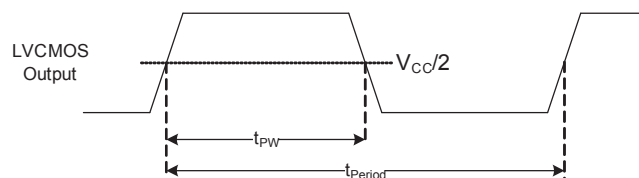


Figure 5: Cycle-to-Cycle Jitter

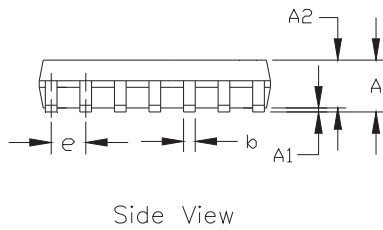
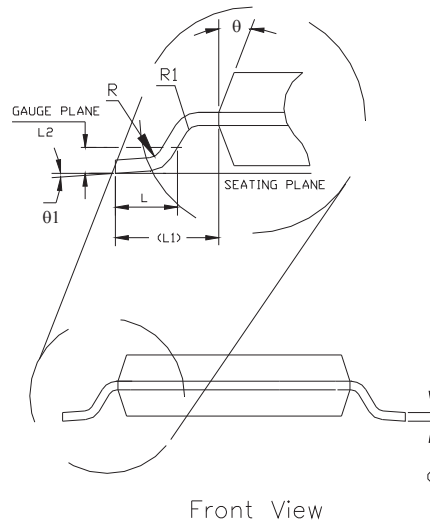
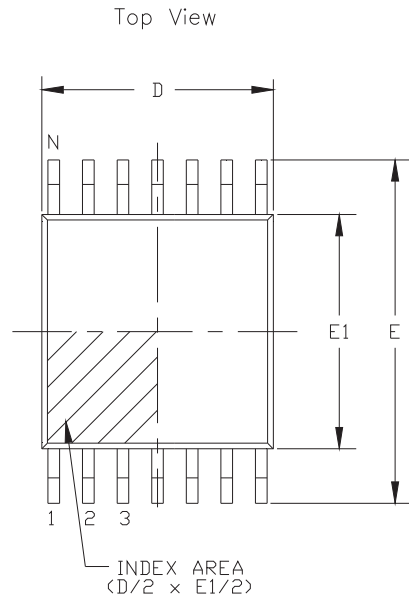


$$\text{Odc} = \frac{t_{PW}}{t_{Period}} \times 100\%$$

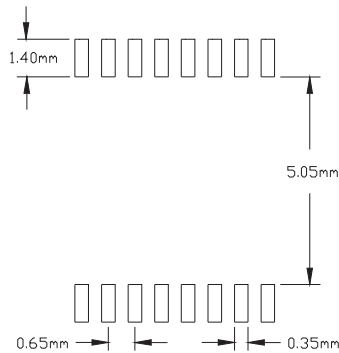
Figure 6: Output Rise/Fall Time

Mechanical Dimensions

8-Pin TSSOP



RECOMMENDED PCB LAND PATTERN



| 8-Pin TSSOP JEDEC MO-153 Variation AA | | | | | | |
|---------------------------------------|------------------------------------|------|------|--|-------|-------|
| SYMBOLS | DIMENSIONS IN MM (Control Unit) | | | DIMENSIONS IN INCH (Reference Unit) | | |
| | MIN | NOM | MAX | MIN | NOM | MAX |
| A | — | — | 1.10 | — | — | 0.043 |
| A1 | 0.05 | — | 0.15 | 0.002 | — | 0.006 |
| A2 | 0.85 | 0.90 | 0.95 | 0.033 | 0.035 | 0.037 |
| b | 0.19 | — | 0.30 | 0.007 | — | 0.012 |
| c | 0.09 | — | 0.20 | 0.004 | — | 0.008 |
| E | 6.40 BSC | | | 0.252 BSC | | |
| E1 | 4.30 | 4.40 | 4.50 | 0.169 | 0.173 | 0.177 |
| e | 0.65 BSC | | | 0.026 BSC | | |
| L | 0.50 | 0.60 | 0.75 | 0.020 | 0.024 | 0.030 |
| L1 | 1.00 REF | | | 0.039 REF | | |
| L2 | 0.25 BSC | | | 0.010 BSC | | |
| R | 0.09 | — | — | 0.035 | — | — |
| R1 | 0.09 | — | — | 0.035 | — | — |
| θ | 12° REF | | | 12° REF | | |
| $\theta1$ | 0° | — | 8° | 0° | — | 8° |
| D | 2.90 | 3.00 | 3.10 | 0.114 | 0.118 | 0.122 |
| N | 8 | | | 8 | | |

Note: The side, top and landing pattern drawings are general to TSSOP packaging but the table is specific to the 8pin TSSOP.

Ordering Information

| Part Number | Package | Green | Operating Temperature Range | Shipping Packaging | Marking |
|------------------|-------------|-------|-----------------------------|--------------------|---------|
| XR81101-AA02-F | 8-pin TSSOP | Yes | -40°C to +85°C | Tube | T01 |
| XR81101-AA02TR-F | 8-pin TSSOP | Yes | -40°C to +85°C | Tape & Reel | T01 |
| XR81101EVB | Eval Board | N/A | N/A | N/A | N/A |

Revision History

| Revision | Date | Description |
|----------|------------|--|
| 1A | April 2014 | Initial release. [ECN1416-07 04/18/2014] |

For Further Assistance:

Email: commtechsupport@exar.com

Exar Technical Documentation: <http://www.exar.com/techdoc/>

Exar Corporation Headquarters and Sales Offices
 48720 Kato Road Tel: +1 (510) 668-7000
 Fremont, CA 95438 - USA Fax: +1 (510) 668-7001



A New Direction in Mixed-Signal

NOTICE

EXAR Corporation reserves the right to make changes to the products contained in this publication in order to improve design, performance or reliability. EXAR Corporation assumes no responsibility for the use of any circuits described herein, conveys no license under any patent or other right, and makes no representation that the circuits are free of patent infringement. Charts and schedules contained herein are only for illustration purposes and may vary depending upon a user's specific application. While the information in this publication has been carefully checked; no responsibility, however, is assumed for inaccuracies.

EXAR Corporation does not recommend the use of any of its products in life support applications where the failure or malfunction of the product can reasonably be expected to cause failure of the life support system or to significantly affect its safety or effectiveness. Products are not authorized for use in such applications unless EXAR Corporation receives, in writing, assurances to its satisfaction that: (a) the risk of injury or damage has been minimized; (b) the user assumes all such risks; (c) potential liability of EXAR Corporation is adequately protected under the circumstances.

Reproduction, in part or whole, without the prior written consent of EXAR Corporation is prohibited.

Данный компонент на территории Российской Федерации

Вы можете приобрести в компании MosChip.

Для оперативного оформления запроса Вам необходимо перейти по данной ссылке:

<http://moschip.ru/get-element>

Вы можете разместить у нас заказ для любого Вашего проекта, будь то серийное производство или разработка единичного прибора.

В нашем ассортименте представлены ведущие мировые производители активных и пассивных электронных компонентов.

Нашей специализацией является поставка электронной компонентной базы двойного назначения, продукции таких производителей как XILINX, Intel (ex.ALTERA), Vicor, Microchip, Texas Instruments, Analog Devices, Mini-Circuits, Amphenol, Glenair.

Сотрудничество с глобальными дистрибьюторами электронных компонентов, предоставляет возможность заказывать и получать с международных складов практически любой перечень компонентов в оптимальные для Вас сроки.

На всех этапах разработки и производства наши партнеры могут получить квалифицированную поддержку опытных инженеров.

Система менеджмента качества компании отвечает требованиям в соответствии с ГОСТ Р ИСО 9001, ГОСТ РВ 0015-002 и ЭС РД 009

Офис по работе с юридическими лицами:

105318, г.Москва, ул.Щербаковская д.3, офис 1107, 1118, ДЦ «Щербаковский»

Телефон: +7 495 668-12-70 (многоканальный)

Факс: +7 495 668-12-70 (доб.304)

E-mail: info@moschip.ru

Skype отдела продаж:

moschip.ru

moschip.ru_4

moschip.ru_6

moschip.ru_9