

# 18000 series

Snap-action momentary pushbutton switches



## DISTINCTIVE FEATURES

Panel and PC mount models  
Snap-in panel mounting version  
Tactile feedback



## ELECTRICAL SPECIFICATIONS

- Max. current/voltage rating with resistive load :
  - gold plated brass contacts : 100 mA - 30 VDC
  - gold plated silver contacts : 1 A 30 VDC
- Initial contact resistance : 50 mΩ max.
- Insulation resistance : 1,000 MΩ min.
- Dielectric strength : 1,000 Vrms 50 Hz min.
- Electrical life : 60,000 cycles at full load



## GENERAL SPECIFICATIONS

- Total travel : 0.5 mm (.019)
- Torque : 1.25 Nm (.922 Ft.lb) max. applied to nut
- Operating temperature : -30 °C to +65 °C (-22 °F to +149 °F)
- Soldering : 300 °C (572 °F), 3 sec. max.



## MATERIALS

- Case : PBT
- Actuator : polyamide, glass filled
- Bushing : brass, nickel plated
- Housing : stainless steel
- Bracket : tin plated steel
- Contacts
  - AD : silver, gold plated
  - CD : brass, gold plated
- Terminal seal : epoxy

APEM products may be recycled at end-of-life for the re-claiming of valuable metal components.

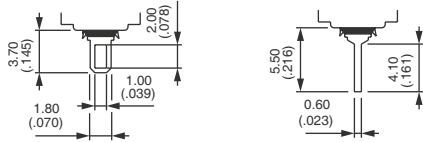
The company reserves the right to change specifications without notice.



# 18000 series

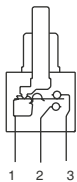
Snap-action momentary pushbutton switches

## TERMINALS

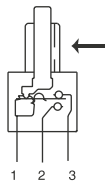


## ELECTRICAL FUNCTION

→ KEYWAY



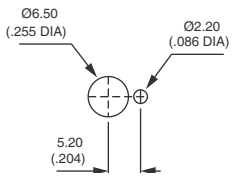
Plain bushing



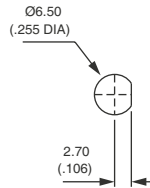
Threaded bushing

## PANEL CUT-OUT

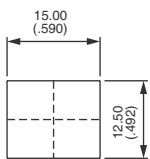
18500 - 18200



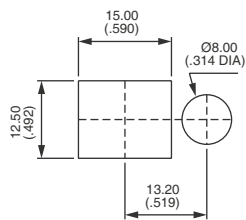
18700 - 18900



18800



With bezel U1200



With bezel U1210 for LED

# 18000 series

Snap-action momentary pushbutton switches



## BUILD YOUR PART NUMBER



## ABOUT THIS SERIES

On the following pages, you will find successively basic part numbers of switches and options in the same order as in above chart.

- ⚠ **Notice** : please note that not all combinations of above numbers are available. Refer to following pages for further information.
- 🔒 **Sealing boots** are available to protect the switches against dust and water. See "Sealing Boots" section on website.
- 🔧 **Mounting accessories** : standard hardware supplied with all models with Ø 6,35 (1/4) threaded bushing : 2 hex nuts 8 mm (.314) across flats, 1 locking ring and 1 lockwasher. Standard and special hardware is presented in the "Hardware" section of website.

# 18000 series

Snap-action momentary pushbutton switches

## THREADED BUSHING SOLDER LUG TERMINALS : 18500

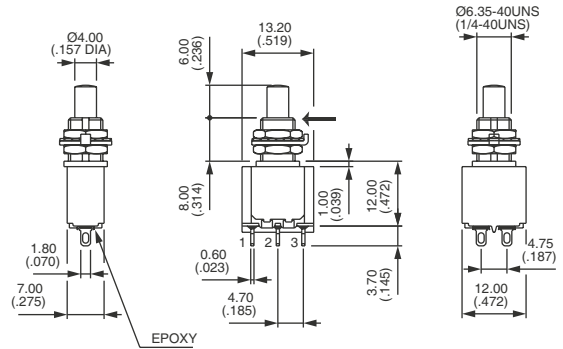


Single pole	1-3	1-2
<b>18535</b>	ON	MOM
Double pole	1-3	1-2
<b>18545</b>	ON	MOM



→ KEYWAY

Shown with standard plunger



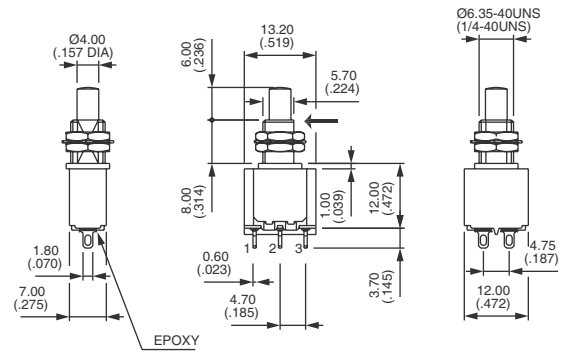
## FLATTED BUSHING SOLDER LUG TERMINALS : 18700



Single pole	1-3	1-2
<b>18735</b>	ON	MOM
Double pole	1-3	1-2
<b>18745</b>	ON	MOM



→ KEYWAY



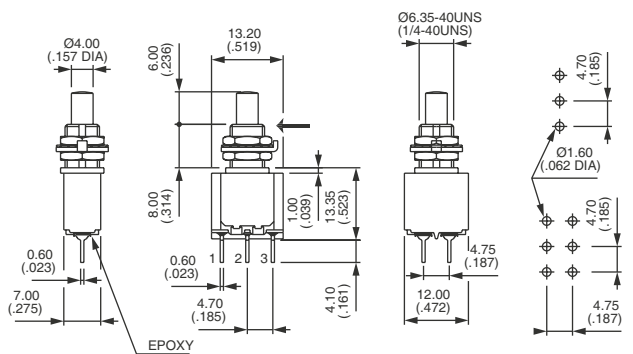
## THREADED BUSHING STRAIGHT PC TERMINALS : 18200



Single pole	1-3	1-2
<b>18235</b>	ON	MOM
Double pole	1-3	1-2
<b>18245</b>	ON	MOM



→ KEYWAY



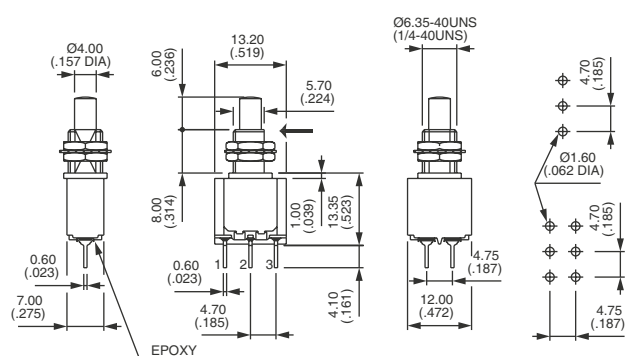
## FLATTED BUSHING - STRAIGHT PC TERMINALS : 18900



Single pole	1-3	1-2
<b>18935</b>	ON	MOM
Double pole	1-3	1-2
<b>18945</b>	ON	MOM



→ KEYWAY



# 18000 series

Snap-action momentary pushbutton switches

## SNAP-IN MOUNTING SOLDER LUG TERMINALS : 18800



Single pole

18835



1-3

ON



1-2

MOM

Double pole

18845

ON

MOM

Available with straight PC terminals : see X662 under "Special options"

## STRAIGHT PC TERMINALS BRACKET MOUNTING - SINGLE POLE : 18230Y



18235Y



ON



MOM

## STRAIGHT PC TERMINALS BRACKET MOUNTING - DOUBLE POLE : 18240Y



18245Y



ON



MOM

## RIGHT ANGLE TERMINALS HORIZONTAL : 18200W



Single pole

18235W



ON



MOM

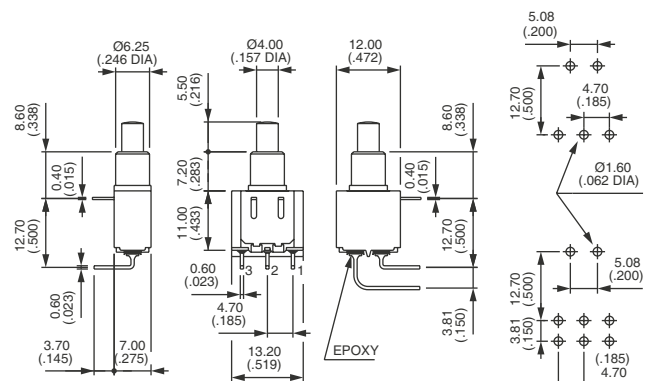
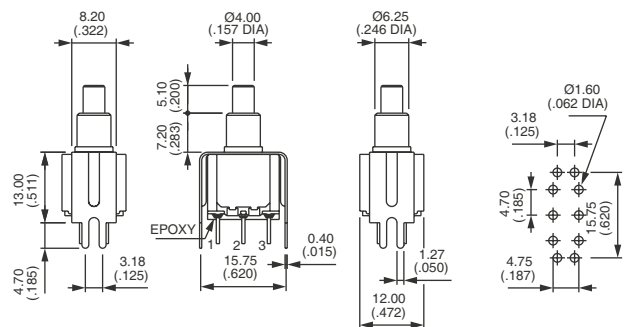
Double pole

18245W

ON

MOM

Shown with cap U910 + U1200



# 18000 series

Snap-action momentary pushbutton switches

## PLAIN BUSHING - RIGHT ANGLE TERMINALS VERTICAL : 18200WW



Single pole

**18235WW**



ON



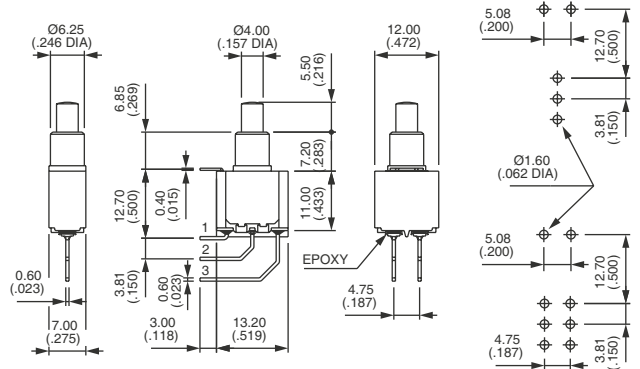
MOM

Double pole

**18245WW**

ON

MOM



### CONTACT MATERIALS



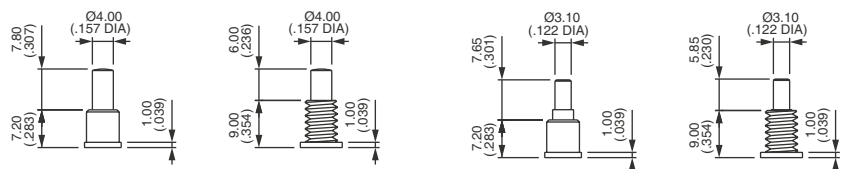
- AD Silver, gold plated
- CD Brass, gold plated

### PLUNGERS



Dash compulsory before plunger code.

- Blank Ø 4 (.157) - long
- 6 Ø 3.1 (.122)
- 3 Ø 4 (.157) - short
- 5 Ø 3.1 (.122)



Blank

-6

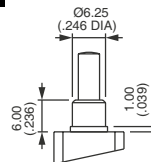
-3

-5

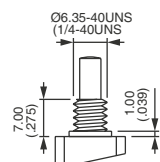
### SPECIAL OPTIONS



- X371 Plain bushing Ø 6.25 mm (.246) (instead of standard threaded bushing).
- X372 Shorter threaded bushing Ø 6.35 (1/4). Height 7 mm (.274).



X371



X372

# 18000 series

Snap-action momentary pushbutton switches

## SPECIAL OPTIONS (CONTINUED)



- X386** Threaded bushing  $\varnothing$  6.35 mm (1/4) to replace plain bushing on models W - WW and Y.
- X438** Plain bushing  $\varnothing$  6.25 mm (.246). **Height 7,2 mm (.283) - without shoulder.**
- X624** Straight PC terminals - bracket mounting - with shorter bushing and plunger
- X662** Snap-in mounting - straight PC terminals



### OPTION X624 - SINGLE POLE



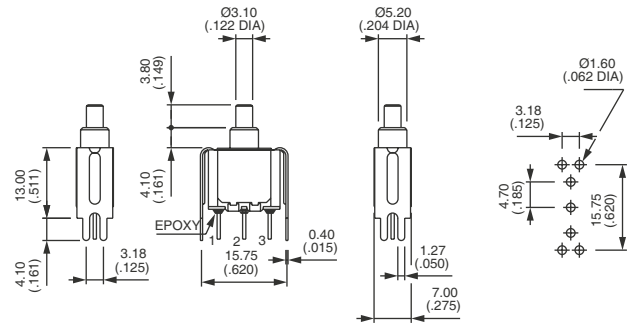
18235Y -2X624



ON



MOM



### OPTION X624 - DOUBLE POLE



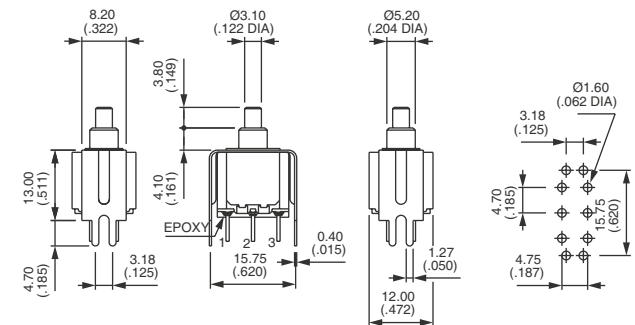
18245Y -2X624



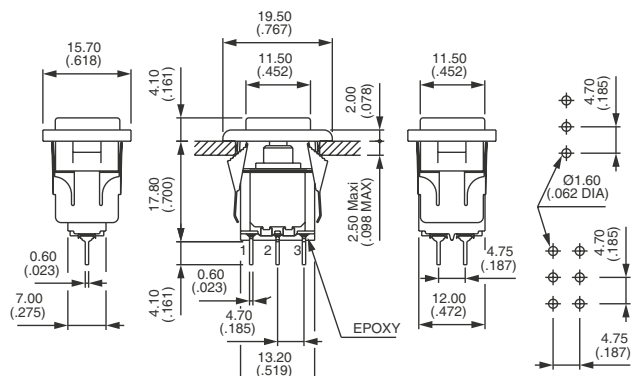
ON



MOM



### OPTION X662



# 18000 series

Snap-action momentary pushbutton switches

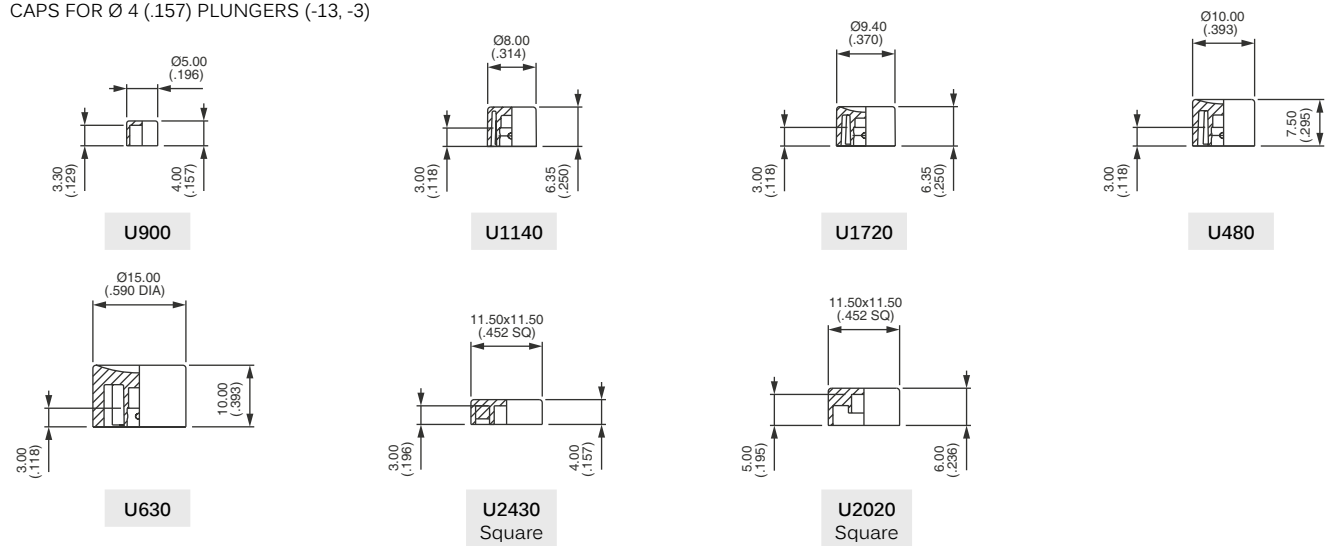
CAPS



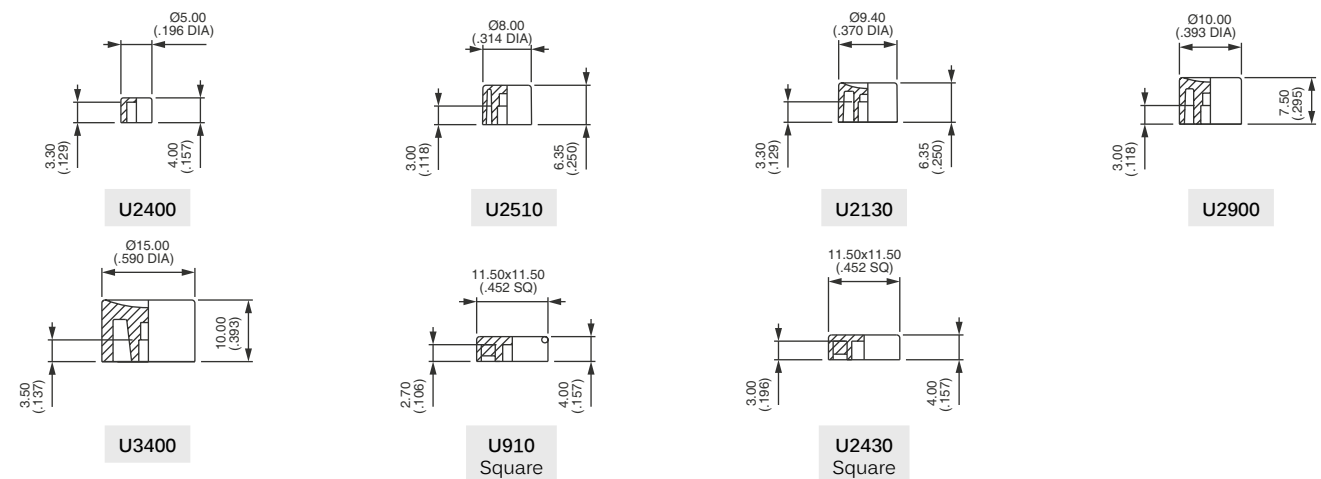
For cap colors, replace last "0" by number :

- |     |           |     |        |
|-----|-----------|-----|--------|
| 1   | Blue      | 5   | Yellow |
| 1/4 | Dark blue | 6   | Red    |
| 2   | Black     | 7   | Ivory  |
| 3   | Green     | 7/1 | White  |
| 4   | Grey      | 9   | Orange |

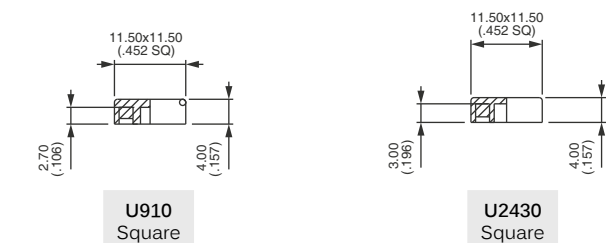
CAPS FOR Ø 4 (.157) PLUNGERS (-13, -3)



CAPS FOR Ø 3.1 (.122) PLUNGERS (-5, -6)



CAPS FOR Ø 3.1 (.122) PLUNGERS (-5, -6)





# 18000 series

Snap-action momentary pushbutton switches

## BEZELS



For cap colors, replace last "0" by number :

- |     |           |     |        |
|-----|-----------|-----|--------|
| 1   | Blue      | 5   | Yellow |
| 1/4 | Dark blue | 6   | Red    |
| 2   | Black     | 7   | Ivory  |
| 3   | Green     | 7/1 | White  |
| 4   | Grey      | 9   | Orange |

### STANDARD PANEL MOUNTING

Panel thickness with bezel : 1 mm (.039) to 2.5 mm (.098)



18800 + U910 + U1200



18800 + U910 + U1210

### FOR BRACKET MOUNTING MODELS (18200Y & 18200YX624)



U3200

### FOR SNAP-IN MODELS (18800 - 18800X662)



U1200



U1210  
For LED Ø 5 - not supplied

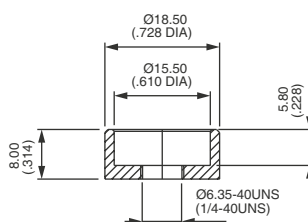
## DRESS NUTS

Order separately. For models with threaded bushing (18500 - 18700 - 18200 - 18900)  
Chrome plated.

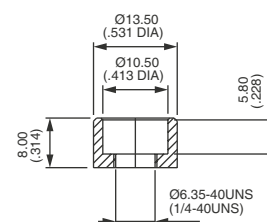
- U1636 For caps U1140 and U2510
- U840 For cap U480 and U2900
- U825 For caps U630 and U3400



U1636



U840



U825

# 18000 series

Snap-action momentary pushbutton switches •  
high currents



## DISTINCTIVE FEATURES

Tactile feedback  
High currents



## ELECTRICAL SPECIFICATIONS

- Max. current/voltage rating with resistive load : 7 A 30 VDC
- Initial contact resistance : 20 mΩ max. at 0.1 A 3 VDC
- Insulation resistance : 200,000 MΩ min. between terminals and frame
- Dielectric strength : 1,500 Vrms 50 Hz min.
- Electrical life : 60,000 cycles at full load



## GENERAL SPECIFICATIONS

- Total travel : 0.9 mm (.035) approx.
- Operating temperature : -30 °C to +65 °C (-22 °F to +149 °F)



## MATERIALS

- Case : diallyphthalate (DAP)
- Actuator : glass filled polyester
- Bushing : brass, nickel plated
- Housing : stainless steel
- Contacts : silver
- Terminal seal : epoxy

APEM products may be recycled at end-of-life for the re-claiming of valuable metal components.

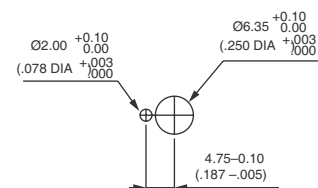


## ELECTRICAL FUNCTION

→ KEYWAY



## PANEL CUT-OUT



# 18000 series

Snap-action momentary pushbutton switches • high currents

## THREADED BUSHING - SINGLE POLE



18635A

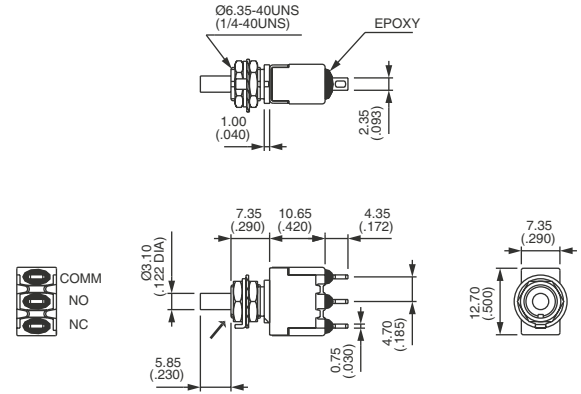


ON



MOM

→ KEYWAY



Also available in double pole configuration.

## CAPS

BASIC P/N

+ U...

ROUND

SQUARE

- U2400 Ø 5 (.196)
- U2510 Ø 8 (.314)
- U2130 Ø 9,4 (.370)
- U2900 Ø 10 (.393)
- U3400 Ø 15 (.590)

- U910 Height 4 (.157)
- U2340 Height 6 (.236)

For cap dimensions, see "Caps for Ø 3,1 (.122) plungers" on the preceding pages.

## Данный компонент на территории Российской Федерации

### Вы можете приобрести в компании MosChip.

Для оперативного оформления запроса Вам необходимо перейти по данной ссылке:

<http://moschip.ru/get-element>

Вы можете разместить у нас заказ для любого Вашего проекта, будь то серийное производство или разработка единичного прибора.

В нашем ассортименте представлены ведущие мировые производители активных и пассивных электронных компонентов.

Нашей специализацией является поставка электронной компонентной базы двойного назначения, продукции таких производителей как XILINX, Intel (ex.ALTERA), Vicor, Microchip, Texas Instruments, Analog Devices, Mini-Circuits, Amphenol, Glenair.

Сотрудничество с глобальными дистрибьюторами электронных компонентов, предоставляет возможность заказывать и получать с международных складов практически любой перечень компонентов в оптимальные для Вас сроки.

На всех этапах разработки и производства наши партнеры могут получить квалифицированную поддержку опытных инженеров.

Система менеджмента качества компании отвечает требованиям в соответствии с ГОСТ Р ИСО 9001, ГОСТ РВ 0015-002 и ЭС РД 009

### Офис по работе с юридическими лицами:

105318, г.Москва, ул.Щербаковская д.3, офис 1107, 1118, ДЦ «Щербаковский»

Телефон: +7 495 668-12-70 (многоканальный)

Факс: +7 495 668-12-70 (доб.304)

E-mail: [info@moschip.ru](mailto:info@moschip.ru)

Skype отдела продаж:

moschip.ru

moschip.ru\_4

moschip.ru\_6

moschip.ru\_9