

TIMER

■ GENERAL DESCRIPTION

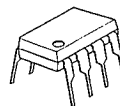
The NJM555 monolithic timing circuit is a highly stable controller capable of producing accurate time delays or oscillation. In the time delay mode, delay time is precisely controlled by only two external parts: a resistor and a capacitor. For operation as an oscillator, both the free running frequency and the duty cycle are accurately controlled by two external resistors and a capacitor.

Terminals are provided for triggering and resetting. The circuit will trigger and reset on falling waveforms. The output can source or sink up to 200mA or drive TTL circuits.

■ FEATURES

- Operating Voltage (4.5V ~ 16V)
- Less Number of External Components
- Package Outline DIP8, DMP8, SSOP8, SIP8
- Bipolar Technology

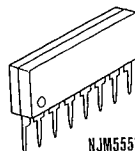
■ PACKAGE OUTLINE



NJM555D



NJM555M

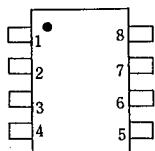


NJM555L

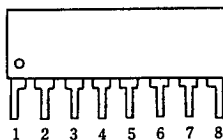


NJM555V

■ PIN CONFIGURATION



NJM555D  
NJM555M  
NJM555V

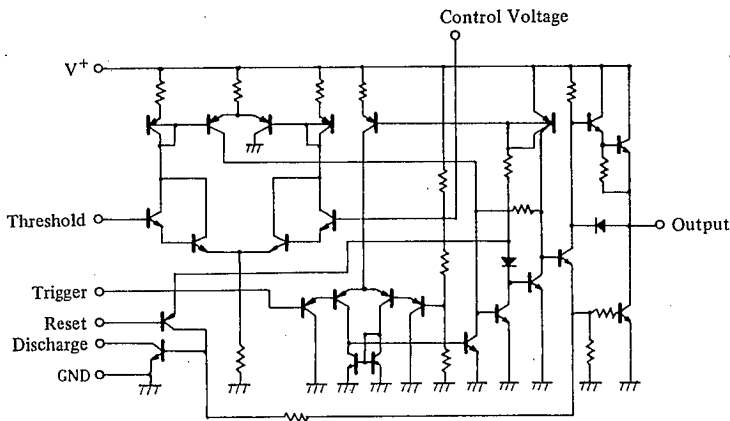


NJM555L

PIN FUNCTION

1. GND
2. Trigger
3. Output
4. Reset
5. Control Voltage
6. Threshold
7. Discharge
8. V<sup>+</sup>

■ EQUIVALENT CIRCUIT



## ■ ABSOLUTE MAXIMUM RATINGS

(Ta=25°C)

PARAMETER	SYMBOL	RATINGS	UNIT
Supply Voltage	V <sup>+</sup>	18	V
Power Dissipation	P <sub>d</sub>	(DIP8) 500	mW
		(DMP8) 300	mW
		(SSOP8) 250	mW
		(SIP8) 800	mW
Operating Temperature Range	T <sub>opr</sub>	-40~+85	°C
Storage Temperature Range	T <sub>stg</sub>	-40~+125	°C

## ■ ELECTRICAL CHARACTERISTICS

(V<sup>+</sup>=5~15V, Ta=25°C)

PARAMETER	SYMBOL	TEST CONDITION	MIN.	TYP.	MAX.	UNIT
Operating Voltage	V <sup>+</sup>		4.5	—	16	V
Operating Current (Note 1)	I <sub>cc</sub>	V <sup>+</sup> =5V, R <sub>L</sub> =∞	—	3.0	6.0	mA
Operating Current (Note 1)	I <sub>cc</sub>	V <sup>+</sup> =15V, R <sub>L</sub> =∞	—	10	15	mA
Timing Error (Note 2)						
Initial Accuracy	E <sub>t</sub>	Ta=-20~75°C, V <sup>+</sup> =5~15V	—	1.0	—	%
Drift with Temperature	E <sub>t</sub>	Ta=-20~75°C, V <sup>+</sup> =5~15V	—	50	—	ppm/°C
Drift with Supply Voltage	E <sub>t</sub>	Ta=-20~75°C, V <sup>+</sup> =5~15V	—	0.1	—	%/V
Threshold Voltage	V <sub>th</sub>		—	2/3	—	×V <sup>+</sup>
Trigger Voltage	V <sub>T</sub>	V <sup>+</sup> =15V	—	5.0	—	V
Trigger Voltage	V <sub>T</sub>	V <sup>+</sup> =5V	—	1.67	—	V
Trigger Current	I <sub>T</sub>		—	0.5	—	μA
Reset Voltage	V <sub>R</sub>		0.4	0.5	1.0	V
Reset Current	I <sub>R</sub>		—	0.1	—	mA
Threshold Current	I <sub>th</sub>		—	0.1	0.25	μA
Control Voltage Level	V <sub>CL</sub>	V <sup>+</sup> =15V	9	10	11	V
Control Voltage Level	V <sub>CL</sub>	V <sup>+</sup> =5V	2.6	3.33	4.0	V
Output Voltage (Low)	V <sub>OL</sub>	V <sup>+</sup> =15V I <sub>sink</sub> =10mA	—	0.1	0.25	V
Output Voltage (Low)	V <sub>OL</sub>	V <sup>+</sup> =15V I <sub>sink</sub> =50mA	—	0.4	0.75	V
Output Voltage (Low)	V <sub>OL</sub>	V <sup>+</sup> =15V I <sub>sink</sub> =100mA (Note 3)	—	2.0	2.5	V
Output Voltage (Low)	V <sub>OL</sub>	V <sup>+</sup> =15V I <sub>sink</sub> =200mA (Note 3)	—	2.5	—	V
Output Voltage (Low)	V <sub>OL</sub>	V <sup>+</sup> =5V I <sub>sink</sub> =5mA	—	0.25	0.35	V
Output Voltage (High)	V <sub>OHI</sub>	V <sup>+</sup> =15V I <sub>source</sub> =200mA (Note 3)	—	12.5	—	V
Output Voltage (High)	V <sub>OHI</sub>	V <sup>+</sup> =15V I <sub>source</sub> =100mA (Note 3)	12.75	13.3	—	V
Output Voltage (High)	V <sub>OHI</sub>	V <sup>+</sup> =15V I <sub>source</sub> =40mA	—	13.5	—	V
Output Voltage (High)	V <sub>OHI</sub>	V <sup>+</sup> =5V I <sub>source</sub> =100mA	2.75	3.3	—	V
Rise Time of Output	t <sub>r</sub>	No Loading	—	100	—	ns
Fall Time of Output	t <sub>f</sub>	No Loading	—	100	—	ns

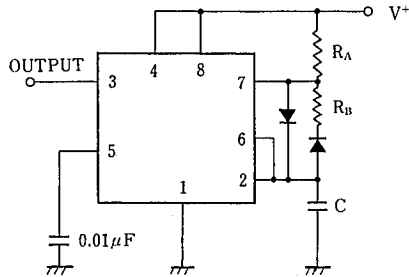
Note 1: Low output condition (When the output is high, it is lower than the low output condition by 1mA in the standard specification.)

Note 2: R<sub>A</sub>, R<sub>B</sub>=1k~100kΩ, C=0.1μF, V<sup>+</sup>=15V from 5V

Note 3: Not specified for NJM555M/NJM555E

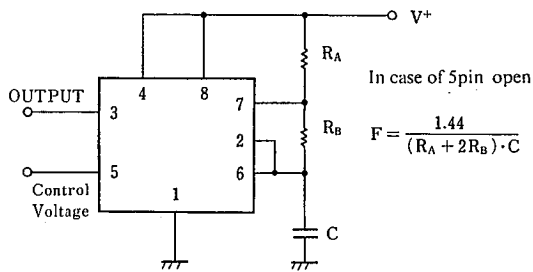
■ TYPICAL APPLICATION

(1) 50% Duty Cycle Oscillator



Duty cycle 50% at  $R_A = R_B$   
 Due to  $R_A, R_B$  value  
 the duty ratio becomes  
 lower than 50%.

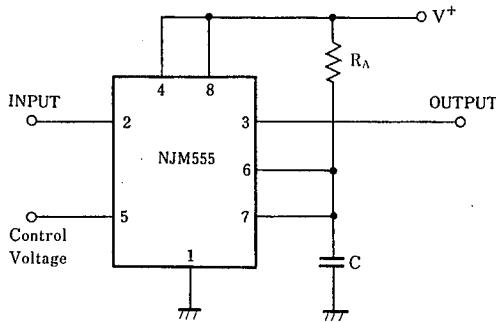
(2) Oscillation frequency can be changed by changing the control voltage.



In case of 5pin open  

$$F = \frac{1.44}{(R_A + 2R_B) \cdot C}$$

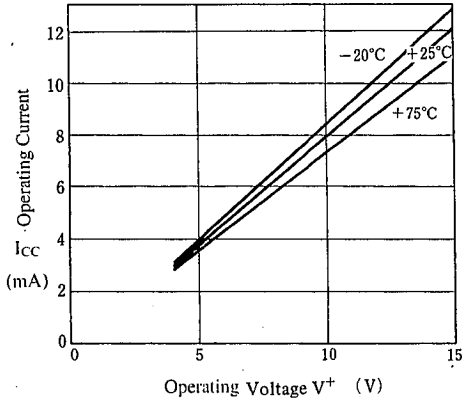
(3) Pulse Width Modulation



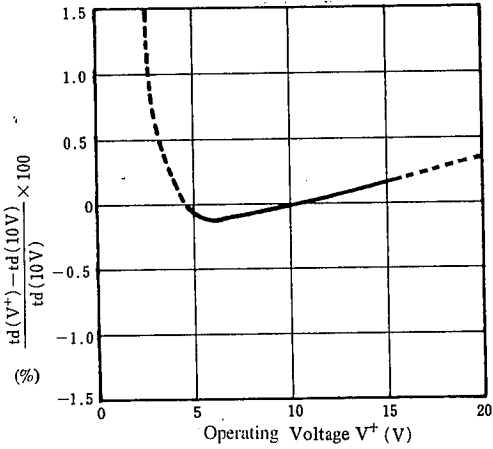
6

■ TYPICAL CHARACTERISTICS

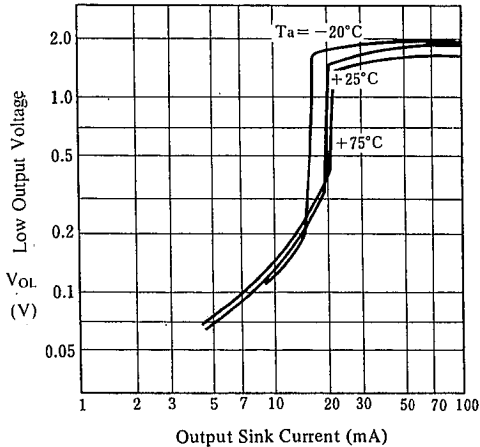
Operating Current vs. Operating Voltage  
( $V_{out} = \text{LOW STATE}$ )



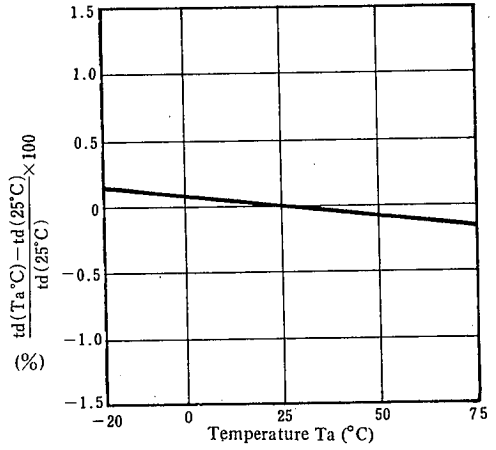
Delay Time vs. Operating Voltage  
( $T_a = 25^\circ\text{C}$ )



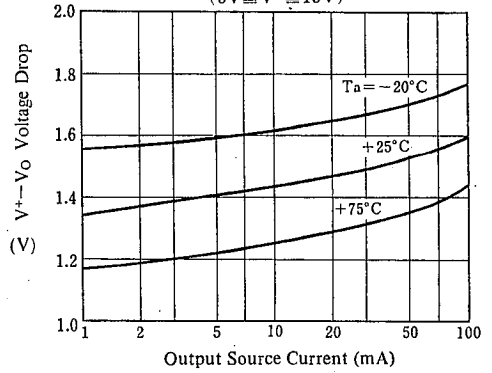
Low Output Voltage vs. Output Sink Current ( $V^+ = 5\text{V}$ )



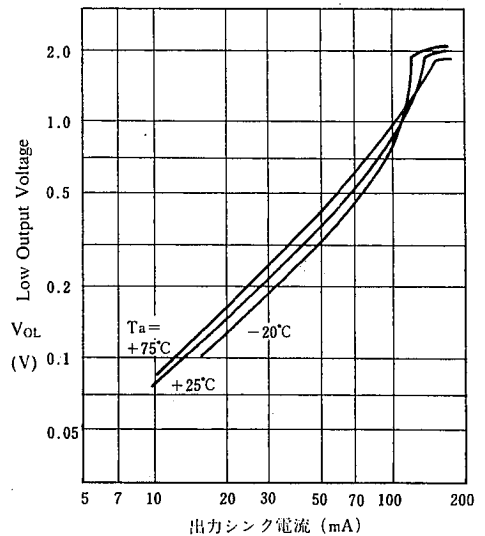
Delay Time vs. Temperature  
( $V^+ = 10\text{V}$ )



High Output Voltage Drop vs. Output Source Current  
( $5\text{V} \leq V^+ \leq 15\text{V}$ )



Low Output Voltage vs. Output Sink Current ( $V^+ = 15\text{V}$ )



6

■ TYPICAL CHARACTERISTICS

1. Monostable Operation

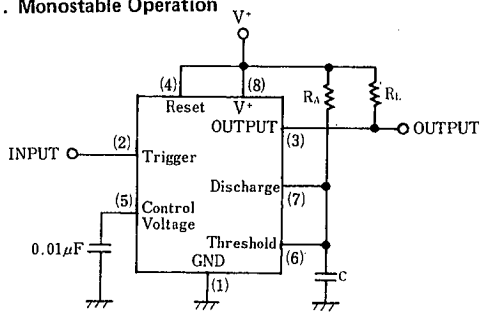


Fig. 1

2. Free Running Operation

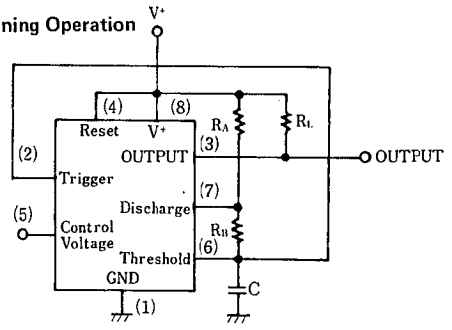


Fig. 3

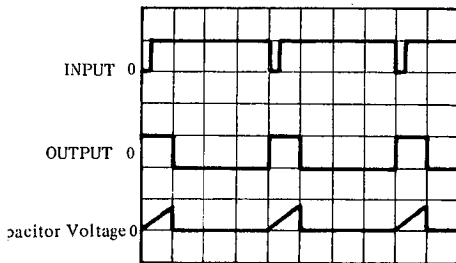


Fig.2 Wave Form

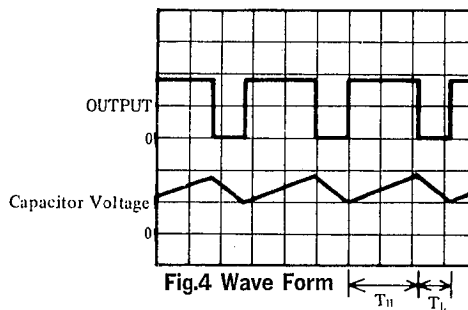
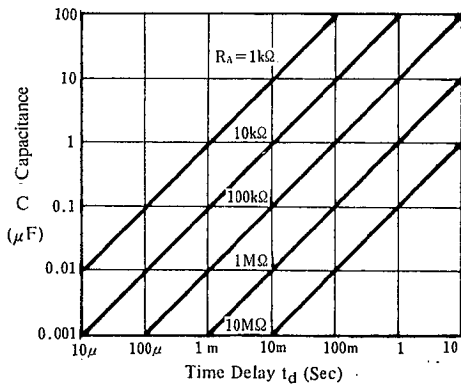
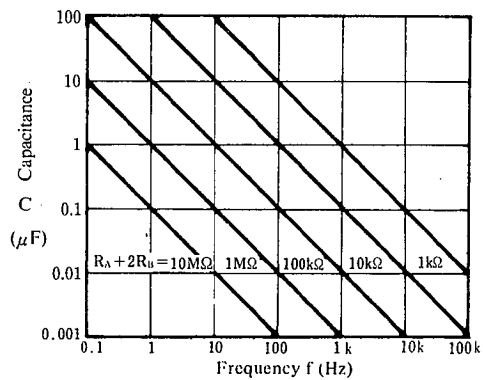


Fig.4 Wave Form



Time Delay vs. RA, RB and C

Fig. 2 shows a typical example of the monostable operation.  $T_H = 1.1R_A \cdot C$  assuming that  $T_H$  be the time at the high output level in this figure.



Free Running Frequency vs. RA, RB and C

Fig. 4 shows a typical example of the free running operation.

The charge time (output High) is given by:

$$T_H = 0.693 (R_A + R_B) \cdot C$$

And the discharge time (output Low) by:

$$T_L = 0.693 R_B \cdot C$$

The frequency of oscillation is:

$$F = \frac{1.44}{(R_A + 2R_B) \cdot C}$$

The duty cycle is:

$$D = \frac{T_H}{T_H + T_L} = \frac{R_A + R_B}{R_A + 2R_B}$$

## MEMO

[CAUTION]

The specifications on this databook are only given for information, without any guarantee as regards either mistakes or omissions. The application circuits in this databook are described only to show representative usages of the product and not intended for the guarantee or permission of any right including the industrial rights.

## Данный компонент на территории Российской Федерации

### Вы можете приобрести в компании MosChip.

Для оперативного оформления запроса Вам необходимо перейти по данной ссылке:

<http://moschip.ru/get-element>

Вы можете разместить у нас заказ для любого Вашего проекта, будь то серийное производство или разработка единичного прибора.

В нашем ассортименте представлены ведущие мировые производители активных и пассивных электронных компонентов.

Нашей специализацией является поставка электронной компонентной базы двойного назначения, продукции таких производителей как XILINX, Intel (ex.ALTERA), Vicor, Microchip, Texas Instruments, Analog Devices, Mini-Circuits, Amphenol, Glenair.

Сотрудничество с глобальными дистрибьюторами электронных компонентов, предоставляет возможность заказывать и получать с международных складов практически любой перечень компонентов в оптимальные для Вас сроки.

На всех этапах разработки и производства наши партнеры могут получить квалифицированную поддержку опытных инженеров.

Система менеджмента качества компании отвечает требованиям в соответствии с ГОСТ Р ИСО 9001, ГОСТ РВ 0015-002 и ЭС РД 009

### Офис по работе с юридическими лицами:

105318, г.Москва, ул.Щербаковская д.3, офис 1107, 1118, ДЦ «Щербаковский»

Телефон: +7 495 668-12-70 (многоканальный)

Факс: +7 495 668-12-70 (доб.304)

E-mail: [info@moschip.ru](mailto:info@moschip.ru)

Skype отдела продаж:

moschip.ru

moschip.ru\_4

moschip.ru\_6

moschip.ru\_9