





Features

- Small footprint size (0805) and low profile for space-constrained mobile applications
- Ultra-low resistance
- Symmetrical design
- Surface mount packaging for automated assembly
- RoHS compliant* and halogen free**
- Agency recognition:  

Applications

- USB port protection - USB 2.0, 3.0 & OTG
- HDMI 1.4 Source protection
- PC motherboards - Plug & Play protection
- Mobile phones - Battery & port protection
- PDAs / digital cameras
- Bluetooth® earphone power protection
- Game console port protection

MF-PSML Series - Low Ohmic PTC Resettable Fuses

Electrical Characteristics

| Model | V max. Volts | I max. Amps | I _{hold} | I _{trip} | Resistance | | Max. Time To Trip | | Tripped Power Dissipation |
|---------------|--------------|-------------|-------------------|-------------------|-------------------|--------------------|-------------------|------------------|---------------------------|
| | | | Amperes at 23 °C | | Ohms at 23 °C | | Amperes at 23 °C | Seconds at 23 °C | Watts at 23 °C |
| | | | Hold | Trip | R _{Min.} | R _{1Max.} | | | Typ. |
| MF-PSML110 | 6 | 50 | 1.10 | 1.80 | 0.0175 | 0.130 | 8.00 | 0.3 | 0.6 |
| MF-PSML150 | 6 | 50 | 1.50 | 3.00 | 0.015 | 0.065 | 8.00 | 0.5 | 0.6 |
| MF-PSML175 | 6 | 50 | 1.75 | 3.50 | 0.005 | 0.055 | 8.00 | 0.6 | 0.6 |
| MF-PSML200 | 6 | 50 | 2.00 | 4.00 | 0.005 | 0.045 | 8.00 | 1.0 | 0.6 |
| MF-PSML260 | 6 | 50 | 2.60 | 5.00 | 0.003 | 0.035 | 8.00 | 4.0 | 0.6 |
| MF-PSML300 | 6 | 50 | 3.00 | 6.00 | 0.003 | 0.030 | 8.00 | 5.0 | 0.6 |
| MF-PSML350*** | 6 | 50 | 3.50 | 7.00 | 0.003 | 0.025 | 8.00 | 5.0 | 0.6 |

*** TÜV approval pending.

Environmental Characteristics

| | | |
|---------------------------------------|-----------------------------------------------|---------------------------------|
| Operating Temperature..... | -40 °C to +85 °C | |
| Passive Aging..... | +85 °C, 1000 hours..... | ±10 % typical resistance change |
| Humidity Aging..... | +85 °C, 85 % R.H. 100 hours..... | ±15 % typical resistance change |
| Thermal Shock..... | +85 °C to -40 °C, 20 times..... | ±30 % typical resistance change |
| Solvent Resistance..... | MIL-STD-202, Method 215..... | No change |
| Vibration..... | MIL-STD-883C, Method 2007.1, Condition A..... | No change |
| Moisture Sensitivity Level (MSL)..... | Level 1..... | |
| ESD Classification - HBM..... | Class 6..... | |

Test Procedures And Requirements For Model MF-PSML Series

| Test | Test Conditions | Accept/Reject Criteria |
|-----------------------------|----------------------------------------------------------------------------------------------------------------------------------------------|---------------------------------------------|
| Visual/Mech..... | Verify dimensions and materials..... | Per MF physical description |
| Resistance..... | In still air @ 23 °C..... | $R_{min} \leq R \leq R_{1max}$ |
| Time to Trip..... | At specified current, V _{max} , 23 °C..... | $T \leq \text{max. time to trip (seconds)}$ |
| Hold Current..... | 30 min. at I _{hold} | No trip |
| Trip Cycle Life..... | V _{max} , I _{max} , 100 cycles..... | No arcing or burning |
| Trip Endurance..... | V _{max} , 48 hours..... | No arcing or burning |
| Solderability..... | ANSI/J-STD-002..... | 95 % min. coverage |
| UL File Number..... | E174545 http://www.ul.com/ Follow link to Certifications, then UL File No., enter E174545 | |
| TÜV Certificate Number..... | R 50171531 http://www.tuvdotcom.com/ Follow link to "other certificates", enter File No. 50171531 | |

* RoHS Directive 2002/95/EC Jan. 27, 2003 including annex and RoHS Recast 2011/65/EU June 8, 2011.

**Bourns considers a product to be "halogen free" if (a) the Bromine (Br) content is 900 ppm or less; (b) the Chlorine (Cl) content is 900 ppm or less; and (c) the total Bromine (Br) and Chlorine (Cl) content is 1500 ppm or less.

Specifications are subject to change without notice.

The device characteristics and parameters in this data sheet can and do vary in different applications and actual device performance may vary over time. Users should verify actual device performance in their specific applications.

MF-PSML Series - Low Ohmic PTC Resettable Fuses

BOURNS®

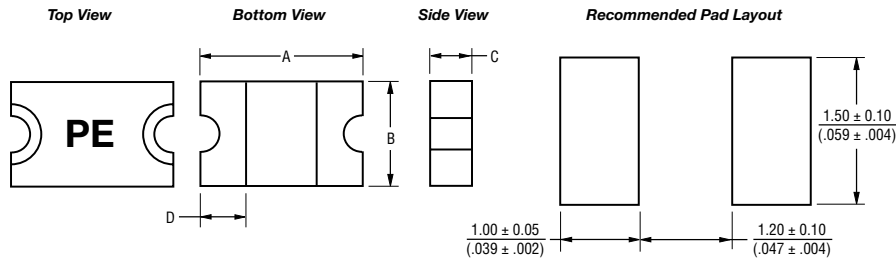
Product Dimensions

| Model | A | | B | | C | | D |
|------------|------------------------|------------------------|------------------------|------------------------|------------------------|------------------------|------------------------|
| | Min. | Max. | Min. | Max. | Min. | Max. | Min. |
| MF-PSML110 | $\frac{2.00}{(0.079)}$ | $\frac{2.30}{(0.091)}$ | $\frac{1.20}{(0.047)}$ | $\frac{1.50}{(0.059)}$ | $\frac{0.30}{(0.012)}$ | $\frac{0.60}{(0.024)}$ | $\frac{0.20}{(0.008)}$ |
| MF-PSML150 | | | | | | | |
| MF-PSML175 | | | | | | | |
| MF-PSML200 | | | | | | | |
| MF-PSML260 | $\frac{2.00}{(0.079)}$ | $\frac{2.30}{(0.091)}$ | $\frac{1.20}{(0.047)}$ | $\frac{1.50}{(0.059)}$ | $\frac{0.45}{(0.018)}$ | $\frac{0.80}{(0.031)}$ | $\frac{0.20}{(0.008)}$ |
| MF-PSML300 | | | | | | | |
| MF-PSML350 | | | | | | | |

Packaging:

MF-PSML110~MF-PSML200 = 6000 pcs. per reel
 MF-PSML260~MF-PSML350 = 4500 pcs. per reel

DIMENSIONS: $\frac{\text{MM}}{(\text{INCHES})}$



Terminal material:
 Nickel/gold plated.

Termination pad solderability:
 Standard Au finish:
 Meets ANSI/J-STD-002 Category 2.

Recommended Storage:
 40 °C max./70 % RH max.

Thermal Derating Chart - I_{hold} (Amps)

| Model | Ambient Operating Temperature | | | | | | | | |
|------------|-------------------------------|--------|------|-------|-------|-------|-------|-------|-------|
| | -40 °C | -20 °C | 0 °C | 23 °C | 40 °C | 50 °C | 60 °C | 70 °C | 85 °C |
| MF-PSML110 | 1.93 | 1.65 | 1.37 | 1.10 | 0.83 | 0.69 | 0.55 | 0.41 | 0.31 |
| MF-PSML150 | 2.37 | 2.07 | 1.80 | 1.50 | 1.25 | 1.08 | 0.93 | 0.74 | 0.50 |
| MF-PSML175 | 2.57 | 2.33 | 2.07 | 1.75 | 1.49 | 1.36 | 1.24 | 1.00 | 0.91 |
| MF-PSML200 | 2.94 | 2.66 | 2.36 | 2.00 | 1.70 | 1.55 | 1.42 | 1.14 | 1.04 |
| MF-PSML260 | 3.82 | 3.46 | 3.07 | 2.60 | 2.21 | 2.02 | 1.85 | 1.48 | 1.35 |
| MF-PSML300 | 4.41 | 3.99 | 3.54 | 3.00 | 2.55 | 2.33 | 2.13 | 1.71 | 1.56 |
| MF-PSML350 | 5.51 | 4.66 | 4.13 | 3.50 | 2.98 | 2.71 | 2.49 | 2.00 | 1.82 |

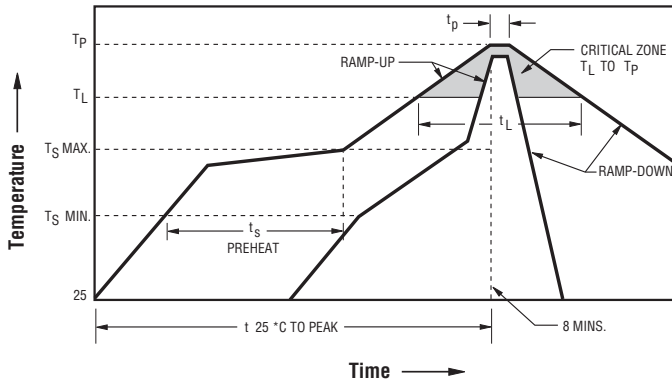
Specifications are subject to change without notice.

The device characteristics and parameters in this data sheet can and do vary in different applications and actual device performance may vary over time. Users should verify actual device performance in their specific applications.

MF-PSML Series - Low Ohmic PTC Resettable Fuses



Solder Reflow Recommendations



Notes:

- MF-PSML models cannot be wave soldered or hand soldered. Please contact Bourns for soldering recommendations.
- All temperatures refer to topside of the package, measured on the package body surface.
- If reflow temperatures exceed the recommended profile, devices may not meet the published specifications.
- Compatible with Pb and Pb-free solder reflow profiles.
- Excess solder may cause a short circuit, especially during hand soldering. Please refer to the Multifuse® Polymer PTC Soldering Recommendation guidelines.
- Designed for single solder reflow operations.

| Profile Feature | Pb-Free Assembly |
|-----------------------------------------------------------------------------------------------------------------------------|------------------------------------|
| Average Ramp-Up Rate ($T_{S\ max}$ to T_P) | 3 °C / second max. |
| PREHEAT: Temperature Min. ($T_{S\ min}$) Temperature Max. ($T_{S\ max}$) Time ($t_{s\ min}$ to $t_{s\ max}$) | 150 °C 200 °C 60~180 seconds |
| TIME MAINTAINED ABOVE: Temperature (T_L) Time (t_L) | 217 °C 60~150 seconds |
| Peak / Classification Temperature (T_P) | 260 °C |
| Time within 5 °C of Actual Peak Temperature (t_p) | 20~40 seconds |
| Ramp-Down Rate | 6 °C / second max. |
| Time within 25 °C to Peak Temperature | 8 minutes max. |

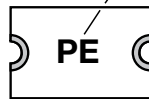
How to Order

MF - PSML 110 - 2

Multifuse® Product Designator _____
 Series _____
 PSML = 0805 Surface Mount Component
 Hold Current, I_{hold} _____
 110 - 350 (1.10 Amps - 3.50 Amps)
 Packaging _____
 Packaged per EIA 481-1
 -2 = Tape and Reel

Typical Part Marking

Represents total content. Layout may vary.



PART IDENTIFICATION:

- MF-PSML110 = PE
- MF-PSML150 = PG
- MF-PSML175 = PH
- MF-PSML200 = PJ
- MF-PSML260 = PN
- MF-PSML300 = PP
- MF-PSML350 = PS

BIWEEKLY DATE CODE WILL APPEAR ON THE PACKAGING LABEL:
 WEEK 1 AND 2 = A
 WEEK 51 AND 52 = Z



Asia-Pacific:

Tel: +886-2 2562-4117
 Email: asiacus@bourns.com

Europe:

Tel: +36 88 520 390
 Email: eurocus@bourns.com

The Americas:

Tel: +1-951 781-5500
 Email: americus@bourns.com

www.bourns.com

MF-PSML SERIES, REV. A, 05/17

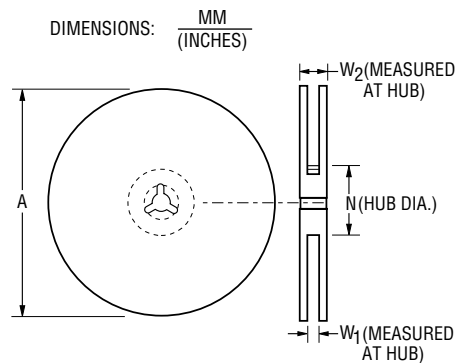
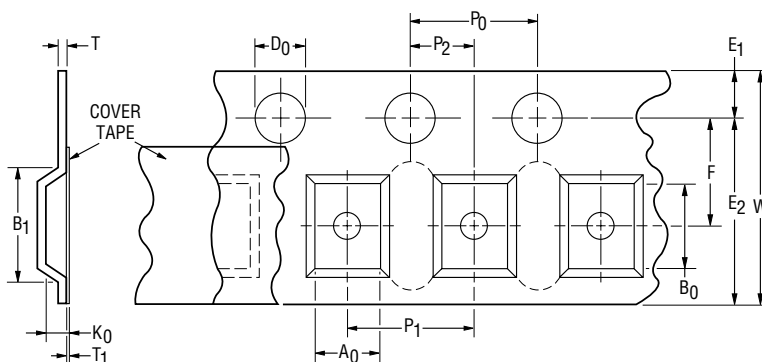
Specifications are subject to change without notice.

The device characteristics and parameters in this data sheet can and do vary in different applications and actual device performance may vary over time. Users should verify actual device performance in their specific applications.

MF-PSML Series Tape and Reel Specifications

BOURNS®

| Tape Dimensions | MF-PSML Series per EIA 481-1 |
|----------------------------------------|------------------------------------------|
| W | 8.0 ± 0.30 (0.315 ± 0.012) |
| P ₀ | 4.0 ± 0.10 (0.157 ± 0.004) |
| P ₁ | 4.0 ± 0.10 (0.157 ± 0.004) |
| P ₂ | 2.0 ± 0.05 (0.079 ± 0.002) |
| A ₀ | 1.70 ± 0.10 (0.067 ± 0.004) |
| B ₀ | 2.45 ± 0.10 (0.096 ± 0.004) |
| B ₁ max. | 4.35 (0.171) |
| D ₀ | $1.5 + 0.10/-0.0$ (0.059 + 0.004/-0) |
| F | 3.5 ± 0.05 (0.138 ± 0.002) |
| E ₁ | 1.75 ± 0.10 (0.069 ± 0.004) |
| E ₂ min. | 6.25 (0.246) |
| T max. | 0.6 (0.024) |
| T ₁ max. | 0.1 (0.004) |
| K ₀ (MF-PSML110~MF-PSML200) | 0.65 ± 0.10 (0.026 ± 0.004) |
| K ₀ (MF-PSML260~MF-PSML350) | 0.95 ± 0.10 (0.037 ± 0.004) |
| Leader min. | 390 (15.35) |
| Trailer min. | 160 (6.30) |
| Reel Dimensions | |
| A max. | 185 (7.28) |
| N min. | 50 (1.97) |
| W ₁ | $8.4 + 1.5/-0.0$ (0.331 + 0.059/-0.0) |
| W ₂ max. | 14.4 (0.567) |



Specifications are subject to change without notice.
 The device characteristics and parameters in this data sheet can and do vary in different applications and actual device performance may vary over time.
 Users should verify actual device performance in their specific applications.

Данный компонент на территории Российской Федерации

Вы можете приобрести в компании MosChip.

Для оперативного оформления запроса Вам необходимо перейти по данной ссылке:

<http://moschip.ru/get-element>

Вы можете разместить у нас заказ для любого Вашего проекта, будь то серийное производство или разработка единичного прибора.

В нашем ассортименте представлены ведущие мировые производители активных и пассивных электронных компонентов.

Нашей специализацией является поставка электронной компонентной базы двойного назначения, продукции таких производителей как XILINX, Intel (ex.ALTERA), Vicor, Microchip, Texas Instruments, Analog Devices, Mini-Circuits, Amphenol, Glenair.

Сотрудничество с глобальными дистрибьюторами электронных компонентов, предоставляет возможность заказывать и получать с международных складов практически любой перечень компонентов в оптимальные для Вас сроки.

На всех этапах разработки и производства наши партнеры могут получить квалифицированную поддержку опытных инженеров.

Система менеджмента качества компании отвечает требованиям в соответствии с ГОСТ Р ИСО 9001, ГОСТ РВ 0015-002 и ЭС РД 009

Офис по работе с юридическими лицами:

105318, г.Москва, ул.Щербаковская д.3, офис 1107, 1118, ДЦ «Щербаковский»

Телефон: +7 495 668-12-70 (многоканальный)

Факс: +7 495 668-12-70 (доб.304)

E-mail: info@moschip.ru

Skype отдела продаж:

moschip.ru

moschip.ru_4

moschip.ru_6

moschip.ru_9