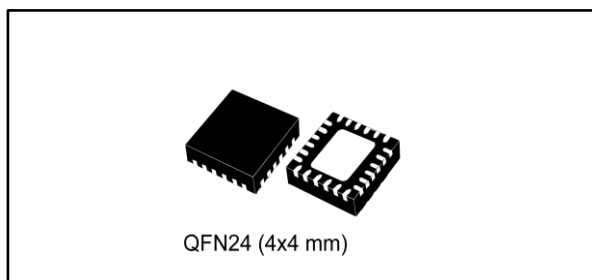


Dual LNBS supply and control IC with step-up and I²C interface

Datasheet - production data



Features

- Complete interface between the LNB and I²C bus
- Built-in DC-DC converter for single 12 V supply operation and high efficiency (typ. 93% @ 0.5 A)
- Selectable output current limit by external resistor
- Compliant with main satellite receiver output voltage specification (8 programmable levels)
- Accurate built-in 22 kHz tone generator suits widely accepted standards
- 22 kHz tone waveform integrity guaranteed also at no load condition
- Low drop post regulator and high efficiency step-up PWM with integrated power NMOS allowing low power losses
- Overload and overtemperature internal protection with I²C diagnostic bits

- LNB short-circuit dynamic protection
- +/- 4 kV ESD tolerant on output power pins

Applications

- STB satellite receivers
- TV satellite receivers
- PC card satellite receivers

Description

Intended for analog and digital dual satellite receiver/Sat-TV, Sat-PC cards, the LNBH26LS is a monolithic voltage regulator and IC interface, assembled in QFN24 (4x4 mm) specifically designed to provide the 13/18 V power supply and the 22 kHz tone signaling to the LNB down-converter in the antenna dishes or to the multi-switch box. In this application field, it offers a complete solution for dual tuner satellite receivers with extremely low component count, low power dissipation together with simple design and I²C standard interfacing.

Table 1: Device summary

Order code	Package	Packing
LNBH26LSPQR	QFN24 (4x4 mm)	Tape and reel

Contents

1	Block diagram	6
2	Application information (valid for each section A/B)	7
	2.1 DISEQC™ data encoding (DSQIN pin).....	7
	2.2 Data encoding by external 22 kHz tone TTL signal.....	7
	2.3 Data encoding by external DiSEqC envelope control through the DSQIN pin.....	8
	2.4 Output current limit selection.....	8
	2.5 Output voltage selection.....	8
	2.6 Diagnostic and protection functions	8
	2.7 Surge protection and TVS diodes	9
	2.8 Power-on I ² C interface reset and undervoltage lockout	9
	2.9 PNG: input voltage minimum detection	9
	2.10 COMP: boost capacitors and inductor.....	9
	2.11 OLF: overcurrent and short-circuit protection and diagnostic.....	10
	2.12 OTF: thermal protection and diagnostic	10
3	Pin configuration	11
4	Maximum ratings	14
5	Typical application circuits	15
6	I²C bus interface	17
	6.1 Data validity.....	17
	6.2 Start and stop condition	17
	6.3 Byte format.....	17
	6.4 Acknowledge.....	17
	6.5 Transmission without acknowledge.....	17
7	I²C interface protocol	19
	7.1 Write mode transmission.....	19
	7.2 Read mode transmission	20
	7.3 Data registers.....	21
	7.4 Status registers	23
8	Electrical characteristics	25
	8.1 Output voltage selection.....	27
9	Package information	29

9.1	QFN24L (4x4 mm) package information	30
9.2	QFN24L (4x4 mm) packing information	32
10	Revision history	34

List of tables

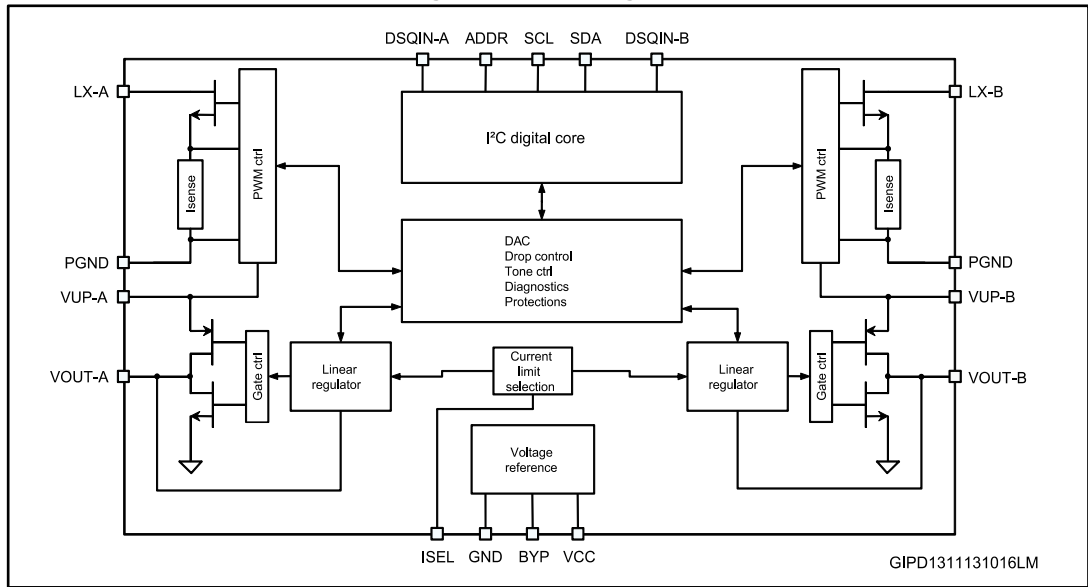
Table 1: Device summary	1
Table 2: Pin description	12
Table 3: Absolute maximum ratings	14
Table 4: Thermal data	14
Table 5: LNBH26LS DiSEqC 1.x bill of material	16
Table 6: DATA 1 (read/write register. Register address = 0X2)	21
Table 7: DATA 2 (read/write register. Register address = 0X3)	21
Table 8: DATA 3 (read/write register. Register address = 0X4)	22
Table 9: DATA 4 (read/write register. Register address = 0X5)	23
Table 10: STATUS 1 (read register. Register address = 0X0)	23
Table 11: STATUS 2 (read register. Register address = 0X1)	24
Table 12: Electrical characteristics of section A/B	25
Table 13: Output voltage selection table (data1 register, write mode)	27
Table 14: I ² C electrical characteristics	27
Table 15: Address pin characteristics	28
Table 16: QFN24L (4x4 mm) package mechanical data	31
Table 17: QFN24L (4x4 mm) tape mechanical data	32
Table 18: QFN24L (4x4 mm) reel mechanical data	33
Table 19: Document revision history	34

List of figures

Figure 1: Block diagram	6
Figure 2: Tone enable and disable timing (using an external waveform)	7
Figure 3: Tone enable and disable timing (using envelope signal)	8
Figure 4: Surge protection circuit	9
Figure 5: Pin connections (top view)	11
Figure 6: LNBH26LS DiSEqC 1.X typical application circuit	15
Figure 7: Data validity on the I ² C bus	18
Figure 8: Timing diagram of I ² C bus	18
Figure 9: Acknowledge on the I ² C bus	18
Figure 10: Example of writing procedure starting with first data address 0x2	19
Figure 11: Example of reading procedure starting with first status address 0X0	20
Figure 12: QFN24L (4x4 mm) package outline	30
Figure 13: QFN24L (4x4 mm) recommended footprint	31
Figure 14: QFN24L (4x4 mm) tape outline	32
Figure 15: QFN24L (4x4 mm) reel outline	33

1 Block diagram

Figure 1: Block diagram



2 Application information (valid for each section A/B)

This IC has a built-in DC-DC step-up converter that, from a single source (8 V to 16 V), generates the voltages (VUP) that let the integrated LDO post-regulator (generating the 13 V/18 V LNB output voltages plus the 22 kHz DiSEqC tone) work with a minimum dissipated power of 0.5 W typ. @ 500 mA load (the LDO drop voltage is internally kept at $VUP - VOUT = 1\text{ V}$ typ.). The IC is also provided with an undervoltage lockout circuit that disables the whole circuit when the supplied VCC drops below a fixed threshold (4.7 V typically). The step-up converter soft-start function reduces the in-rush current during startup. The SS time is internally fixed at 4 ms typ. to switch from 0 to 13 V and 6 ms typ. to switch from 0 to 18 V.

2.1 DISEQC™ data encoding (DSQIN pin)

The internal 22 kHz tone generator is factory trimmed in accordance with the DiSEqC™ standards, and can be activated in 3 different ways:

- 1) By an external 22 kHz source DiSEqC™ data connected to the DSQIN logic pin (TTL compatible). In this case the I²C tone control bits must be set: EXT_M=TEN=1.
- 2) By an external DiSEqC™ data envelope source connected to the DSQIN logic pin. In this case the I²C tone control bits must be set: EXT_M=0 and TEN=1.
- 3) Through the TEN I²C bit if the 22 kHz presence is requested in continuous mode. In this case the DSQIN TTL pin must be pulled high and the EXT_M bit set to "0".

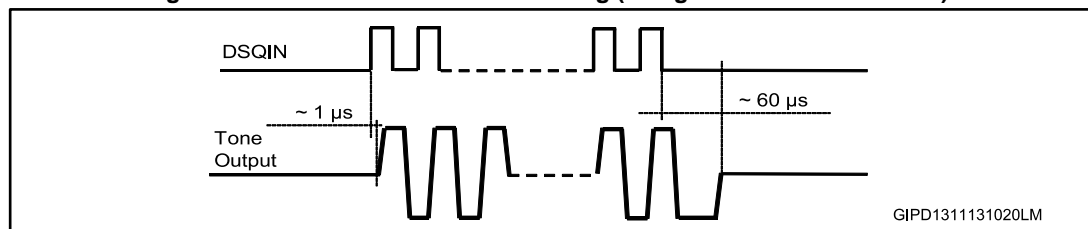
2.2 Data encoding by external 22 kHz tone TTL signal

In order to improve design flexibility, an external tone signal can be input to the DSQIN pin by setting the EXT_M bit to "1".

The DSQIN is a logic input pin which activates the 22 kHz tone to the VOUT pin, by using the LNBH26LS integrated tone generator.

The output tone waveforms are internally controlled by the LNBH26LS tone generator in terms of rise/fall time and tone amplitude, while, the external 22 kHz signal on the DSQIN pin is used to define the frequency and the duty cycle of the output tone. A TTL compatible 22 kHz signal is required for the proper control of the DSQIN pin function. Before sending the TTL signal on the DSQIN pin, the EXT_M and TEN bits must be previously set to "1". As soon as the DSQIN internal circuit detects the 22 kHz TTL external signal code, the LNBH26LS activates the 22 kHz tone on the VOUT output with about 1 μs delay from TTL signal activation, and it stops with about 60 μs delay after the 22 kHz TTL signal on DSQIN has expired. Refer to [Figure 2: "Tone enable and disable timing \(using an external waveform\)"](#).

Figure 2: Tone enable and disable timing (using an external waveform)

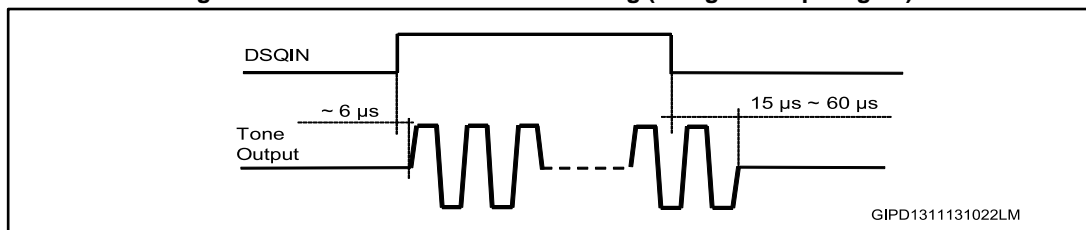


2.3 Data encoding by external DiSEqC envelope control through the DSQIN pin

If an external DiSEqC™ envelope source is available, the internal 22 kHz generator can be activated during the tone transmission by connecting the DiSEqC™ envelope source to the DSQIN pin. In this case the I²C tone control bits must be set: EXTM=0 and TEN=1. In this manner, the internal 22 kHz signal is superimposed to the VOUT DC voltage to generate the LNB output 22 kHz tone. During the period in which the DSQIN is kept high the internal control circuit activates the 22 kHz tone output.

The 22 kHz tone on the VOUT pin is activated with about 6 μs delay from the DSQIN TTL signal rising edge, and it stops with a delay time in the range from 15 μs to 60 μs after the 22 kHz TTL signal on DSQIN has expired, refer to [Figure 3: "Tone enable and disable timing \(using envelope signal\)"](#).

Figure 3: Tone enable and disable timing (using envelope signal)



2.4 Output current limit selection

The linear regulator current limit threshold can be set by an external resistor connected to the ISEL pin. The resistor value defines the output current limit as per below equation:

Equation 1:

$$I_{LIM} \text{ (typ.)} = \frac{16578}{RSEL^{1.206}}$$

with ISET = 0,

where RSEL is the resistor connected between ISEL and GND expressed in kW and $I_{LIM}(\text{typ.})$ is the typical current limit threshold expressed in mA. I_{LIM} can be set up to 750 mA for each channel. However, do not exceed, for a long period of time, a total amount of current of 1 A from both sections ($I_{OUT-A} + I_{OUT-B} < 1 \text{ A}$) in order to avoid the overtemperature protection triggering and to thoroughly validate the PCB layout thermal management in real application environment conditions.

2.5 Output voltage selection

Each linear regulator channel output voltage level can be easily programmed to accomplish application specific requirements, using 4 + 4 bits of an internal DATA1 register, see [Section 7.3: "Data registers"](#) and [Table 13: "Output voltage selection table \(data1 register, write mode\)"](#) for exact programmable values. Register writing is accessible via the I²C bus.

2.6 Diagnostic and protection functions

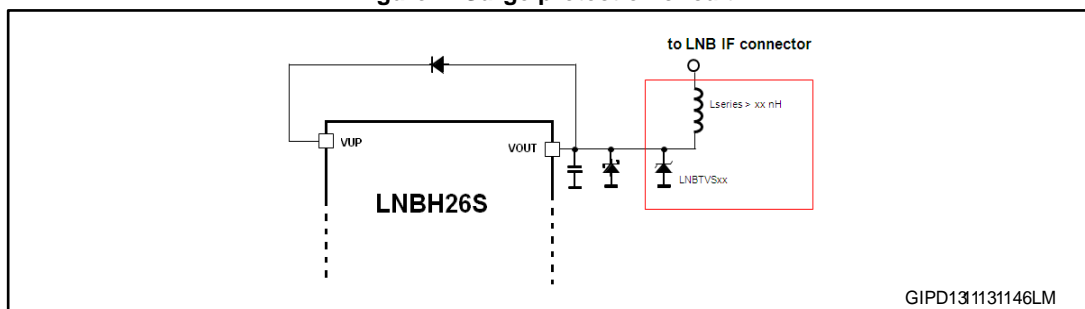
The LNBH26LS has 4 diagnostic internal functions provided via the I²C bus, by reading 4 bits on the STATUS1 register (in read mode). All the diagnostic bits are, in normal operation (that is, no failure detected), set to low. One diagnostic bit is dedicated to the

overtemperature (OTF), and two bits (one per section) are dedicated to overcurrent (OLF-A, OLF-B). One bit is dedicated to the input voltage power not good function (PNG). Once the OTF bit (or OLF-A, OLF-B or PNG) has been activated (set to "1"), it is latched to "1" until the relevant cause is removed and a new register reading operation is performed.

2.7 Surge protection and TVS diodes

Each LNBH26LS device section is directly connected to the antenna cable in a set-top box. Atmospheric phenomenon can cause high voltage discharges on the antenna cable causing damage to the attached devices. Surge pulses occur due to direct or indirect lightning strikes to an external (outdoor) circuit. This leads to currents or electromagnetic fields causing high voltage or current transients. Transient voltage suppressor (TVS) devices are usually placed, as shown in the following schematic, to protect each section of STB output circuits where the LNBH26LS and other devices are electrically connected to the antenna cable.

Figure 4: Surge protection circuit



For this purpose the use of LNBTVSxx surge protection diodes specifically designed by ST is recommended. The selection of the LNBTVS diode should be made based on the maximum peak power dissipation that the diode is capable of supporting (see the LNBTVS datasheet for further details).

2.8 Power-on I²C interface reset and undervoltage lockout

The I²C interface built into the LNBH26LS is automatically reset at power-on. As long as the VCC stays below the undervoltage lockout (UVLO) threshold (4.7 V typ.), the interface does not respond to any I²C command and all data register bits are initialized to zero, therefore keeping the power blocks disabled. Once the VCC rises above 4.8 V typ., the I²C interface becomes operative and the DATA registers can be configured by the main microprocessor.

2.9 PNG: input voltage minimum detection

When the input voltage (VCC pin) is lower than LPD (low power diagnostic) minimum thresholds, the PNG I²C bit is set to "1". Refer to the [Table 14: "I²C electrical characteristics"](#) for threshold details.

2.10 COMP: boost capacitors and inductor

The DC-DC converter compensation loop can be optimized in order to properly work with both ceramic and electrolytic capacitors (VUP pin). For this purpose, one I²C bit in the DATA 4 register (see COMP not found) can be set to "1" or "0" as follows:

COMP = 0 for electrolytic capacitors

COMP = 1 for ceramic capacitors

For recommended DC-DC capacitor and inductor values refer to [Section 5: "Typical application circuits"](#) and to the BOM in [Table 5: "LNBH26LS DiSEqC 1.x bill of material"](#).

2.11 OLF: overcurrent and short-circuit protection and diagnostic

In order to reduce the total power dissipation during an overload or a short-circuit condition, each section of the device is provided with a dynamic short-circuit protection. The short-circuit current protection can be set either statically (simple current clamp) or dynamically through the corresponding PCL bit of the I²C DATA3 register. When the PCL (pulsed current limiting) bit is set to low, the overcurrent protection circuit works dynamically: as soon as an overload is detected, the output current is provided for T_{ON} time 90 ms and after that, the output is set as shutdown for a T_{OFF} time of typically 900 ms. Simultaneously, the corresponding diagnostic OLF I²C bit of the STATUS1 register is set to "1". After this time has elapsed, the involved output is resumed for a time T_{ON}. At the end of T_{ON}, if the overload is still detected, the protection circuit cycles again through T_{OFF} and T_{ON}. At the end of a full T_{ON} in which no overload is detected, normal operation is resumed and the OLF diagnostic bit is reset to low after the register reading. Typical T_{ON}+ T_{OFF} time is 990 ms and is determined by an internal timer. This dynamic operation can greatly reduce the power dissipation in short-circuit condition, ensuring an excellent power-on startup in most conditions. However, there may be some cases in which a highly capacitive load on the output can cause a difficult startup when the dynamic protection is chosen. This can be solved by initiating any power startup in static mode (PCL =1) and, then, switching to the dynamic mode (PCL = 0) after a chosen amount of time depending on the output capacitance. Also in static mode, the diagnostic OLF bit goes to "1" when the current clamp limit is reached and returns low when the overload condition is cleared and register reading is performed.

After the overload condition is removed, normal operation can be resumed in two ways, according to the OLR I²C bit on the DATA4 register.

If OLR=1, all VSEL bits, corresponding to the involved section, are reset to "0" and the LNB section output (VOUT pin) is disabled. To re-enable the output stage, the VSEL bits must be set again by the microprocessor and the OLF bit is reset to "0" after a register reading operation.

If OLR=0, the involved output is automatically re-enabled as soon as the overload condition is removed, and the OLF bit is reset to "0" after a register reading operation.

2.12 OTF: thermal protection and diagnostic

The LNBH26LS is also protected against overheating: when the junction temperature exceeds 150 °C (typ.), the step-up converter and both linear regulators are shut off, the diagnostic OTF bit in the STATUS1 register is set to "1". After the overtemperature condition is removed, normal operation can be resumed in two ways, according to the THERM I²C bit on the DATA4 register.

If THERM=1, all VSEL bits are reset to "0" and both LNB outputs (VOUT pins) are disabled. To re-enable the output stages, the VSEL bits must be set again by the microprocessor, while the OTF bit is reset to "0" after a register reading operation.

If THERM=0, outputs are automatically re-enabled as soon as the overtemperature condition is removed, while the OTF bit is reset to "0" after a register reading operation.

3 Pin configuration

Figure 5: Pin connections (top view)

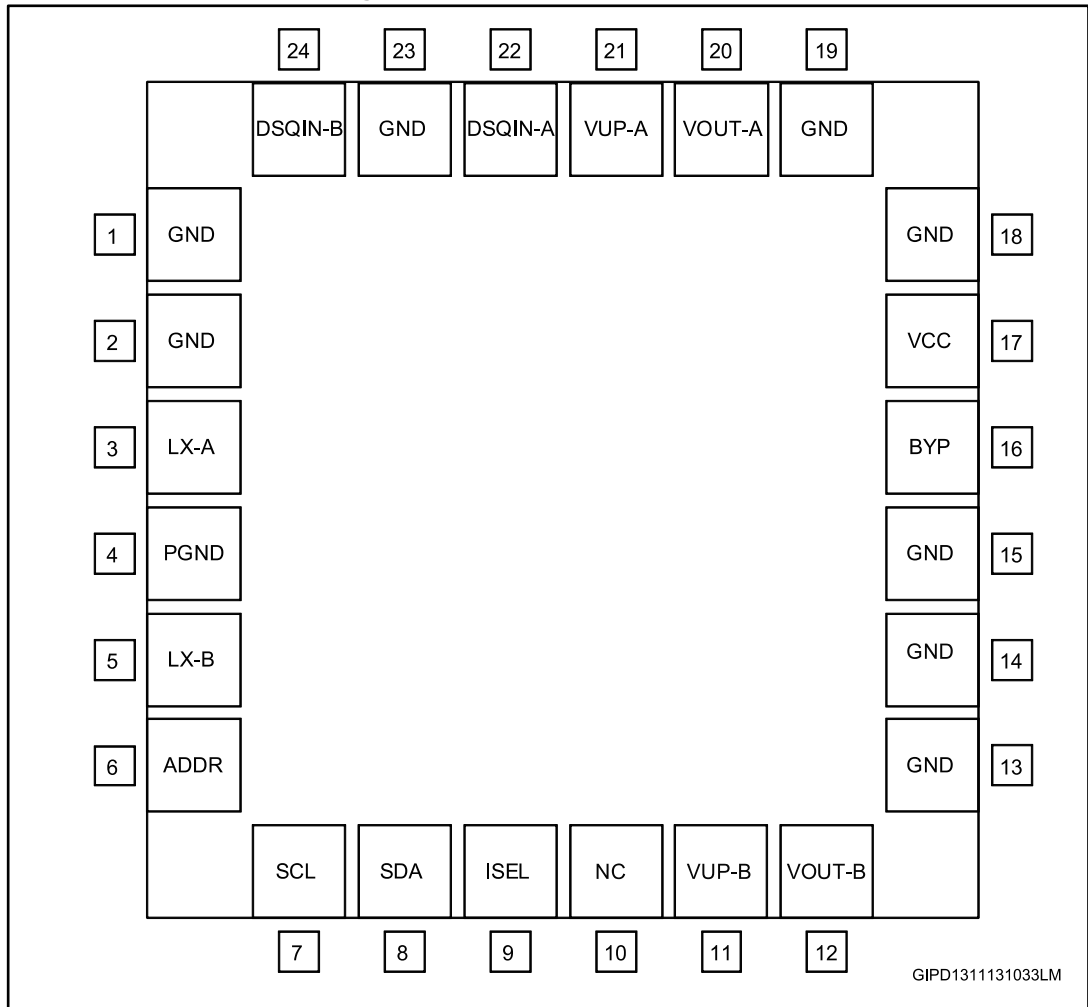


Table 2: Pin description

Pin n°	Symbol	Name	Pin function
3	LX-A	NMOS drain	Channel A, integrated N-channel power MOSFET drain.
4	P-GND	Power ground	DC-DC converter power ground. To be connected directly to the exposed pad.
5	LX-B	NMOS drain	Channel B, integrated N-channel power MOSFET drain.
6	ADDR	Address setting	Two I ² C bus addresses available by setting the ADDRESS pin level voltage. See Table 15: "Address pin characteristics" .
7	SCL	Serial clock	Clock from I ² C bus.
8	SDA	Serial data	Bi-directional data from/to I ² C bus.
9	ISEL	Current selection for channel A and B	The resistor "RSEL" connected between ISEL and GND defines the linear regulator current limit threshold. Refer to Section 2: "Application information (valid for each section A/B)" . The RSEL resistor defines the same current limit for both channels (A and B).
1, 2, 13, 14, 15, 18, 19, 23	GND	Analog ground	Analog circuit ground. To be connected directly to the exposed pad.
10	NC	Not internally connected	Not internally connected pin. Set floating if not used.
11	VUP-B	Channel B step-up voltage	Input of channel B linear post-regulator. The voltage on this pin is monitored by the internal channel B step-up controller to keep a minimum dropout across the linear pass transistor.
12	VOU-B	Channel B, LNB output port	Output of channel B integrated very low drop linear regulator. Refer to Table 13: "Output voltage selection table (data1 register, write mode)" for voltage selection and description.
16	BYP	Bypass capacitor	Needed for internal pre-regulator filtering. The BYP pin is intended only to connect an external ceramic capacitor. Any connection of this pin to an external current or voltage sources may cause permanent damage to the device.
17	VCC	Supply input	8 to 16 V IC DC-DC power supply.
20	VOU-A	Channel A, LNB output port	Output of channel A integrated very low drop linear regulator. Refer to Table 13: "Output voltage selection table (data1 register, write mode)" for voltage selection and description.
21	VUP-A	Channel A step-up voltage	Input of channel A linear post-regulator. The voltage on this pin is monitored by the internal channel A step-up controller to keep a minimum dropout across the linear pass transistor.

Pin n°	Symbol	Name	Pin function
22	DSQIN-A	DSQIN for DiSEqC envelope input or external 22 KHz TTL input	<p>It is intended for channel A 22 kHz tone control. It can be used as DiSEqC envelope input or external 22 kHz TTL input depending on the EXTM-A I²C bit setting as follows:</p> <p>If EXTM-A=0, TEN-A=1: it accepts the DiSEqC envelope code from the main microcontroller. The LNBH26LS uses this code to modulate the internally generated 22 kHz carrier.</p> <p>If EXTM-A=TEN-A=1: it accepts external 22 kHz logic signals which activate the 22 kHz tone output, refer to Section 2.2: "Data encoding by external 22 kHz tone TTL signal".</p> <p>Pull up high if the tone output is activated only by the TEN-A I²C bit.</p>
24	DSQIN-B	DSQIN for DiSEqC envelope input or external 22 KHz TTL input	<p>It is intended for channel B 22 kHz tone control. It can be used as DiSEqC envelope input or external 22 kHz TTL input depending on the EXTM-B I²C bit setting as follows:</p> <p>If EXTM-B=0, TEN-B=1: it accepts the DiSEqC envelope code from the main microcontroller. The LNBH26LS uses this code to modulate the internally generated 22 kHz carrier.</p> <p>If EXTM-A=TEN-A=1: it accepts external 22 kHz logic signals which activate the 22 kHz tone output, refer to Section 2.2: "Data encoding by external 22 kHz tone TTL signal".</p> <p>Pull up high if the tone output is activated by TEN-B I²C bit only.</p>
Epad	Epad	Exposed pad	To be connected with power grounds and to the ground layer through vias to dissipate the heat.

4 Maximum ratings

Table 3: Absolute maximum ratings

Symbol	Parameter	Value	Unit
V_{CC}	DC power supply input voltage pins	-0.3 to 20	V
V_{UP}	DC input voltage	-0.3 to 40	V
I_{OUT}	Output current	Internally limited	mA
V_{OUT}	DC output pin voltage	-0.3 to 40	V
V_I	Logic input pin voltage (SDA, SCL, DSQIN, ADDR pins)	-0.3 to 7	V
LX	LX input voltage	-0.3 to 30	V
V_{BYP}	Internal reference pin voltage	-0.3 to 4.6	V
ISEL	Current selection pin voltage	-0.3 to 3.5	V
T_{STG}	Storage temperature range	-50 to 150	°C
T_J	Operating junction temperature range	-25 to 125	°C
ESD	ESD rating with human body model (HBM) all pins, unless power output pins	2	kV
	ESD rating with human body model (HBM) for power output pins	4	

Table 4: Thermal data

Symbol	Parameter	Value	Unit
R_{thJC}	Thermal resistance junction-case	2	°C/W
R_{thJA}	Thermal resistance junction-ambient with device soldered on 2s2p 4-layer PCB provided with thermal vias below the exposed pad	40	°C/W



Absolute maximum ratings are those values beyond which damage to the device may occur. These are stress ratings only and functional operation of the device at these conditions is not implied. Exposure to absolute-maximum-rated conditions for extended periods may affect device reliability. All voltage values are with respect to the network ground terminal.

5 Typical application circuits

Figure 6: LNBH26LS DiSEqC 1.X typical application circuit

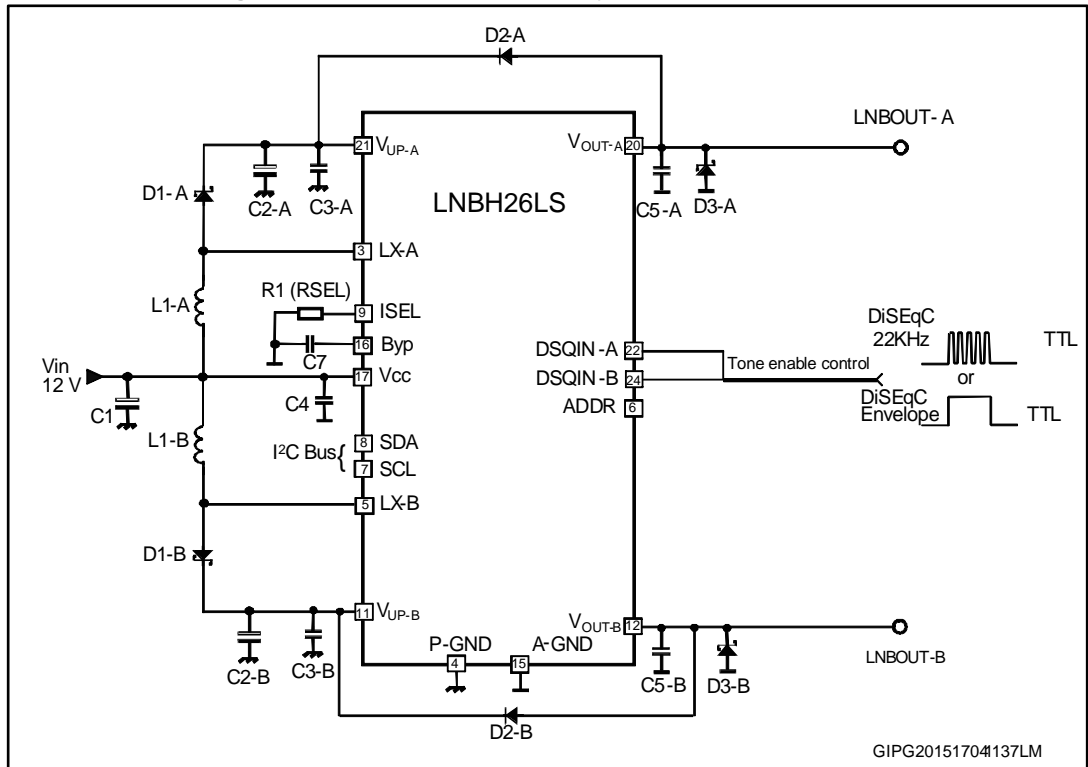


Table 5: LNBH26LS DiSEqC 1.x bill of material

Component	Notes
R1 (RSEL)	SMD resistor. Refer to Table 12: "Electrical characteristics of section A/B" and ISEL pin description in Table 2: "Pin description" .
C1	> 25 V electrolytic capacitor, 100 μ F or higher is suitable or > 25 V ceramic capacitor, 10 μ F or higher is suitable.
C2	With COMP = 0, > 25 V electrolytic capacitor, 100 μ F or higher is suitable or with COMP = 1, > 35 V ceramic capacitor, 22 μ F (or 2 x 10 μ F) or higher is suitable.
C3	From 470 nF to 2.2 μ F ceramic capacitor placed as closer as possible to VUP pins. Higher values allow lower DC-DC noise.
C5	From 100 nF to 220 nF ceramic capacitor placed as closer as possible to VOUT pins. Higher values allow lower DC-DC noise.
C4, C7	220 nF ceramic capacitors. To be placed as closer as possible to VOUT pin.
D1	STPS130A or similar Schottky diode.
D2	1N4001-07, S1A-S1M, or any similar general purpose rectifier.
D3	BAT54, BAT43, 1N5818, or any low power Schottky diode with I_F (AV) > 0.2 A, V_{RRM} > 25 V, V_F < 0.5 V. To be placed as closer as possible to VOUT pin.
L1	With COMP=0, use 10 μ H inductor with $I_{SAT} > I_{PEAK}$ where I_{PEAK} is the boost converter peak current, or with COMP=1 and C2 = 22 μ F, use 6.8 μ H inductor with $I_{SAT} > I_{PEAK}$ where I_{PEAK} is the boost converter peak current.

6 I²C bus interface

Data transmission from the main microprocessor to the LNBH26LS, and vice versa, takes place through the 2-wire I²C bus interface, consisting of the 2-line SDA and SCL (pull-up resistors to positive supply voltage must be externally connected).

6.1 Data validity

As shown in [Figure 7: "Data validity on the I²C bus"](#), the data on the SDA line must be stable during the high semi-period of the clock. The high and low state of the data line can only change when the clock signal on the SCL line is low.

6.2 Start and stop condition

As shown in [Figure 8: "Timing diagram of I²C bus"](#), a start condition is a transition from high to low of the SDA line while SCL is high. The stop condition is a transition from low to high of the SDA line while SCL is high. A stop condition must be sent before than each start condition.

6.3 Byte format

Every byte transferred to the SDA line must contain 8 bits. Each byte must be followed by an acknowledge bit. The MSB is the first to be transferred.

6.4 Acknowledge

The master (microprocessor) puts a resistive high level on the SDA line during the acknowledge clock pulse, see [Figure 9: "Acknowledge on the I²C bus"](#). The peripheral (LNBH26LS), which acknowledges, must pull down (low) the SDA line during the acknowledge clock pulse, so that the SDA line is stable low during this clock pulse. The peripheral, which has been addressed, must generate acknowledge after the reception of each byte, otherwise the SDA line remains at the high level during the ninth clock pulse time. In this case, the master transmitter can generate the STOP information in order to abort the transfer. The LNBH26LS doesn't generate acknowledge if the V_{CC} supply is below the undervoltage lockout threshold (4.7 V typ.).

6.5 Transmission without acknowledge

If the detection of LNBH26LS acknowledge is not necessary, the microprocessor can use a simpler transmission; it simply waits for one clock without checking the slave acknowledging, and sends the new data. This approach has less protection in case of misworking and decreases noise immunity.

Figure 7: Data validity on the I²C bus

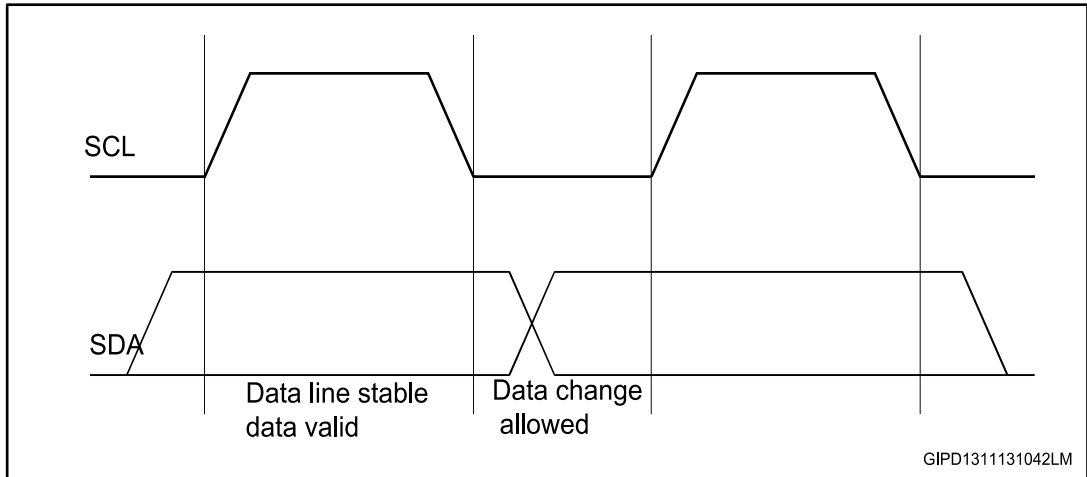


Figure 8: Timing diagram of I²C bus

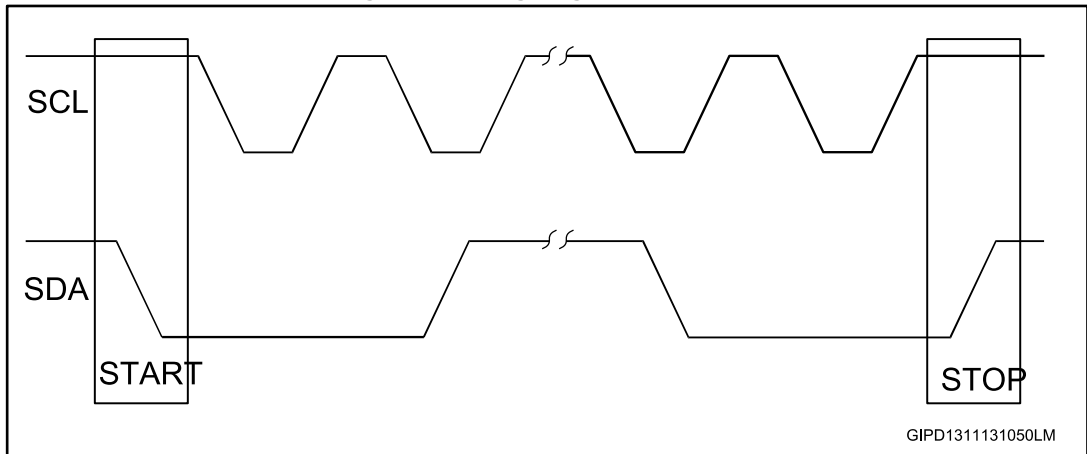
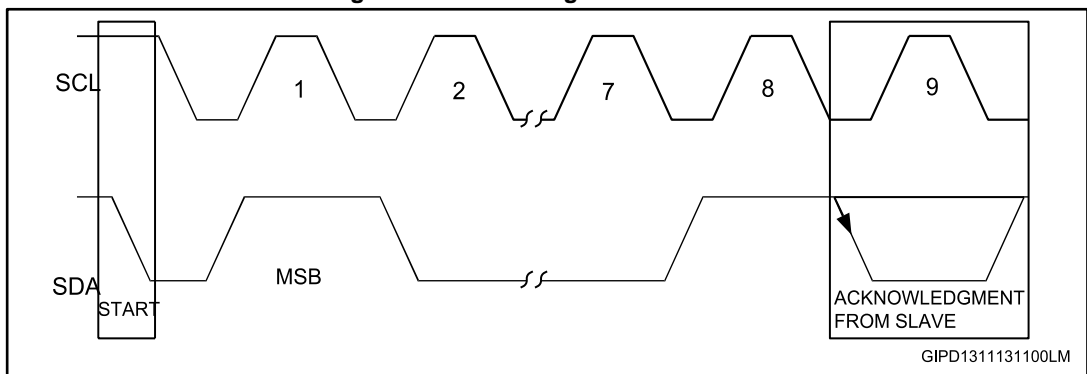


Figure 9: Acknowledge on the I²C bus



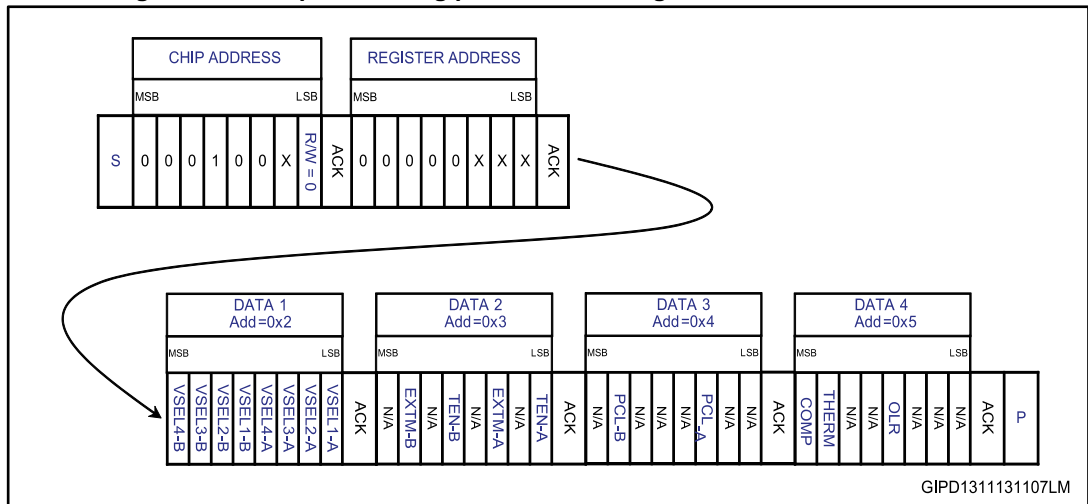
7 I²C interface protocol

7.1 Write mode transmission

The LNBH26LS interface protocol is made up of:

- A start condition (S)
- A chip address byte with the LSB bit R/W = 0
- A register address (internal address of the first register to be accessed)
- A sequence of data (byte to write to the addressed internal register + acknowledge)
- The following bytes, if any, to be written to successive internal x
- A stop condition (P), the transfer lasts until a stop bit is encountered
- The LNBH26LS, as slave, acknowledges every byte transfer

Figure 10: Example of writing procedure starting with first data address 0x2



ACK = acknowledge

S = start

P = stop

R/W = 1/0, read/write bit

X = 0/1, set the values to select the chip address, see [Table 13: "Output voltage selection table \(data1 register, write mode\)"](#) for pin selection and to select the register address, see [Table 6: "DATA 1 \(read/write register. Register address = 0X2\)"](#) and [Table 10: "STATUS 1 \(read register. Register address = 0X0\)"](#).



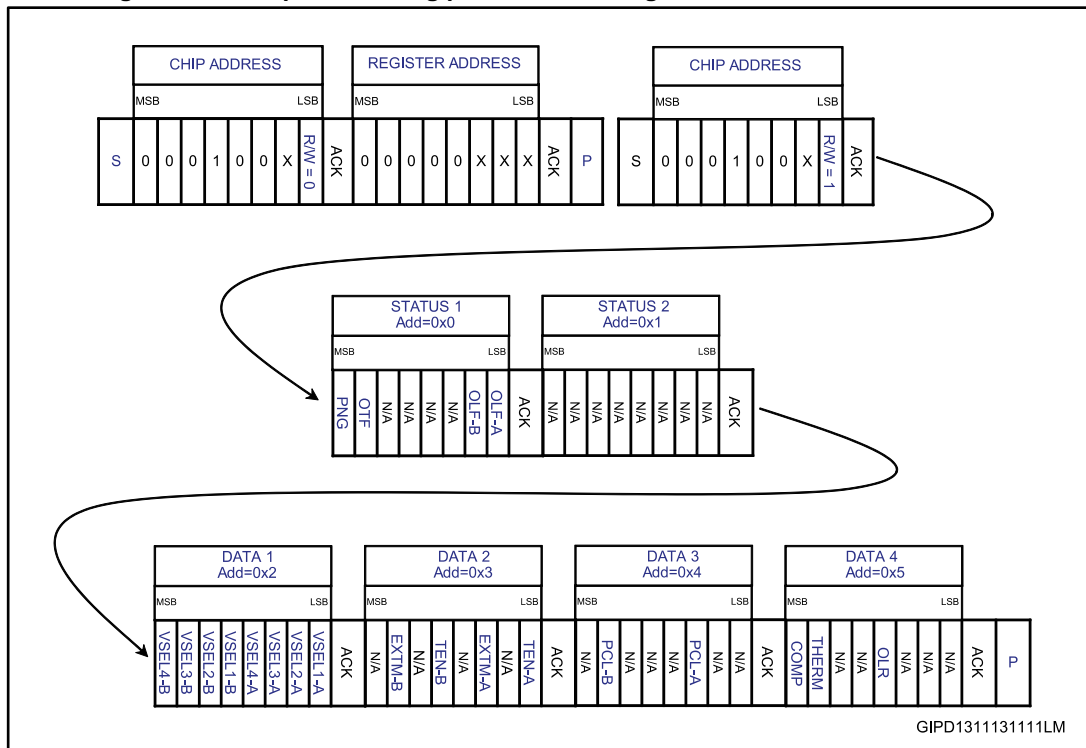
The writing procedure can start from any register address by simply setting the X values in the register address byte (after the chip address). It can be also stopped by the master by sending a stop condition after any acknowledge bit.

7.2 Read mode transmission

In read mode the byte sequence must be as follows:

- A start condition (S)
- A chip address byte with the LSB bit R/W=0
- The register address byte of the internal first register to be accessed
- A stop condition (P)
- A new master transmission with the chip address byte and the LSB bit R/W=1
- After the acknowledge, the LNBH26LS starts sending the addressed register content. As long as the master keeps the acknowledge low, the LNBH26LS transmits the next address register byte content
- The transmission is terminated when the master sets the acknowledge high with a following stop bit

Figure 11: Example of reading procedure starting with first status address 0X0



ACK = acknowledge

S = start

P = stop

R/W = 1/0, read/write bit

X = 0/1, set the values to select the chip address, see [Table 15: "Address pin characteristics"](#) for pin selection and to select the register address, see [Table 6: "DATA 1 \(read/write register. Register address = 0X2\)"](#).



The reading procedure can start from any register address (STATUS 1, 2 or DATA 1..4) by simply setting the X values in the register address byte (after the first chip address in the above figure). It can be also stopped by the master by sending a stop condition after any acknowledge bit.

7.3 Data registers

The DATA 1..4 registers can be addressed both to write and read mode. In read mode they return the last writing byte status received in the previous write transmission.

The following tables provide the register address values of DATA 1..4 and a function description of each bit.

Table 6: DATA 1 (read/write register. Register address = 0X2)

Bit	Name	CH	Value	Description
Bit 0 (LSb)	VSEL1-A	A	0/1	Channel A output voltage selection bits refer to Table 13: "Output voltage selection table (data1 register, write mode)"
Bit 1	VSEL2-A		0/1	
Bit 2	VSEL3-A		0/1	
Bit 3	VSEL4-A		0/1	
Bit 4	VSEL1-B	B	0/1	Channel B output voltage selection bits refer to Table 13: "Output voltage selection table (data1 register, write mode)"
Bit 5	VSEL2-B		0/1	
Bit 6	VSEL3-B		0/1	
Bit 7 (MSb)	VSEL4-B		0/1	

N/A = reserved bit.

All bits reset to "0" at power-on.

Table 7: DATA 2 (read/write register. Register address = 0X3)

Bit	Name	CH	Value	Description	
Bit 0 (LSb)	TEN A	A	1	22 kHz tone enabled. Tone output controlled by the DSQIN pin	
			0	22 kHz tone output disabled	
Bit 1	N/A		0	Reserved. Keep to "0"	
Bit 2	EXTM-A		1	DSQIN input pin is set to receive external 22 kHz TTL signal source	
			0	DSQIN input pin is set to receive external DiSEqC envelope TTL signal	
Bit 3	N/A		0	Reserved. Keep to "0"	
Bit 4	TEN-B		B	1	22 kHz tone enabled. Tone output controlled by the DSQIN pin
				0	22 kHz tone output disabled
Bit 5	N/A	0		Reserved. Keep to "0"	
Bit 6	EXTM-B	1		DSQIN input pin is set to receive external 22 kHz TTL signal source	
		0		DSQIN input pin is set to receive external DiSEqC envelope TTL signal	
Bit 7 (MSb)	N/A	0		Reserved. Keep to "0"	

N/A = reserved bit.

All bits reset to "0" at power-on.

Table 8: DATA 3 (read/write register. Register address = 0X4)

Bit	Name	CH	Value	Description
Bit 0 (LSb)	N/A	A	0	Reserved. Keep to "0"
Bit 1	N/A		0	Reserved. Keep to "0"
Bit 2	PCL-A		1	Pulsed (dynamic) LNB output current limiting is deactivated
			0	Pulsed (dynamic) LNB output current limiting is active
Bit 3	N/A		0	Reserved. Keep to "0"
Bit 4	N/A		0	Reserved. Keep to "0"
Bit 5	N/A		0	Reserved. Keep to "0"
Bit 6	PCL-B	B	1	Pulsed (dynamic) LNB output current limiting is deactivated
			0	Pulsed (dynamic) LNB output current limiting is deactivated
Bit 7 (MSb)	N/A		0	Reserved. Keep to "0"

N/A = reserved bit.

All bits reset to "0" at power-on.

Table 9: DATA 4 (read/write register. Register address = 0X5)

Bit	Name	CH	Value	Description
Bit 0 (LSb)	N/A	-	0	Reserved. Keep to 0
Bit 1	N/A	-	0	Reserved. Keep to 0
Bit 2	N/A	-	0	Reserved. Keep to 0
Bit 3	OLR	A/B	1	In case of overload protection activation (OLF=1), all VSEL 1..4 bits are reset to "0" and LNB output (VOUT pin) is disabled. The VSEL bits must be set again by the master after the overcurrent condition is removed (OLF=0)
			0	In case of overload protection activation (OLF=1) the LNB output (VOUT pin) is automatically enabled as soon as the overload condition is removed (OLF=0) with the previous VSEL bit setting
Bit 4	N/A	-	0	Reserved. Keep to 0
Bit 5	N/A	-	0	Reserved. Keep to 0
Bit 6	THERM	A/B	1	If thermal protection is active (OTF=1), all VSEL 1..4 bits are reset to "0" and LNB output (VOUT pin) is disabled. The VSEL bits must be set again by the master after the overtemperature condition is removed (OTF=0)
			0	In case of thermal protection activation (OTF=1) the LNB output (VOUT pin) is automatically enabled as soon as the overtemperature condition is removed (OTF=0) with the previous VSEL bit setting
Bit 7 (MSB)	COMP	-	1	DC-DC converter compensation: set to use very low E.S.R. capacitors or ceramic caps on VUP pin
		-	0	DC-DC converter compensation: set to use standard electrolytic capacitors on VUP pin

7.4 Status registers

The STATUS 1, 2 registers can only be addressed to read mode and provide the diagnostic functions described in the following tables.

Table 10: STATUS 1 (read register. Register address = 0X0)

Bit	Name	CH	Value	Description
Bit 0 (LSb)	OLF-A	A	1	VOUT pin overload protection has been triggered ($I_{OUT} > I_{LIM}$). Refer to Table 8: "DATA 3 (read/write register. Register address = 0X4)" for the overload operation and PCL settings
			0	No overload protection has been triggered to the VOUT pin ($I_{OUT} < I_{LIM}$)
Bit 1	OLF-B	B	1	VOUT pin overload protection has been triggered ($I_{OUT} > I_{LIM}$). Refer to Table 8: "DATA 3 (read/write register. Register address = 0X4)" for the overload operation and PCL settings
			0	No overload protection has been triggered to VOUT pin ($I_{OUT} < I_{LIM}$)

Bit	Name	CH	Value	Description
Bit 2	N/A	-	-	Reserved
Bit 3	N/A	-	-	Reserved
Bit 4	N/A	-	-	Reserved
Bit 5	N/A	-	-	Reserved
Bit 6	OTF	A/B	1	Junction overtemperature is detected, $T_J > 150$ °C (typ.). See also THERM bit setting in Table 9: "DATA 4 (read/write register. Register address = 0X5)" .
			0	Junction overtemperature not detected, $T_J < 135$ °C (typ.). T_J is below thermal protection threshold
Bit 7 (MSb)	PNG	A/B	1	Input voltage (VCC pin) lower than LPD minimum thresholds. Refer to Table 12: "Electrical characteristics of section A/B"
			0	Input voltage (VCC pin) higher than LPD thresholds. Refer to Table 12: "Electrical characteristics of section A/B"

N/A = reserved bit.

All bits reset to "0" at power-on.

Table 11: STATUS 2 (read register. Register address = 0X1)

Bit	Name	CH	Value	Description
Bit 0 (LSb)	N/A	-	-	Reserved
Bit 1	N/A	-	-	Reserved
Bit 2	N/A	-	-	Reserved
Bit 3	N/A	-	-	Reserved
Bit 4	N/A	-	-	Reserved
Bit 5	N/A	-	-	Reserved
Bit 6	N/A	-	-	Reserved
Bit 7 (MSb)	N/A	-	-	Reserved

N/A = reserved bit.

All bits reset to "0" at power-on.

8 Electrical characteristics

Refer to [Section 5: "Typical application circuits"](#), T_J from 0 to 85 °C, all DATA 1..4 register bits set to 0 unless VSEL1 = 1, RSEL = 11 k Ω , DSQIN = low, V_{IN} = 12 V, I_{OUT} = 50 mA, unless otherwise stated. Typical values are referred to T_J = 25 °C. V_{OUT} = V_{OUT} pin voltage. See software description section for [Section 6: "I²C bus interface"](#) and [Section 7: "I²C interface protocol"](#).

Table 12: Electrical characteristics of section A/B

Symbol	Parameter	Test conditions	Min.	Typ.	Max.	Unit
V_{IN}	Supply voltage ⁽¹⁾		8	12	16	V
I_{IN}	Supply current	Both sections A and B enabled, I_{OUT} = 0 mA		12		mA
		22 kHz tone enabled (TEN-A/B = 1, DSQIN-A/B = high), I_{OUT} = 0 mA		19		
		Both sections A and B set in standby: VSEL1=VSEL2= VSEL3= VSEL4=0		2		
V_{OUT}	Output voltage total accuracy	Valid at any V_{OUT} selected level	-3.5		+3.5	%
V_{OUT}	Line regulation	V_{IN} = 8 to 16 V			40	mV
V_{OUT}	Load regulation	I_{OUT} from 50 to 500 mA		75	100	
I_{LIM}	Output current limiting thresholds	RSEL = 15 k Ω	500		750	mA
		RSEL = 20 k Ω	350		550	
I_{SC}	Output short-circuit current	RSEL = 15 k Ω		350		mA
SS	Soft-start time	V_{OUT} from 0 to 13 V		4		ms
SS	Soft-start time	V_{OUT} from 0 to 18 V		6		ms
T13-18	Soft transition rise time	V_{OUT} from 13 to 18 V		1.5		ms
T18-13	Soft transition fall time	V_{OUT} from 18 to 13 V		1.5		ms
T_{OFF}	Dynamic overload protection OFF time	PCL = 0, output shorted		900		ms
T_{ON}	Dynamic overload protection ON time	PCL = 0, output shorted		$T_{OFF}/10$		
A_{TONE}	Tone amplitude	DSQIN = high, EXTM=0, TEN=1 I_{OUT} from 0 to 500 mA C_{BUS} from 0 to 750 nF	0.55	0.675	0.8	V_{PP}

Symbol	Parameter	Test conditions	Min.	Typ.	Max.	Unit
F _{TONE}	Tone frequency	DSQIN = high, EXTM=0, TEN=1	20	22	24	kHz
D _{TONE}	Tone duty cycle		43	50	57	%
tr, tf	Tone rise or fall time ⁽²⁾		5	8	15	µs
Eff _{DC/DC}	DC-DC converter efficiency	I _{OUT} = 500 mA		93		%
F _{SW}	DC-DC converter switching frequency			440		kHz
UVLO	Undervoltage lockout thresholds	UVLO threshold rising		4.8		V
		UVLO threshold falling		4.7		
V _{LP}	Low power diagnostic (LPD) thresholds	V _{LP} threshold rising		7.2		V
		V _{LP} threshold falling		6.7		
V _{IL}	DSQIN, pin logic low				0.8	V
V _{IH}	DSQIN, pin logic high		2			V
I _{IH}	DSQIN, pin input current	V _{IH} = 5 V		15		µA
I _{OBK}	Output backward current	All VSELx = 0, V _{OBK} = 30 V		-3	-6	mA
I _{SINK}	Output low-side sink current	V _{OUT} forced at V _{OUT_nom} + 0.1 V		70		mA
I _{SINK_TIME-OUT}	Low-side sink current time-out	V _{OUT} forced at V _{OUT_nom} + 0.1 V		10		ms
I _{REV}	Max. reverse current	V _{OUT} forced at V _{OUT_nom} + 0.1 V, after I _{SINK_TIME-OUT} is elapsed		2		mA
T _{SHDN}	Thermal shutdown threshold			150		°C
DT _{SHDN}	Thermal shutdown hysteresis				15	

Notes:

⁽¹⁾In applications where $(V_{CC} - V_{OUT}) > 1.3$ V, the increased power dissipation, inside the integrated LDO, must be taken into account in the application thermal management design.

⁽²⁾Guaranteed by design.

8.1 Output voltage selection

Each LNBH26LS channel is provided with 8 output voltage levels, (4 levels for 13 V range when VSEL4-A/B=0 and 4 levels for 18 V range when VSEL4-A/B=1) which can be selected through the register data1. The following table shows the output voltage values corresponding to VSELx bit combinations both for channel A and B. If all VSELx are at "0" the device is set in standby mode and the V_{OUT} -A/B are disabled.

Table 13: Output voltage selection table (data1 register, write mode)

VSEL 4-A/B	VSEL 3-A/B	VSEL 2-A/B	VSEL 1-A/B	V _{OUT} min.	V _{OUT} -A/B pin voltage	V _{OUT} max.	Function
0	0	0	0		0		V _{OUT} -A/B disabled. The LNBH26LS is set in standby mode
0	0	0	1	12.545	13.000	13.455	
0	0	1	0	12.867	13.333	13.800	
0	0	1	1	13.188	13.667	14.145	
0	1	0	0	13.51	14.000	14.490	
1	0	0	0	17.515	18.150	18.785	
1	0	0	1	17.836	18.483	19.130	
1	0	1	0	18.158	18.817	19.475	
1	0	1	1	18.48	19.150	19.820	

T_J from 0 to 85 °C, V_I = 12 V.

Table 14: I²C electrical characteristics

Symbol	Parameter	Test conditions	Min.	Typ.	Max.	Unit
V _{IL}	Low level input voltage	SDA, SCL			0.8	V
V _{IH}	high level input voltage	SDA, SCL	2			V
I _{IN}	Input current	SDA, SCL, V _{IN} = 0.4 to 4.5 V	-10		10	μA
V _{OL}	Low level output voltage ⁽¹⁾	SDA (open drain), I _{OL} = 6 mA			0.6	V
F _{MAX}	Maximum clock frequency	SCL			400	kHz

Notes:

⁽¹⁾Guaranteed by design.

T_J from 0 to 85 °C, $V_I = 12$ V.

Table 15: Address pin characteristics

Symbol	Parameter	Test conditions	Min.	Typ.	Max.	Unit
V_{ADDR-1}	"0001000(R/W)" address pin voltage range	R/W bit determines the transmission mode: read (R/W=1) write (R/W=0)	0		0.8	V
V_{ADDR-2}	"0001001(R/W)" address pin voltage range	R/W bit determines the transmission mode: read (R/W=1) write (R/W=0)	2		5	V

9 Package information

In order to meet environmental requirements, ST offers these devices in different grades of ECOPACK[®] packages, depending on their level of environmental compliance. ECOPACK[®] specifications, grade definitions and product status are available at: www.st.com. ECOPACK[®] is an ST trademark.

9.1 QFN24L (4x4 mm) package information

Figure 12: QFN24L (4x4 mm) package outline

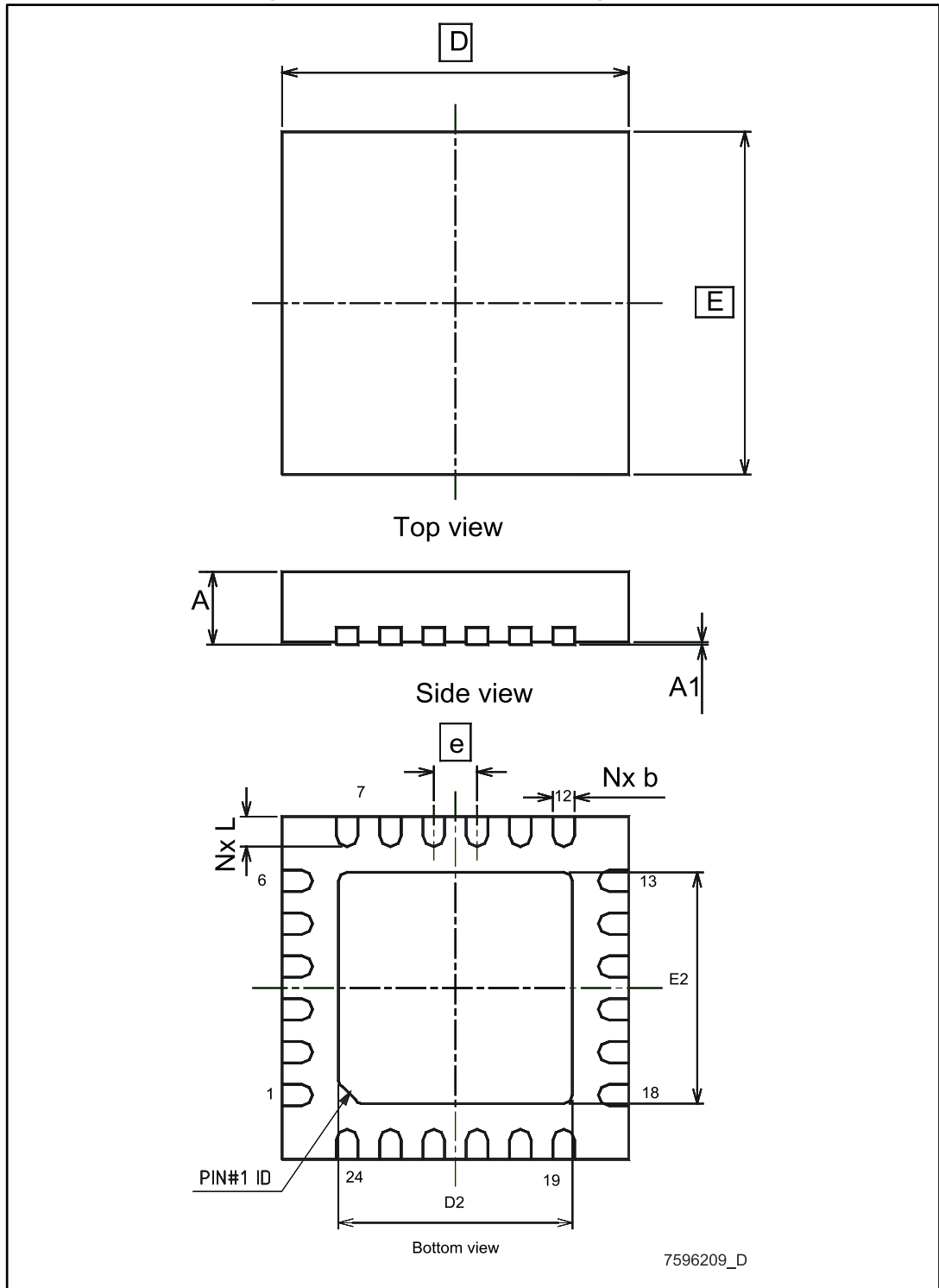
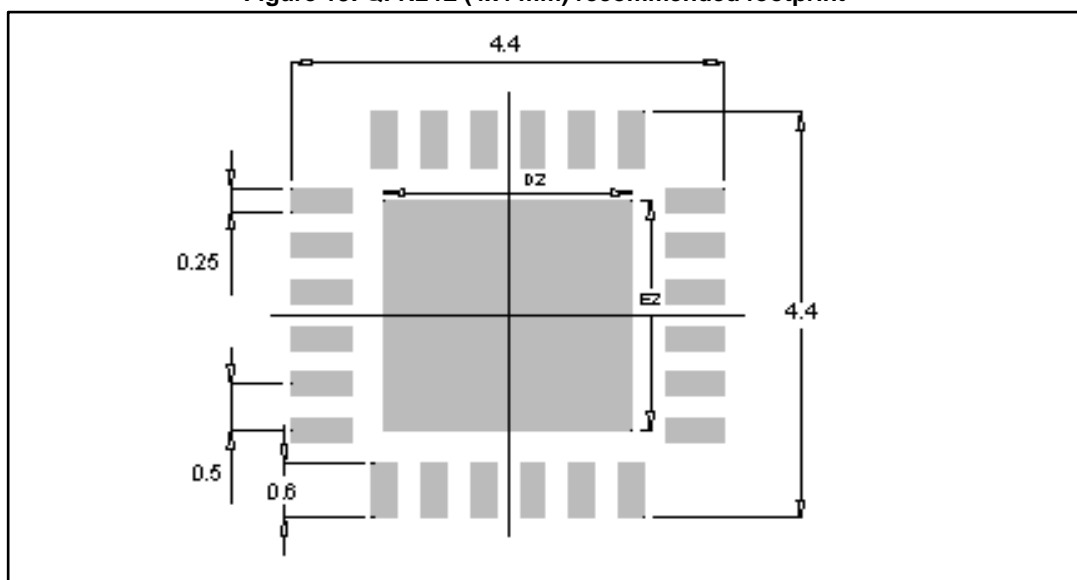


Table 16: QFN24L (4x4 mm) package mechanical data

Dim.	mm		
	Min.	Typ.	Max.
A	0.80	0.90	1.00
A1	0.00	0.02	0.05
b	0.18	0.25	0.30
D	3.90	4.00	4.10
D2	2.55	2.70	2.80
E	3.90	4.00	4.10
E2	2.55	2.70	2.80
e	0.45	0.50	0.55
L	0.25	0.35	0.40

Figure 13: QFN24L (4x4 mm) recommended footprint



9.2 QFN24L (4x4 mm) packing information

Figure 14: QFN24L (4x4 mm) tape outline

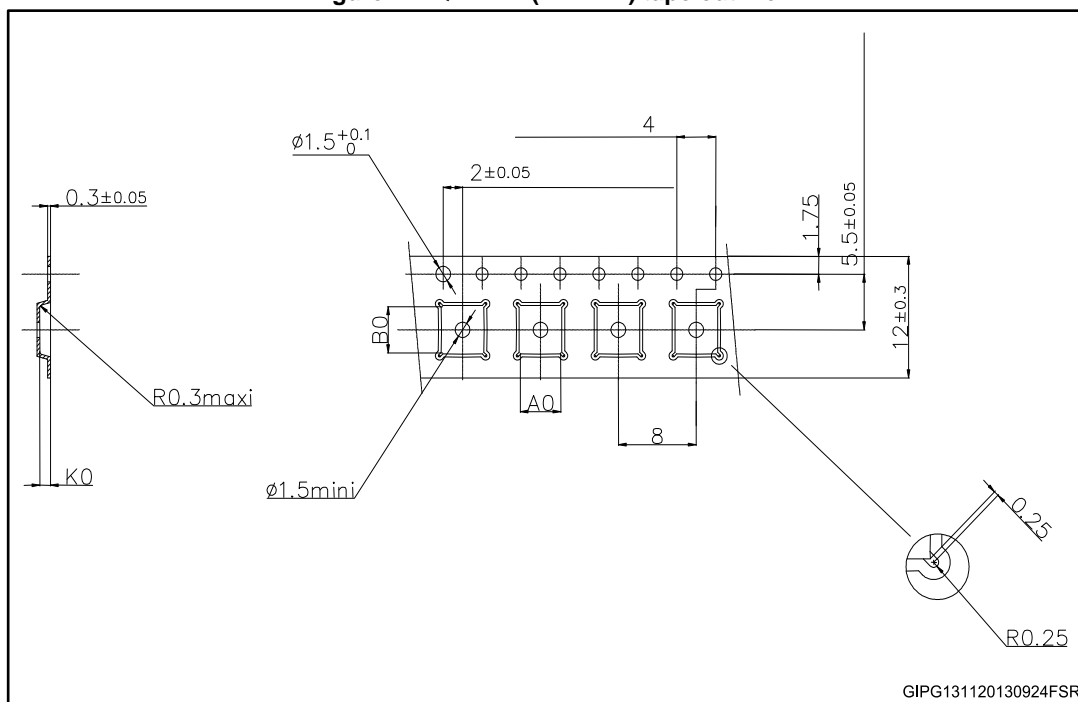


Table 17: QFN24L (4x4 mm) tape mechanical data

Dim.	mm
A0	4.35
B0	4.35
K0	1.1

Figure 15: QFN24L (4x4 mm) reel outline

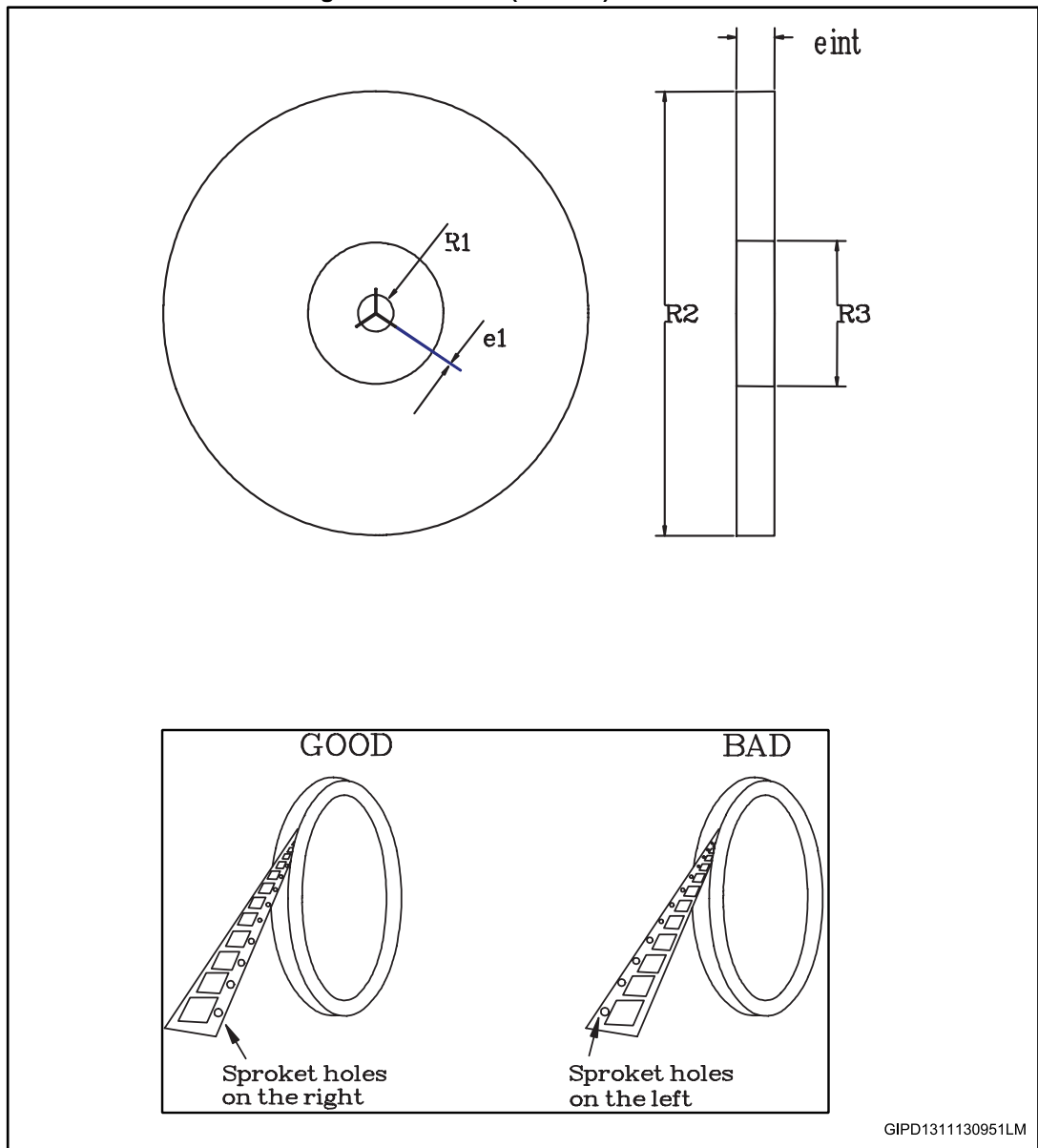


Table 18: QFN24L (4x4 mm) reel mechanical data

Dim.	R1	R2	R3
Reel 13"	13	330	60

10 Revision history

Table 19: Document revision history

Date	Revision	Changes
04-Dec-2013	1	Initial release.
20-Apr-2015	2	Updated section 2.11. Updated package information section. Changed figure 6.

IMPORTANT NOTICE – PLEASE READ CAREFULLY

STMicroelectronics NV and its subsidiaries ("ST") reserve the right to make changes, corrections, enhancements, modifications, and improvements to ST products and/or to this document at any time without notice. Purchasers should obtain the latest relevant information on ST products before placing orders. ST products are sold pursuant to ST's terms and conditions of sale in place at the time of order acknowledgement.

Purchasers are solely responsible for the choice, selection, and use of ST products and ST assumes no liability for application assistance or the design of Purchasers' products.

No license, express or implied, to any intellectual property right is granted by ST herein.

Resale of ST products with provisions different from the information set forth herein shall void any warranty granted by ST for such product.

ST and the ST logo are trademarks of ST. All other product or service names are the property of their respective owners.

Information in this document supersedes and replaces information previously supplied in any prior versions of this document.

© 2015 STMicroelectronics – All rights reserved

Данный компонент на территории Российской Федерации

Вы можете приобрести в компании MosChip.

Для оперативного оформления запроса Вам необходимо перейти по данной ссылке:

<http://moschip.ru/get-element>

Вы можете разместить у нас заказ для любого Вашего проекта, будь то серийное производство или разработка единичного прибора.

В нашем ассортименте представлены ведущие мировые производители активных и пассивных электронных компонентов.

Нашей специализацией является поставка электронной компонентной базы двойного назначения, продукции таких производителей как XILINX, Intel (ex.ALTERA), Vicor, Microchip, Texas Instruments, Analog Devices, Mini-Circuits, Amphenol, Glenair.

Сотрудничество с глобальными дистрибьюторами электронных компонентов, предоставляет возможность заказывать и получать с международных складов практически любой перечень компонентов в оптимальные для Вас сроки.

На всех этапах разработки и производства наши партнеры могут получить квалифицированную поддержку опытных инженеров.

Система менеджмента качества компании отвечает требованиям в соответствии с ГОСТ Р ИСО 9001, ГОСТ РВ 0015-002 и ЭС РД 009

Офис по работе с юридическими лицами:

105318, г.Москва, ул.Щербаковская д.3, офис 1107, 1118, ДЦ «Щербаковский»

Телефон: +7 495 668-12-70 (многоканальный)

Факс: +7 495 668-12-70 (доб.304)

E-mail: info@moschip.ru

Skype отдела продаж:

moschip.ru

moschip.ru_4

moschip.ru_6

moschip.ru_9