

X-SPDT SWITCH GaAs MMIC

GENERAL DESCRIPTION

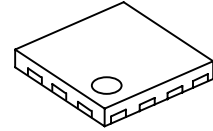
The NJG1662MD7 is a GaAs X (cross) - SPDT switch MMIC, which is designed for switching of balanced dual band filters.

The NJG1662MD7 features very low phase error between on-state paths, low insertion loss, low control voltage and wide frequency coverage. The ESD protection circuit are integrated in the IC to achieve high ESD tolerance.

The ultra-small and ultra-thin EQFN14-D7 package is adopted.

*) X-SPDT is a paired SPDT switch controlled synchronously. The X-SPDT includes two SPDT switches whose RF lines have a crossing inside the chip.

PACKAGE OUTLINE



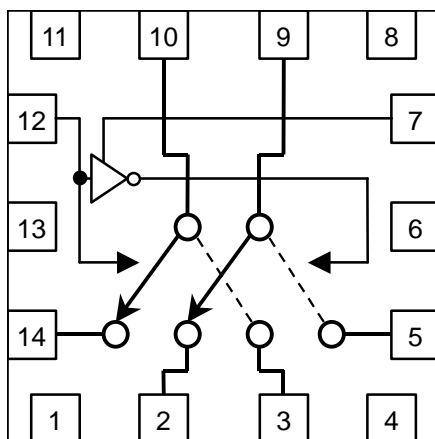
NJG1662MD7

FEATURES

- Low phase error ± 3 deg @f=2.0GHz
- Low operation voltage $V_{DD}=+1.5\sim+4.5V$
- Low control voltage $V_{CTL(H)}=+1.3V$ min.
- Low insertion loss 0.3dB typ. @f=1.0GHz, $P_{IN}=0dBm$
 0.4dB typ. @f=2.0GHz, $P_{IN}=0dBm$
- High isolation 28dB typ. @f=1.0GHz, $P_{IN}=0dBm$
 22dB typ. @f=2.0GHz, $P_{IN}=0dBm$
- Small and thin package EQFN14-D7 (Package size: 1.6x1.6x0.397mm typ., Lead and Halogen-Free)

PIN CONFIGURATION

(Top View)



Pin connection	
1. GND	10. PC1
2. PA2	11. GND
3. PB1	12. VCTL
4. GND	13. GND
5. PB2	14. PA1
6. GND	
7. VDD	
8. GND	
9. PC2	

TRUTH TABLE

“H”= $V_{CTL(H)}$, “L”= $V_{CTL(L)}$

ON PATH	VCTL
PC1-PA1, PC2-PA2	H
PC1-PB1, PC2-PB2	L

NOTE: The Information on this datasheet will be subject to change without notice.

NJG1662MD7

■ ABSOLUTE MAXIMUM RATINGS

($T_a=+25^{\circ}\text{C}$, $Z_s=Z_l=50\Omega$)

PARAMETER	SYMBOL	CONDITIONS	RATINGS	UNITS
RF input power	P_{IN}	$V_{DD}=2.7\text{V}$, $V_{CTL}=0\text{V}/1.8\text{V}$ PC1,PC2,PA1,PA2,PB1,PB2	28	dBm
Supply voltage	V_{DD}	VDD terminal	5.0	V
Control voltage	V_{CTL}	VCTL terminal	5.0	V
Power dissipation	P_D	On PCB	1300	mW
Operating temp.	T_{opr}		-40~+85	$^{\circ}\text{C}$
Storage temp.	T_{stg}		-55~+150	$^{\circ}\text{C}$

■ ELECTRICAL CHARACTERISTICS

(General conditions: $T_a=+25^{\circ}\text{C}$, $Z_s=Z_l=50\Omega$, $V_{DD}=2.7\text{V}$, $V_{CTL(L)}=0\text{V}$, $V_{CTL(H)}=1.8\text{V}$, with application circuit)

PARAMETERS	SYMBOL	CONDITIONS	MIN	TYP	MAX	UNITS
Supply voltage	V_{DD}		1.5	2.7	4.5	V
Operating current	I_{DD}	$P_{IN}=0\text{dBm}$	-	16	30	μA
Control voltage (LOW)	$V_{CTL(L)}$		0	-	0.4	V
Control voltage (HIGH)	$V_{CTL(H)}$		1.3	1.8	V_{DD}	V
Control current	I_{CTL}	$f=2\text{GHz}$, $P_{IN}=0\text{dBm}$	-	5	10	μA
Insertion loss 1	LOSS1	$f=1\text{GHz}$, $P_{IN}=0\text{dBm}$	-	0.3	0.45	dB
Insertion loss 2	LOSS2	$f=2\text{GHz}$, $P_{IN}=0\text{dBm}$	-	0.4	0.55	dB
Isolation 1	ISL1	PC1-PA1, PC2-PA2 PC1-PB1, PC2-PB2 $f=1\text{GHz}$, $P_{IN}=0\text{dBm}$	26	28	-	dB
Isolation 2	ISL2	PC1-PA1, PC2-PA2 PC1-PB1, PC2-PB2 $f=2\text{GHz}$, $P_{IN}=0\text{dBm}$	20	22	-	dB
Isolation 3	ISL3	PC1-PA1, PC2-PA2 PC1-PB1, PC2-PB2 $f=2.5\text{GHz}$, $P_{IN}=0\text{dBm}$	18	20	-	dB
Isolation 4	ISL4	PC1-PC2 port $f=2\text{GHz}$, $P_{IN}=0\text{dBm}$	26	28	-	dB
Phase error	PE	$f=2\text{GHz}$, between on paths	-3	0	3	deg
Input power at 0.2dB compression point	$P_{-0.2\text{dB}}$	$f=2\text{GHz}$	20	24	-	dBm
VSWR	VSWR	$f=2\text{GHz}$, On port	-	1.2	1.3	
Switching time	T_{SW}	50% CTL to 10%/90% RF	-	1.5	5.0	μs

■ TERMINAL INFORMATION

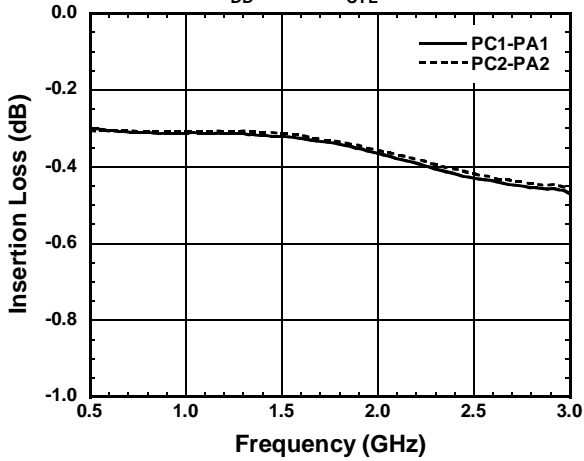
No.	SYMBOL	DESCRIPTION
1	GND	Ground terminal. Please connect this terminal with ground plane as close as possible for good RF performance.
2	PA2	This port is connected to PC2 terminal by applying High-level (1.3~4.5V) at VCTL terminal. An external capacitor is required to block DC voltage of internal circuit.
3	PB1	This port is connected to PC1 terminal by applying Low-level (0~0.4V) at VCTL terminal. An external capacitor is required to block DC voltage of internal circuit.
4	GND	Ground terminal. Please connect this terminal with ground plane as close as possible for good RF performance.
5	PB2	This port is connected to PC2 terminal by applying Low-level (0~0.4V) at VCTL terminal. An external capacitor is required to block DC voltage of internal circuit.
6	GND	Ground terminal. Please connect this terminal with ground plane as close as possible for good RF performance.
7	VDD	A supply voltage terminal (1.5~4.5V). Please place a bypass capacitor between this terminal and GND for avoiding RF noise from outside.
8	GND	Ground terminal. Please connect this terminal with ground plane as close as possible for good RF performance.
9	PC2	Common RF port. This port is connected with either of PA2 or PB2. An external capacitor is required to block DC voltage of internal circuit.
10	PC1	Common RF port. This port is connected with either of PA1 or PB1. An external capacitor is required to block DC voltage of internal circuit.
11	GND	Ground terminal. Please connect this terminal with ground plane as close as possible for good RF performance.
12	VCTL	Control signal input terminal. This terminal is set to high-level (1.3V~4.5V) or low-level (0~0.4V).
13	GND	Ground terminal. Please connect this terminal with ground plane as close as possible for good RF performance.
14	PA1	This port is connected to PC1 terminal by applying High-level (1.3~4.5V) at VCTL terminal. An external capacitor is required to block DC voltage of internal circuit.

NJG1662MD7

■ ELECTRICAL CHARACTERISTICS (With Application circuit, Loss of external circuit are excluded)

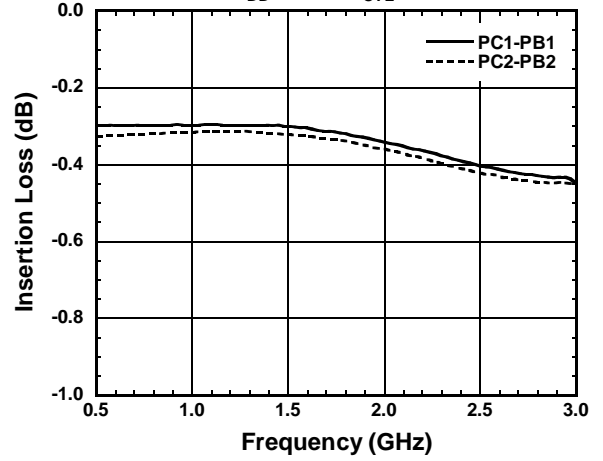
Insertion Loss vs. Frequency

($V_{DD}=2.7V, V_{CTL}=1.8V$)



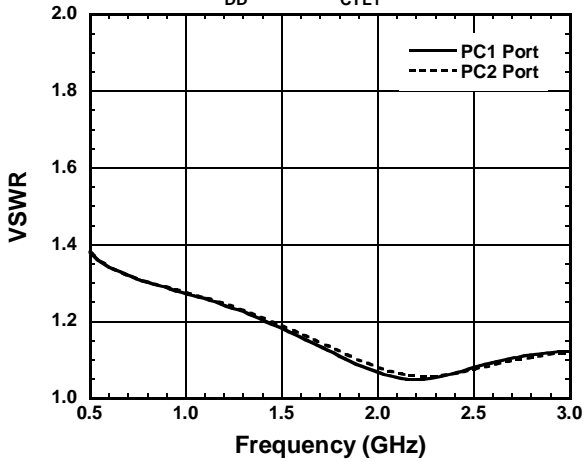
Insertion Loss vs. Frequency

($V_{DD}=2.7V, V_{CTL}=0V$)



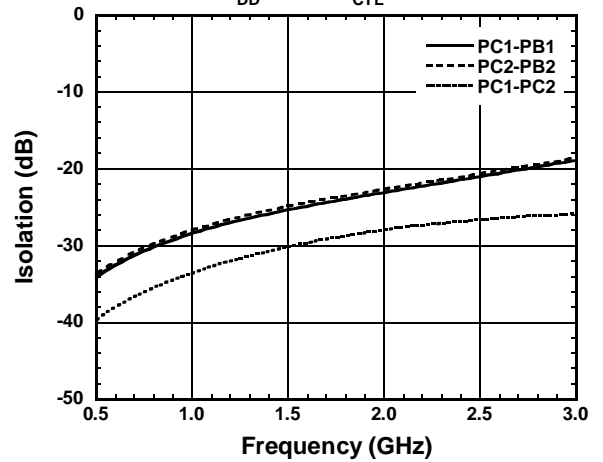
VSWR vs. Frequency

($V_{DD}=2.7V, V_{CTL1}=1.8V$)



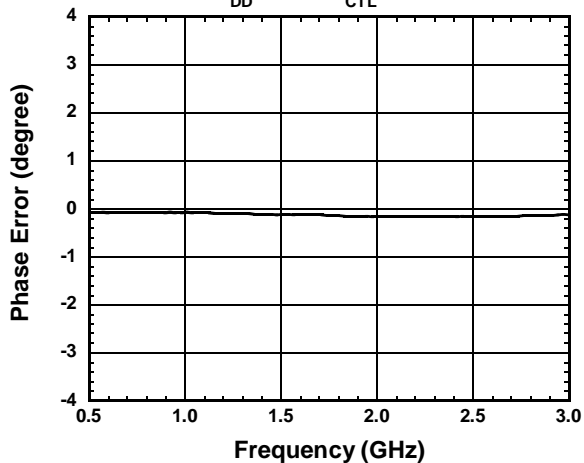
Isolation vs. Frequency

($V_{DD}=2.7V, V_{CTL}=1.8V$)



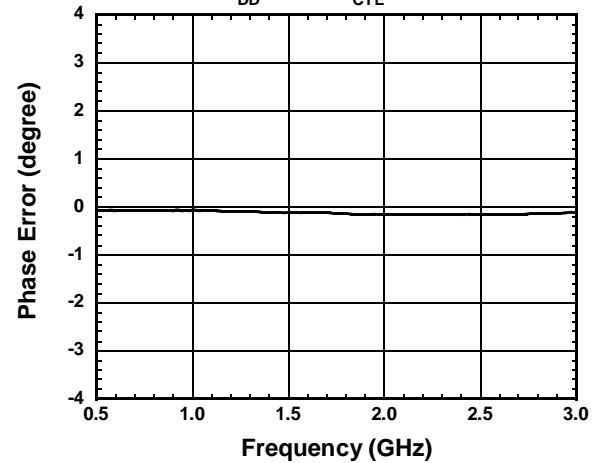
**PC1-PA1, PC2-PA2
Phase Error vs. Frequency**

($V_{DD}=2.7V, V_{CTL}=1.8V$)

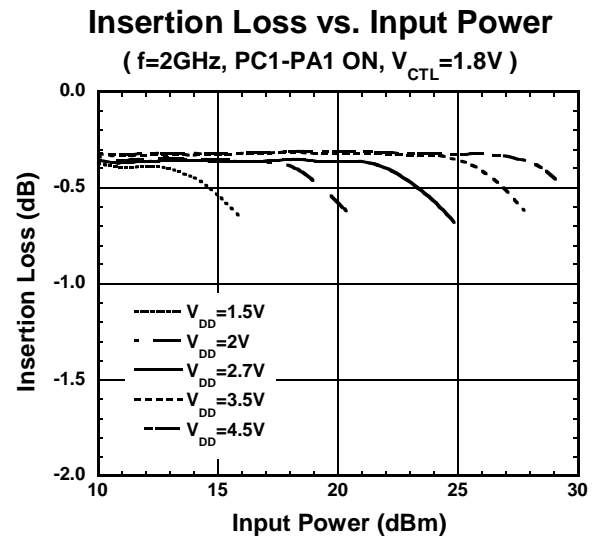
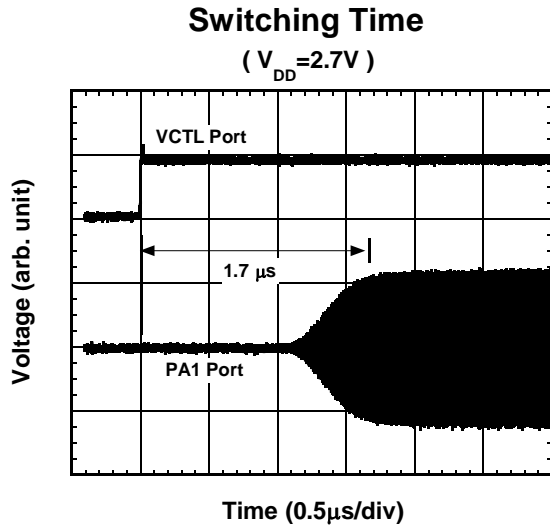


**PC1-PA1, PC2-PA2
Phase Error vs. Frequency**

($V_{DD}=2.7V, V_{CTL}=1.8V$)



■ ELECTRICAL CHARACTERISTICS (With Application circuit, Loss of external circuit are excluded)

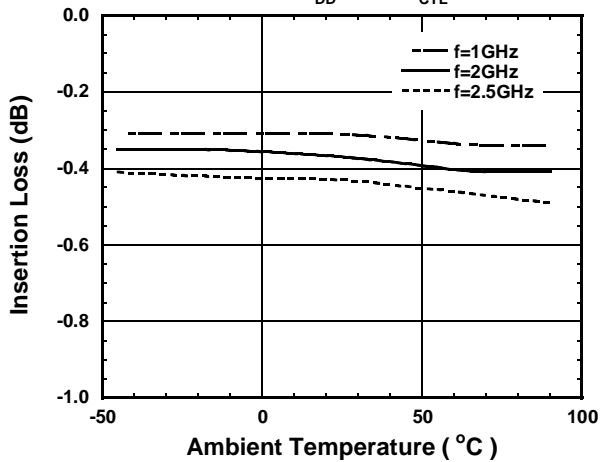


NJG1662MD7

■ ELECTRICAL CHARACTERISTICS (With Application circuit, Loss of external circuit are excluded)

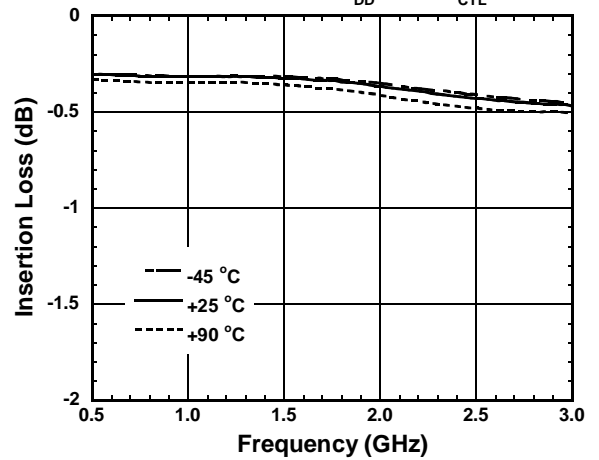
Insertion Loss vs. Ambient Temperature

(PC1-PA1 ON, $V_{DD}=2.7V$, $V_{CTL}=1.8V$)



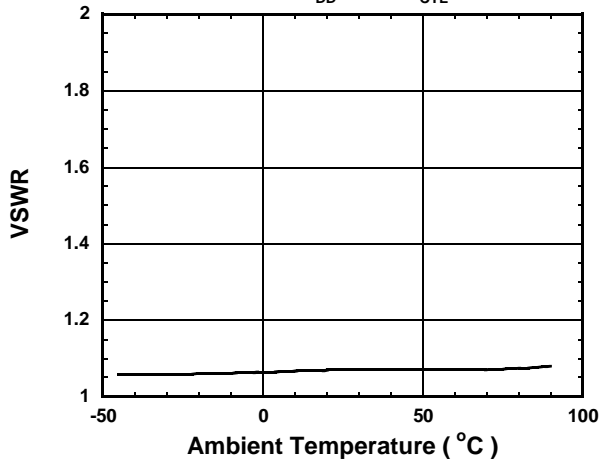
Insertion Loss vs. Frequency

(PC1-PA1 ON, $f=2GHz$, $V_{DD}=2.7V$, $V_{CTL}=1.8V$)



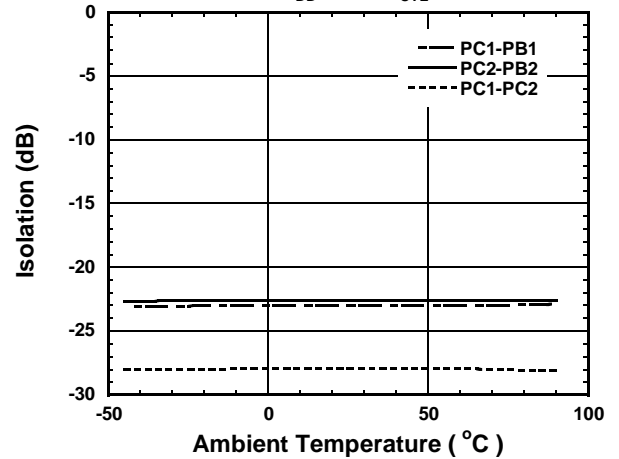
VSWR vs. Ambient Temperature

(PC1-PA1 ON, $V_{DD}=2.7V$, $V_{CTL}=1.8V$)



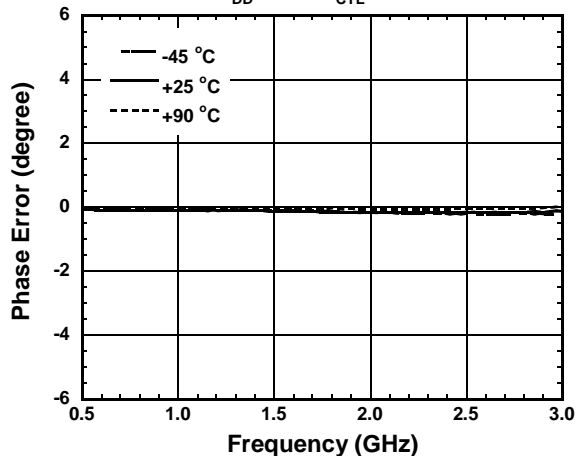
Isolation vs. Ambient Temperature

($f=2GHz$, $V_{DD}=2.7V$, $V_{CTL}=1.8V$)



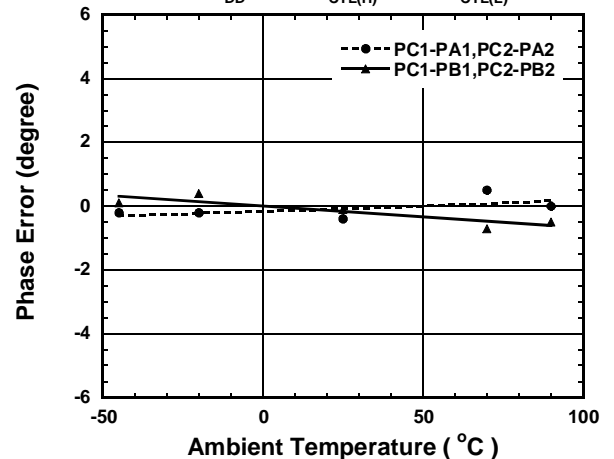
PC1-PA1, PC2-PA2 Phase Error vs. Frequency

($V_{DD}=2.7V$, $V_{CTL}=1.8V$)

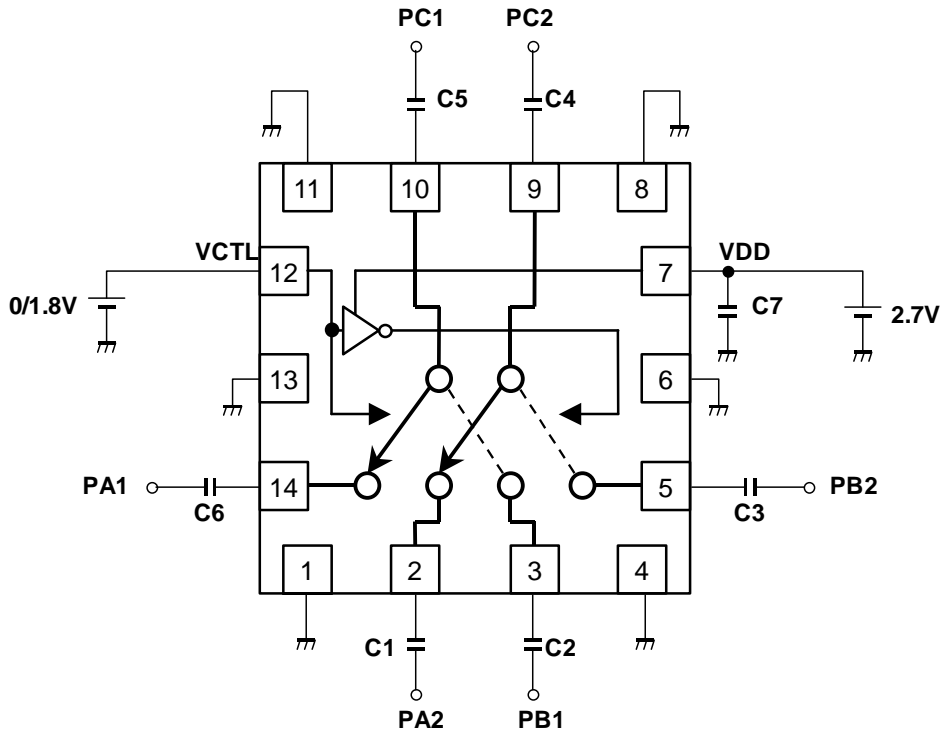


Phase Error vs. Ambient Temperature

($f=2GHz$, $V_{DD}=2.7V$, $V_{CTL(H)}=1.8V$, $V_{CTL(L)}=0V$)



APPLICATION CIRCUIT

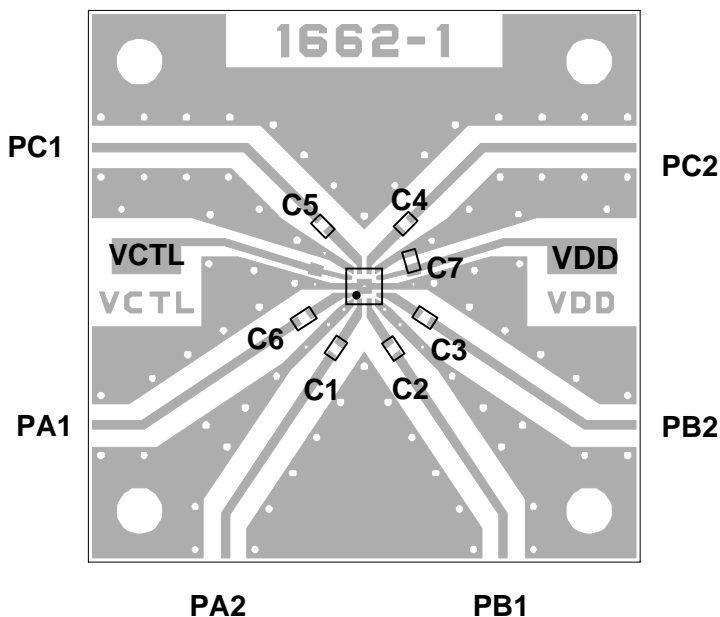


PARTS LIST

Part ID	Value	Notes
C1~C6	56pF	MURATA (GRM15)
C7	1000pF	

TEST PCB LAYOUT

(TOP VIEW)



PCB: FR-4, t=0.2mm

Capacitor Size: 1005

Strip Line Width: 0.4mm

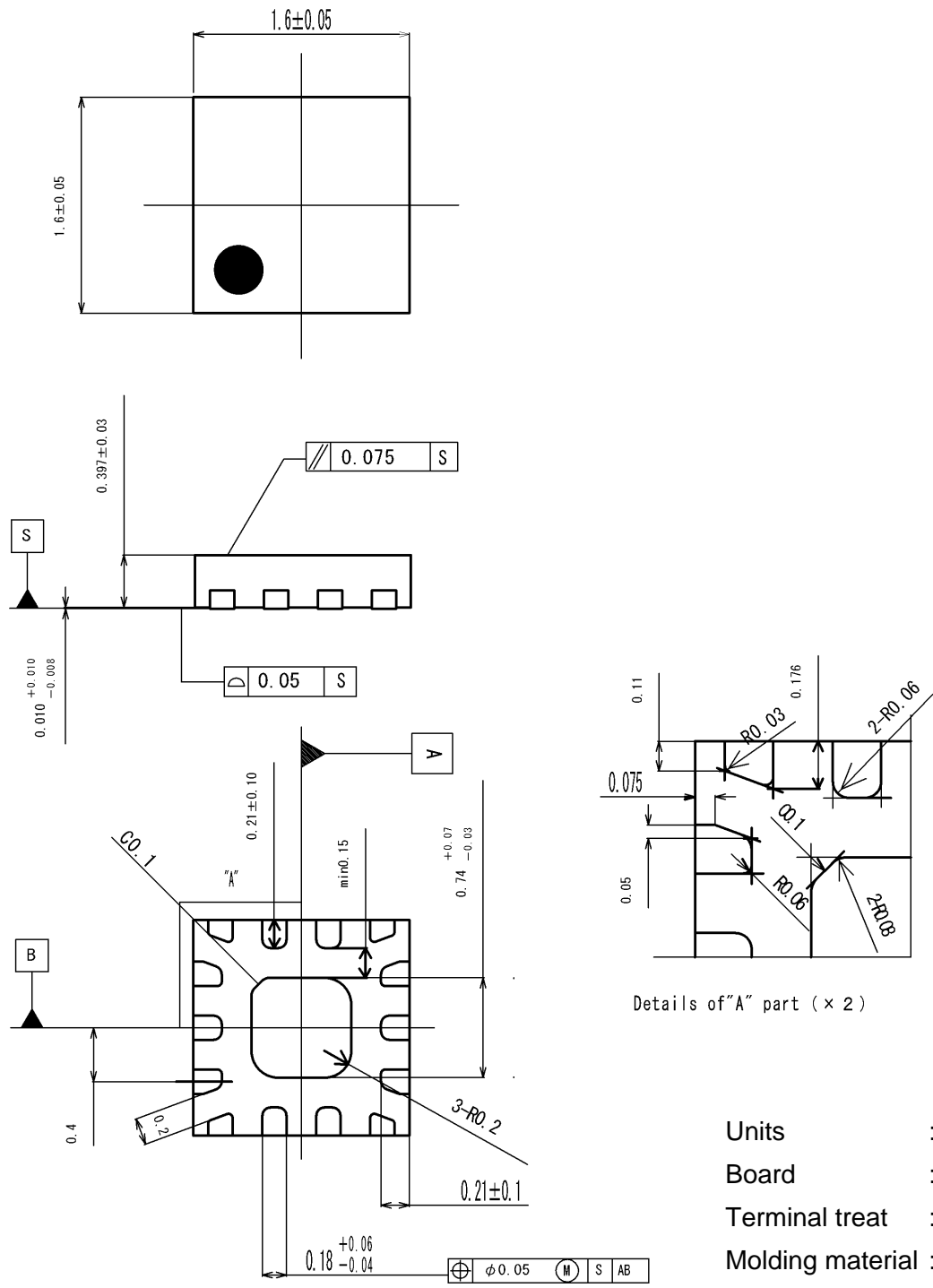
PCB Size: 26 x 26mm

Losses of PCB, capacitors and connectors

Frequency (GHz)	Loss (dB)
1.0	0.38
2.0	0.51
2.5	0.55

NJG1662MD7

PACKAGE OUTLINE (EQFN14-D7)



Units : mm
 Board : Cu
 Terminal treat : SnBi
 Molding material : Epoxy resin
 Weight : 3.3mg

Cautions on using this product
 This product contains Gallium-Arsenide (GaAs) which is a harmful material.

- Do NOT eat or put into mouth.
- Do NOT dispose in fire or break up this product.
- Do NOT chemically make gas or powder with this product.
- To waste this product, please obey the relating law of your country.

This product may be damaged with electric static discharge (ESD) or spike voltage. Please handle with care to avoid these damages.

[CAUTION]
 The specifications on this databook are only given for information, without any guarantee as regards either mistakes or omissions. The application circuits in this databook are described only to show representative usages of the product and not intended for the guarantee or permission of any right including the industrial rights.

Данный компонент на территории Российской Федерации

Вы можете приобрести в компании MosChip.

Для оперативного оформления запроса Вам необходимо перейти по данной ссылке:

<http://moschip.ru/get-element>

Вы можете разместить у нас заказ для любого Вашего проекта, будь то серийное производство или разработка единичного прибора.

В нашем ассортименте представлены ведущие мировые производители активных и пассивных электронных компонентов.

Нашей специализацией является поставка электронной компонентной базы двойного назначения, продукции таких производителей как XILINX, Intel (ex.ALTERA), Vicor, Microchip, Texas Instruments, Analog Devices, Mini-Circuits, Amphenol, Glenair.

Сотрудничество с глобальными дистрибьюторами электронных компонентов, предоставляет возможность заказывать и получать с международных складов практически любой перечень компонентов в оптимальные для Вас сроки.

На всех этапах разработки и производства наши партнеры могут получить квалифицированную поддержку опытных инженеров.

Система менеджмента качества компании отвечает требованиям в соответствии с ГОСТ Р ИСО 9001, ГОСТ РВ 0015-002 и ЭС РД 009

Офис по работе с юридическими лицами:

105318, г.Москва, ул.Щербаковская д.3, офис 1107, 1118, ДЦ «Щербаковский»

Телефон: +7 495 668-12-70 (многоканальный)

Факс: +7 495 668-12-70 (доб.304)

E-mail: info@moschip.ru

Skype отдела продаж:

moschip.ru

moschip.ru_4

moschip.ru_6

moschip.ru_9