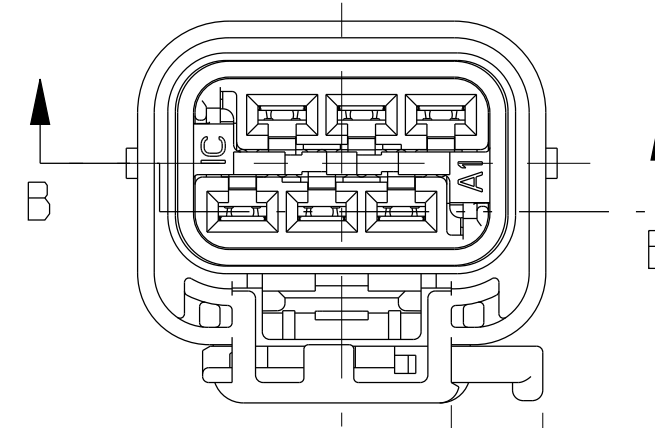
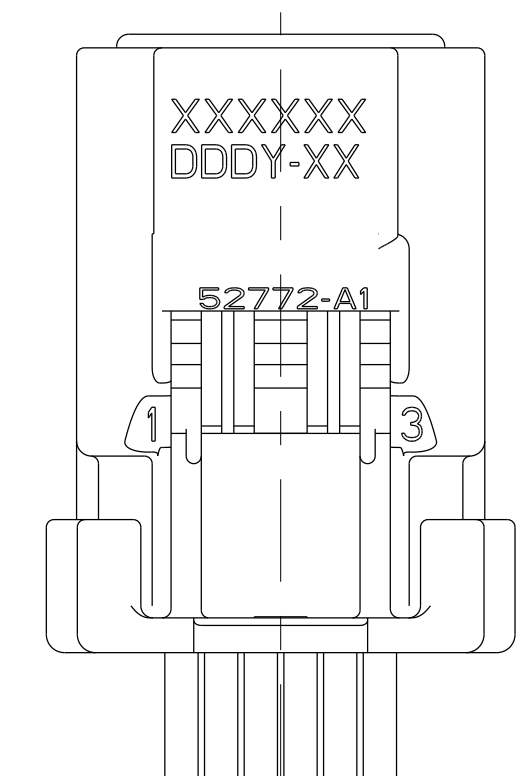


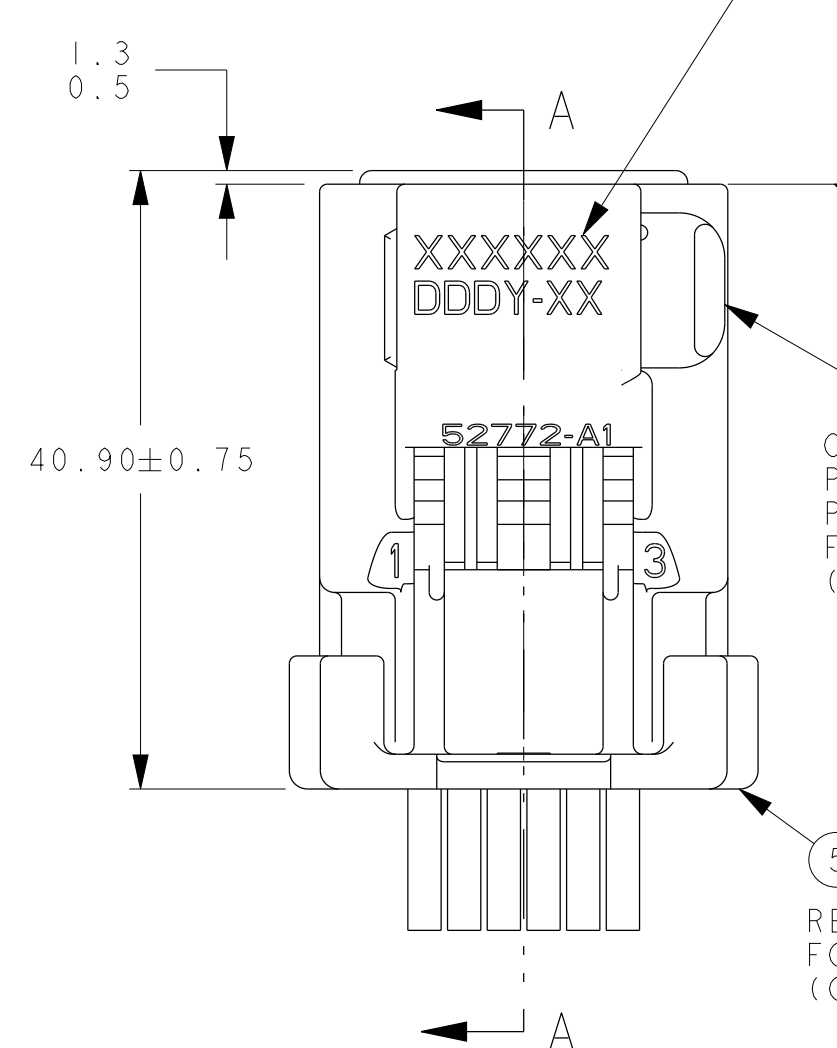
END VIEW W/O CPA



END VIEW W/ CPA



WITHOUT CPA SEE P/N CHART ALL DIMENSIONS SAME AS WITH CPA



LAST 5 DIGITS OF 8 DIGIT P/N & PART CHANGE LEVEL (PCL) OR LAST 6 DIGITS OF 9 DIGIT P/N OR 10 DIGIT P/N & PART CHANGE LEVEL (PCL) MFG. DAILY DATE CODE & ASSY MACHINE NO. LETTERING MUST BE LEGIBLE. OPTIONAL

CPA PRE-ASSEMBLED POSITION FCI 54200620 (C 04687739)

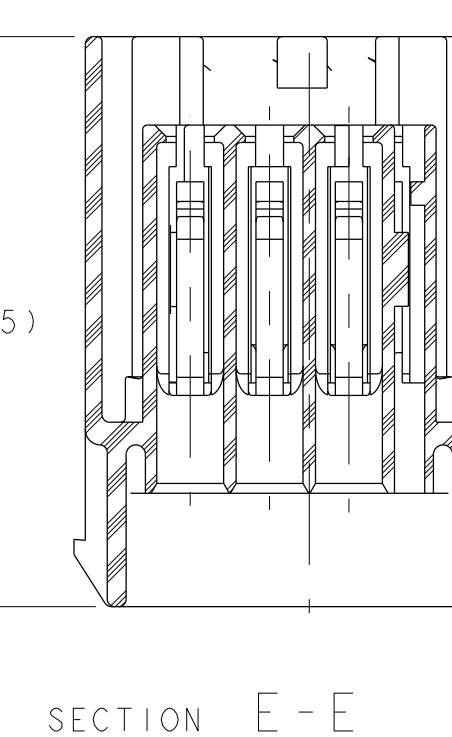
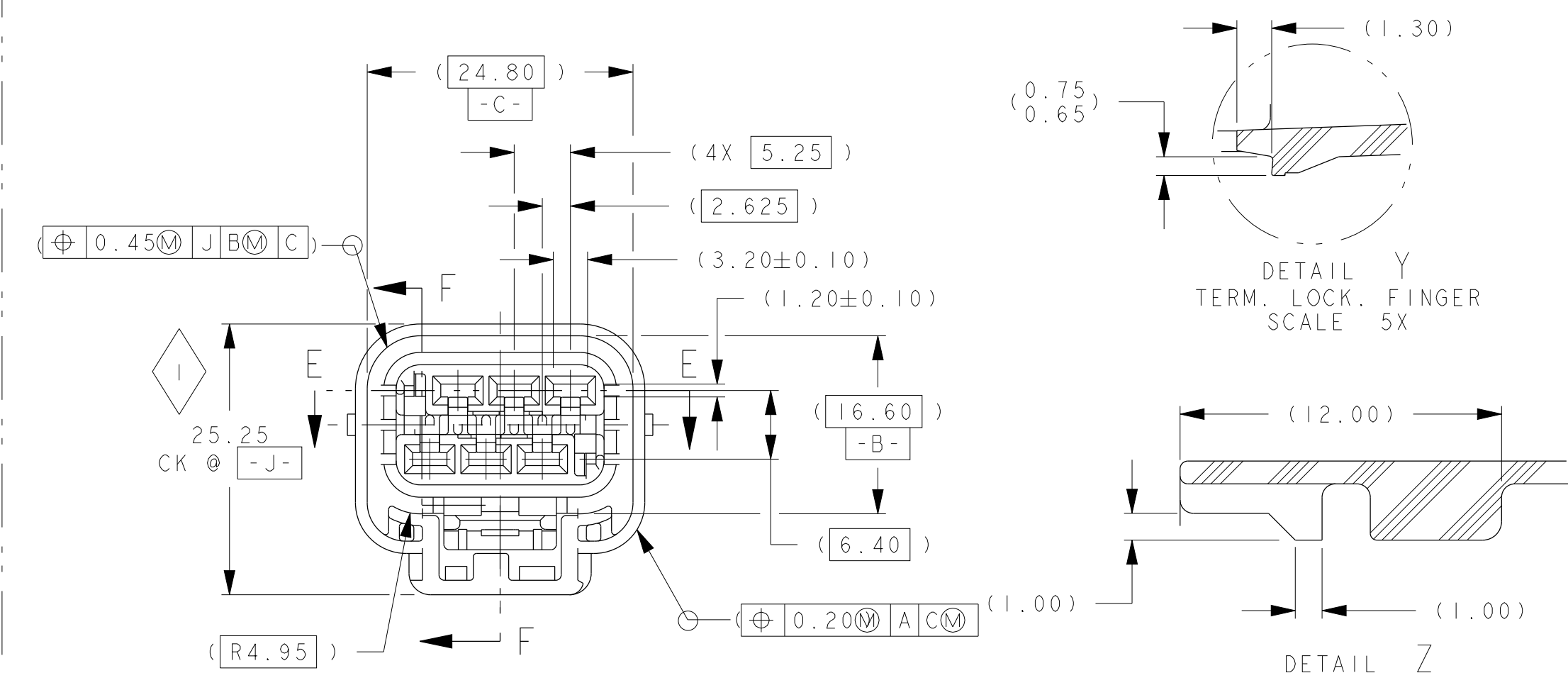
RETAINER FCI 54200651 (C 04707308)

WEDGE - FEMALE PRE-ASSEMBLED POSITION FCI 54200620 (C 04707305)

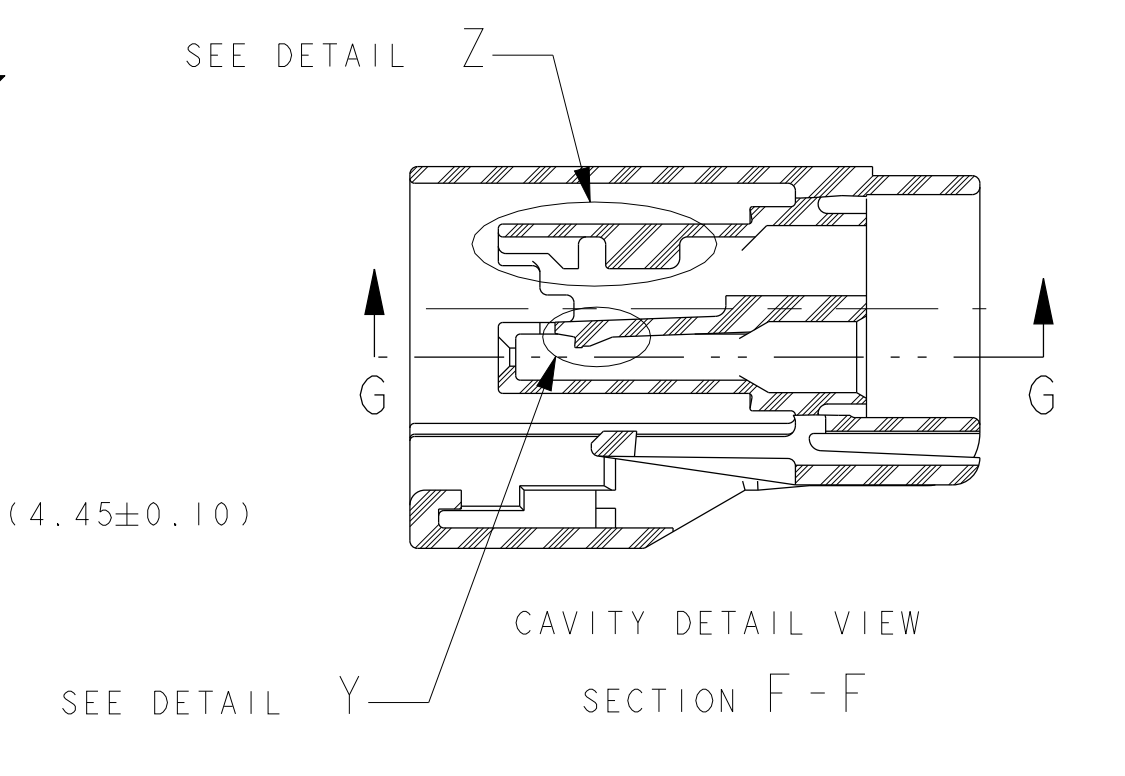
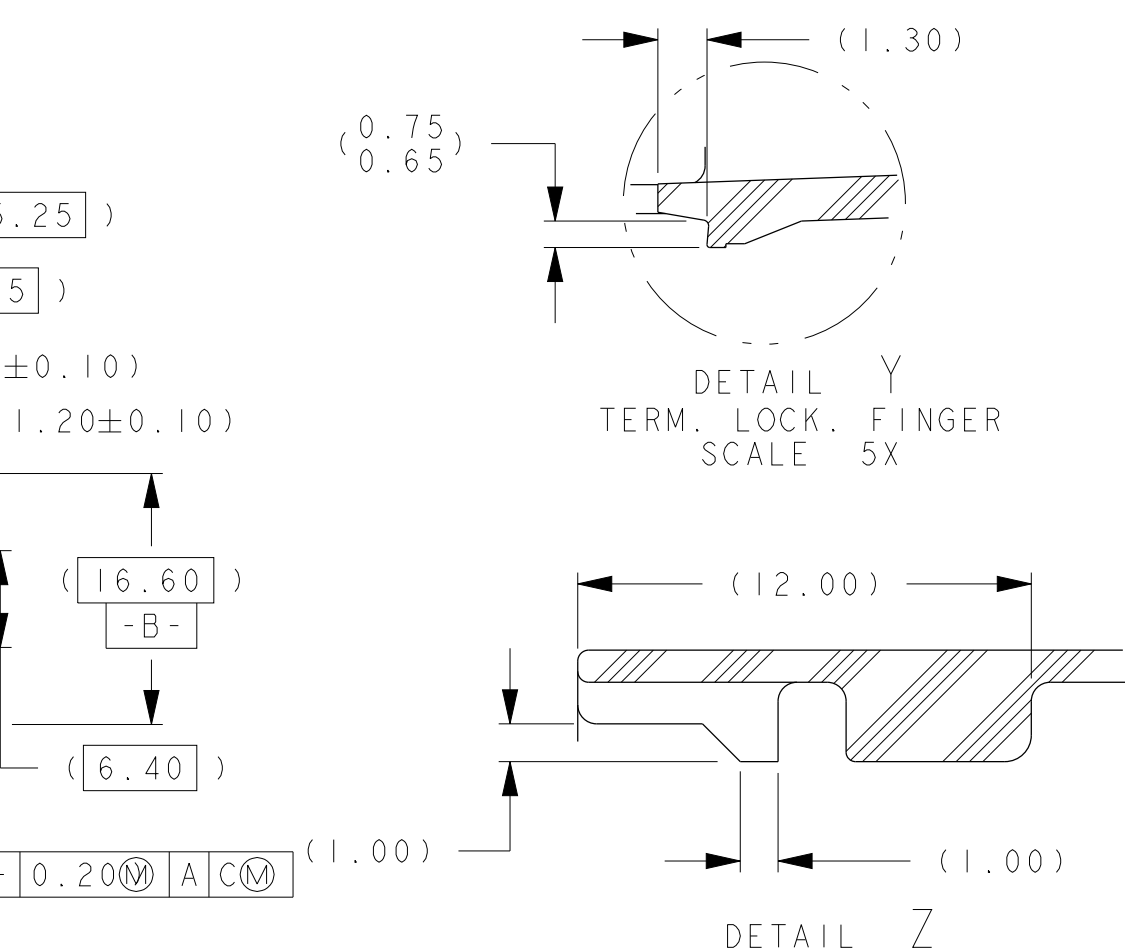
(TERMINAL-FEMALE FCI C15004-CUST) (C 04707167)

END-SEAL FCI 54200659 OR SEE CHART BELOW

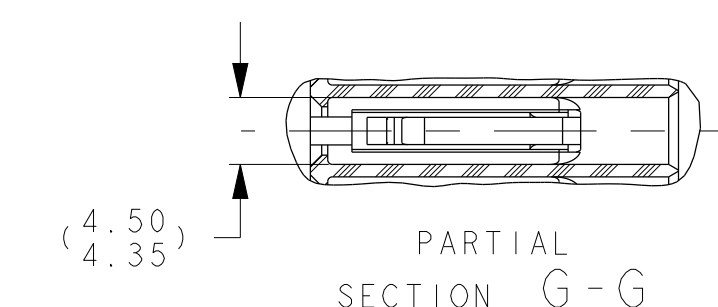
SECTION A-A



SECTION E-E

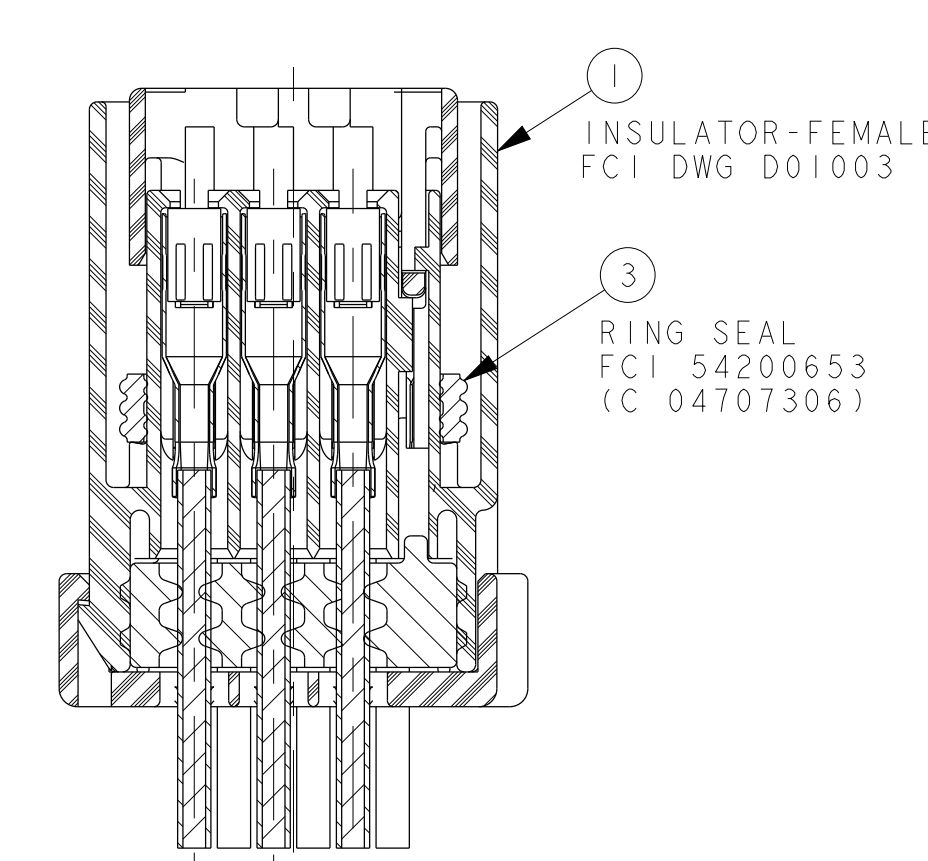


SECTION F-F

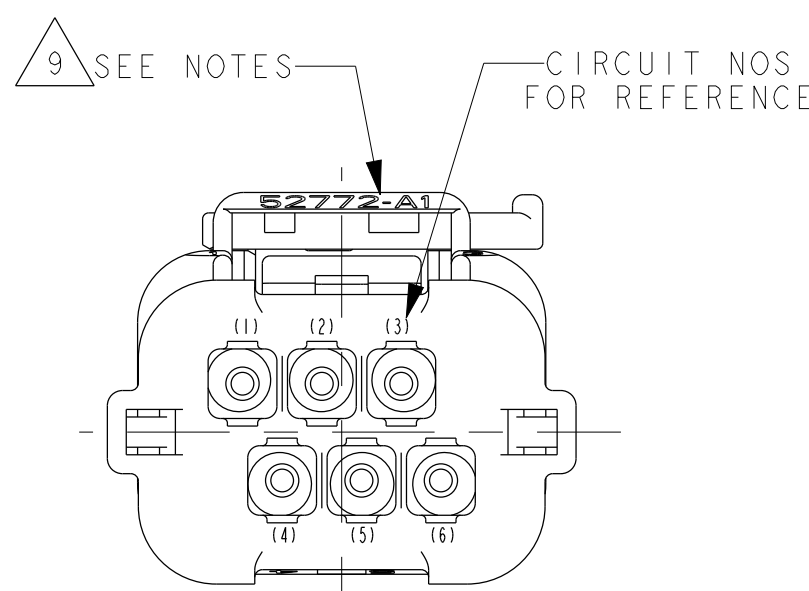


PARTIAL SECTION G-G

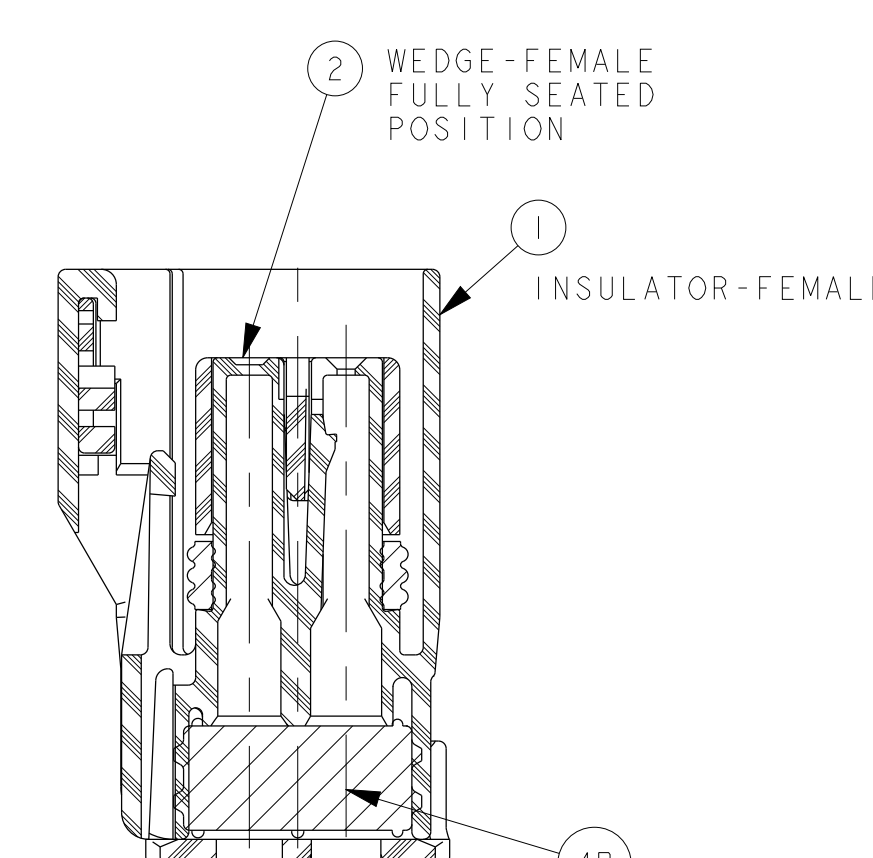
FOR REFERENCE ONLY INSULATOR VIEWS



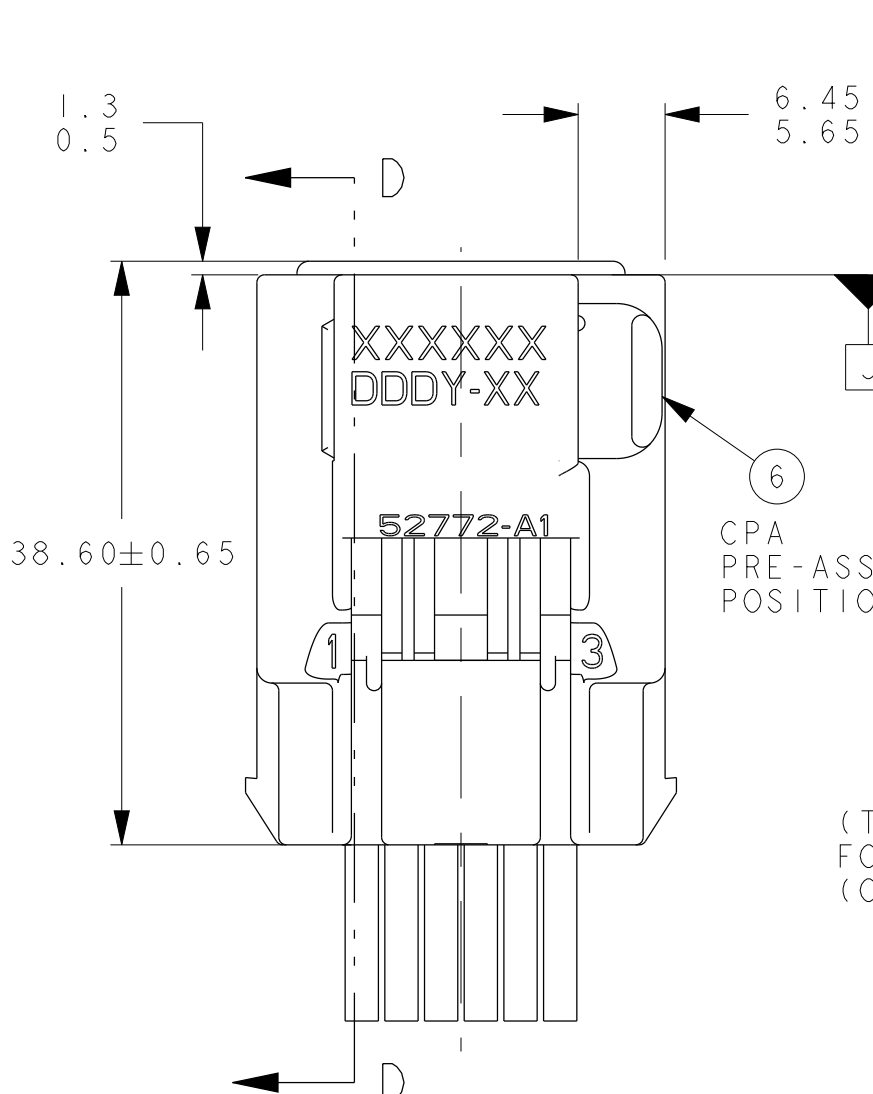
SECTION B-B



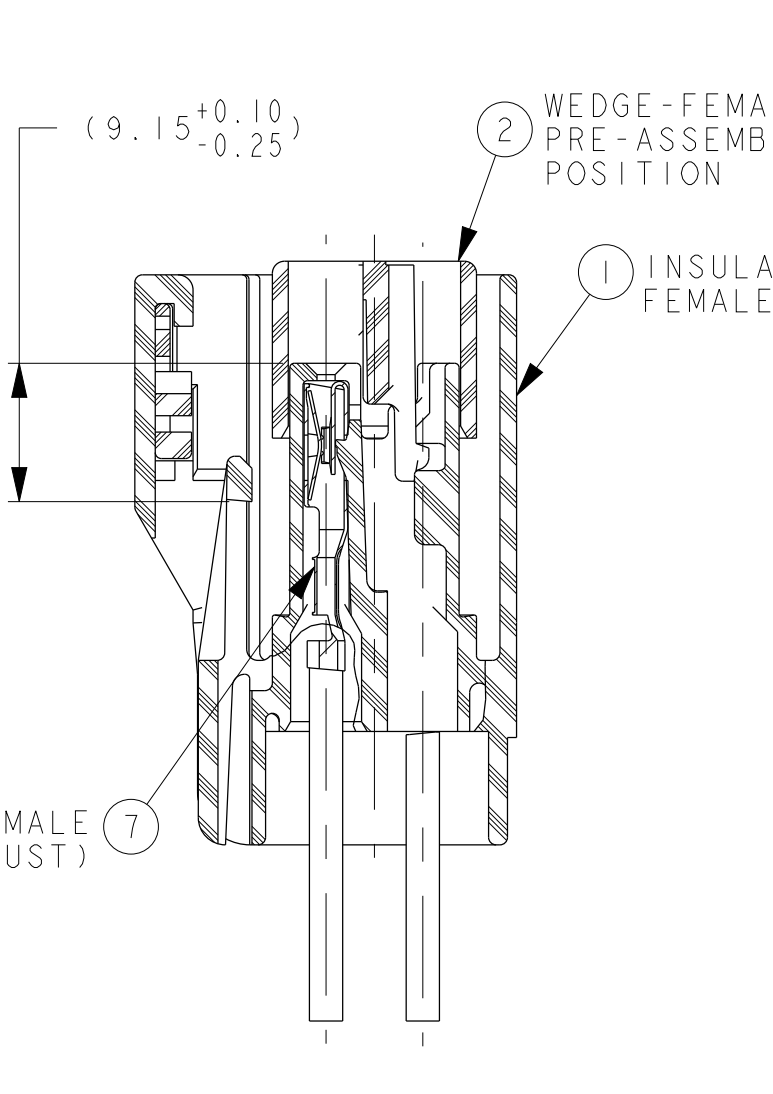
SECTION C-C



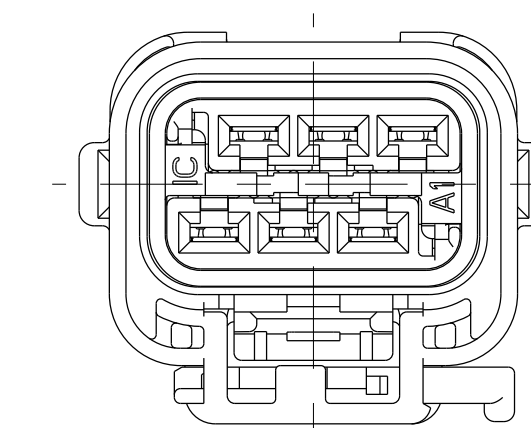
SECTION A-A P/N C56042583AA SEALED PLUG



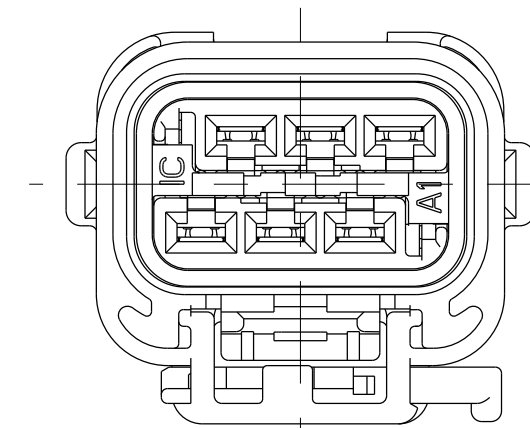
UNSEALED ASSEMBLY VIEW SEE PART NUMBER CHART



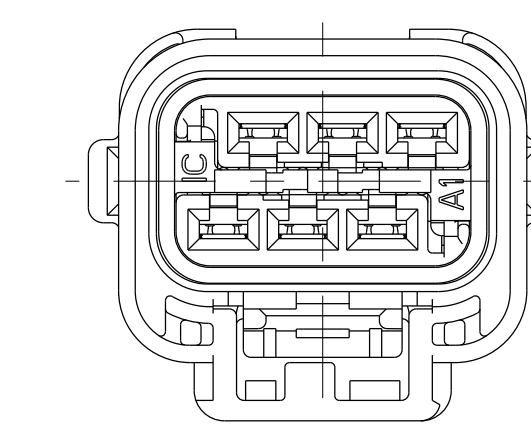
SECTION D-D



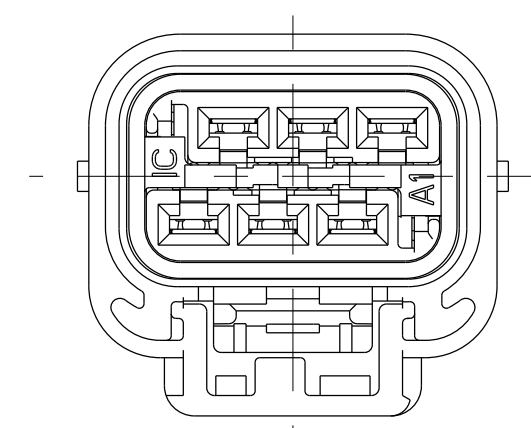
TYPE A



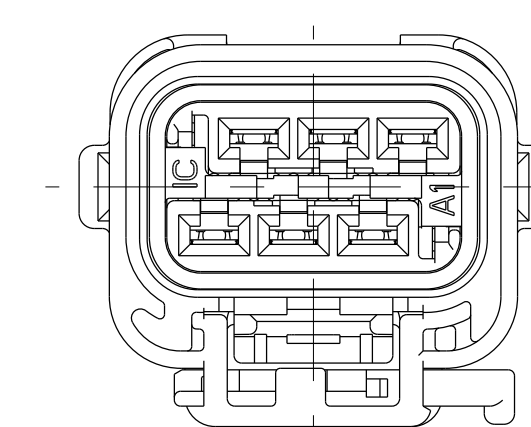
TYPE B



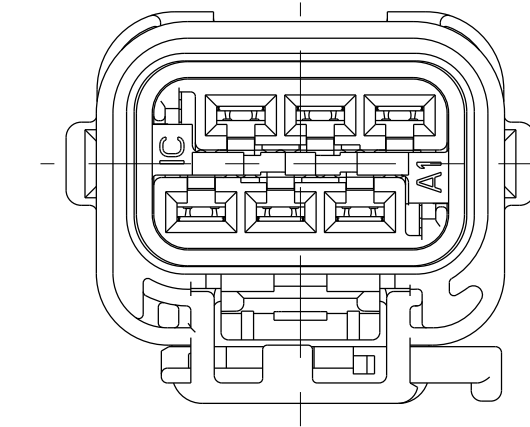
TYPE A



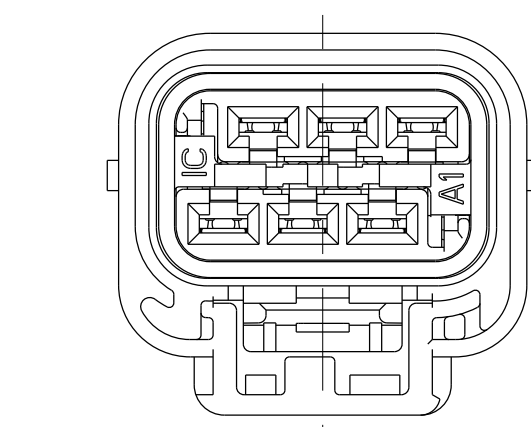
TYPE B



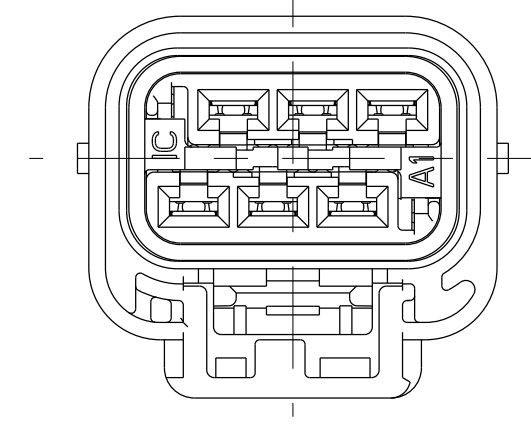
TYPE C



TYPE D



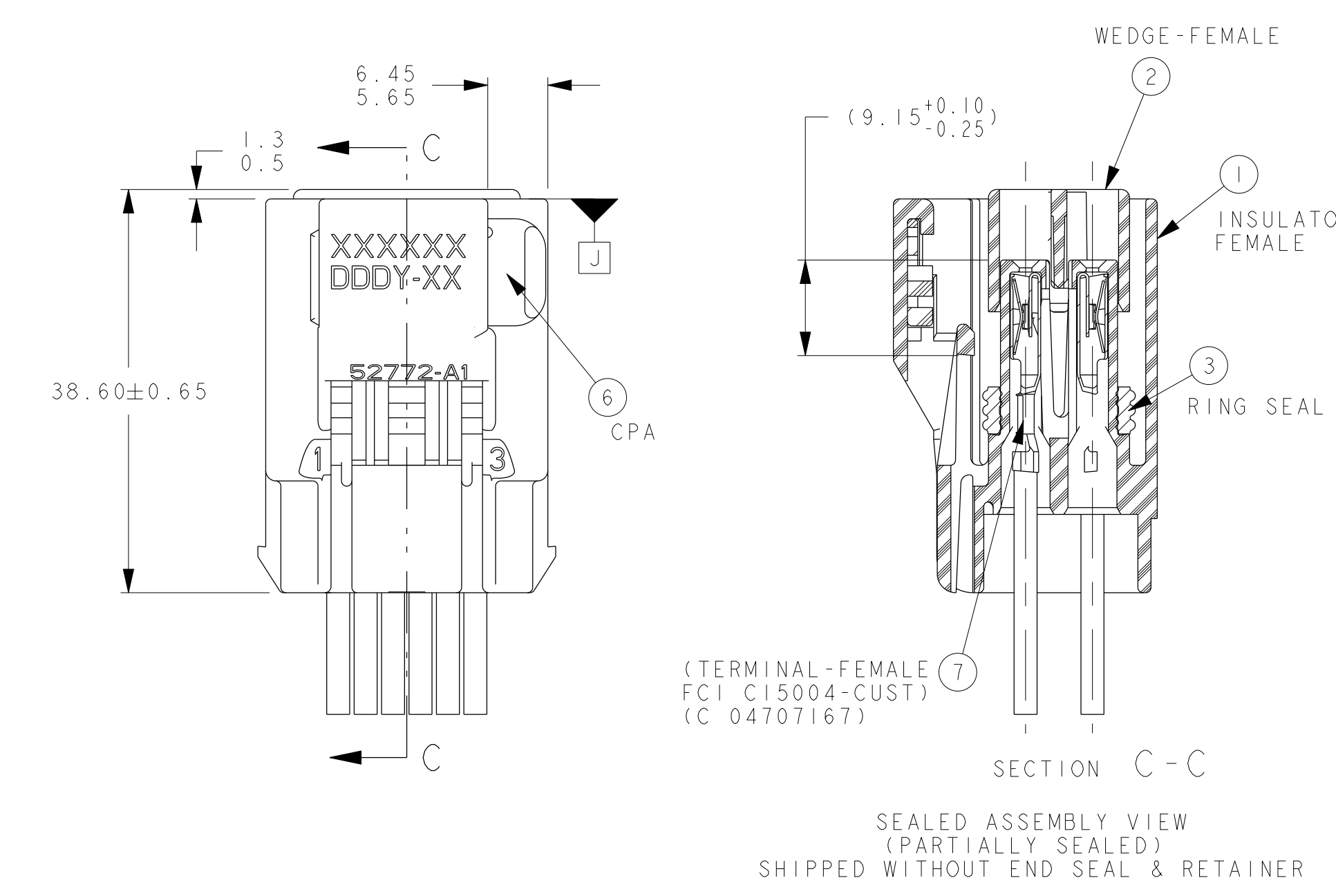
TYPE C



TYPE D

POLARIZATION OPTIONS FULL SIZE

POLARIZATION OPTIONS FULL SIZE



SEALED ASSEMBLY VIEW (PARTIALLY SEALED) SHIPPED WITHOUT END SEAL & RETAINER

- NOTES: 1. QUALITY ASSURANCE REQUIREMENTS PER CHRYSLER PS-7300: 1 SPC DATA REQUIRED. 2. ENGINEERING APPROVAL OF SUPPLIER SAMPLES IS REQUIRED PRIOR TO AUTHORIZATION OF PART PRODUCTION. 3. CHANGES IN DESIGN COMPOSITION OR PROCESSING FROM THE PART PREVIOUSLY APPROVED FOR PART PRODUCTION REQUIRES PRIOR ENGINEERING APPROVAL. 4. WIRING FABRICATORS MUST PURCHASE FROM SOURCES SHOWN. 5. ALL THE SEALED APPLICATIONS WITH 54200654 AND 54200659 END SEALS MUST BE USED WITH CHRYSLER WIRE SPEC. MS-9298 OR MS-9502 THIN WALL X-LINK 20,18,16,14 & 12 GAGE WIRES ONLY AS SHOWN IN THE CHART (WIRE INSULATION RANGE Ø1.70 MIN TO Ø3.35 MAX) ISO THIN WALL EQUIVALENTS ALLOWED. 6A. P/N WITH C455900 END SEAL MUST BE USED WITH WIRE INSULATION RANGE FROM Ø1.90MIN TO Ø3.70MAX (18AWG TO 12AWG OR 1mm² TO 4mm² ISO THIN WALL). 6. ALL NON-SEALED APPLICATIONS MAY BE USED WITH ANY WIRE INSULATION 22 GAGE THRU 10 GAGE & ISO THIN WALL EQUIVALENTS PROVIDING THAT A TERMINAL GRIP FOR THAT CORE/INSULATION COMBINATION IS SHOWN ON THE MALE TERMINAL DRAWING. MAX. INSULATION CRIMP WIDTH = 4.50 MAX. INSULATION CRIMP HEIGHT = 4.50 MAX. INSULATION DIA. = 4.09 (10 GA THIN WALL). 7. USE WITH CAVITY PLUG FCI P/N 54200005, (C) 56038308 WHEN REQ'D USE WITH 2.80MM APEX FEMALE TERMINAL PER C15004-CUST SYM ABOUT CENTERLINE. 180° ORIENTATION PERMISSIBLE. 8. TEST METHOD PER CHRYSLER PERFORMANCE SPEC# SAE/USCAR-2 REV 5, CONNECTOR ENGAGE & DISENGAGE WITH LATCH DEPRESSIONED FORCE NOT TO EXCEED 90 N FOR THIS SYSTEM. CPA SEATING FORCES - 40 N MAX WEDGE SEATING FORCES - 125 N MAX 9. SUPPLIER I.D. SIGNIFIES TOOL OWNERSHIP, FOR REFERENCE 10. ANNUAL QUALITY REQUIREMENTS: IT IS PERMISSIBLE TO PERFORM CONTINUOUS CONFORMANCE PER FCI SPECIFICATION #ADA-001 INSTEAD OF ANNUAL LAYOUT & ANNUAL PV REQUIREMENTS OF QS-9000 SECTION 2 & SAE/USCAR-2 REV 5 ALL NON-REFERENCE DIMENSIONS ARE REQUIRED - USE INDEX A, BLACK SEALED AND UNSEALED FOR ALL AFFECTED INSULATOR CAVITIES - CURRENT PRODUCTION TOOLING - POINT OF LAST RUN SERVICE TOOLING GUIDE INFORMATION PER APEX TRAINING MANUAL MUST CONFORM TO THE FOLLOWING CHRYSLER/YNA STANDARDS: SAE/USCAR-2 REV 5, EXCEPT AS NOTED ABOVE PS-7300 QUALITY ASSURANCE (CHRYSLER) PS-4480-CEK-4 (CHRYSLER) PART I.D., (G-009-2 YNA) PS-9065 REGRIND (CHRYSLER), (G-009-3 YNA) PS-9227 DATA EXCHANGE (CHRYSLER), (G-009-7 YNA) PS-10052 INFORMATION SECURITY (CHRYSLER) THIS DRAWING (H59007) REPLACES CHRYSLER DRAWING NUMBER 04707299 LEVEL "K" CHRYSLER DRAWING IS FOR REFERENCE ONLY FCI P/N WITH SUFFIX "N" DESIGNATES ASSEMBLIES W/O CPA

SEALED ASSEMBLY VIEWS SEE PART NUMBER CHART

MATING PART NUMBER CHART table with columns for Index Type, Color, Sealed/Unsealed, FCI, and Customer.

CHART-ASSEMBLY PART NUMBERS table with columns for Unsealed and Sealed parts, W/O CPA and W/CPA.

Table with columns for FCI P/N, Customer P/N, Part Name, and Material.

Legend table for FCI and Vendor information.

* VENDOR PART NUMBER ** CIRCUIT NOS 2 & 5 WITH 12 OR 10 AWG ONLY & NOS 1, 3, 4 & 6 WITH 20 TO 14 AWG ONLY *** END SEAL FCI P/N C455900 AND RETAINER P/N 54200651 PROVIDED LOOSE PIECE AND INSTALLED AT WIRE HARNESS ASSEMBLY

Product specification table with columns for Part No., Zone, Description, and other technical details.

Данный компонент на территории Российской Федерации

Вы можете приобрести в компании MosChip.

Для оперативного оформления запроса Вам необходимо перейти по данной ссылке:

<http://moschip.ru/get-element>

Вы можете разместить у нас заказ для любого Вашего проекта, будь то серийное производство или разработка единичного прибора.

В нашем ассортименте представлены ведущие мировые производители активных и пассивных электронных компонентов.

Нашей специализацией является поставка электронной компонентной базы двойного назначения, продукции таких производителей как XILINX, Intel (ex.ALTERA), Vicor, Microchip, Texas Instruments, Analog Devices, Mini-Circuits, Amphenol, Glenair.

Сотрудничество с глобальными дистрибьюторами электронных компонентов, предоставляет возможность заказывать и получать с международных складов практически любой перечень компонентов в оптимальные для Вас сроки.

На всех этапах разработки и производства наши партнеры могут получить квалифицированную поддержку опытных инженеров.

Система менеджмента качества компании отвечает требованиям в соответствии с ГОСТ Р ИСО 9001, ГОСТ РВ 0015-002 и ЭС РД 009

Офис по работе с юридическими лицами:

105318, г.Москва, ул.Щербаковская д.3, офис 1107, 1118, ДЦ «Щербаковский»

Телефон: +7 495 668-12-70 (многоканальный)

Факс: +7 495 668-12-70 (доб.304)

E-mail: info@moschip.ru

Skype отдела продаж:

moschip.ru

moschip.ru_4

moschip.ru_6

moschip.ru_9