

# High Power Resistive Products



## Resistors

AVX introduces its line of High Power Resistive Products. All products are designed and manufactured at our ISO 9001 Facilities.

### ELECTRICAL SPECIFICATIONS

**Resistance:** 50 and 100  $\Omega$  standard (10  $\Omega$  - 200  $\Omega$  available)

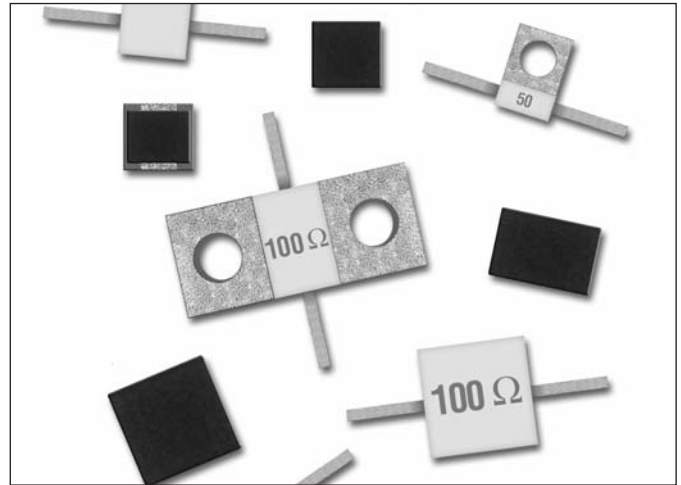
**Resistance Tolerance:**  $\pm 5\%$  standard ( $\pm 2\%$  available)

**Power:** 2 Watts through 250 Watts

**Operating Temperature Range:**  $-55^{\circ}\text{C}$  to  $+150^{\circ}\text{C}$

**Temperature Coefficient:**  $< 150$  ppm/ $^{\circ}\text{C}$

**Low Capacitance**



### MECHANICAL SPECIFICATIONS

**Package:** Surface Mount Chips, Chips, Leaded Chips, Flanged

**Substrate Material:** Aluminum Nitride

**Process:** Thin Film

**Resistive Material:** Tantalum

**Terminals:** Silver

**Cover:** Alumina

**Mounting Flange:** 100% Cu, Ni or Ag Plated

**Mechanical Tolerance:**  $\pm 0.13$  (0.005)

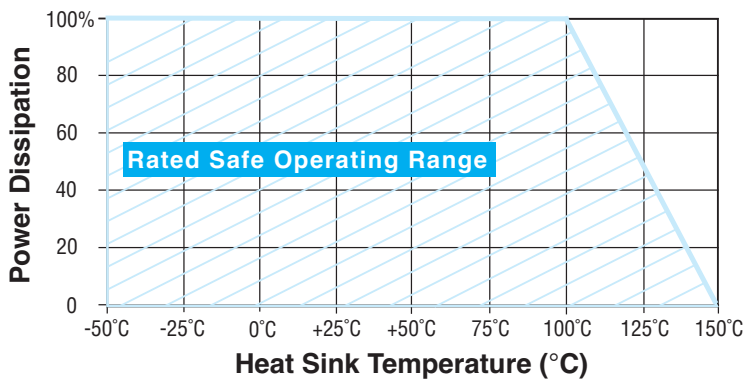
**SMT and Chip products, supplied on Tape and Reel**

**Non-Magnetic** (exception RP4 and RP5 Style Surface Mount Resistors)

**RoHS Compliant**



### POWER DERATING



# High Power Resistive Products



## Resistors

### FLANGE MOUNT RESISTORS

#### GENERAL SPECIFICATIONS

**Resistance:** 50 and 100  $\Omega$  standard  
(contact factory for custom resistance values)

**Resistive Tolerance:**  $\pm 5\%$  standard ( $\pm 2\%$  available)

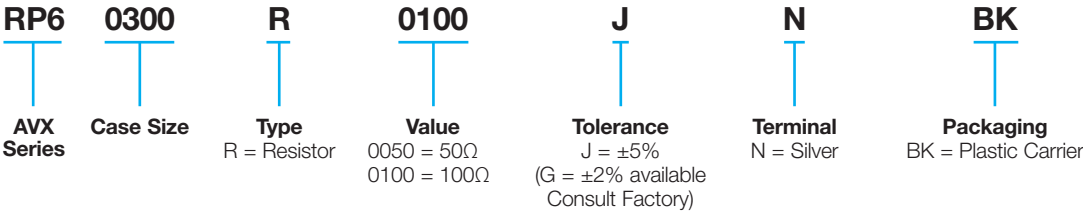
**Power:** 20-250 Watts

**Capacitance:** 1.0 pF

**Operating Temperature Range:**  $-55^{\circ}\text{C}$  to  $+150^{\circ}\text{C}$

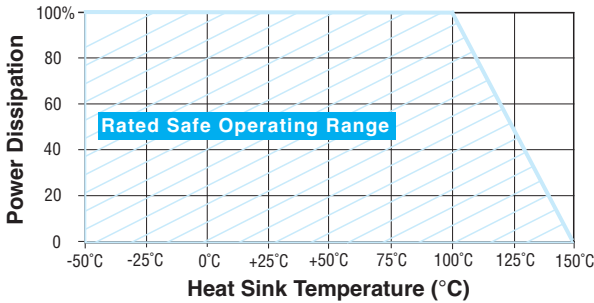
**Temperature Coefficient:**  $<150$  ppm/ $^{\circ}\text{C}$

#### HOW TO ORDER



Contact factory for custom ratings and sizes.

#### POWER DERATING



# High Power Resistive Products



## Resistors

### FLANGE MOUNT RESISTOR – P/N: RP60300RXXXXJNBK

#### ELECTRICAL SPECIFICATIONS

**Resistance:** 50 and 100  $\Omega$  standard  
(other resistance values available)

**Resistive Tolerance:**  $\pm 5\%$  standard ( $\pm 2\%$  available)

**Power:** 20 Watts

**Capacitance:** 1.0 pF

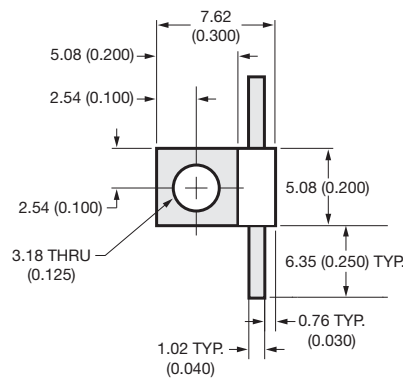
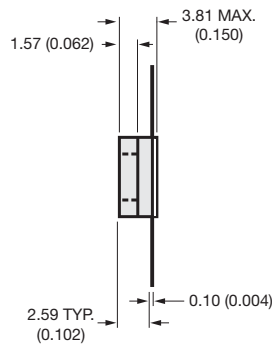
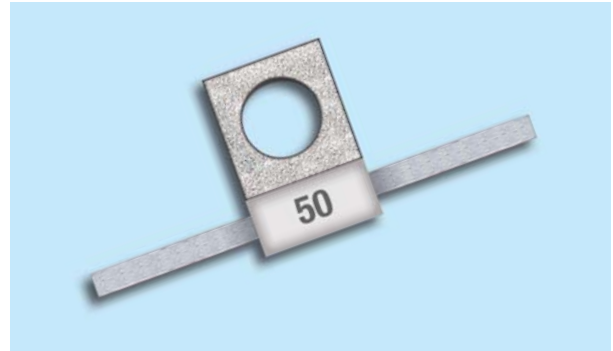
**Operating Temperature Range:**  $-55^{\circ}\text{C}$  to  $+150^{\circ}\text{C}$

**Temperature Coefficient:**  $<150$  ppm/ $^{\circ}\text{C}$

**Tabs:** Silver

**RoHS Compliant**

**Non-Magnetic available**



mm (inches)

### FLANGE MOUNT RESISTOR – P/N: RP60302RXXXXJNBK

#### ELECTRICAL SPECIFICATIONS

**Resistance:** 50 and 100  $\Omega$  standard  
(other resistance values available)

**Resistive Tolerance:**  $\pm 5\%$  standard ( $\pm 2\%$  available)

**Power:** 20 Watts

**Capacitance:** 1.0pF

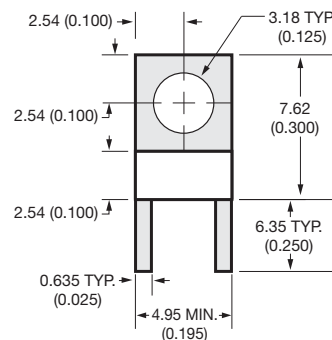
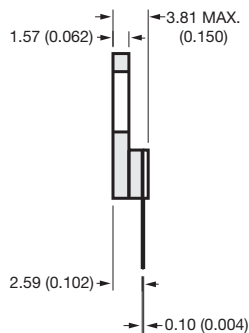
**Operating Temperature Range:**  $-55^{\circ}\text{C}$  to  $+150^{\circ}\text{C}$

**Temperature Coefficient:**  $<150$  ppm/ $^{\circ}\text{C}$

**Tabs:** Silver

**RoHS Compliant**

**Non-Magnetic available**



mm (inches)

For Part Number Code, see page 8.



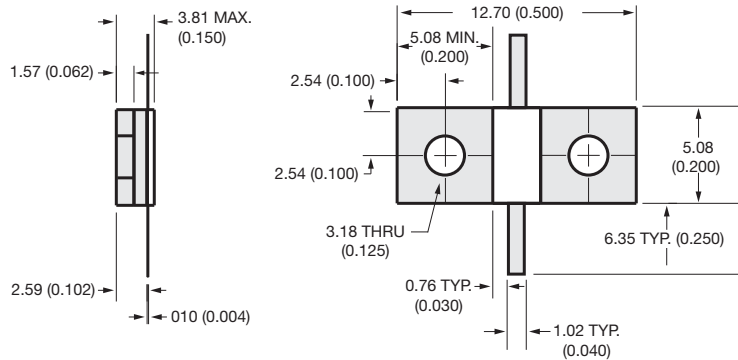
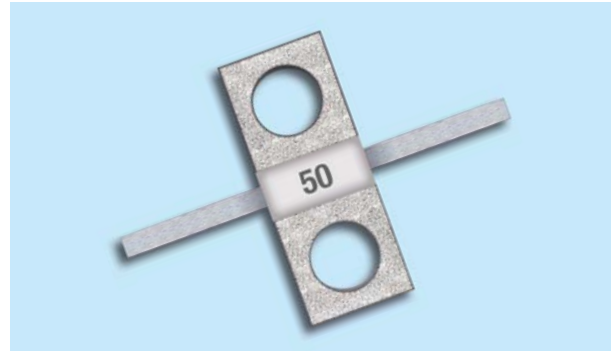
# High Power Resistive Products



## Resistors

### FLANGE MOUNT RESISTOR – P/N: RP60500RXXXXJNBK ELECTRICAL SPECIFICATIONS

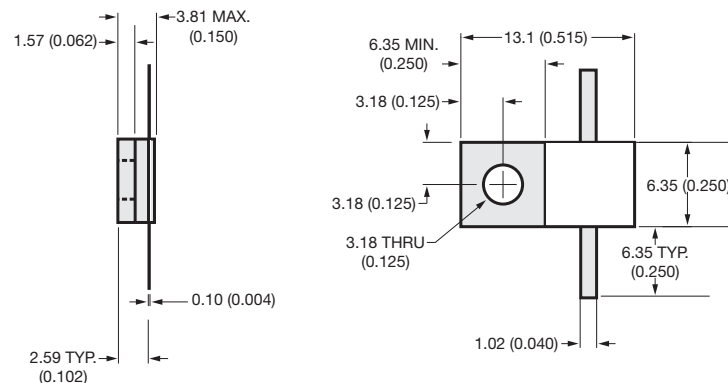
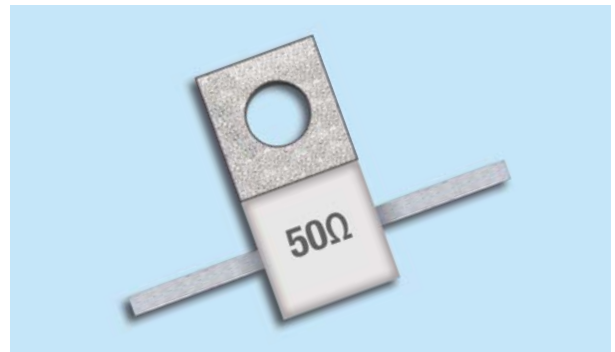
- Resistance:** 50 and 100  $\Omega$  standard  
(other resistance values available)
- Resistive Tolerance:**  $\pm 5\%$  standard ( $\pm 2\%$  available)
- Power:** 25 Watts
- Capacitance:** 1.0pF
- Operating Temperature Range:**  $-55^{\circ}\text{C}$  to  $+150^{\circ}\text{C}$
- Temperature Coefficient:**  $<150$  ppm/ $^{\circ}\text{C}$
- Tabs:** Silver
- RoHS Compliant**
- Non-Magnetic available**



mm (inches)

### FLANGE MOUNT RESISTOR – P/N: RP60515RXXXXJNBK ELECTRICAL SPECIFICATIONS

- Resistance:** 50 and 100  $\Omega$  standard  
(other resistance values available)
- Resistive Tolerance:**  $\pm 5\%$  standard ( $\pm 2\%$  available)
- Power:** 60 Watts
- Capacitance:** 2.0 pF
- Operating Temperature Range:**  $-55^{\circ}\text{C}$  to  $+150^{\circ}\text{C}$
- Temperature Coefficient:**  $<150$  ppm/ $^{\circ}\text{C}$
- Tabs:** Silver
- RoHS Compliant**
- Non-Magnetic available**



mm (inches)

For Part Number Code, see page 8.



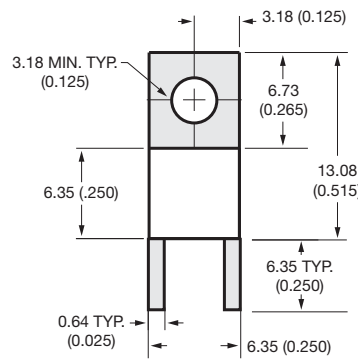
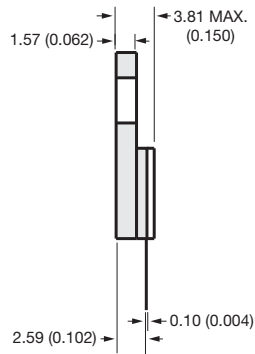
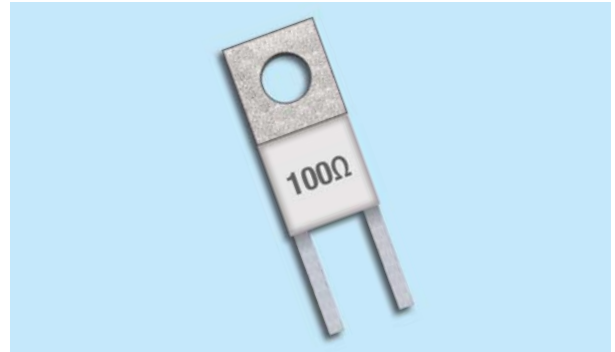
# High Power Resistive Products



## Resistors

### FLANGE MOUNT RESISTOR – P/N: RP60517RXXXJNBK ELECTRICAL SPECIFICATIONS

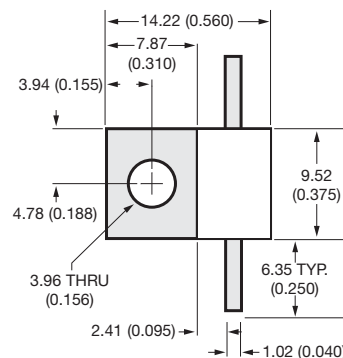
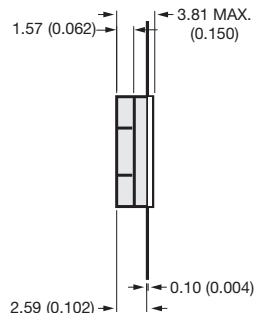
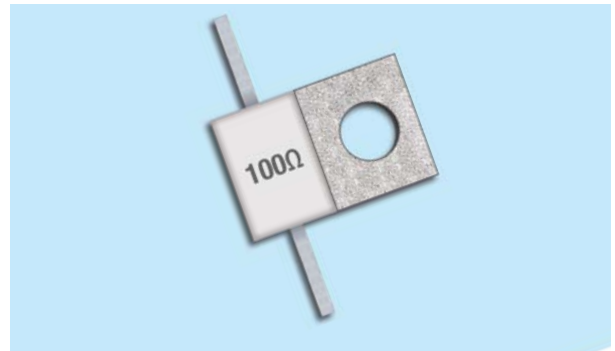
- Resistance:** 50 and 100  $\Omega$  standard  
(other resistance values available)
- Resistive Tolerance:**  $\pm 5\%$  standard ( $\pm 2\%$  available)
- Power:** 60 Watts
- Capacitance:** 2.2 pF
- Operating Temperature Range:**  $-55^{\circ}\text{C}$  to  $+150^{\circ}\text{C}$
- Temperature Coefficient:**  $<150$  ppm/ $^{\circ}\text{C}$
- Tabs:** Silver
- RoHS Compliant**
- Non-Magnetic available**



mm (inches)

### FLANGE MOUNT RESISTOR – P/N: RP60560RXXXJNBK ELECTRICAL SPECIFICATIONS

- Resistance:** 50 and 100  $\Omega$  standard  
(other resistance values available)
- Resistive Tolerance:**  $\pm 5\%$  standard ( $\pm 2\%$  available)
- Power:** 75 Watts
- Capacitance:** 4.15 pF
- Operating Temperature Range:**  $-55^{\circ}\text{C}$  to  $+150^{\circ}\text{C}$
- Temperature Coefficient:**  $<150$  ppm/ $^{\circ}\text{C}$
- Tabs:** Silver
- RoHS Compliant**
- Non-Magnetic available**



mm (inches)

For Part Number Code, see page 8.



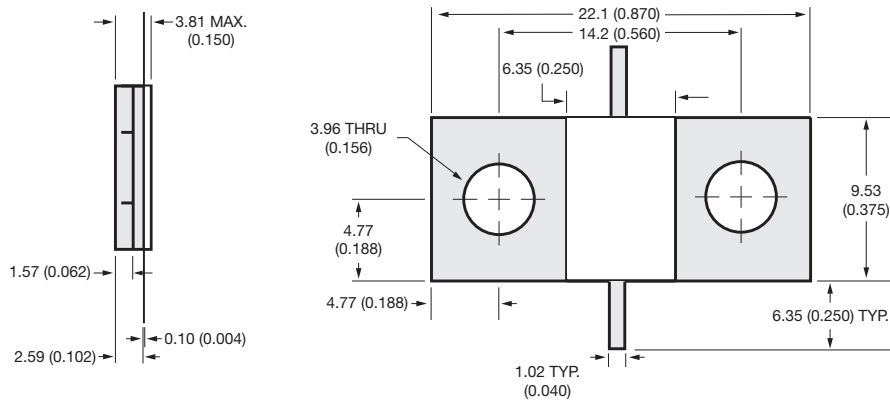
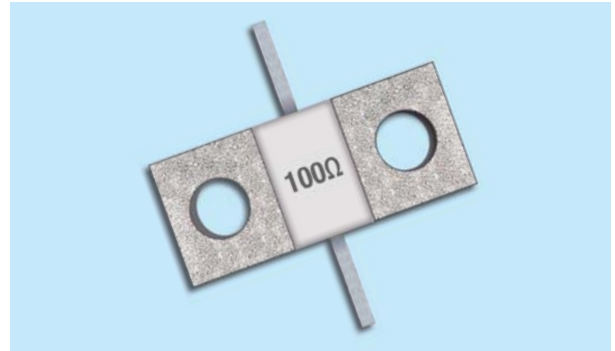
# High Power Resistive Products



## Resistors

### FLANGE MOUNT RESISTOR – P/N: RP60870RXXXXJNBK ELECTRICAL SPECIFICATIONS

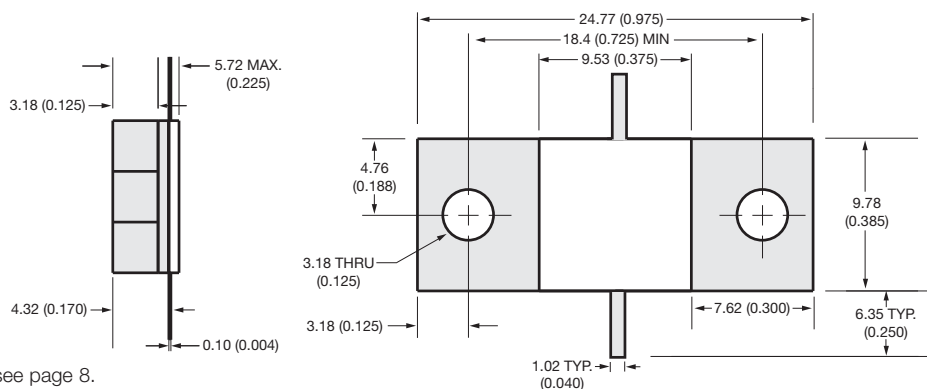
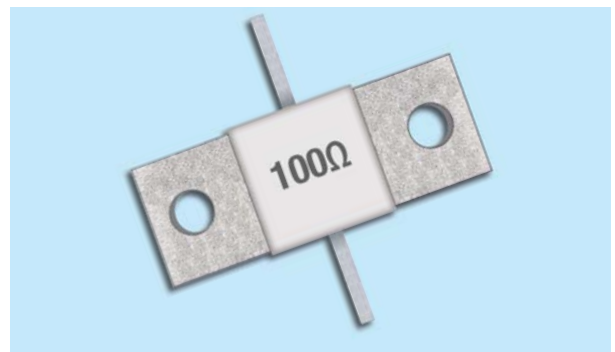
- Resistance:** 50 and 100  $\Omega$  standard (other resistance values available)
- Resistive Tolerance:**  $\pm 5\%$  standard ( $\pm 2\%$  available)
- Power:** 150 Watts
- Capacitance:** 4.15 pF
- Operating Temperature Range:**  $-55^{\circ}\text{C}$  to  $+150^{\circ}\text{C}$
- Temperature Coefficient:**  $<150$  ppm/ $^{\circ}\text{C}$
- Tab:** Silver
- RoHS Compliant**
- Non-Magnetic available**



mm (inches)

### FLANGE MOUNT RESISTOR – P/N: RP60975RXXXXJNBK ELECTRICAL SPECIFICATIONS

- Resistance:** 50 and 100  $\Omega$  standard (other resistance values available)
- Resistive Tolerance:**  $\pm 5\%$  standard ( $\pm 2\%$  available)
- Power:** 250 Watts
- Capacitance:** 6.5 pF
- Operating Temperature Range:**  $-55^{\circ}\text{C}$  to  $+150^{\circ}\text{C}$
- Temperature Coefficient:**  $<150$  ppm/ $^{\circ}\text{C}$
- RoHS Compliant**
- Non-Magnetic available**



mm (inches)

For Part Number Code, see page 8.



# High Power Resistive Products



## Resistors

### FLANGE MOUNT RESISTOR – P/N: RP60562RXXXXJNBK

#### ELECTRICAL SPECIFICATIONS

**Resistance:** 50 and 100  $\Omega$  standard  
(other resistance values available)

**Resistive Tolerance:**  $\pm 5\%$  standard ( $\pm 2\%$  available)

**Power:** 75 Watts

**Capacitance:** 4.15 pF

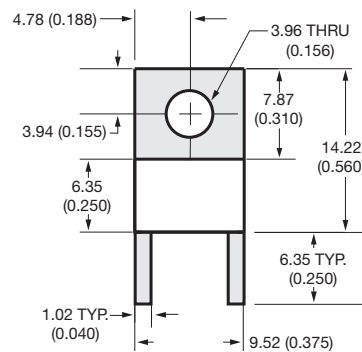
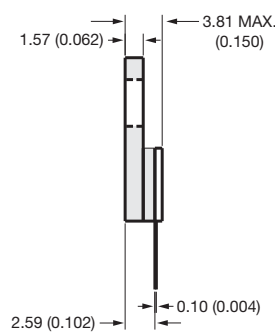
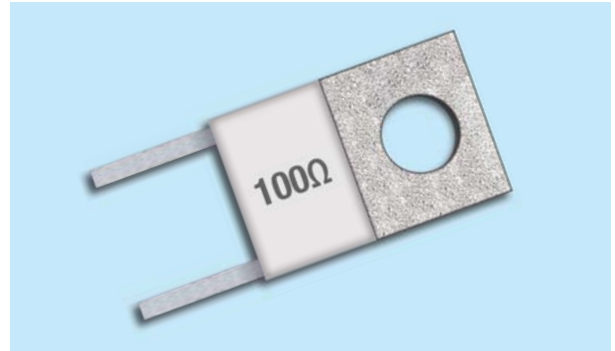
**Operating Temperature Range:**  $-55^{\circ}\text{C}$  to  $+150^{\circ}\text{C}$

**Temperature Coefficient:**  $<150$  ppm/ $^{\circ}\text{C}$

**Tabs:** Silver

**RoHS Compliant**

**Non-Magnetic available**



mm (inches)

### FLANGE MOUNT RESISTOR – P/N: RP60800RXXXXJNBK

#### ELECTRICAL SPECIFICATIONS

**Resistance:** 50 and 100  $\Omega$  standard  
(other resistance values available)

**Resistive Tolerance:**  $\pm 5\%$  standard ( $\pm 2\%$  available)

**Power:** 100 Watts

**Capacitance:** 3.10 pF

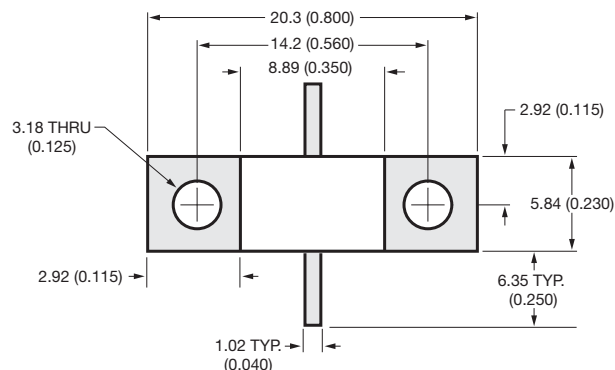
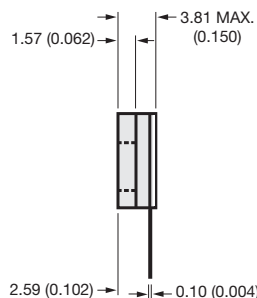
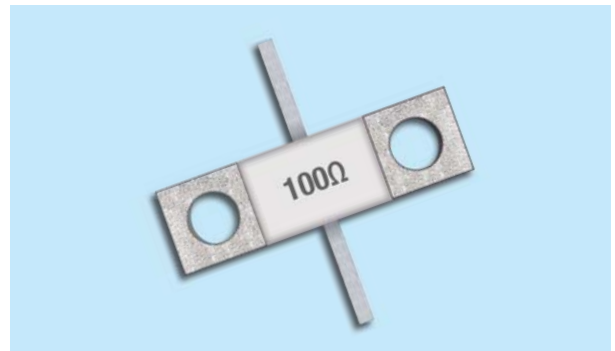
**Operating Temperature Range:**  $-55^{\circ}\text{C}$  to  $+150^{\circ}\text{C}$

**Temperature Coefficient:**  $<150$  ppm/ $^{\circ}\text{C}$

**Tabs:** Silver

**RoHS Compliant**

**Non-Magnetic available**



mm (inches)

For Part Number Code, see page 8.

## Данный компонент на территории Российской Федерации

### Вы можете приобрести в компании MosChip.

Для оперативного оформления запроса Вам необходимо перейти по данной ссылке:

<http://moschip.ru/get-element>

Вы можете разместить у нас заказ для любого Вашего проекта, будь то серийное производство или разработка единичного прибора.

В нашем ассортименте представлены ведущие мировые производители активных и пассивных электронных компонентов.

Нашей специализацией является поставка электронной компонентной базы двойного назначения, продукции таких производителей как XILINX, Intel (ex.ALTERA), Vicor, Microchip, Texas Instruments, Analog Devices, Mini-Circuits, Amphenol, Glenair.

Сотрудничество с глобальными дистрибьюторами электронных компонентов, предоставляет возможность заказывать и получать с международных складов практически любой перечень компонентов в оптимальные для Вас сроки.

На всех этапах разработки и производства наши партнеры могут получить квалифицированную поддержку опытных инженеров.

Система менеджмента качества компании отвечает требованиям в соответствии с ГОСТ Р ИСО 9001, ГОСТ РВ 0015-002 и ЭС РД 009

### Офис по работе с юридическими лицами:

105318, г.Москва, ул.Щербаковская д.3, офис 1107, 1118, ДЦ «Щербаковский»

Телефон: +7 495 668-12-70 (многоканальный)

Факс: +7 495 668-12-70 (доб.304)

E-mail: [info@moschip.ru](mailto:info@moschip.ru)

Skype отдела продаж:

moschip.ru

moschip.ru\_4

moschip.ru\_6

moschip.ru\_9