

ELCO EUROPE (A DIVISION OF AVX LTD.) CONFIDENTIAL PROPRIETARY
 THE DRAWING ON THIS PRINT AND INFORMATION THEREWITH ARE
 PROPRIETARY TO ELCO EUROPE (A DIVISION OF AVX LTD.) AND
 SHALL NOT BE USED OR DISCUSSED IN WHOLE OR IN PART
 WITHOUT ELCO EUROPE'S WRITTEN CONSENT.

00-9276-00X-021-X06



PREFIX _____

CODE	TYPE
00	WIRE TO BOARD CONNECTOR

SERIES _____

NO. OF WAYS _____

CODE	NO. OF WAYS	DETAILS
001	1	SHEET 2
002	2	SHEET 3
003	3	SHEET 4
004	4	SHEET 5
006	6	SHEET 6
008	8	SHEET 7

STYLE _____

CODE	CONNECTOR STYLE
0	HORIZONTAL MOUNTING

WIRE SIZE _____

CODE	WIRE GAUGE	MAX CONDUCTOR	MAX INSULATION
21	18 TO 24 AWG	1.20mm DIAMETER	2.10mm DIAMETER

INSULATOR COLOUR _____

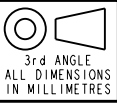
CODE	COLOUR	AVAILABILITY
0	BLACK	SPECIAL ORDER
1	WHITE	STANDARD

PLATING OPTION _____

CODE	CONTACT
06	TIN ALL OVER

FORM-106-01-056-6 ISS 7

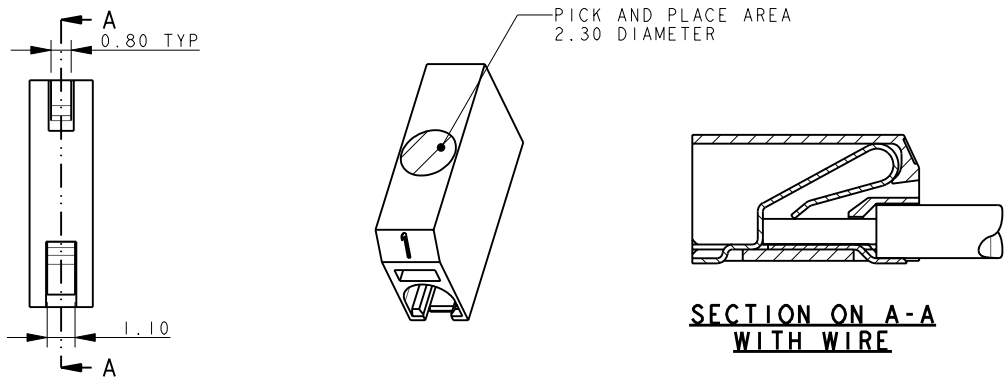
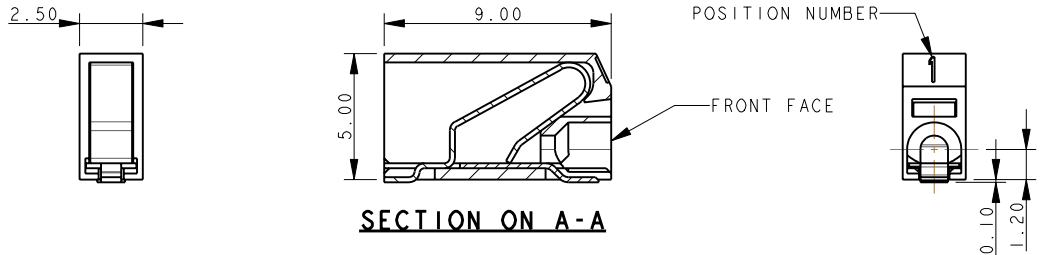
Release No.
History
102631



Drawn N.C.H.	Description 18-24 AWG WIRE TO BOARD CONNECTOR	DATE 01-Oct-09
Size CV	Part Number 00-9276-01_00S	Issue E

1 WAY WIRE TO BOARD CONNECTOR

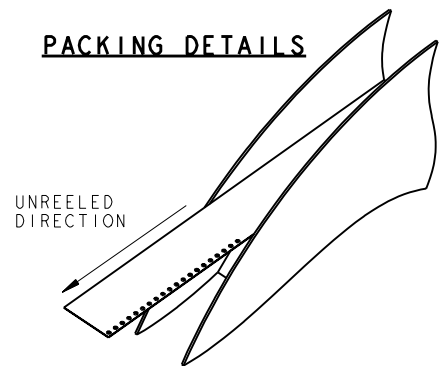
ELCO EUROPE (A DIVISION OF AVX LTD.) CONFIDENTIAL PROPRIETARY
 THE DRAWING ON THIS PRINT AND INFORMATION THEREWITH ARE
 PROPRIETARY TO ELCO EUROPE (A DIVISION OF AVX LTD.) AND
 SHALL NOT BE USED OR DISCUSSED IN WHOLE OR IN PART
 WITHOUT ELCO EUROPE'S WRITTEN CONSENT.



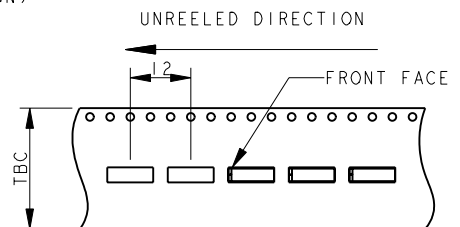
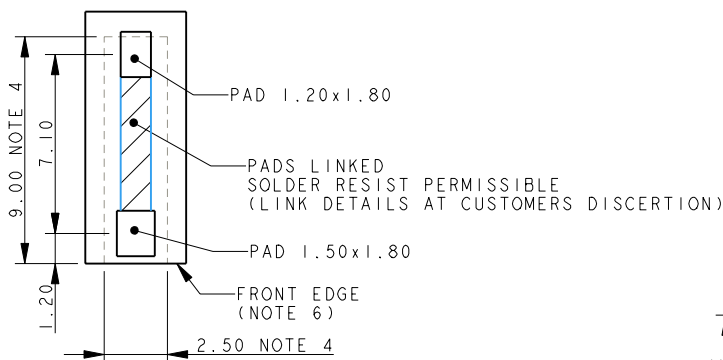
NOTES :-

1. 9276 ONE WAY CONNECTOR, REFER TO ELCO SPECIFICATION 201-01-125 FOR FURTHER DETAILS.
2. INSULATION MATERIAL :- NYLON 46, GLASS FILLED, UL94 V-0, COLOUR REFER TO SHEET 1.
3. CONTACT MATERIAL :- COPPER ALLOY, 0.20mm THICK, TIN PLATED.
4. OUTLINE OF CONNECTOR.
5. WIRE ASSEMBLY/EXTRACTION, REFER TO SHEET 8.
6. FRONT FACE OF CONNECTOR CAN BE IN LINE WITH EDGE OF PCB.
7. PACKING IN TAPE AND REEL, QUANTITY 1000 PER REEL.

PACKING DETAILS



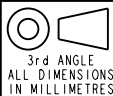
1 WAY PCB BOARD LAYOUT



ELCO EUROPE (A DIVISION OF AVX LTD.) CONFIDENTIAL PROPRIETARY
 THE DRAWING ON THIS PRINT AND INFORMATION THEREWITH ARE
 PROPRIETARY TO ELCO EUROPE (A DIVISION OF AVX LTD.) AND
 SHALL NOT BE USED OR DISCLOSED IN WHOLE OR IN PART
 WITHOUT ELCO EUROPE'S WRITTEN CONSENT.

SHEET 2 OF 8

Release No.
 History
 102631



ELCO

© COPYRIGHT ELCO EUROPE
 NOT TO BE DISCLOSED OR COPIED
 WITHOUT WRITTEN PERMISSION

Drawn
 N.C.H.

Size
 CV

Description
 18-24 AWG WIRE TO BOARD CONNECTOR

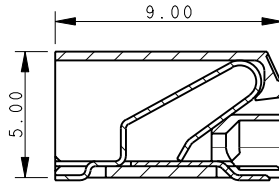
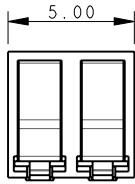
Part Number
 00-9276-01_000S

DATE
 13-Nov-09

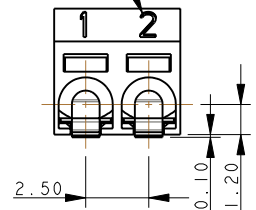
Issue
 E

2 WAY WIRE TO BOARD CONNECTOR

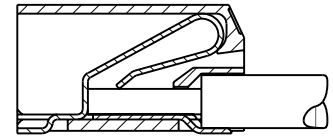
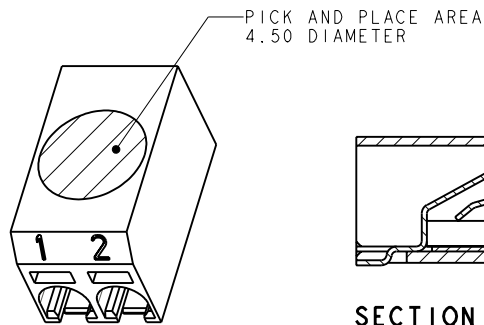
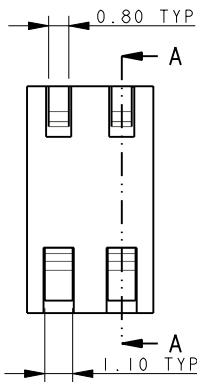
ELCO EUROPE (A DIVISION OF AVX LTD.) CONFIDENTIAL PROPRIETARY
 THE DRAWING ON THIS PRINT AND INFORMATION THEREWITH ARE
 PROPRIETARY TO ELCO EUROPE (A DIVISION OF AVX LTD.) AND
 SHALL NOT BE USED OR DISCUSSED IN WHOLE OR IN PART
 WITHOUT ELCO EUROPE'S WRITTEN CONSENT.



POSITION NUMBER



SECTION ON A-A

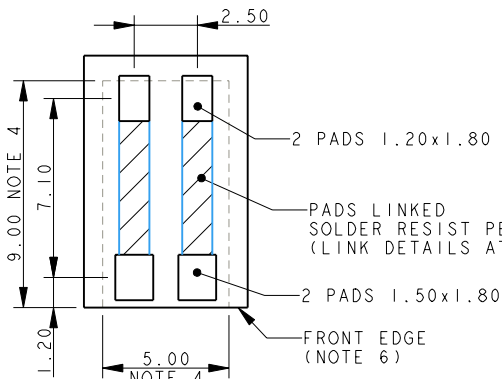


**SECTION ON A-A
WITH WIRE**

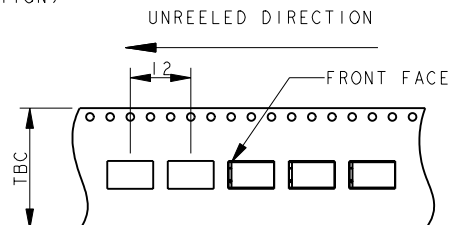
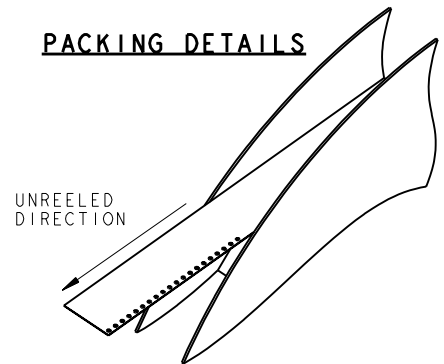
NOTES :-

1. 9276 TWO WAY CONNECTOR, REFER TO ELCO SPECIFICATION 201-01-125 FOR FURTHER DETAILS.
2. INSULATION MATERIAL :- NYLON 46, GLASS FILLED, UL94 V-0, COLOUR REFER TO SHEET 1.
3. CONTACT MATERIAL :- COPPER ALLOY, 0.20mm THICK, TIN PLATED.
4. OUTLINE OF CONNECTOR.
5. WIRE ASSEMBLY/EXTRACTION, REFER TO SHEET 8.
6. FRONT FACE OF CONNECTOR CAN BE IN LINE WITH EDGE OF PCB.
7. PACKING IN TAPE AND REEL, QUANTITY 1000 PER REEL.

2 WAY PCB BOARD LAYOUT



PACKING DETAILS



ELCO EUROPE (A DIVISION OF AVX LTD.) CONFIDENTIAL PROPRIETARY
 THE DRAWING ON THIS PRINT AND INFORMATION THEREWITH ARE
 PROPRIETARY TO ELCO EUROPE (A DIVISION OF AVX LTD.) AND
 SHALL NOT BE USED OR DISCLOSED IN WHOLE OR IN PART
 WITHOUT ELCO EUROPE'S WRITTEN CONSENT.

SHEET 3 OF 8

Release No.
History
102631

3rd ANGLE
ALL DIMENSIONS
IN MILLIMETRES

ELCO

© COPYRIGHT ELCO EUROPE
 NOT TO BE DISCLOSED OR COPIED
 WITHOUT WRITTEN PERMISSION

Drawn
N.C.H.

Size
CV

Description
18-24 AWG WIRE TO BOARD CONNECTOR

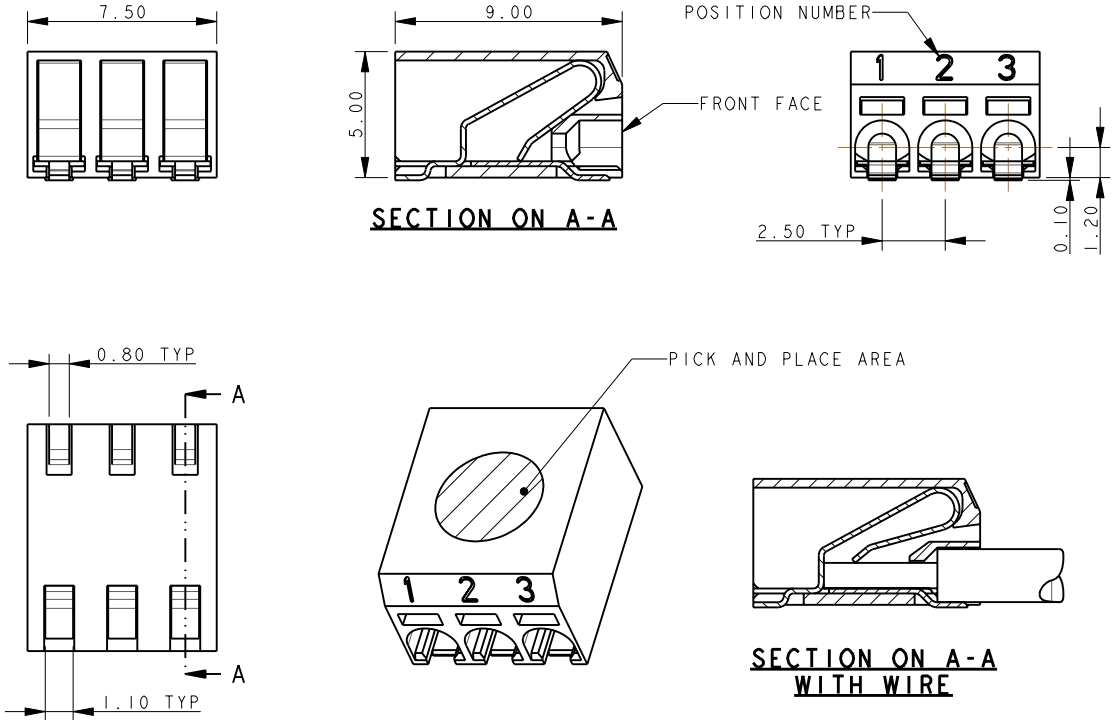
Part Number
00-9276-01_000S

DATE
13-Nov-09

Issue
E

3 WAY WIRE TO BOARD CONNECTOR

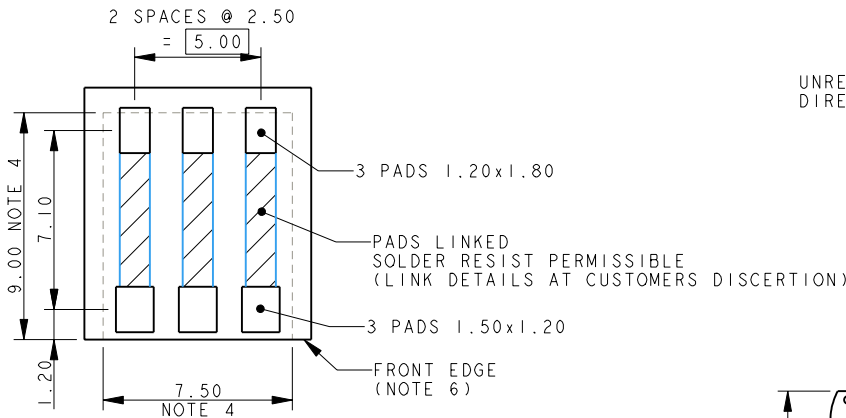
ELCO EUROPE (A DIVISION OF AVX LTD.) CONFIDENTIAL PROPRIETARY
 THE DRAWING ON THIS PRINT AND INFORMATION THEREWITH ARE
 PROPRIETARY TO ELCO EUROPE (A DIVISION OF AVX LTD.) AND
 SHALL NOT BE USED OR DISCUSSED IN WHOLE OR IN PART
 WITHOUT ELCO EUROPE'S WRITTEN CONSENT.



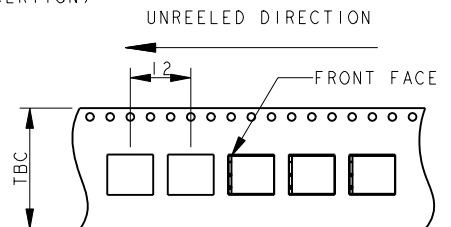
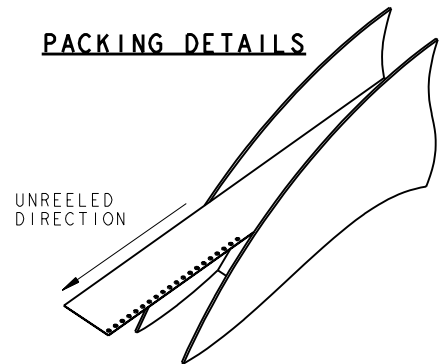
NOTES :-

1. 9276 THREE WAY CONNECTOR, REFER TO ELCO SPECIFICATION 201-01-125 FOR FURTHER DETAILS.
2. INSULATION MATERIAL :- NYLON 46, GLASS FILLED, UL94 V-0, COLOUR REFER TO SHEET 1.
3. CONTACT MATERIAL :- COPPER ALLOY, 0.20mm THICK, TIN PLATED.
4. OUTLINE OF CONNECTOR.
5. WIRE ASSEMBLY/EXTRACTION, REFER TO SHEET 8.
6. FRONT FACE OF CONNECTOR CAN BE IN LINE WITH EDGE OF PCB.
7. PACKING IN TAPE AND REEL, QUANTITY 1000 PER REEL.

3 WAY PCB BOARD LAYOUT



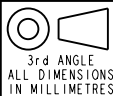
PACKING DETAILS



ELCO EUROPE (A DIVISION OF AVX LTD.) CONFIDENTIAL PROPRIETARY
 THE DRAWING ON THIS PRINT AND INFORMATION THEREWITH ARE
 PROPRIETARY TO ELCO EUROPE (A DIVISION OF AVX LTD.) AND
 SHALL NOT BE USED OR DISCUSSED IN WHOLE OR IN PART
 WITHOUT ELCO EUROPE'S WRITTEN CONSENT.

SHEET 4 OF 8

Release No.
 History
 102631



ELCO

© COPYRIGHT ELCO EUROPE
 NOT TO BE DISCLOSED OR COPIED
 WITHOUT WRITTEN PERMISSION

Drawn
 N.C.H.

Size
 CV

Description
 18-24 AWG WIRE TO BOARD CONNECTOR

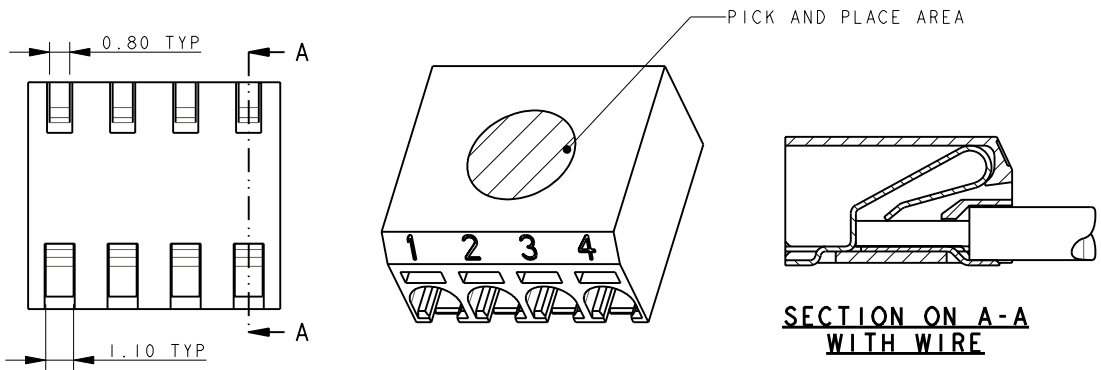
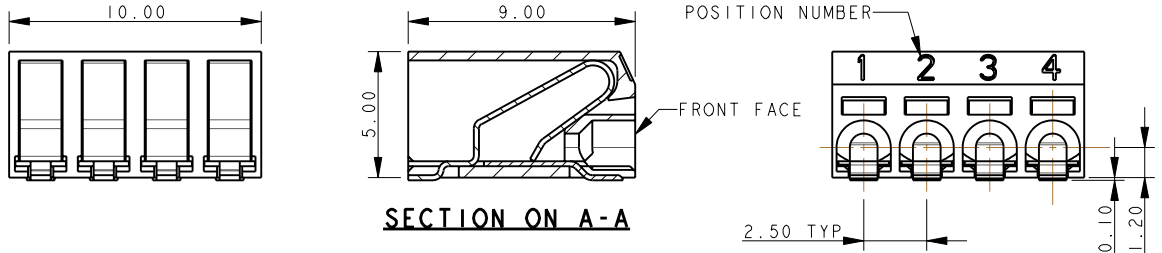
Part Number
 00-9276-01_000S

DATE
 13-Nov-09

Issue
 E

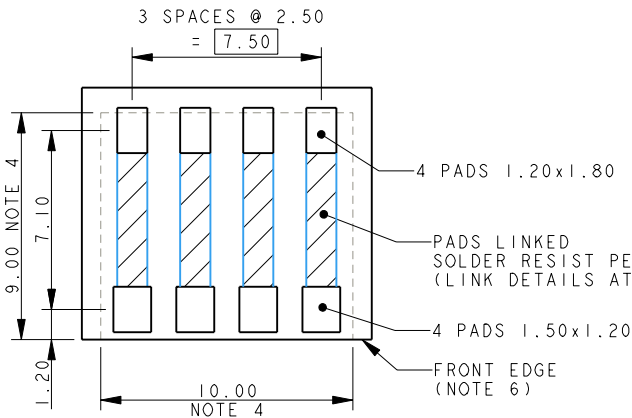
4 WAY WIRE TO BOARD CONNECTOR

ELCO EUROPE (A DIVISION OF AVX LTD.) CONFIDENTIAL PROPRIETARY
 THE DRAWING ON THIS PRINT AND INFORMATION THEREWITH ARE
 PROPRIETARY TO ELCO EUROPE (A DIVISION OF AVX LTD.) AND
 SHALL NOT BE USED OR DISCUSSED IN WHOLE OR IN PART
 WITHOUT ELCO EUROPE'S WRITTEN CONSENT.

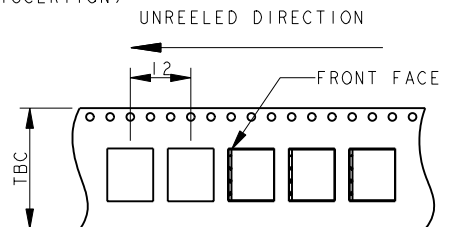
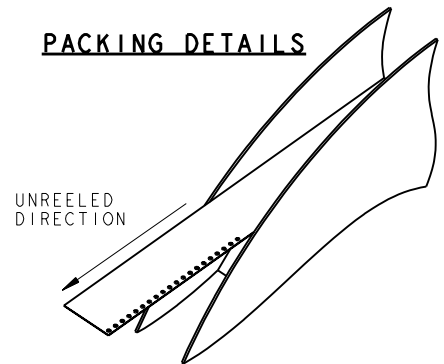


- NOTES :-
1. 9276 FOUR WAY CONNECTOR, REFER TO ELCO SPECIFICATION 201-01-125 FOR FURTHER DETAILS.
 2. INSULATION MATERIAL :- NYLON 46, GLASS FILLED, UL94 V-0, COLOUR REFER TO SHEET 1.
 3. CONTACT MATERIAL :- COPPER ALLOY, 0.20mm THICK, TIN PLATED.
 4. OUTLINE OF CONNECTOR.
 5. WIRE ASSEMBLY/EXTRACTION, REFER TO SHEET 8.
 6. FRONT FACE OF CONNECTOR CAN BE IN LINE WITH EDGE OF PCB.
 7. PACKING IN TAPE AND REEL, QUANTITY 1000 PER REEL.

4 WAY PCB BOARD LAYOUT



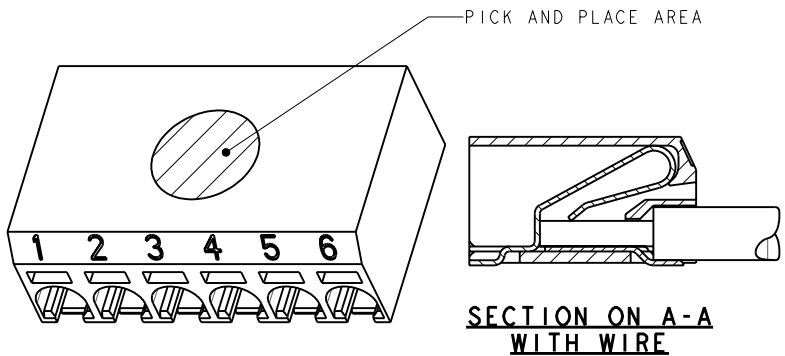
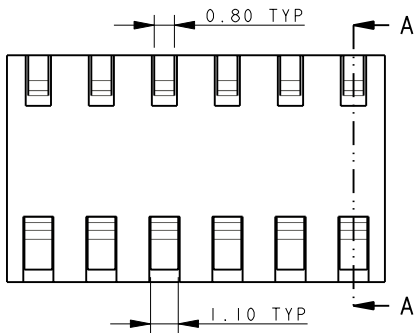
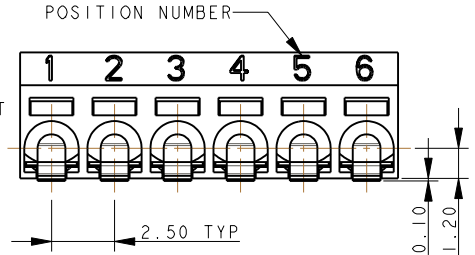
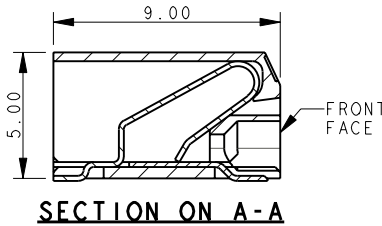
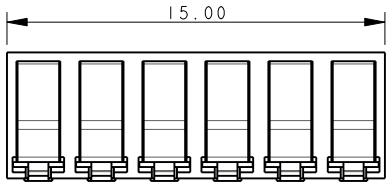
PACKING DETAILS



ELCO EUROPE (A DIVISION OF AVX LTD.) CONFIDENTIAL PROPRIETARY
 THE DRAWING ON THIS PRINT AND INFORMATION THEREWITH ARE
 PROPRIETARY TO ELCO EUROPE (A DIVISION OF AVX LTD.) AND
 SHALL NOT BE USED OR DISCLOSED IN WHOLE OR IN PART
 WITHOUT ELCO EUROPE'S WRITTEN CONSENT.

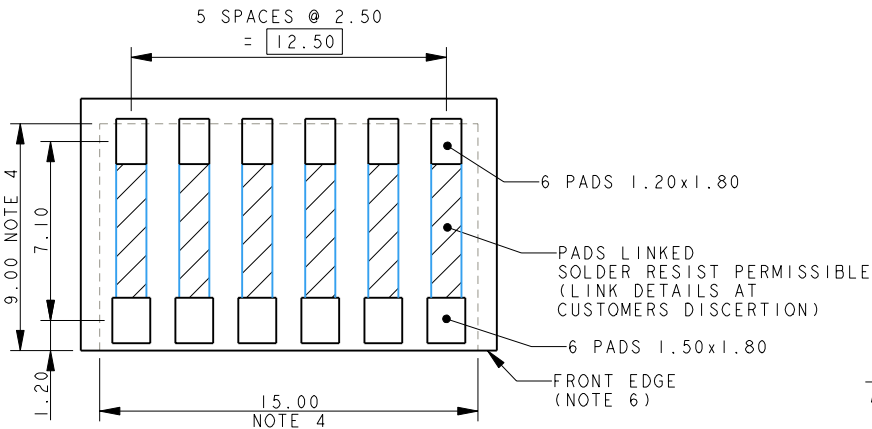
6 WAY WIRE TO BOARD CONNECTOR

ELCO EUROPE (A DIVISION OF AVX LTD.) CONFIDENTIAL PROPRIETARY
 THE DRAWING ON THIS PRINT AND INFORMATION THEREWITH ARE
 PROPRIETARY TO ELCO EUROPE (A DIVISION OF AVX LTD.) AND
 SHALL NOT BE USED OR DISCUSSED IN WHOLE OR IN PART
 WITHOUT ELCO EUROPE'S WRITTEN CONSENT.

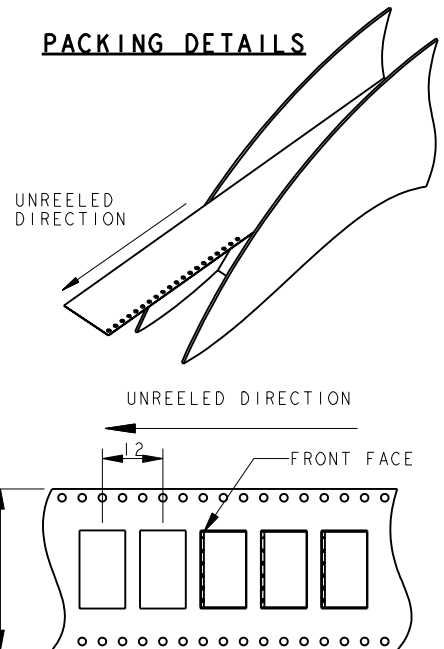


- NOTES :-
1. 9276 SIX WAY CONNECTOR, REFER TO ELCO SPECIFICATION 201-01-125 FOR FURTHER DETAILS.
 2. INSULATION MATERIAL :- NYLON 46, GLASS FILLED, UL94 V-0, COLOUR REFER TO SHEET 1.
 3. CONTACT MATERIAL :- COPPER ALLOY, 0.20mm THICK, TIN PLATED.
 4. OUTLINE OF CONNECTOR.
 5. WIRE ASSEMBLY/EXTRACTION, REFER TO SHEET 8.
 6. FRONT FACE OF CONNECTOR CAN BE IN LINE WITH EDGE OF PCB.
 7. PACKING IN TAPE AND REEL, QUANTITY 1000 PER REEL.

6 WAY PCB BOARD LAYOUT



PACKING DETAILS



ELCO EUROPE (A DIVISION OF AVX LTD.) CONFIDENTIAL PROPRIETARY
 THE DRAWING ON THIS PRINT AND INFORMATION THEREWITH ARE
 PROPRIETARY TO ELCO EUROPE (A DIVISION OF AVX LTD.) AND
 SHALL NOT BE USED OR DISCLOSED IN WHOLE OR IN PART
 WITHOUT ELCO EUROPE'S WRITTEN CONSENT.

SHEET 6 OF 8

Release No.
History
102631

3rd ANGLE
ALL DIMENSIONS
IN MILLIMETRES

ELCO

© COPYRIGHT ELCO EUROPE
 NOT TO BE DISCLOSED OR COPIED
 WITHOUT WRITTEN PERMISSION

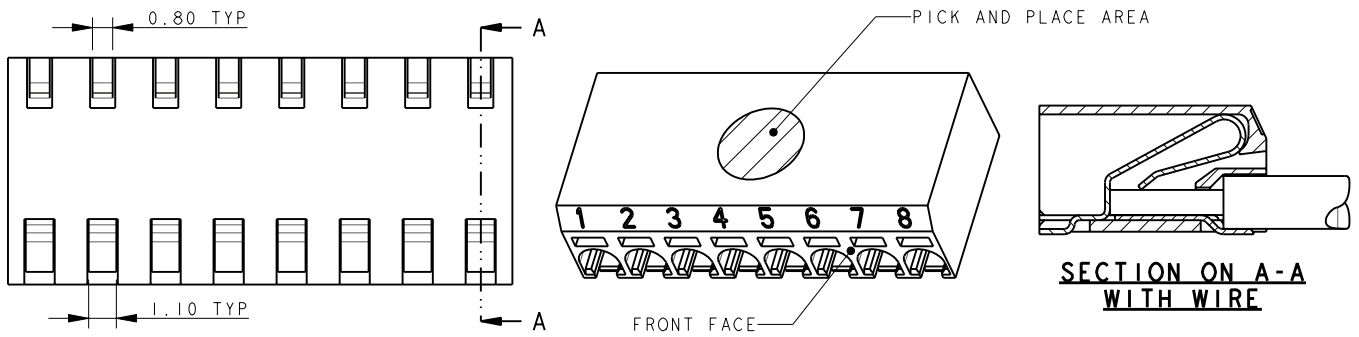
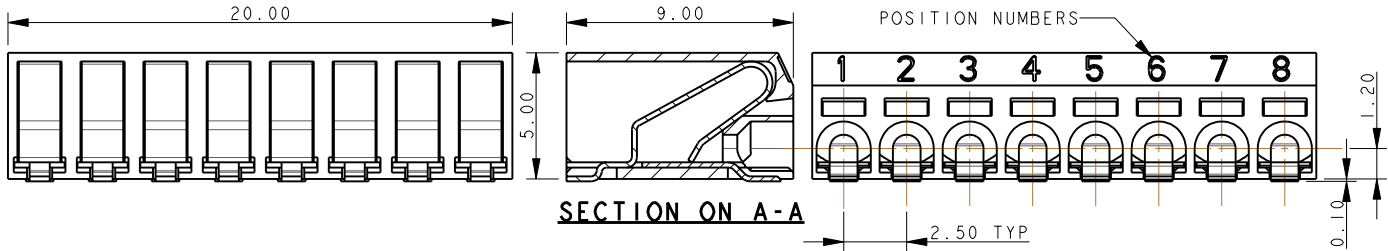
Drawn
N.C.H.
Size
CV

Description
18-24 AWG WIRE TO BOARD CONNECTOR
Part Number
00-9276-01_000S

DATE
13-Nov-09
Issue
E

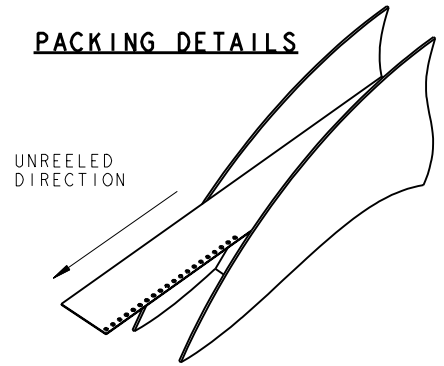
8 WAY WIRE TO BOARD CONNECTOR

ELCO EUROPE (A DIVISION OF AVX LTD.) CONFIDENTIAL PROPRIETARY
 THE DRAWING ON THIS PRINT AND INFORMATION THEREWITH ARE
 PROPRIETARY TO ELCO EUROPE (A DIVISION OF AVX LTD.) AND
 SHALL NOT BE USED OR DISCUSSED IN WHOLE OR IN PART
 WITHOUT ELCO EUROPE'S WRITTEN CONSENT.

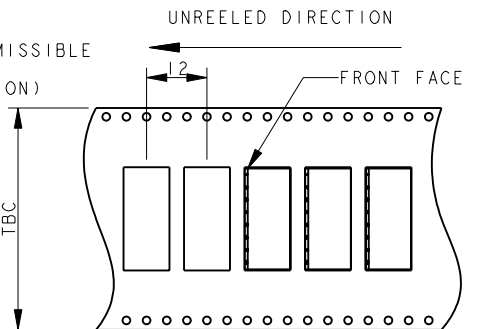
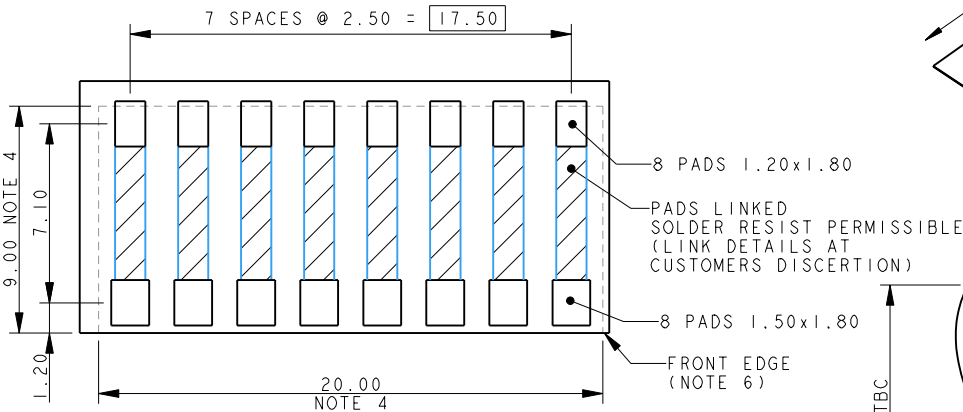


- NOTES :-
1. 9276 EIGHT WAY CONNECTOR, REFER TO ELCO SPECIFICATION 201-01-125 FOR FURTHER DETAILS.
 2. INSULATION MATERIAL :- NYLON 46, GLASS FILLED, UL94 V-0, COLOUR REFER TO SHEET 1.
 3. CONTACT MATERIAL :- COPPER ALLOY, 0.20mm THICK, TIN PLATED.
 4. OUTLINE OF CONNECTOR.
 5. WIRE ASSEMBLY/EXTRACTION, REFER TO SHEET 8.
 6. FRONT FACE OF CONNECTOR CAN BE IN LINE WITH EDGE OF PCB.
 7. PACKING IN TAPE AND REEL, QUANTITY 1000 PER REEL.

PACKING DETAILS



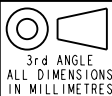
8 WAY PCB BOARD LAYOUT



ELCO EUROPE (A DIVISION OF AVX LTD.) CONFIDENTIAL PROPRIETARY
 THE DRAWING ON THIS PRINT AND INFORMATION THEREWITH ARE
 PROPRIETARY TO ELCO EUROPE (A DIVISION OF AVX LTD.) AND
 SHALL NOT BE USED OR DISCUSSED IN WHOLE OR IN PART
 WITHOUT ELCO EUROPE'S WRITTEN CONSENT.

SHEET 7 OF 8

Release No.
 History
 102631



© COPYRIGHT ELCO EUROPE
 NOT TO BE DISCLOSED OR COPIED
 WITHOUT WRITTEN PERMISSION

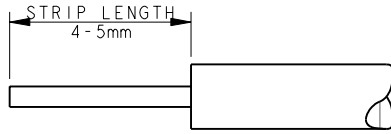
Drawn
 N.C.H.
 Size
 CV

Description
 18-24 AWG WIRE TO BOARD CONNECTOR
 Part Number
 00-9276-01_000S

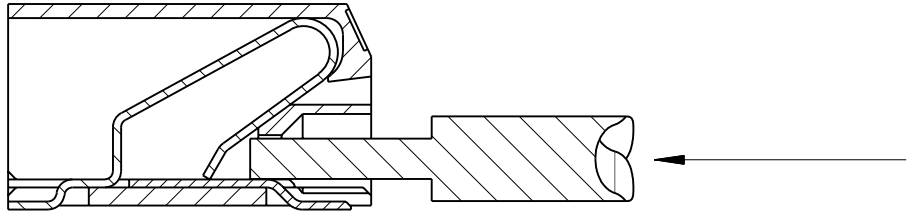
DATE
 13-Nov-09
 Issue
 E

WIRE ASSEMBLY

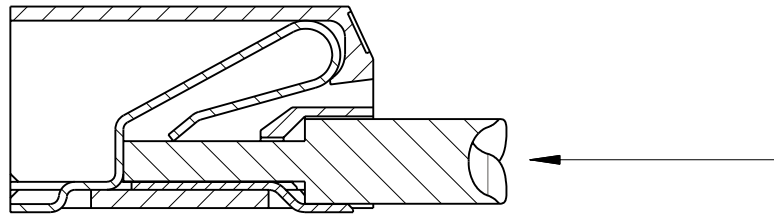
ELCO EUROPE (A DIVISION OF AVX LTD.) CONFIDENTIAL PROPRIETARY THE DRAWING ON THIS PRINT AND INFORMATION THEREWITH ARE PROPRIETARY TO ELCO EUROPE (A DIVISION OF AVX LTD.) AND SHALL NOT BE USED OR DISCUSSED IN WHOLE OR IN PART WITHOUT ELCO EUROPE'S WRITTEN CONSENT.



TRIM INSULATION.
DO NOT CRUSH CENTRE OF WIRE.
STRANDED WIRES TWISTED TOGETHER BEFORE INSETION.
CHECK ALL STRANDS OF WIRE ARE CORRECTLY ALIGNED AFTER THE INSULATION IS REMOVED.

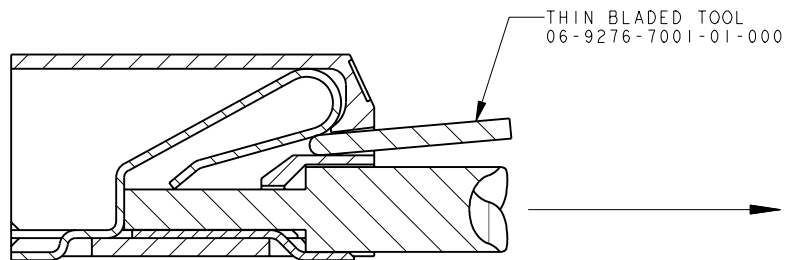


PUSH WIRE INTO HOLE IN FRONT OF CONNECTOR.
DO NOT BEND CONNECTOR.



CONTINUE TO PUSH WIRE UNTIL STOP IS REACHED.

WIRE EXTRACTION



PUSH BLADE (NOT SHARP) INTO SLOT ABOVE WIRE.
WHEN WIRE IS FREE, PULL TO EXTRACT.

ELCO EUROPE (A DIVISION OF AVX LTD.) CONFIDENTIAL PROPRIETARY THE DRAWING ON THIS PRINT AND INFORMATION THEREWITH ARE PROPRIETARY TO ELCO EUROPE (A DIVISION OF AVX LTD.) AND SHALL NOT BE USED OR DISCLOSED IN WHOLE OR IN PART WITHOUT ELCO EUROPE'S WRITTEN CONSENT.

Release No. History 102631		 3rd ANGLE ALL DIMENSIONS IN MILLIMETRES	 © COPYRIGHT ELCO EUROPE NOT TO BE DISCLOSED OR COPIED WITHOUT WRITTEN PERMISSION	Drawn N.C.H. Size CV	Description 18-24 AWG WIRE TO BOARD CONNECTOR Part Number 00-9276-01_000S	DATE 13-Nov-09 Issue E
----------------------------------	--	---	--	-----------------------------------	--	-------------------------------------

FORM-106-01-056-6 ISS 7

A

I

B

Mouser Electronics

Authorized Distributor

Click to View Pricing, Inventory, Delivery & Lifecycle Information:

[AVX:](#)

[00-9276001021106](#) [00-9276002021106](#) [00-9276003021106](#) [00-9276004021106](#) [00-9276006021106](#) [00-9276008021106](#) [009276004021106](#) [009276002021106](#) [009276006021106](#) [009276002021006](#) [009276003021106](#) [009276008021106](#) [009276001021106](#) [009276001021006](#) [009276003021006](#) [009276004021006](#) [009276006021006](#) [009276008021006](#)

Данный компонент на территории Российской Федерации

Вы можете приобрести в компании MosChip.

Для оперативного оформления запроса Вам необходимо перейти по данной ссылке:

<http://moschip.ru/get-element>

Вы можете разместить у нас заказ для любого Вашего проекта, будь то серийное производство или разработка единичного прибора.

В нашем ассортименте представлены ведущие мировые производители активных и пассивных электронных компонентов.

Нашей специализацией является поставка электронной компонентной базы двойного назначения, продукции таких производителей как XILINX, Intel (ex.ALTERA), Vicor, Microchip, Texas Instruments, Analog Devices, Mini-Circuits, Amphenol, Glenair.

Сотрудничество с глобальными дистрибьюторами электронных компонентов, предоставляет возможность заказывать и получать с международных складов практически любой перечень компонентов в оптимальные для Вас сроки.

На всех этапах разработки и производства наши партнеры могут получить квалифицированную поддержку опытных инженеров.

Система менеджмента качества компании отвечает требованиям в соответствии с ГОСТ Р ИСО 9001, ГОСТ РВ 0015-002 и ЭС РД 009

Офис по работе с юридическими лицами:

105318, г.Москва, ул.Щербаковская д.3, офис 1107, 1118, ДЦ «Щербаковский»

Телефон: +7 495 668-12-70 (многоканальный)

Факс: +7 495 668-12-70 (доб.304)

E-mail: info@moschip.ru

Skype отдела продаж:

moschip.ru

moschip.ru_4

moschip.ru_6

moschip.ru_9