

# Features

- Universal AC Input (85-264VAC)
- Long 7 Year Warranty
- Protections: SCP, OVP, OCP, OTP
- 100% Full Load burn-in test
- DC OK Indicator LED with Relay Contacts
- cooling by free air convection, 5000m operation
- UL, CSA & CE certified with CB Report

**RECOM**  
AC/DC Converter

## REDIN45

**45 Watt  
DIN-Rail  
Power  
Supply**



### Description

This DIN-rail mounted power supply uses high reliability components to give a long, trouble-free life. The power supply can be end mounted to save space or side mounted for use in low-profile cabinets. Relay contacts simplify DC OK monitoring and the units can be deliver 60W start-up power. The REDIN series is fully certified for industrial use and carries a 7-year warranty.

### Selection Guide

Part Number	Input Voltage Range (VAC)	Output Voltage (VDC)	Output Trimming Voltage (VDC)	Rated Current (A)	Efficiency typ. (%)	Max. Capacitive Load (µF)
REDIN45-12	85-264	12	12-15	3.75	85	18800
REDIN45-24	85-264	24	24-28	1.875	86	4700

\* add suffix /NR for versions without relay

### Specifications (measured at TA= 25°C, 230VAC, full load and after warm up)

BASIC CHARACTERISTICS				
Parameter	Condition	Min.	Typ.	Max.
Input Voltage Range	all operating conditions	85VAC		264VAC
max. Input Voltage	max. 1 second			300VAC 375VDC
Output Voltage Adjustment (Factory Setting) <sup>(1)</sup>	12Vout 24Vout		12-15VDC (12V±5%) 24-28VDC (24V±5%)	
Input Current	full load, 115VAC full load, 230VAC			1.35A 0.75A
Inrush Current	cold start at 25°C, 115VAC cold start at 25°C, 230VAC			40A 60A
No Load Power Consumption	standard (with Relay) /NR option (no Relay)			<1000mW <500mW
Leakage Current	240VAC		<1.0mA	
Start Up time	cold start, 230VAC		500ms	1000ms
Rise time	cold start, 230VAC		20ms	
Hold-up time	full load, 115VAC full load, 230VAC		20ms 50ms	
Input Frequency		47kHz		63kHz
Efficiency		see Selection Guide		
Output Ripple and Noise <sup>(2)</sup>	12Vout 24Vout		60mVp-p 75mVp-p	
Over Load	all operating conditions		140% for 5 seconds max.	
<b>Notes:</b>				
Note1:	For more details refer to Vadj. Derating Graph			
Note2:	Ripple and Noise are measured at 20MHz bandwidth by using a 12" twisted pair-wire terminated with 0.1µF & 47µF parallel capacitor.			
continued on next page				

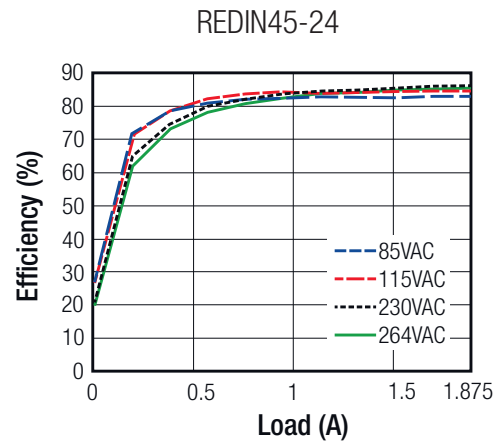
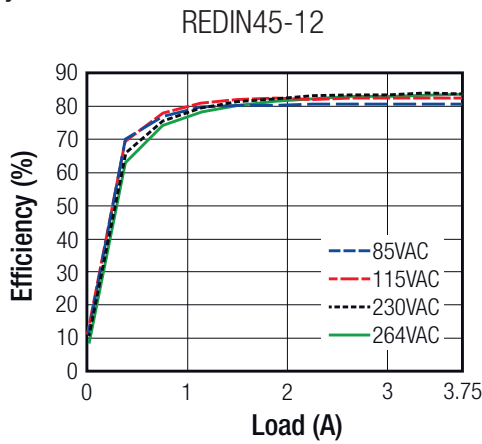


**CB-Report**  
UL-60950-1 Certified  
UL-508 Certified  
IEC-60950-1 Certified  
EN-60715 Compliant  
EN-50022 Compliant  
CSA C22.2 No. 60950-1-07 Certified

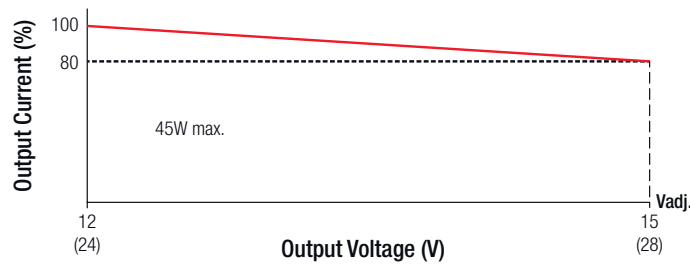
**Refer to Applications Notes**

Specifications (measured at  $T_A = 25^\circ\text{C}$ , 230VAC, full load and after warm up)

Efficiency vs. Load



Vadj. Derating



**REGULATION**

Parameter	Condition	Value
Line Regulation		$\pm 0.1$ typ. / $\pm 1\%$ max.
Load Regulation		$\pm 0.1$ typ. / $\pm 1\%$ max.
Transient Response <sup>(3)</sup>	12Vout (step load change: 1.875A - 3.75A) 24Vout (step load change: 0.937A - 1.875A)	$\pm 5\%$ typ. $\pm 5\%$ typ.
Dwell Time		100Hz & 1kHz 50% duty
Slew Rate		0.5A / $\mu\text{s}$

**Notes:**

Note3: Transient Response + E-CAP loading 3300 $\mu\text{F}$ . Other specs with resistive load only.

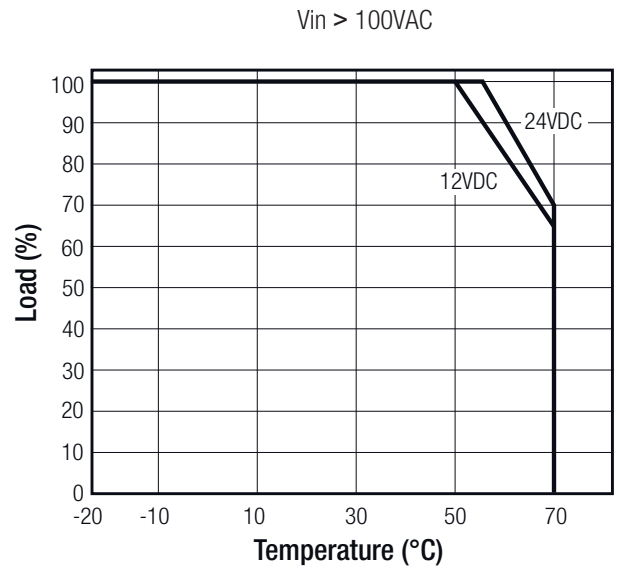
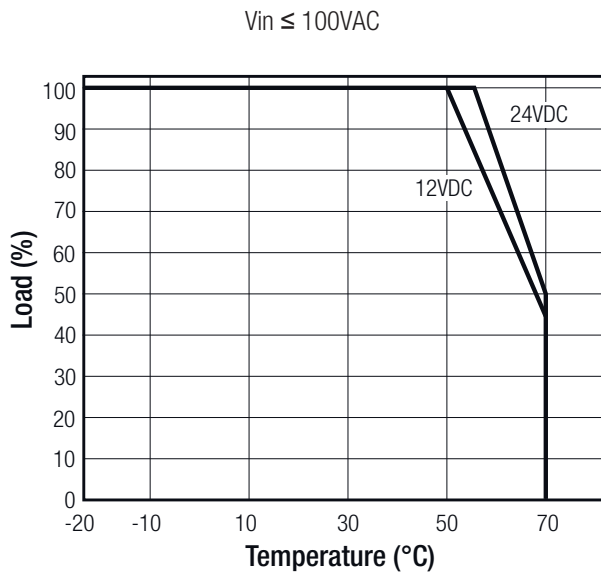
**PROTECTION**

Parameter	Condition	Value
Input Fuse		T2.5A, slow blow type
Short Circuit Protection (SCP)	Hiccup	auto-recovery after fault condition
Over Voltage Protection (OVP)	12Vout 24Vout	18VDC max., shut-down latch-off o/p voltage, re-power on to recover 35VDC max., shut-down latch-off o/p voltage, re-power on to recover
Over Current Protection (OCP)		150% typ., auto-recovery after fault condition
Over Temperature Protection (OTP)	detect on inside ambient	105 $^\circ\text{C} \pm 5\%$ , shut-down latch-off o/p voltage, re-power on to recover
Isolation Voltage	I/P to O/P	3.75kVAC / 1 minute
	I/P to FG	1.88kVAC / 1 minute
	O/P to FG	0.5kVAC / 1 minute
Isolation Resistance	500VDC, 70% RH, I/P to O/P; I/P to FG; O/P to FG	100M $\Omega$ min.
Power OK LED	Relay Contacts	1A, 30VDC / 120VAC
	LED/Relay	ON if Vout = 11-16V (12V) / 22-30V (24V)

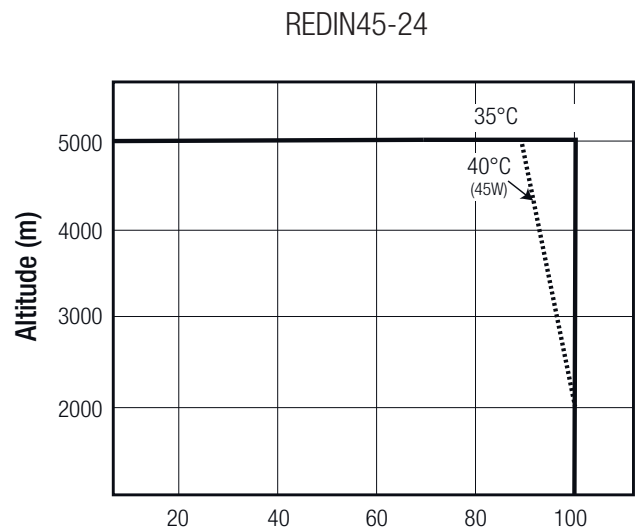
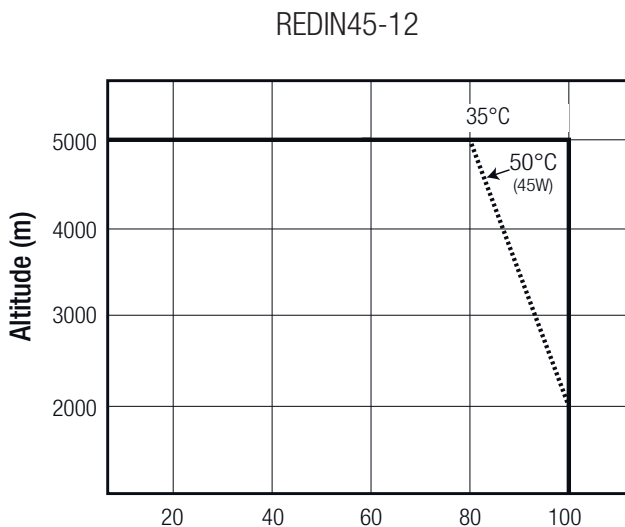
Specifications (measured at  $T_A = 25^\circ\text{C}$ , 230VAC, full load and after warm up)

ENVIRONMENTAL		
Parameter	Condition	Value
Operating Temperature Range	with derating	-20°C to +70°C (see graph)
Storage Temperature Range		-30°C to +85°C
Operating Humidity	non-condensing	20% - 90%RH
Storage Humidity		10% - 90% RH
Vibration		10-500Hz 2G, 60min.
Shock	3 times each axis	10G / 11ms, along X, Y and Z axis
Altitude	see derating graph	5000m
MTBF (+25°C)	MIL-HDBK-217F, 115VAC, 60Hz, 75% load	200 x 10 <sup>3</sup> hours
Design Lifetime (+40°C)		87.6 x 10 <sup>3</sup> hours

**Derating Graph**



**Typical Characteristics**

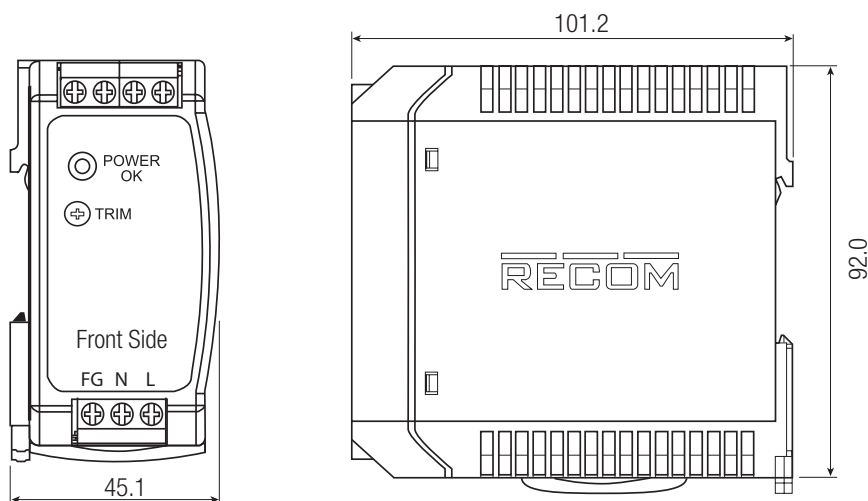


Specifications (measured at  $T_A = 25^\circ\text{C}$ , 230VAC, full load and after warm up)

SAFETY AND CERTIFICATIONS		
Certificate Type	Report / File Number	Standard
UL General Safety	E224736	UL-60950-1, 2nd Edition
CSA		UL-508 UL-1310 C22.2 No. 60950-1-07, 2nd Edition
IEC/EN General Safety	E224736	IEC/EN-60950-1, 2nd Edition
Chinese Safety Standard	E224736	GB 4943.1-2011
Certificate Type (Environmental)	Report / Condition	Standard / Criterion
EMI Standard	Report: HA150146	EN-55022, Class B
		EN-55024, Class B
		FCC15, Class B
ESD Radiated Immunity Fast Transient Surge Conducted Immunity Power frequency magnetic field immunity test Noise Immunity	R±8kV Contact & Air Discharge 10V/m, 80-300MHz, 80% AM at 1kHz Level 2  ±2kV / L-N, ±4kV / L, N-FG 10Vrms, 0.15-80MHz, 80% AM at 1kHz  40% reduction, 200ms 70% reduction, 500ms 90% reduction, 5s not applicable input below 75W	EN-61000-4-2, Criteria A EN-61000-4-3, Criteria A EN-61000-4-4, Criteria A EN-61000-4-5, Criteria A EN-61000-4-6, Criteria A EN-61000-4-8, Criteria A EN-61000-4-11, Criteria A EN-61000-4-11, Criteria B EN-61000-4-11, Criteria B
Harmonic Immunity Voltage Flicker		EN-61000-3-2 EN-61000-3-3

DIMENSIONS and PHYSICAL CHARACTERISTICS		
Parameter	Type	Value
Case Material		UL94V-0 plastic
Dimensions (WxHxD)		45.1 x 92.0 x 101.2mm
Weight		332g
Packaging Dimensions (LxWxH)	Cardboard Box	310 x 252 x 285mm
Packaging Quantity	Carton	30pcs

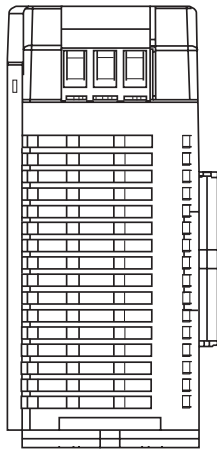
### Mechanical Dimensions



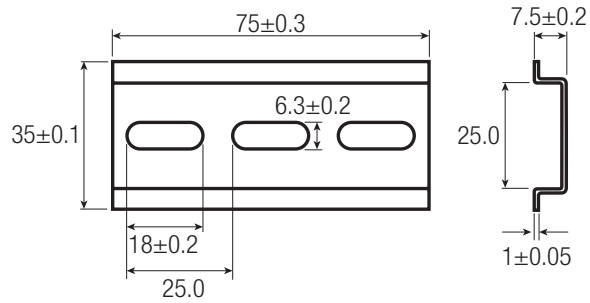
continued on next page

Specifications (measured at  $T_A = 25^\circ\text{C}$ , 230VAC, full load and after warm up)

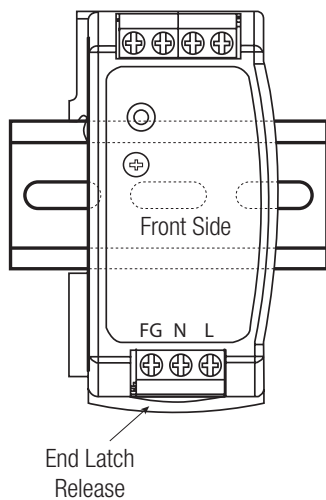
Mechanical Dimensions



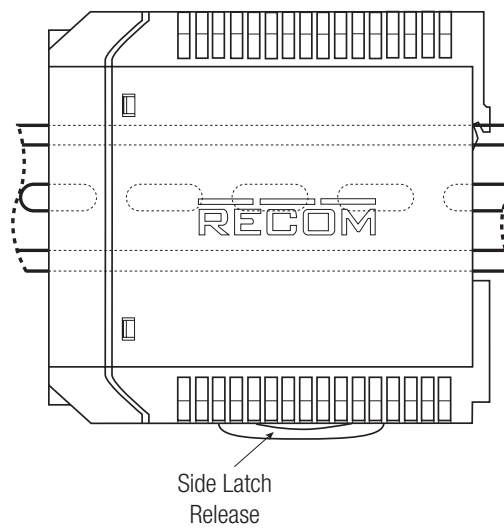
DIN-RAIL mounting bracket  
(75mm) included



END MOUNTING



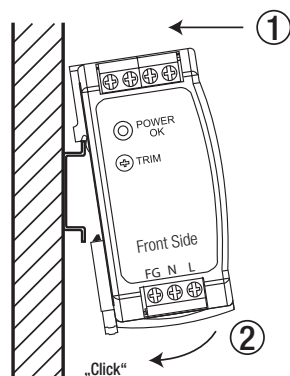
SIDE MOUNTING



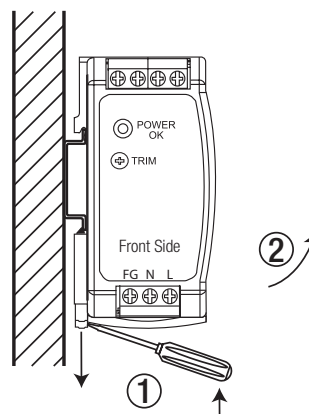
Tolerance:  $\pm 0.5\text{mm}$

Mounting Instruction

Mounting



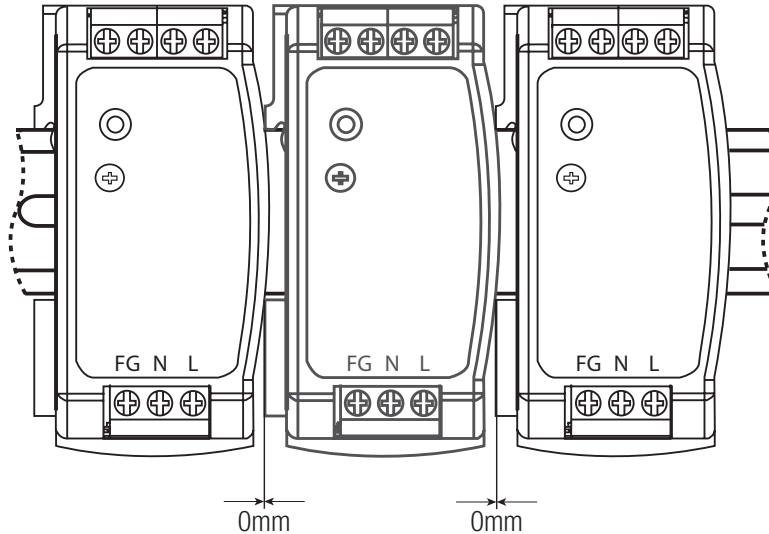
Releasing



continued on next page

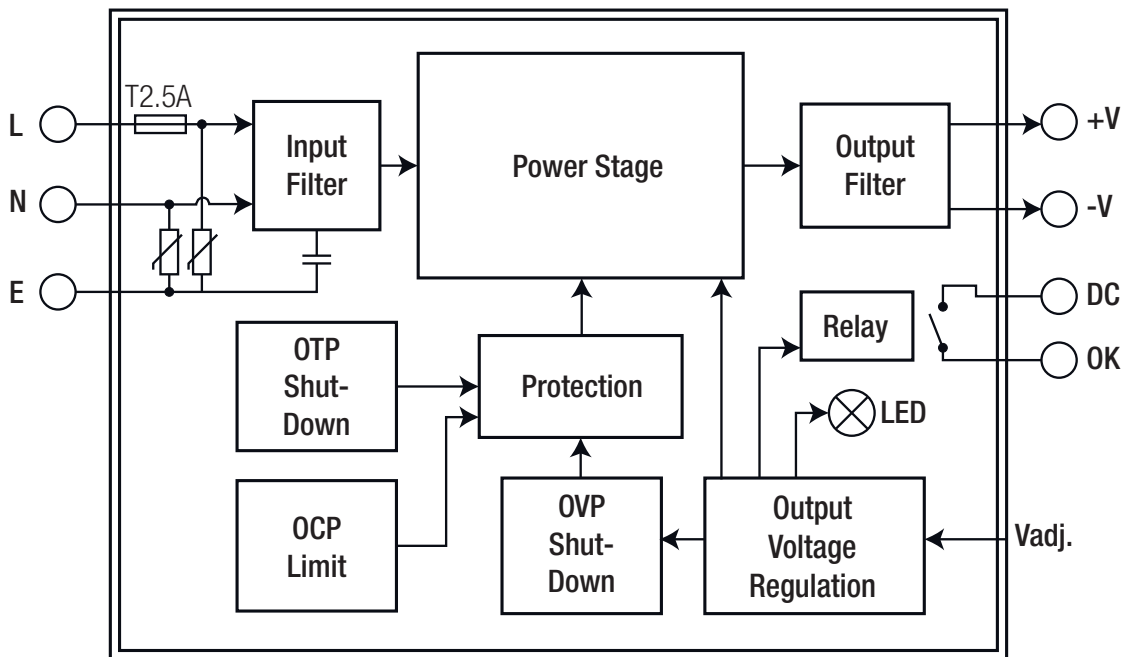
Specifications (measured at  $T_A = 25^\circ\text{C}$ , 230VAC, full load and after warm up)

### Mounting Multiple Power Supplies



no spacers between  
supplies required

### Functional Diagram



The product information and specifications are subject to change without prior notice. RECOM products are not authorized for use in safety-critical applications (such as life support) without RECOM's explicit written consent. A safety-critical application is defined as an application where a failure of a RECOM product may reasonably be expected to endanger or cause loss of life, inflict bodily harm or damage property. The buyer shall indemnify and hold harmless RECOM, its affiliated companies and its representatives against any damage claims in connection with the unauthorized use of RECOM products in such safety-critical applications.

## Данный компонент на территории Российской Федерации

### Вы можете приобрести в компании MosChip.

Для оперативного оформления запроса Вам необходимо перейти по данной ссылке:

<http://moschip.ru/get-element>

Вы можете разместить у нас заказ для любого Вашего проекта, будь то серийное производство или разработка единичного прибора.

В нашем ассортименте представлены ведущие мировые производители активных и пассивных электронных компонентов.

Нашей специализацией является поставка электронной компонентной базы двойного назначения, продукции таких производителей как XILINX, Intel (ex.ALTERA), Vicor, Microchip, Texas Instruments, Analog Devices, Mini-Circuits, Amphenol, Glenair.

Сотрудничество с глобальными дистрибьюторами электронных компонентов, предоставляет возможность заказывать и получать с международных складов практически любой перечень компонентов в оптимальные для Вас сроки.

На всех этапах разработки и производства наши партнеры могут получить квалифицированную поддержку опытных инженеров.

Система менеджмента качества компании отвечает требованиям в соответствии с ГОСТ Р ИСО 9001, ГОСТ РВ 0015-002 и ЭС РД 009

### Офис по работе с юридическими лицами:

105318, г.Москва, ул.Щербаковская д.3, офис 1107, 1118, ДЦ «Щербаковский»

Телефон: +7 495 668-12-70 (многоканальный)

Факс: +7 495 668-12-70 (доб.304)

E-mail: [info@moschip.ru](mailto:info@moschip.ru)

Skype отдела продаж:

moschip.ru

moschip.ru\_4

moschip.ru\_6

moschip.ru\_9