

Circuits from the Lab[®]
Reference Designs

Circuits from the Lab[®] reference designs are engineered and tested for quick and easy system integration to help solve today's analog, mixed-signal, and RF design challenges. For more information and/or support, visit www.analog.com/CN0368.

Devices Connected/Referenced

AD7866	Dual Channel, 1 MSPS, 12-bit, Simultaneous Sampling SAR ADC
ADA4571	Integrated AMR Angle Sensor and Signal Conditioner

Magnetostrictive Angle and Linear Position Measurements

EVALUATION AND DESIGN SUPPORT

Circuit Evaluation Boards

- [CN-0368 Circuit Evaluation Board \(EVAL-CN0368-SDPZ\)](#)
- [System Demonstration Platform \(EVAL-SDP-CB1Z\)](#)

Design and Integration Files

- [Schematics, Layout Files, Bill of Materials](#)

CIRCUIT FUNCTION AND BENEFITS

The compact two-chip circuit shown in Figure 1 provides a contactless anisotropic magnetostrictive (AMR) measurement solution ideal for either angle or linear position measurements. The two-chip system is capable of providing better than 0.2° angular accuracy over 180°, and linear accuracy of 2 mil (0.002 inch) over a 0.5 inch range, depending on the size of the magnet used.

The circuit is ideal for applications where high speed, accurate, noncontact angle and length measurements are critical, such as machine tool speed control, crane angle control, brushless dc motors, and other industrial or automotive applications.

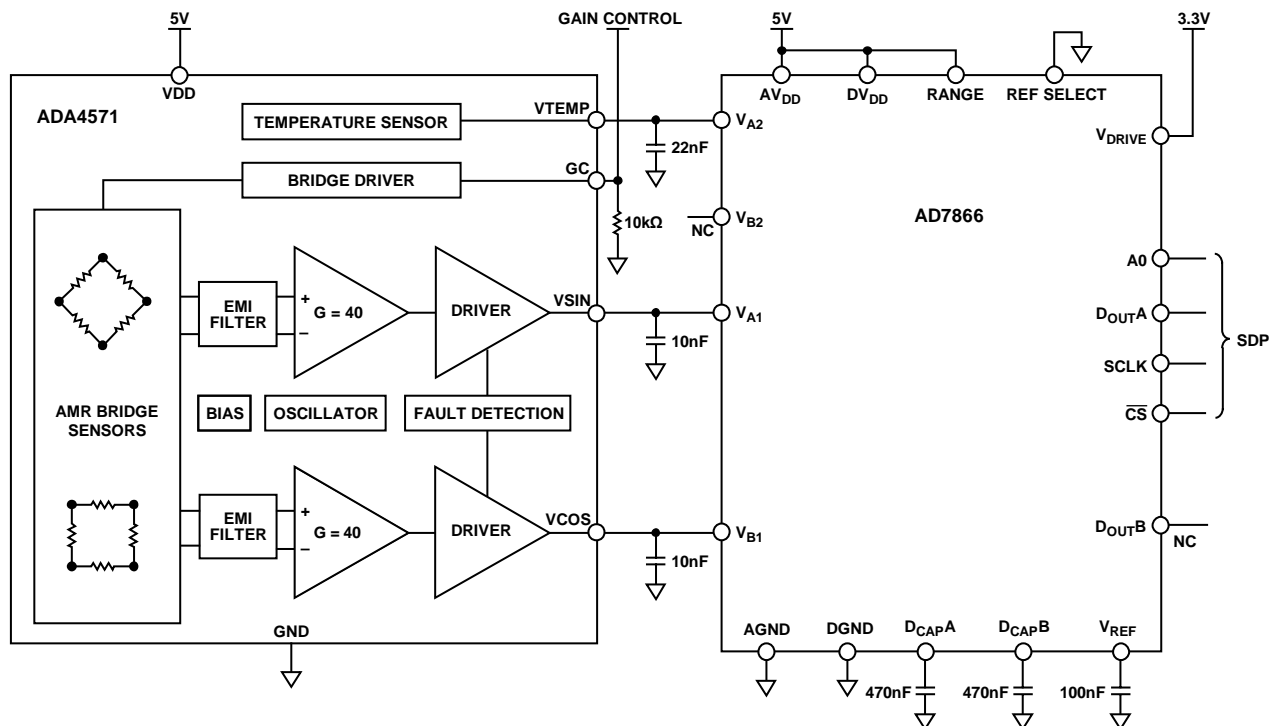


Figure 1. Magnetostrictive Angle and Linear Detection System (Simplified Schematic: Decoupling and All Connections Not Shown)

1311B-001

Rev. 0

Circuits from the Lab reference designs from Analog Devices have been designed and built by Analog Devices engineers. Standard engineering practices have been employed in the design and construction of each circuit, and their function and performance have been tested and verified in a lab environment at room temperature. However, you are solely responsible for testing the circuit and determining its suitability and applicability for your use and application. Accordingly, in no event shall Analog Devices be liable for direct, indirect, special, incidental, consequential or punitive damages due to any cause whatsoever connected to the use of any Circuits from the Lab circuits. (Continued on last page)

CIRCUIT DESCRIPTION

The [ADA4571](#) is an anisotropic magnetoresistive (AMR) sensor with integrated signal conditioning amplifiers and ADC drivers, as well as a temperature sensor for temperature compensation. The [ADA4571](#) produces two analog outputs that indicate the angular position of the surrounding magnetic field.

The [ADA4571](#) contains an AMR sensor and a fixed gain ($G = 40$ nominally) instrumentation amplifier. The [ADA4571](#) delivers clean and amplified cosine and sine output signals related to the angle of a rotating magnetic field. The output voltage range is ratiometric to the supply voltage.

The sensor contains two permalloy Wheatstone bridges, at a relative angle of 45° to one another. A rotating magnetic field in the x-y sensor plane delivers two sinusoidal output signals with the double frequency of the angle (α) between sensor and magnetic field direction. Within a homogeneous field in the x-y plane, the output signals are independent of the physical placement in the z direction (air gap).

The output voltage swing on the sine and cosine outputs is from $7\% V_{DD}$ to $93\% V_{DD}$. There are two diagnostic bands (0% to 7% of V_{DD} and 93% to 100% of V_{DD}), thereby providing broken bond wire detection for all internal connections.

The [ADA4571](#) is available in an 8-lead SOIC package.

The output impedance of the VSIN and VCOS outputs is 50Ω , and with the external 10 nF capacitors forms a 318 kHz noise filter.

The [AD7866](#) is a dual channel, simultaneous sampling, 12-bit, 1 MSPS SAR ADC. The polarity of the RANGE pin determines the analog input range and output coding. If this pin is tied to a logic high when the chip select goes low, the analog input range of the next conversion is 0 V to $2 \times V_{REF}$ (0 V to 5 V), leaving approximately 350 mV of headroom for the 0.35 V to 4.65 V signal from the [ADA4571](#) AMR sensor.

Connecting the REFSEL pin low configures the ADC to use the internal 2.5 V reference voltage. This voltage is available on the V_{REF} pin but requires a buffer before it can be used elsewhere in the system. The D_{CAPA} pin and D_{CAPB} pin are decoupled with 470 nF capacitors to ensure proper operation of the ADC.

The [AD7866](#) samples both channels of the sensor simultaneously. The digital words are normally available on D_{OUTA} and D_{OUTB} . Each data stream consists of 1 leading 0 followed by 3 status bits and then 12 bits of conversion data. However, by holding the \overline{CS} pin low for an additional 16 clock cycles, both digital words are available from one channel, D_{OUTA} . An SPI interface therefore allows access to both channels on one data line.

The inputs to each of the two ADCs in the [AD7866](#) are provided with a two-channel multiplexer. A Logic 0 on the A0 input pin allows conversions on the A1 and A2 inputs, and a Logic 1 on the A0 input pin allows conversion of the B1 and B2 inputs. The temperature sensor output from the [ADA4571](#) is connected to the B1 input of the [AD7866](#) and allows software temperature calibration of the system.

Magnetoresistive (MR) Theory

Magnetoresistivity is the ability of a material to change the value of its resistance when subjected to an external magnetic field. The most commonly used MR sensors are based on AMR technology.

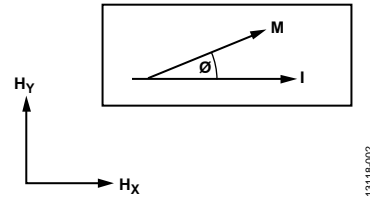


Figure 2. Anisotropic Magnetoresistive Example

Figure 2 shows an example of the AMR effect. A current (I) flowing through a conductor is subject to an external magnetic field (H_Y). The resistance of the conductor changes as a function of the angle (θ) between the magnetization vector (M) and the current flow vector (I). The magnetization vector is the net sum of the internal magnetic field (H_X) and the applied external magnetic field (H_Y).

The maximum resistance occurs when the magnetization vector (M) is parallel to the current vector (I). The minimum resistance occurs when the magnetization vector (M) is perpendicular to the current vector (I).

Effective utilization of the AMR effect requires the conductor itself to be a material insensitive to mechanical stress but sensitive to magneto-restriction. For these reasons, permalloy (80% nickel, 20% iron) is the most commonly used alloy in AMR sensor manufacturing.

Permalloy Properties

There are two properties of permalloy strips that provide design challenges when creating angular measurement systems.

First, permalloy has a narrow linear operating region (see Figure 3). Only when the angle (θ) between the magnetization vector (M) and current flow vector (I) becomes larger does the response become linear. Unfortunately, shortly after the response becomes linear, the permalloy saturates.

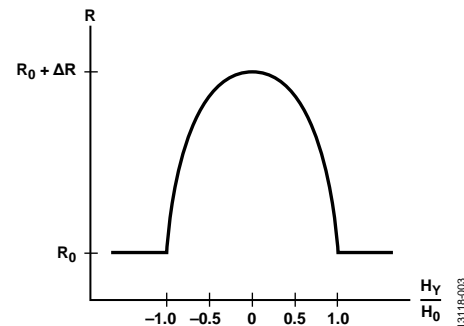


Figure 3. Permalloy Resistance vs. Magnetic Field

Secondly, permalloy is insensitive to polarity. The resistance of a permalloy strip decreases whether the angle (θ) between the magnetization vector (M) and the current flow vector (I) is positive or negative.

Barber Poles

A common method used to improve both the linearity and polar insensitivity of the permalloy strip is to add aluminum stripes angled at 45° to the strip axis called barber poles, as shown in Figure 4. Any current flowing between barber poles takes the shortest path, the perpendicular path, and the angle between the current flow vector (I) and magnetization vector (M) shifts by 45°.

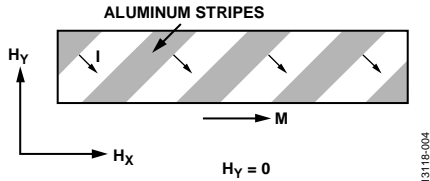


Figure 4. Barber Pole Effect in a Permalloy Strip

Figure 5 shows the result of adding barber poles to a permalloy strip. The current flow vector shifts by 45°, but the magnetization vector remains unchanged. Note the linear behavior now present in the middle of the graph.

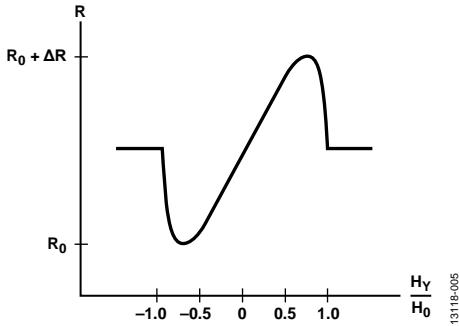


Figure 5. Barber Pole Permalloy Resistance vs. Magnetic Field

Magnetic Field Strength

A minimum magnetic field strength of 25 kA/m is needed to ensure that the ADA4571 datasheet specifications are met. This stimulating magnetic field must intersect the center of the sensing element within the ADA4571 package.

When selecting a magnet, consider the air gap between the sensor and the magnet, as shown in Figure 6. If the magnet is not in close proximity to the sensor (the distance, d, is very large), a stronger or larger magnet may be necessary to ensure that the minimum magnetic field strength requirements are met.

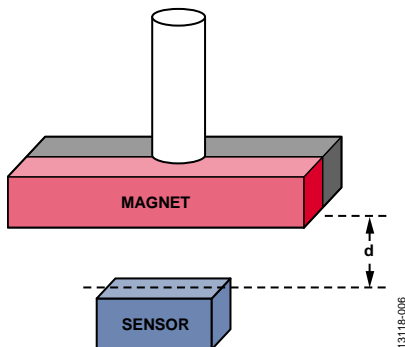


Figure 6. Magnet Orientation and Air Gap for Rotating Shaft Angle Measurement

Sensor Basics

The standard AMR sensor consists of two Wheatstone bridges, with one bridge at a relative angle of 45° with respect to the other, as shown in Figure 7.

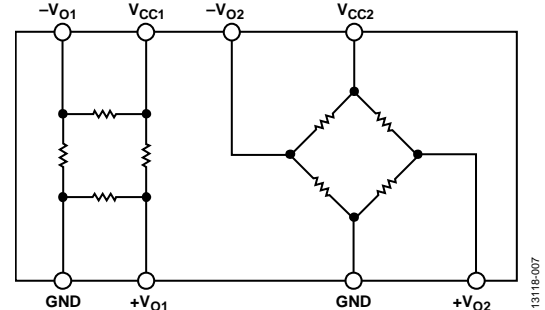


Figure 7. ADA4571 Dual Wheatstone Bridge Configuration

A rotating magnetic field produces the sin(2θ) and cos(2θ) outputs seen in Figure 8. Both signals are periodic over a 180° range, making the detection of full 360° measurements impossible without additional components or a reference point.

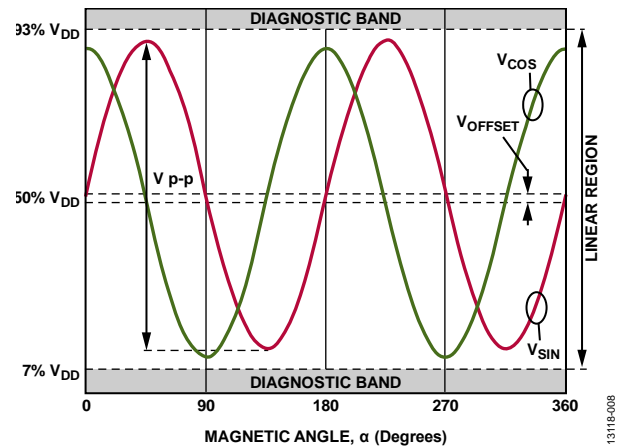


Figure 8. Magnetostrictive Sensor Output Voltages

Channel Sensitivity

The ADA4571 sensor has a nominal sensitivity of 52 mV/° for each channel, which means that each degree of change between the magnetization vector and the sensor orientation produces an output voltage change of 52 mV. The sensitivity is not constant with respect to the angle. The areas of decreased sensitivity are the portions of each output where the slope of the line approaches zero.

Referring to Figure 8, the cosine output (green) loses sensitivity as the magnetization vector angle nears 0°, 90°, 180°, or 270°. Similarly, the sine output (red) loses sensitivity around 45°, 135°, 225°, and 315°. Fortunately, when one channel has reduced sensitivity, the other channel is in a region of high sensitivity.

System Bandwidth, Magnetic Field Rotation

The angular velocity of the magnetic field is an important component in understanding the bandwidth of the circuit. The ADC converts one sample every microsecond. To achieve a resolution of 1°, the magnetic field can only move 1° in 1 ms (2.778 kHz); otherwise, the ADC cannot sample fast enough to keep up with the magnetic field. This limitation sets the maximum useable angular velocity of the magnetic field at 2.778 kHz for a 1 MSPS ADC.

Rotational Measurement Test Results

A diametrically oriented N42 magnet (diameter = 0.5 inch, thickness = 0.125 inch) is attached to the end of a metal rod. A precision dc motor allows fine angular control of the rod. The sensor is mounted precisely with respect to the face of the magnet. The air gap is set at 2 mm. Results are largely independent of the air gap as long as the magnetic stimulus fully saturates the sensor.

The motor turning creates a rotating magnetic field intersecting the sensor, which creates a repeatable sine and cosine output voltage suitable for angle calculations and data collection.

Figure 9 is a functional diagram of the setup. Figure 10 is a photo of the setup used for collecting data in an end of shaft configuration. The setup consists of a brushless dc motor, physical mount, magnet, and PCB with corresponding ADA4571 sensor.

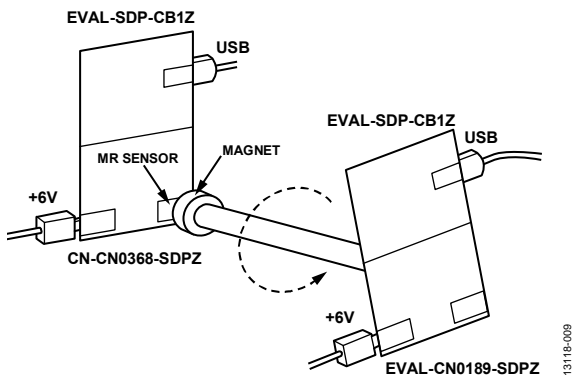


Figure 9. Data Collection Test Setup—End of Shaft Configuration

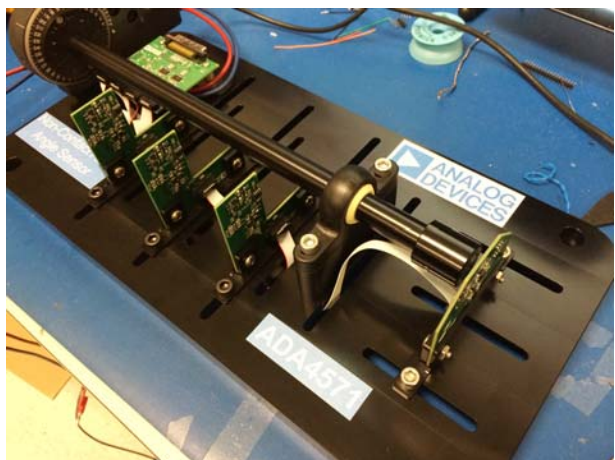


Figure 10. Photo of Bench Test Setup with Brushless DC Motor

Figure 11 compares the mechanical angle of the motor and the calculated magnetic field angle of the sensor through several rotations of the magnet. This calculation utilizes the arctangent function of the ratio of the two outputs. The errors approach ±1° with no calibration.

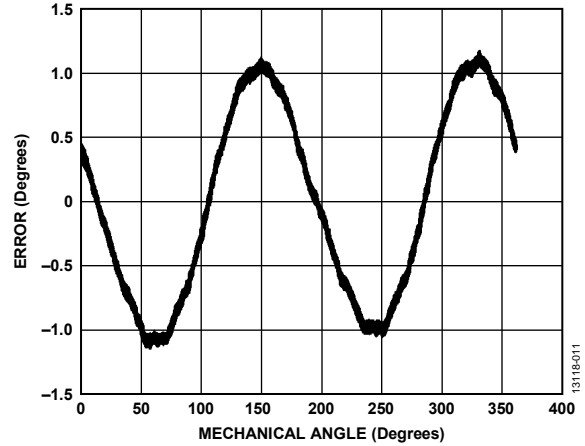


Figure 11. Angular Error Versus Mechanical Angle Before Offset Correction

Figure 12 shows the error with only an offset correction. No additional adjustments to correct for sine and cosine amplitude mismatch, nonlinearity, or orthogonality is required. The offsets are determined using the peak-to-peak or mean value of each channel as it passes through the entire mechanical revolution. The offset is subtracted from the respective channels to give a linear sensor response. The maximum error approaches ±0.2°, while the majority of the range has an error of less than ±0.1°.

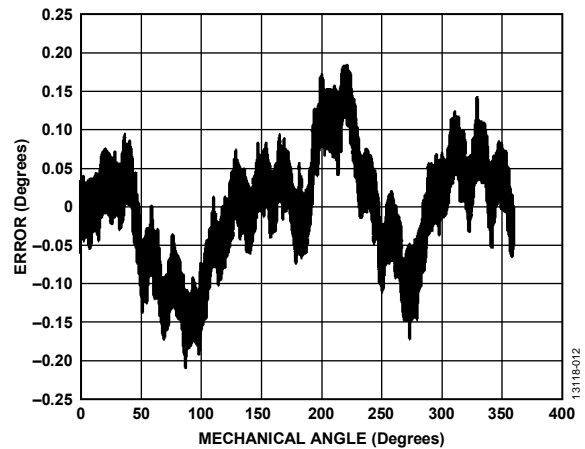


Figure 12. Angular Error vs. Mechanical Angle After Correcting Only for Offset

Linear Position Test Results

Very few changes are required to create an incremental linear position measurement system. Replace the magnet with a multipole bar magnet consisting of a series of alternating north and south poles, as shown in Figure 13.

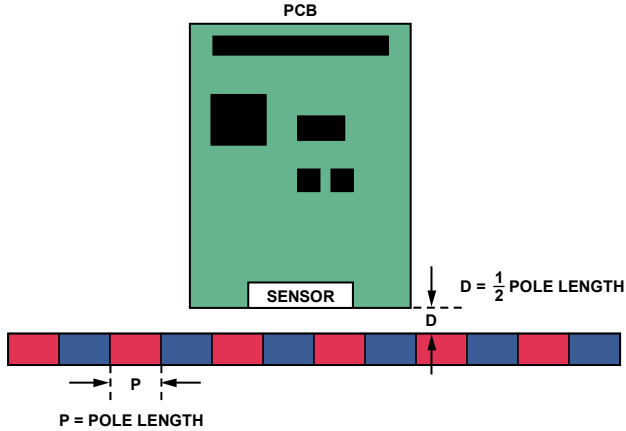


Figure 13. Linear Position Measurement Magnet, PCB, and Sensor

As the sensor moves parallel to the magnet, it detects the magnetic field, which rotates 180° for every pole length travelled. The pole length of the magnet (P) and the angular accuracy of the sensor ($\Delta\theta = 0.05^\circ$) determine the theoretical accuracy (Δx).

$$\Delta x = P \times \Delta\theta / 180^\circ$$

This method provides an absolute measurement system for only one pole length. If the magnet has more than one pole, counting the number of poles passed provides a more accurate reading. The ideal distance between the sensor and magnet is one-half the pole length of the magnet.

The EVAL-CN0368-SDPZ PCB is tested by mounting a magnet to the arm of a digital caliper. The EVAL-CN0368-SDPZ PCB sits in position with the face of the ADA4571 AMR sensor (U5) perpendicular to the face of the magnet. As the magnet moves, the caliper displays the distance travelled accurate to 0.0005 inch. Simultaneously, the magnetic field lines intersect the sensor and provide a useable output voltage. Figure 14 is a diagram of the setup, and Figure 15 is a photo of the setup.

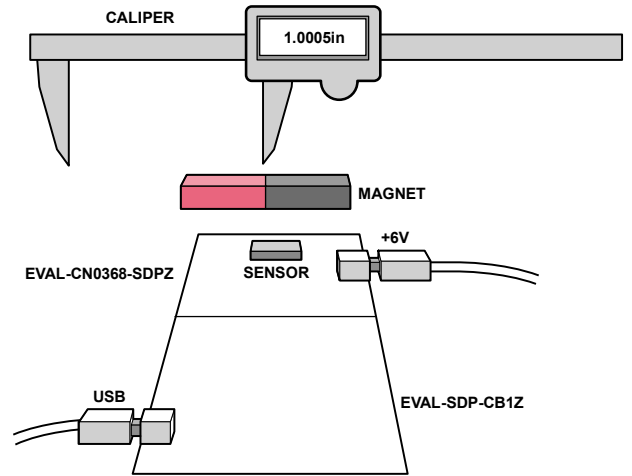


Figure 14. Data Collection Test Setup for Linear Measurement

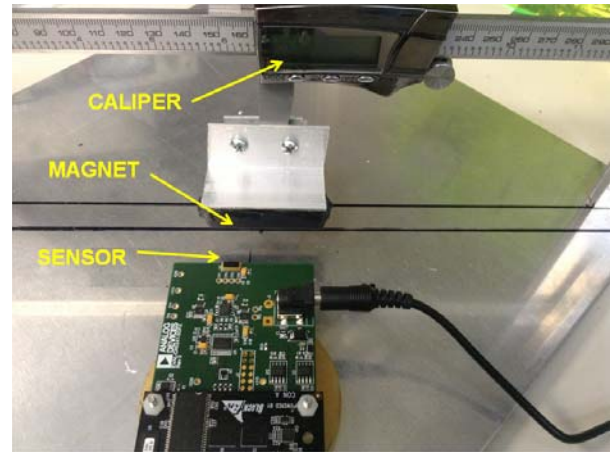


Figure 15. Photo of Bench Test Setup

The setup utilizes a magnet that is 2 inches in length and is positioned 1 inch away from the sensor. The recommended sensor-to-magnet air gap for linear motion sensing is equal to one-half of the pole length of the magnet. Data is collected by moving the magnet along the x-axis and comparing the evaluation software reading to the digital display reading on the caliper. Figure 16 shows the output position error recorded over a 1.0 inch range. The error is ± 2 mil over the entire range.

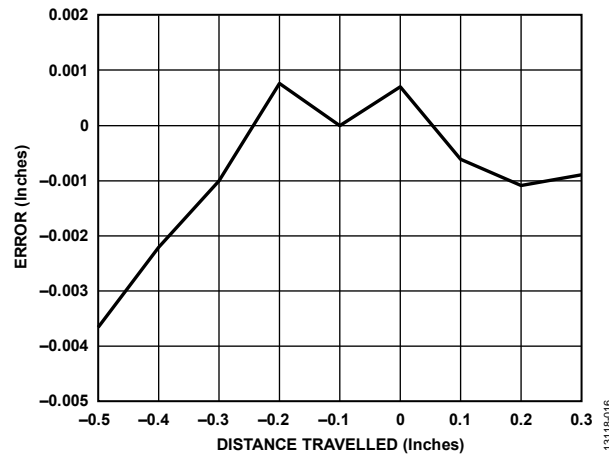


Figure 16. Magnetic Field Position Error: 1.0 Inch Range

Restricting the measurement range to 0.4 inch produces better measurement results. Note that 0.4 inch coincides with the linear portion of the trigonometric waves shown in Figure 8 and confines measurement to a 30° range. Applying a new gain correction factor for this modified range produces a ±1 mil error, as shown in Figure 17.

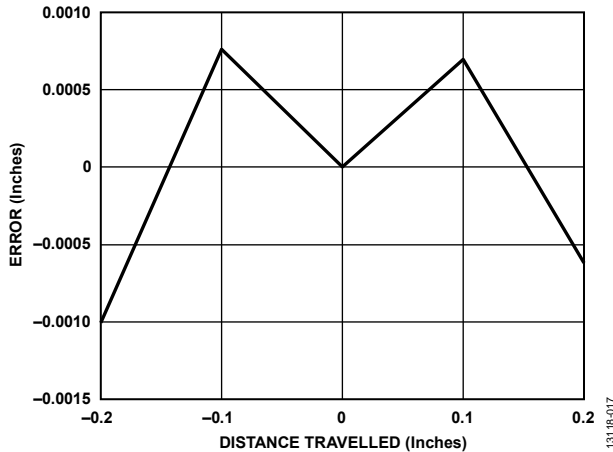


Figure 17. Magnetic Field Position Error: 0.4 Inch Range

The sensor is positioned so that it sits in the middle of the body of the magnet, as shown in Figure 18. A common error source, vertical misalignment, occurs when the sensor is moved up or down with respect to the position of the magnet.

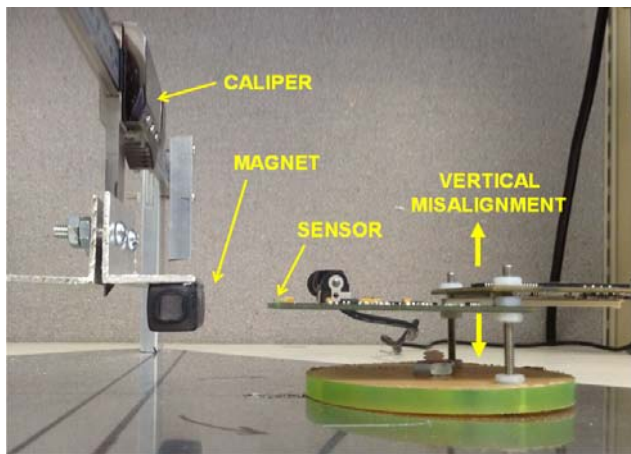


Figure 18. Photo of Bench Test Setup: Vertical Misalignment

Figure 19 shows the errors introduced by misaligning the sensor and magnet vertically. This test consists of moving the PCB up or down by 0.25 inch and 0.5 inch before collecting data. For a measurement range of 1.0 inch, moving the target 0.25 inch up or down adds several mils of error to the calculation. Moving the sensor 0.5 inch up or down makes the measurement worse, adding tens of mils of error to the original reading.

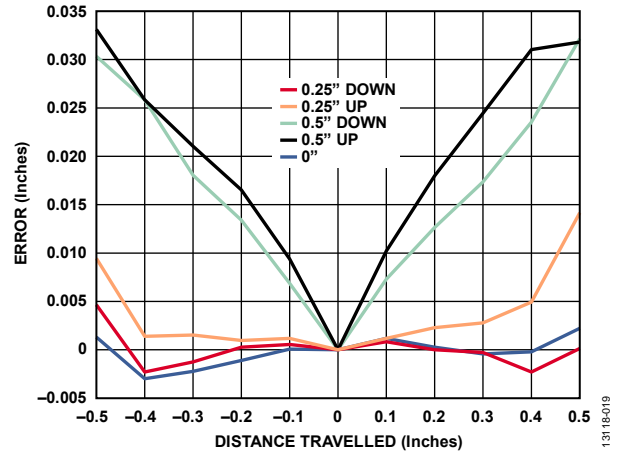


Figure 19. Magnetic Field Position Error: Vertical Misalignment

By modifying the gain correction factor, these large errors can be improved but not removed completely. Increasing the distance from the magnet negatively influences the magnetic field strength and orientation of the magnetic field lines, making some of the data unrecoverable.

A second common error source is rotational misalignment, shown in Figure 20. While the sensor and magnet are positioned ideally with respect to the vertical axis, the sensor is not parallel to the face of the magnet.

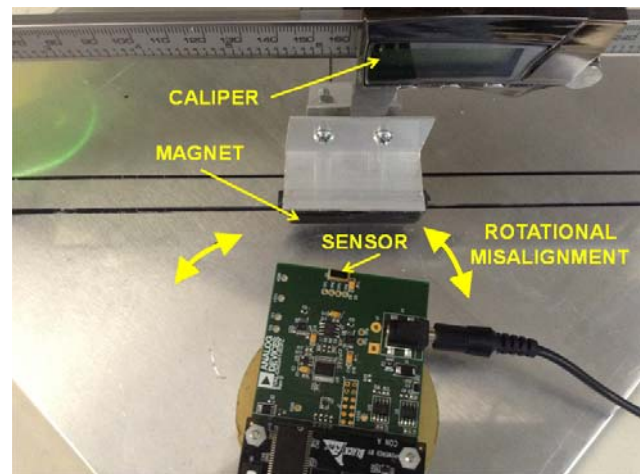


Figure 20. Photo of Bench Test Setup: Rotational Misalignment

Figure 21 shows the readings associated with rotational misalignment. The green line shows the errors recorded for a parallel configuration, while the red and blue lines show the additional errors introduced by rotating the sensor left or right with respect to the face of the magnet.

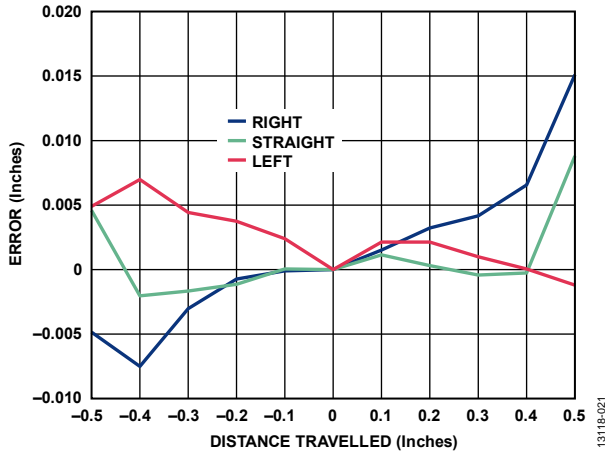


Figure 21. Magnetic Field Position Error: Rotational Misalignment

A final common error source is sensor-to-magnet distance, shown in Figure 22. The ideal distance between the sensor and magnet is half of the magnet length. Increasing or decreasing this distance introduces errors into the data set. Figure 22 shows the bench test setup where the magnet and sensor are too close together.

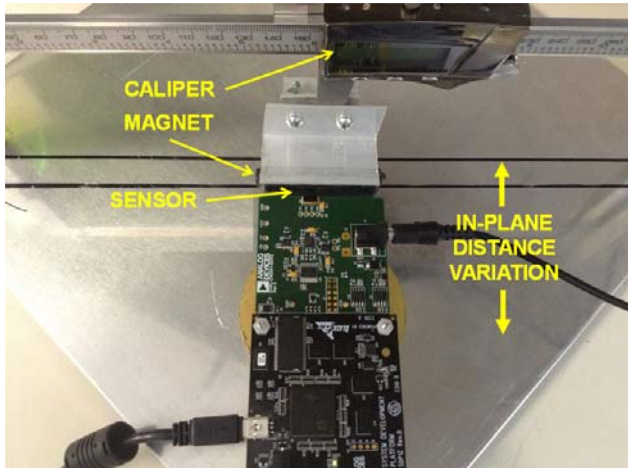


Figure 22. Photo of Bench Test Setup: In-Plane Distance Variation

The distance between the magnet and sensor is set to 0.1 inch, 0.5 inch, and 1 inch, and then data sets are collected. Figure 23 shows the errors associated with the different configurations.

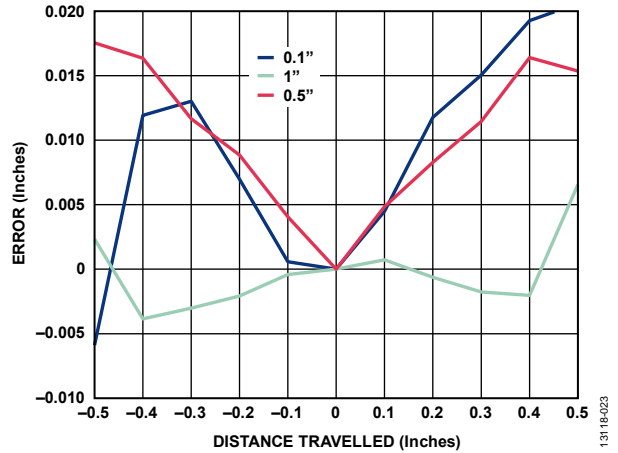


Figure 23. Magnetic Field Position Error: In plane Distance Variation

By modifying the gain correction factor, these large errors can be improved but not removed completely. Increasing or decreasing the distance from the magnet negatively influences the magnetic field strength and orientation of the magnetic field lines, making some of the data unrecoverable.

Figure 24 is a screenshot of the LabVIEW® evaluation software used for all readings and calculations regarding angular position applications. Figure 25 shows a screenshot of the **Linear Measurement** tab.

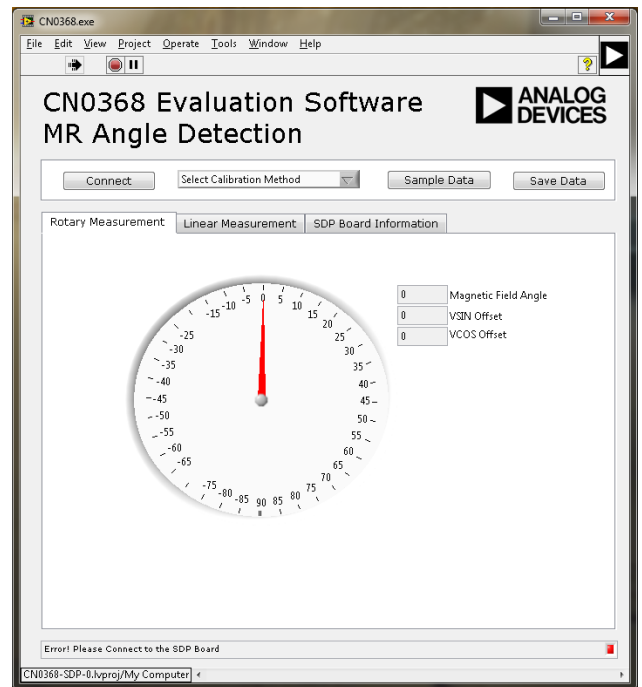


Figure 24. Screenshot of CN0368 Evaluation Software, Rotary Measurement Tab

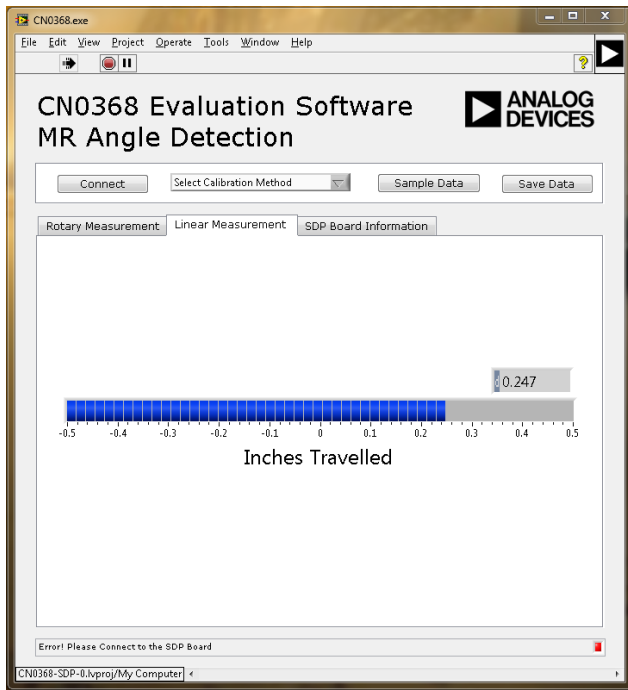


Figure 25. Screenshot of [CN0368 Evaluation Software](#), **Linear Measurement Tab**

During calibration, the maximum and minimum voltage (V_{MAX} and V_{MIN}) output of each Wheatstone bridge is determined. Knowing these values allows a more precise mapping of voltage to digital code. The user has two methods of determining the V_{MAX} and V_{MIN} values using the **Select Calibration Method** drop-down box.

The first method involves rotating the magnetic stimulus through 360° while the software identifies V_{MAX} and V_{MIN} . The software then calculates the offset voltage for each channel and uses those values to determine the magnetic field angle.

The second method involves rotating the magnetic stimulus through 360° while the software identifies V_{MAX} , V_{MIN} , and V_{TEMP} . The process is then repeated at a different temperature. The software uses these variables to calculate the offset voltage and the temperature dependence for each channel and, subsequently, the magnetic field angle.

PCB Layout Considerations

In any circuit where accuracy is needed, it is important to consider the power supply and ground return layout on the board. The PCB should isolate the digital and analog sections as much as possible. The PCB for the [CN-0368](#) system uses a 4-layer stackup with large area ground plane layers and power plane polygons. See the [MT-031 Tutorial](#) for more discussion on layout and grounding, and see the [MT-101 Tutorial](#) for information on decoupling techniques.

Decouple the power supply to all ICs with $1\ \mu\text{F}$ and $0.1\ \mu\text{F}$ capacitors to properly suppress noise and to reduce ripple. Place the capacitors as close to the device as possible. Ceramic capacitors are recommended for all high frequency decoupling.

Power supply lines should have as large a trace width as possible to provide low impedance paths and reduce glitch effects on the supply line. Shield clocks and other fast switching digital signals from other parts of the board by digital ground. Figure 26 is a photo of the PCB.

A complete design support package for the [CN-0368](#) is available at www.analog.com/CN0368-DesignSupport.

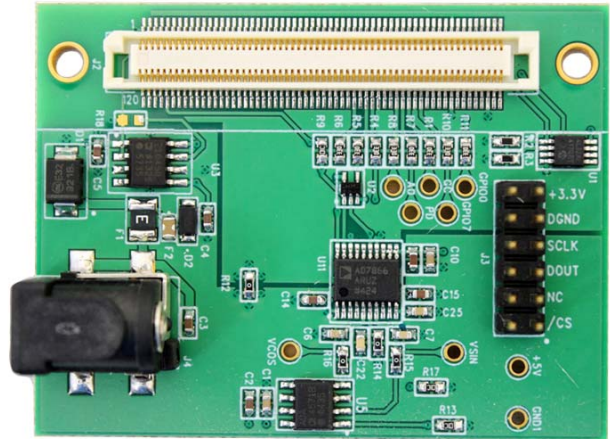


Figure 26. Photo of [EVAL-CN0368-SDPZ Board](#)

COMMON VARIATIONS

If sample rates of greater than 1 MSPS are required, consider the following simultaneous sampling ADCs: the [AD7352](#) (12 bits at 3 MSPS), the [AD7356](#) (12 bits at 5 MSPS), and the [AD7357](#) (14-bits at 4.25 MSPS).

If greater than 12-bit or 14-bit resolution is required, the [AD7655](#) (16 bits at 1 MSPS) can be used.

CIRCUIT EVALUATION AND TEST

This circuit uses the [EVAL-SDP-CB1Z](#) system demonstration platform (SDP) board and the [EVAL-CN0368-SDPZ](#) circuit board. The two boards have 120-pin mating connectors, allowing quick setup and evaluation of the performance of the circuit.

The [EVAL-CN0368-SDPZ](#) contains the circuit to be evaluated, as described in the [CN-0368](#). The [EVAL-SDP-CB1Z](#) board is used with the [CN0368 evaluation software](#) to capture data from the [EVAL-CN0368-SDPZ](#) circuit board.

Equipment Needed

The following equipment is needed:

- PC with a USB port and Windows® XP (32-bit), Windows Vista (32-bit), or Windows 7 (32-bit)
- [EVAL-CN0368-SDPZ](#) circuit board
- [EVAL-SDP-CB1Z](#) SDP board
- 6 V power supply or wall wart
- [CN0368 evaluation software](#)
- Neodymium magnet with a minimum magnetic field strength of 25 kA/m at the package of the sensor

Getting Started

Load the evaluation software by inserting the [CN0368 evaluation software](#) CD into the PC. From **My Computer**, locate the drive that contains the evaluation software CD and open the **Readme** file. Follow the instructions contained in the **Readme** file to install and use the evaluation software.

Functional Block Diagram

Figure 27 shows the functional block diagram of the test setup.

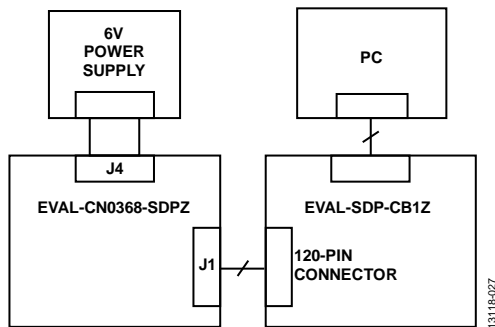


Figure 27. Test Setup Block Diagram

Setup

Connect the 120-pin connector on the [EVAL-CN0368-SDPZ](#) to the connector on the [EVAL-SDP-CB1Z](#). Use nylon hardware to firmly secure the two boards, using the holes provided at the ends of the 120-pin connectors.

With power to the supply off, connect a 6 V dc barrel jack to Connector J4. Connect the USB cable supplied with the [EVAL-SDP-CB1Z](#) to the USB port on the PC. Do not connect the USB cable to the mini-USB connector on the SDP board at this time.

Place the neodymium magnet directly on top of the IC or in some fixture designed to spin the magnet, and which minimizes the distance between the IC and the magnet.

It is important to keep other sources of magnetic fields away from the IC because any stray magnetic field can cause errors in the output voltage of the sensor.

Test

Apply power to the dc barrel jack, Connector J4. Launch the [CN0368 evaluation software](#) and connect the USB cable from the PC to the mini-USB connector on the [EVAL-SDP-CB1Z](#).

When USB communications are established, the [EVAL-SDP-CB1Z](#) can be used to send, receive, and capture serial data from the [EVAL-CN0368-SDPZ](#).

Information regarding the [EVAL-SDP-CB1Z](#) is available in the [SDP User Guide](#).

Information and details regarding test setup and calibration and how to use the evaluation software for data capture are available in the [CN-0368 Software User Guide](#) at www.analog.com/CN0368-UserGuide.

LEARN MORE

CN-0368 Design Support Package:

www.analog.com/CN0368-DesignSupport

MT-031 Tutorial, *Grounding Data Converters and Solving the Mystery of “AGND” and “DGND”*, Analog Devices.

MT-101 Tutorial, *Decoupling Techniques*, Analog Devices.

AN-688 Application Note, *Phase and Frequency Response of iMEMS Accelerometers and Gyros*, Analog Devices

Data Sheets and Evaluation Boards

[AD7866 Data Sheet](#)

[ADA4571 Data Sheet](#)

REVISION HISTORY

3/15—Revision 0: Initial Version

(Continued from first page) Circuits from the Lab reference designs are intended only for use with Analog Devices products and are the intellectual property of Analog Devices or its licensors. While you may use the Circuits from the Lab reference designs in the design of your product, no other license is granted by implication or otherwise under any patents or other intellectual property by application or use of the Circuits from the Lab reference designs. Information furnished by Analog Devices is believed to be accurate and reliable. However, Circuits from the Lab reference designs are supplied "as is" and without warranties of any kind, express, implied, or statutory including, but not limited to, any implied warranty of merchantability, noninfringement or fitness for a particular purpose and no responsibility is assumed by Analog Devices for their use, nor for any infringements of patents or other rights of third parties that may result from their use. Analog Devices reserves the right to change any Circuits from the Lab reference designs at any time without notice but is under no obligation to do so.

©2015 Analog Devices, Inc. All rights reserved. Trademarks and registered trademarks are the property of their respective owners.
CN13118-0-3/15(0)



Данный компонент на территории Российской Федерации

Вы можете приобрести в компании MosChip.

Для оперативного оформления запроса Вам необходимо перейти по данной ссылке:

<http://moschip.ru/get-element>

Вы можете разместить у нас заказ для любого Вашего проекта, будь то серийное производство или разработка единичного прибора.

В нашем ассортименте представлены ведущие мировые производители активных и пассивных электронных компонентов.

Нашей специализацией является поставка электронной компонентной базы двойного назначения, продукции таких производителей как XILINX, Intel (ex.ALTERA), Vicor, Microchip, Texas Instruments, Analog Devices, Mini-Circuits, Amphenol, Glenair.

Сотрудничество с глобальными дистрибьюторами электронных компонентов, предоставляет возможность заказывать и получать с международных складов практически любой перечень компонентов в оптимальные для Вас сроки.

На всех этапах разработки и производства наши партнеры могут получить квалифицированную поддержку опытных инженеров.

Система менеджмента качества компании отвечает требованиям в соответствии с ГОСТ Р ИСО 9001, ГОСТ РВ 0015-002 и ЭС РД 009

Офис по работе с юридическими лицами:

105318, г.Москва, ул.Щербаковская д.3, офис 1107, 1118, ДЦ «Щербаковский»

Телефон: +7 495 668-12-70 (многоканальный)

Факс: +7 495 668-12-70 (доб.304)

E-mail: info@moschip.ru

Skype отдела продаж:

moschip.ru

moschip.ru_4

moschip.ru_6

moschip.ru_9