



CY8C20110, CY8C20180
CY8C20160, CY8C20140
CY8C20142

CapSense[®] Express[™] Button Capacitive Controllers

Features

- 10/8/6/4 capacitive button input
 - Robust sensing algorithm
 - High sensitivity, low noise
 - Immunity to RF and AC noise
 - Low radiated EMC noise
 - Supports wide range of input capacitance, sensor shapes, and sizes
- Target applications
 - Printers
 - Cellular handsets
 - LCD monitors
 - Portable DVD players
- Low operating current
 - Active current: continuous sensor scan: 1.5 mA
 - Deep sleep current: 4 μ A
- Industry's best configurability
 - Custom sensor tuning, one optional capacitor
 - Output supports strong drive for LED
 - Output state can be controlled through I²C or directly from CapSense[®] input state
 - Run time reconfigurable over I²C
- Advanced features
 - All GPIOs support LED dimming with configurable delay option in CY8C20110
 - Interrupt outputs
 - User defined inputs
 - Wake on interrupt input
 - Sleep control pin
 - Nonvolatile storage of custom settings
 - Easy integration into existing products – configure output to match system
 - No external components required
 - World class free configuration tool
- Wide range of operating voltages
 - 2.4 V to 2.9 V
 - 3.10 V to 3.6 V
 - 4.75 V to 5.25 V
- I²C communication
 - Supported from 1.8 V
 - Internal pull-up resistor support option
 - Data rate up to 400 kbps
 - Configurable I²C addressing
- Industrial temperature range: –40 °C to +85 °C.
- Available in 16-pin QFN, 8-pin, and 16-pin SOIC packages

Overview

These CapSense Express[™] controllers support four to ten capacitive sensing (CapSense) buttons. The device functionality is configured through an I²C port and can be stored in onboard nonvolatile memory for automatic loading at power-on. The CY8C20110 is optimized for dimming LEDs in 15 selectable duty cycles for back light applications. The device can be configured to have up to 10 GPIOs connected to the PWM output. The PWM duty cycle is programmable for variable LED intensities.

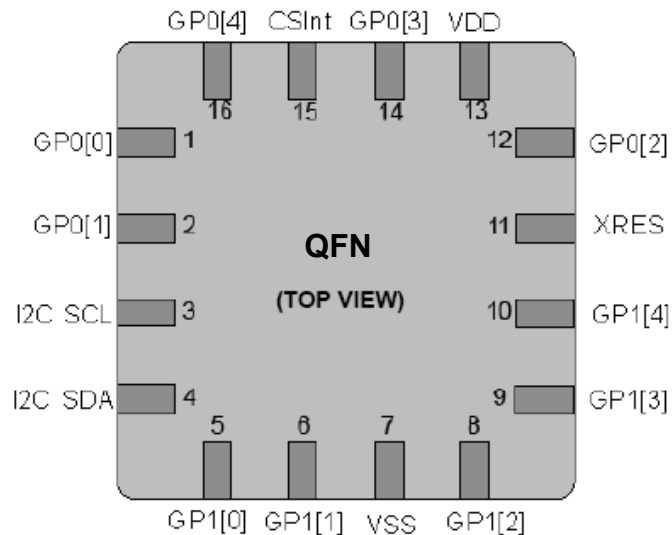
The four key blocks that make up these devices are: a robust capacitive sensing core with high immunity against radiated and conductive noise, control registers with nonvolatile storage, configurable outputs, and I²C communications. The user can configure registers with parameters needed to adjust the operation and sensitivity of the CapSense buttons and outputs and permanently store the settings. The standard I²C serial communication interface enables the host to configure the device and read sensor information in real time. The I²C address is fully configurable without any external hardware strapping.

Contents

Pinouts	3	Layout Guidelines and Best Practices	18
Pin Definitions	3	CapSense Button Shapes	18
Pinouts	4	Button Layout Design	18
Pin Definitions	4	Recommended via Hole Placement	18
Pinouts	5	Example PCB Layout Design with	
Pin Definitions	5	Two CapSense Buttons and Two LEDs	20
Typical Circuits	6	Operating Voltages	21
I2C Interface	8	CapSense Constraints	21
I2C Device Addressing	8	Absolute Maximum Ratings	22
I2C Clock Stretching	8	Operating Temperature	22
Format for Register Write and Read	9	Electrical Specifications	23
Operating Modes of I2C Commands	10	DC Electrical Specifications	23
Normal Mode	10	CapSense Electrical Characteristics	26
Setup Mode	10	AC Electrical Specifications	26
Device Operation Modes	10	Appendix	29
Active Mode	10	Examples of Frequently Used I2C Commands	29
Periodic Sleep Mode	10	Ordering Information	30
Deep Sleep Mode	10	Ordering Code Definitions	30
Sleep Control Pin	10	Thermal Impedances	31
Interrupt Pin to Master	10	Solder Reflow Specifications	31
LED Dimming	10	Package Diagrams	32
LED Dimming Mode 1: Change Intensity		Acronyms	35
on ON/OFF Button Status	11	Reference Documents	35
LED Dimming Mode 2: Flash Intensity		Document Conventions	35
on ON Button Status	11	Units of Measure	35
LED Dimming Mode 3: Hold Intensity		Numeric Conventions	35
After ON/OFF Button Transition	12	Glossary	36
LED Dimming Mode 4: Toggle Intensity on ON/OFF		Document History Page	41
or OFF/ON Button Transitions	12	Sales, Solutions, and Legal Information	43
Registers	13	Worldwide Sales and Design Support	43
Register Map	13	Products	43
Device IDs	17	PSoC Solutions	43
CapSense Express Commands	17		
Register Conventions	17		

Pinouts

Figure 1. 16-pin QFN (3 × 3 × 0.6 mm) (no e-pad) pinout ^[1]



Pin Definitions

16-pin QFN (no e-pad) ^[1, 2]

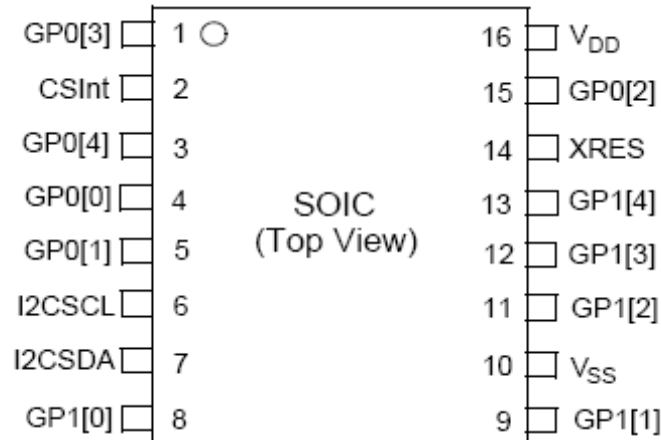
Pin No.	Pin Name	Description
1	GP0[0]	Configurable as CapSense or GPIO
2	GP0[1]	Configurable as CapSense or GPIO
3	I ² C SCL	I ² C clock
4	I ² C SDA	I ² C data
5	GP1[0]	Configurable as CapSense or GPIO
6	GP1[1] ^[3]	Configurable as CapSense or GPIO
7	V _{SS}	Ground connection
8	GP1[2] ^[3]	Configurable as CapSense or GPIO
9	GP1[3]	Configurable as CapSense or GPIO
10	GP1[4]	Configurable as CapSense or GPIO
11	XRES	Active high external reset with internal pull-down
12	GP0[2]	Configurable as CapSense or GPIO
13	V _{DD}	Supply voltage
14	GP0[3]	Configurable as CapSense or GPIO
15	CSInt	Integrating capacitor Input. The external capacitance is required only if 5:1 SNR cannot be achieved. Typical range is 1 nF to 4.7 nF
16	GP0[4]	Configurable as CapSense or GPIO

Notes

1. CY8C20110 (10 Buttons) / CY8C20180 (8 Buttons) / CY8C20160 (6 Buttons) / CY8C20140 (4 Buttons)
2. 8/6/4 available configurable IOs can be configured to any of the 10 IOs of the package. After any of the 8/6/4 IOs are chosen, the remaining 2/4/6 IOs of the package are not available for any functionality.
3. Avoid using GP1[1] and GP1[2] for driving LEDs. These two pins have special functions during power-up which is used at factory. LEDs connected to these two pins blink during the power-up of the device.

Pinouts

Figure 2. 16-pin SOIC (150 Mils) pinout ^[4]



Pin Definitions

16-pin SOIC ^[4, 5]

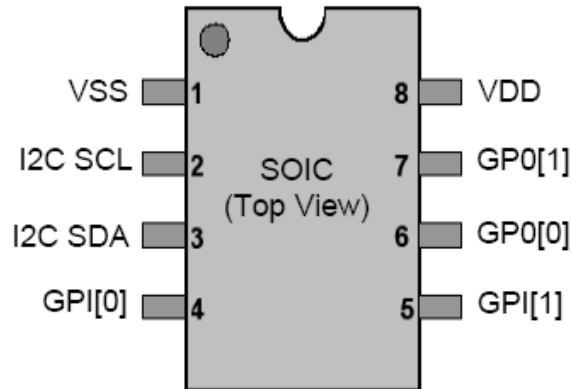
Pin No.	Name	Description
1	GP0[3]	Configurable as CapSense or GPIO
2	CSInt	Integrating capacitor input. The external capacitance is required only if 5:1 SNR cannot be achieved. Typical range is 1 nF to 4.7 nF.
3	GP0[4]	Configurable as CapSense or GPIO
4	GP0[0]	Configurable as CapSense or GPIO
5	GP0[1]	Configurable as CapSense or GPIO
6	I ² C SCL	I ² C clock
7	I ² C SDA	I ² C data
8	GP1[0]	Configurable as CapSense or GPIO
9	GP1[1] ^[6]	Configurable as CapSense or GPIO
10	V _{SS}	Ground connection
11	GP1[2] ^[6]	Configurable as CapSense or GPIO
12	GP1[3]	Configurable as CapSense or GPIO
13	GP1[4]	Configurable as CapSense or GPIO
14	XRES	Active high external reset with internal pull-down
15	GP0[2]	Configurable as CapSense or GPIO
16	V _{DD}	Supply voltage

Notes

- CY8C20110 (10 Buttons) / CY8C20180 (8 Buttons) / CY8C20160 (6 Buttons) / CY8C20140 (4 Buttons)
- 8/6/4 available configurable IOs can be configured to any of the 10 IOs of the package. After any of the 8/6/4 IOs are chosen, the remaining 2/4/6 IOs of the package are not available for any functionality.
- Avoid using GP1[1] and GP1[2] for driving LEDs. These two pins have special functions during power-up which is used at factory. LEDs connected to these two pins blink during the power-up of the device.

Pinouts

Figure 3. 8-pin SOIC (150 Mils) pinout
 CY8C20142 (4 Button)



Pin Definitions

8-pin SOIC
 CY8C20142 (4 Button)

Pin No.	Name	Description
1	V _{SS}	Ground
2	I ² C SCL	I ² C Clock
3	I ² C SDA	I ² C Data
4	GP1[0] ^[7]	Configurable as CapSense or GPIO
5	GP1[1] ^[7]	Configurable as CapSense or GPIO
6	GP0[0]	Configurable as CapSense or GPIO
7	GP0[1]	Configurable as CapSense or GPIO
8	V _{DD}	Supply voltage

Important Note For information on the preferred dimensions for mounting QFN packages, see the "Application Notes for Surface Mount Assembly of Amkor's MicroLeadFrame (MLF) Packages" available at <http://www.amkor.com>.

Note

- Avoid using GP1[0] and GP1[1] for driving LED. These two pins have special functions during power up which is used at factory. LEDs connected to these two pins will blink during power up of the device.

Typical Circuits

Figure 4. Circuit 1 – Five Buttons and Five LEDs with I²C Interface

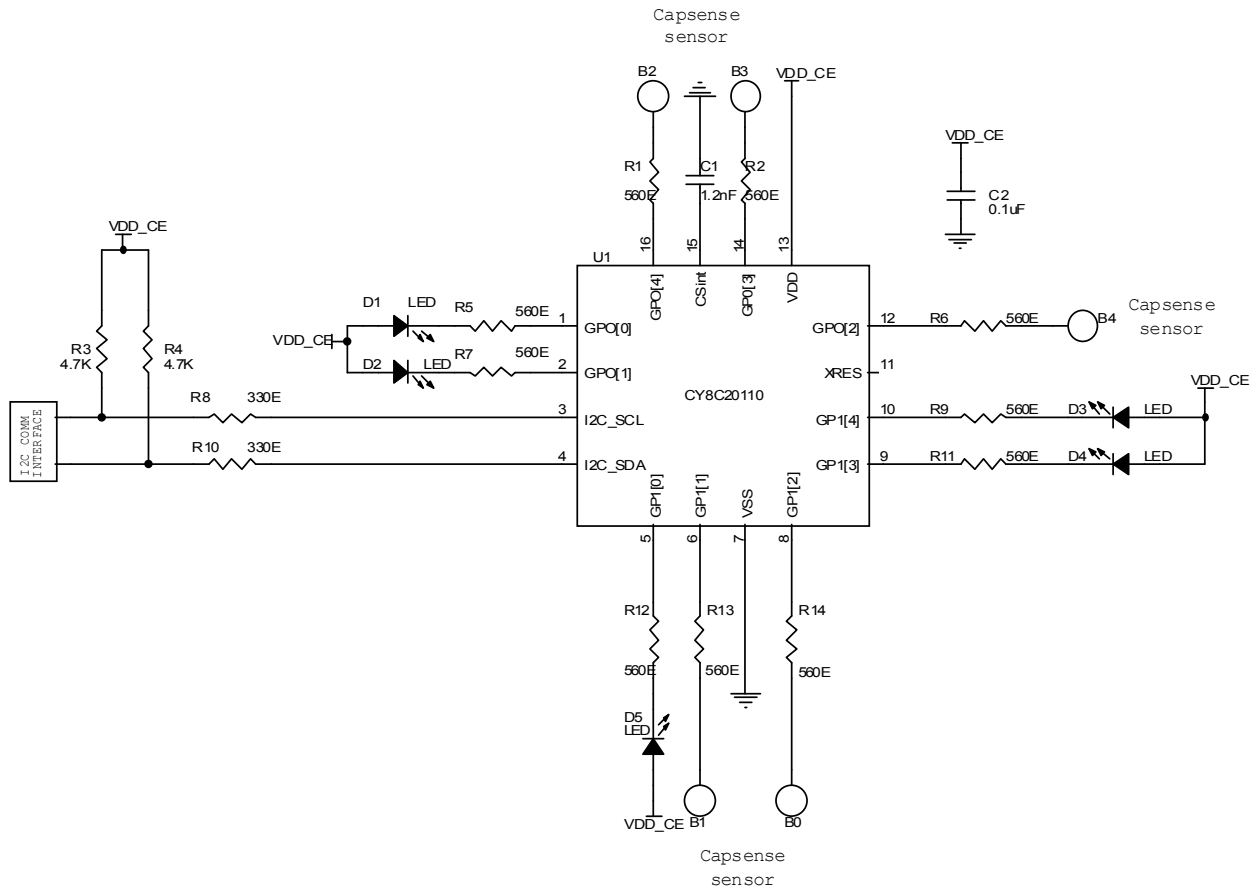
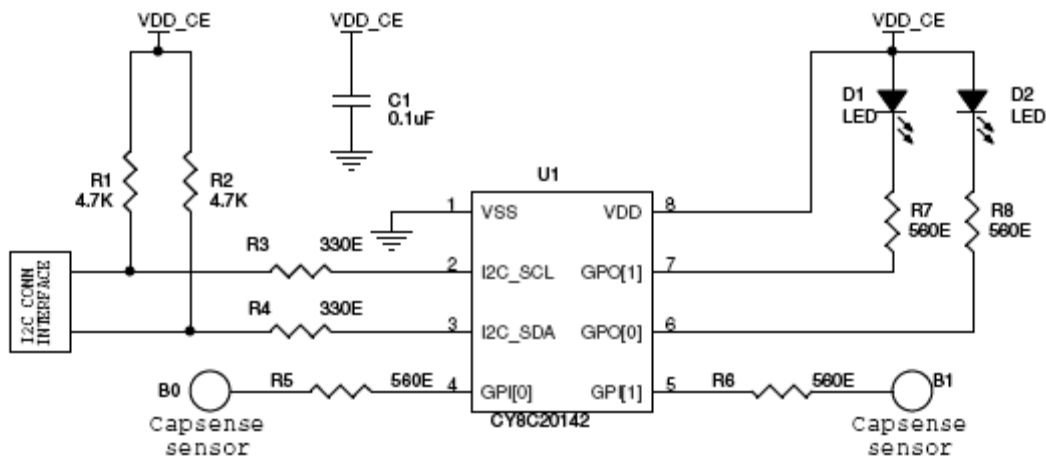


Figure 5. Circuit 2 – Two Buttons and Two LEDs with I²C Interface



Typical Circuits (continued)

Figure 6. Circuit 3 – Compatibility with 1.8 V I²C Signaling [8, 9]

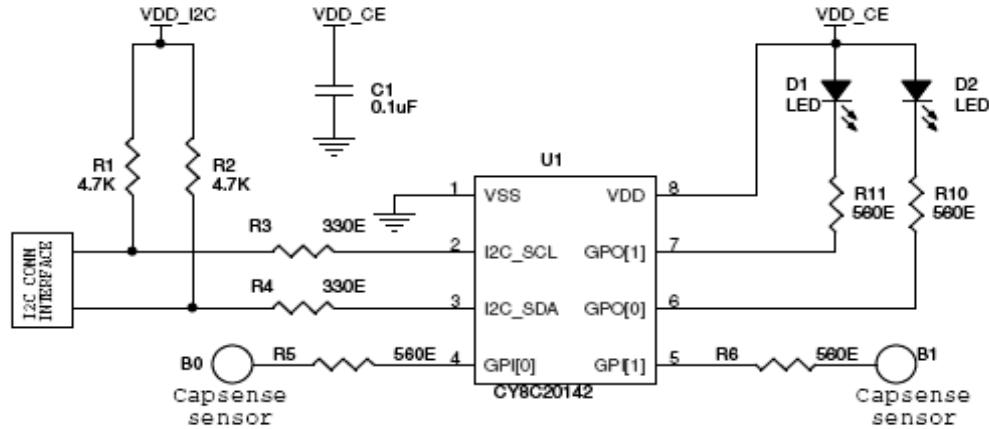
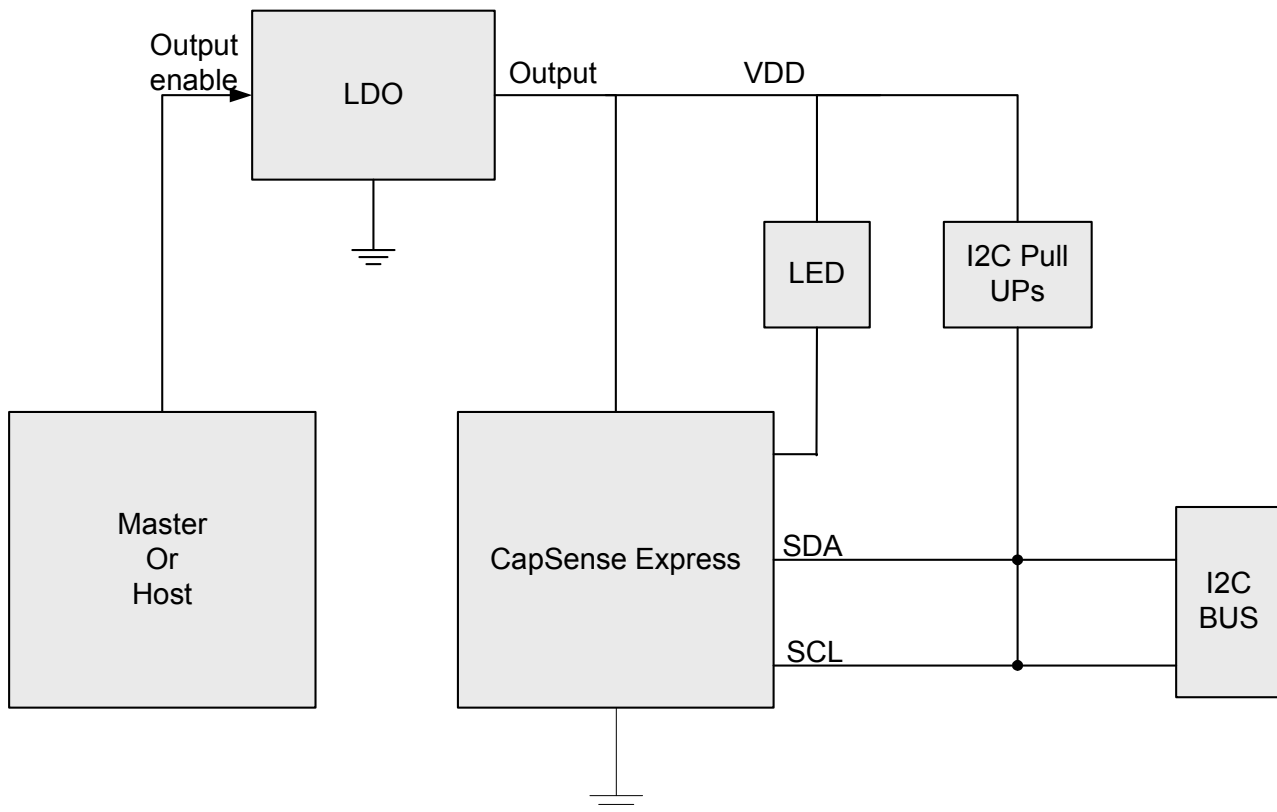


Figure 7. Circuit 4 – Powering Down CapSense Express Device for Low Power Requirements [10]



Notes

8. $1.8\text{ V} \leq \text{VDD_I2C} \leq \text{VDD_CE}$ and $2.4\text{ V} \leq \text{VDD_CE} \leq 5.25\text{ V}$.
9. The I2C drive mode of the CapSense device should be configured properly before using in an I2C environment with external pull-ups. Please refer to I2C_ADDR_DM register and its factory setting.
10. For low power requirements, if V_{DD} is to be turned off, this concept can be used. The requirement is that the V_{DDs} of CapSense Express, I²C pull-ups, and LEDs should be from the same source such that turning off the V_{DD} ensures that no signal is applied to the device while it is unpowered. The I²C signals should not be driven high by the master in this situation. If a port pin or group of port pins of the master can cater to the power supply requirements of the circuit, the LDO can be avoided.

I²C Interface

The CapSense Express devices support the industry standard I²C protocol, which can be used for:

- Configuring the device
- Reading the status and data registers of the device
- Controlling device operation
- Executing commands

The I²C address can be modified during configuration.

I²C Device Addressing

The device uses a seven bit addressing protocol. The I²C data transfer is always initiated by the master sending a one byte address: the first 7 bits contain the address and the LSB indicates the data transfer direction. Zero in the LSB bit indicates the write transaction from master and one indicates read transfer by the master. The following table shows examples for different I²C addresses.

Table 1. I²C Address Examples

7-bit Slave Address	D7	D6	D5	D4	D3	D2	D1	D0	8-bit Slave Address
1	0	0	0	0	0	0	1	0(W)	02
1	0	0	0	0	0	0	1	1(R)	03
75	1	0	0	1	0	1	1	0(W)	96
75	1	0	0	1	0	1	1	1(W)	97

I²C Clock Stretching

'Clock stretching' or 'bus stalling' in I²C communication protocol is a state in which the slave holds the SCL line low to indicate that it is busy. In this condition, the master is expected to wait till the SCL is released by the slave.

When an I²C master communicates with the CapSense Express device, the CapSense Express stalls the I²C bus after the reception of each byte (that is, just before the ACK/NAK bit) until processing of the byte is complete and critical internal functions are executed. Use a fully I²C compliant master to communicate with the CapSense Express device.

If the I²C master does not support clock stretching (a bit banded software I²C Master), the master must wait for a specific amount of time (as specified in [Format for Register Write and Read on page 9](#)) for each register write and read operation before the next bit is transmitted. The I²C master must check the SCL status (it should be high) before the I²C master initiates any data transfer with CapSense Express. If the master fails to do so and continues to communicate, the communication is erroneous.

The following diagrams represent the ACK time delays shown in [Format for Register Write and Read on page 9](#) for write and read.

Figure 8. Write ACK Time Representation [11]

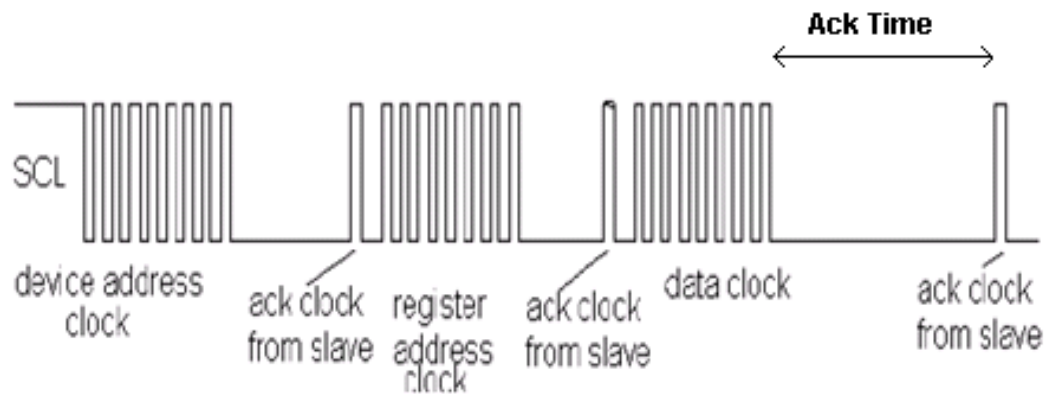
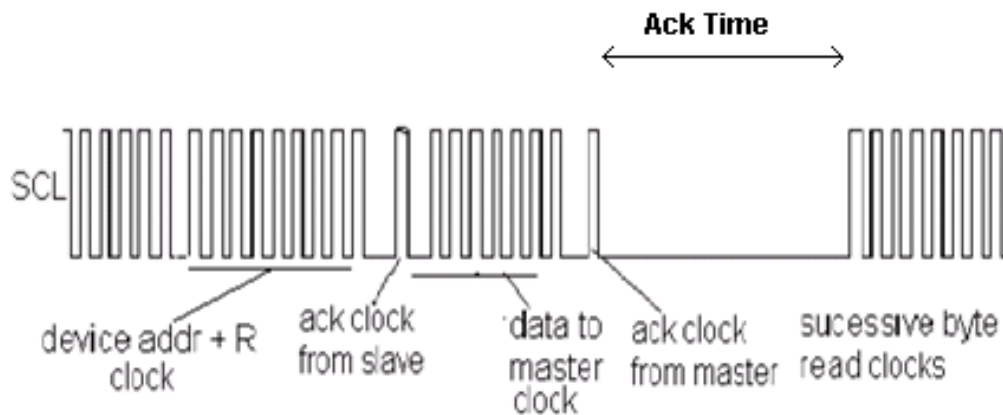


Figure 9. Read ACK Time Representation [12]



Format for Register Write and Read

Register write format

Start	Slave Addr + W	A	Reg Addr	A	Data	A	Data	A	Data	A	Stop
-------	----------------	---	----------	---	------	---	------	---	-------	------	---	------

Register read format

Start	Slave Addr + W	A	Reg Addr	A	Stop					
Start	Slave Addr + R	A	Data	A	Data	A	Data	N	Stop

Legends:

Master	A – ACK
Slave	N – NAK

Notes

- 11. Time to process the received data.
- 12. Time taken for the device to send next byte.

Operating Modes of I²C Commands

Normal Mode

In normal mode of operation, the acknowledgment time is optimized. The timings remain approximately the same for different configurations of the slave. To reduce the acknowledgment times in normal mode, the registers 0x06–0x09, 0x0C, 0x0D, 0x10–0x17, 0x50, 0x51, 0x57–0x60, 0x7E are given only read access. Write to these registers can be done only in setup mode.

Setup Mode

All registers have read and write access (except those which are read only) in this mode. The acknowledgment times are longer compared to normal mode. When CapSense scanning is disabled (command code 0x0A in command register 0xA0), the acknowledgment times can be improved to values similar to the normal mode of operation.

Device Operation Modes

CapSense Express devices are configured to operate in any of the following three modes to meet different power consumption requirements:

- Active Mode
- Periodic Sleep Mode
- Deep Sleep Mode

Active Mode

In the active mode, all the device blocks including the CapSense sub system are powered. Typical active current consumption of the device across the operating voltage range is 1.5 mA.

Periodic Sleep Mode

Sleep mode provides an intermediate power operation mode. It is enabled by configuring the corresponding device registers (0x7E, 0x7F). The device goes into sleep after there is no event for stay awake counter (Reg 0x80) number of sleep intervals. The device wakes up on sleep interval and it scans the capacitive sensors before going back to sleep again. If any sensor is active, then the device wakes up. The device can also wake up from sleep mode with a GPIO interrupt. The sleep interval is configured through registers. The following sleep intervals are supported in CapSense Express:

- 1.95 ms (512 Hz)
- 15.6 ms (64 Hz)
- 125 ms (8 Hz)
- 1 s (1 Hz)

The sleep interval should be 8 Hz or 1 Hz when using save to flash command. The configuration sequence should be:

1. Write configuration data to registers with sleep interval being 8 Hz or 1 Hz
2. Save the settings to FLASH
3. Change the sleep interval as per design.

Deep Sleep Mode

Deep sleep mode provides the lowest power consumption because there is no operation running. All CapSense scanning is disabled during this mode. In this mode, the device wakes up only using an external GPIO interrupt. A sleep timer interrupt cannot wake up a device from deep sleep mode. This is treated as a continuous sleep mode without periodic wakeups. Refer to the application note “[CapSense Express Power and Sleep Considerations](#)” - AN44209 for details on different sleep modes. To get the lowest power during this mode the sleep timer frequency should be set to 1 Hz.

Sleep Control Pin

The devices require a dedicated sleep control pin to enable reliable I²C communication in case any sleep mode is enabled. This is achieved by pulling the sleep control pin low to wake up the device and start I²C communication. The sleep control pin can be configured on any GPIO.

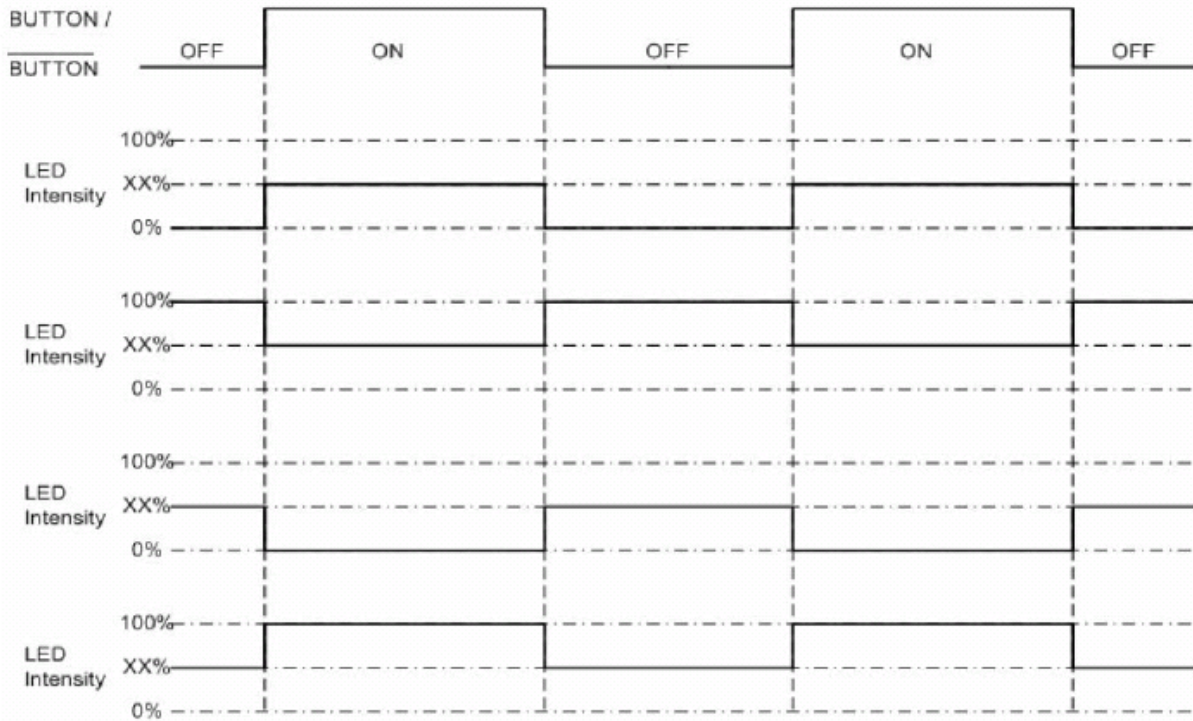
Interrupt Pin to Master

To inform the master of any button press a GPIO can be configured as interrupt output and all CapSense buttons can be connected to this GPIO with an OR logic operator. This can be configured using the software tool.

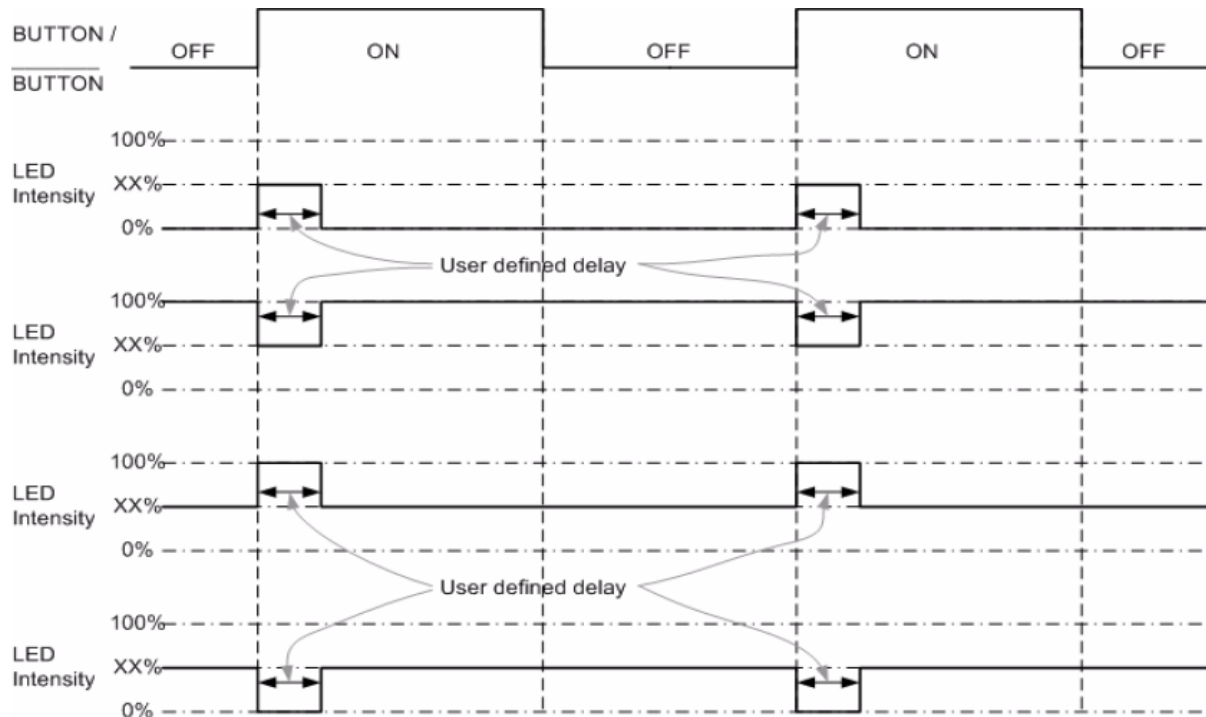
LED Dimming

To change the brightness and intensity of the LEDs, the host master (MCU, MPU, DSP, and so on) must send I²C commands and program the PWM registers to enable output pins, set duty cycle, and mode configuration. The single PWM source is connected to all GPIO pins and has a common user defined duty cycle. Each PWM enabled pin has two possible outputs: PWM and 0/1 (depending on the configuration). Four different modes of LED dimming are possible, as shown in [LED Dimming Mode 1: Change Intensity on ON/OFF Button Status on page 11](#) to [LED Dimming Mode 4: Toggle Intensity on ON/OFF or OFF/ON Button Transitions on page 12](#). The operation mode and duty cycle of the PWM enabled pins is common. This means that one pin cannot behave as in Mode 1 and another pin as in Mode 2.

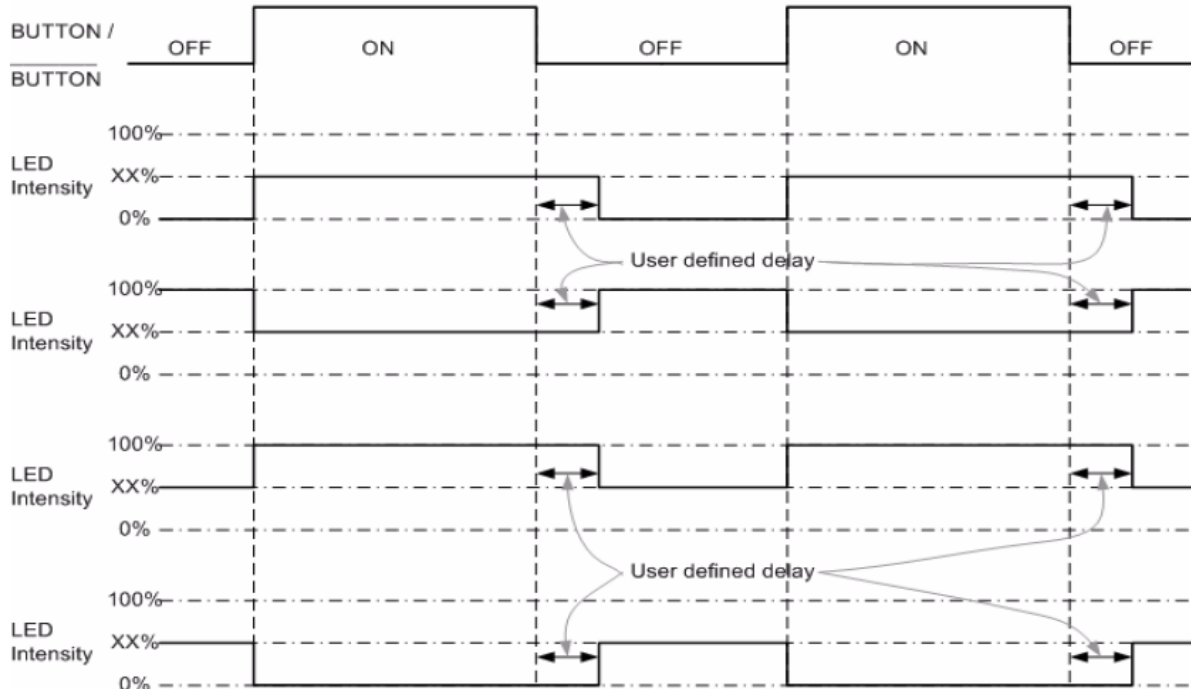
LED Dimming Mode 1: Change Intensity on ON/OFF Button Status



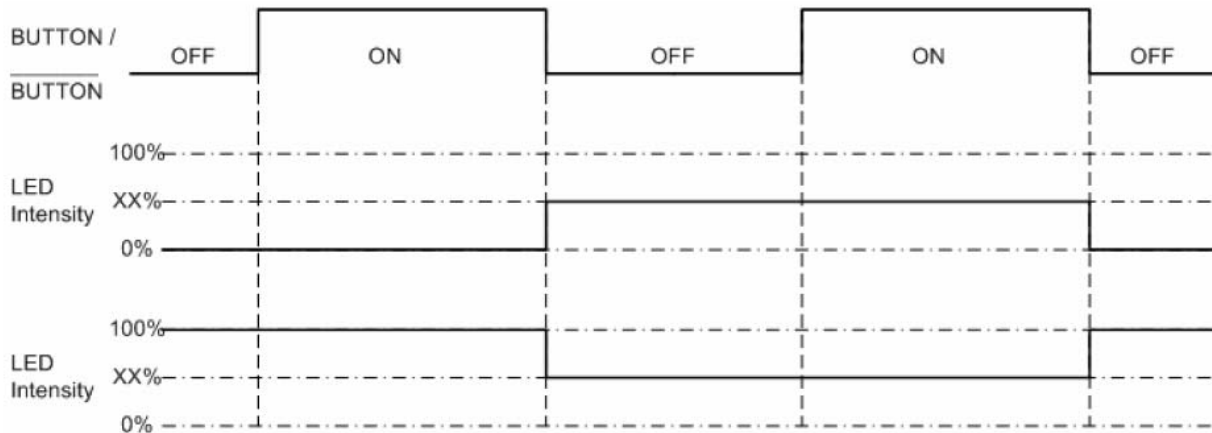
LED Dimming Mode 2: Flash Intensity on ON Button Status



LED Dimming Mode 3: Hold Intensity After ON/OFF Button Transition



LED Dimming Mode 4: Toggle Intensity on ON/OFF or OFF/ON Button Transitions



Note LED DIMMING is available only in CY8C20110.

Registers

Register Map

Name	Register Address (in Hex)	Access	Writable Only in SETUP Mode ^[13]	Factory Default Values of Registers (in Hex)	I2C Max ACK Time in Normal Mode (ms)	I2C Max ACK Time in Setup Mode (ms)
INPUT_PORT0	00	R	–	00	0.1	–
INPUT_PORT1	01	R	–	00	0.1	–
STATUS_POR0	02	R	–	00	0.1	–
STATUS_POR1	03	R	–	00	0.1	–
OUTPUT_PORT0	04	W	–	00	0.1	–
OUTPUT_PORT1	05	W	–	00	0.1	–
CS_ENABLE0	06	RW	YES	00	–	11
CS_ENABLE	07	RW	YES	00	–	11
GPIO_ENABLE0	08	RW	YES	00	–	11
GPIO_ENABLE1	09	RW	YES	00	–	11
INVERSION_MASK0	0A	RW	–	00	0.11	–
INVERSION_MASK1	0B	RW	–	00	0.11	–
INT_MASK0	0C	RW	YES	00	–	11
INT_MASK1	0D	RW	YES	00	–	11
STATUS_HOLD_MSK0	0E	RW	–	03/1F ^[14]	0.11	–
STATUS_HOLD_MSK1	0F	RW	–	03/1F ^[14]	0.11	–
DM_PULL_UP0	10	RW	YES	00	–	11
DM_STRONG0	11	RW	YES	00	–	11
DM_HIGHZ0	12	RW	YES	00	–	11
DM_OD_LOW0	13	RW	YES	00	–	11
DM_PULL_UP1	14	RW	YES	00	–	11
DM_STRONG1	15	RW	YES	00	–	11
DM_HIGHZ1	16	RW	YES	00	–	11
DM_OD_LOW1	17	RW	YES	00	–	11
PWM_ENABLE0 ^[15]	18	RW	–	00	0.1	–
PWM_ENABLE1 ^[15]	19	RW	–	00	0.1	–
PWM_MODE_DC ^[15]	1A	RW	–	00	0.1	–
PWM_DELAY ^[15]	1B	RW	–	00	0.1	–
OP_SEL_00	1C	RW	–	00	0.12	11
OPR1_PRT0_00	1D	RW	–	00	0.12	11
OPR1_PRT1_00	1E	RW	–	00	0.12	11
OPR2_PRT0_00	1F	RW	–	00	0.12	11
OPR2_PRT1_00	20	RW	–	00	0.12	11
OP_SEL_01	21	RW	–	00	0.12	11
OPR1_PRT0_01	22	RW	–	00	0.12	11
OPR1_PRT1_01	23	RW	–	00	0.12	11
OPR2_PRT0_01	24	RW	–	00	0.12	11
OPR2_PRT1_01	25	RW	–	00	0.12	11
OP_SEL_02	26	RW	–	00	0.12	11

Notes

13. These registers are writable only after entering into setup mode. All the other registers available for read and write in Normal as well as in Setup mode.

14. The factory defaults of Reg 0x0E and 0x0F is 0x03 for 20142 device and 0x1F for 20140/60/80/10 devices.

15. These registers are available only in CY8C20110.

Register Map (continued)

Name	Register Address (in Hex)	Access	Writable Only in SETUP Mode ^[13]	Factory Default Values of Registers (in Hex)	I2C Max ACK Time in Normal Mode (ms)	I2C Max ACK Time in Setup Mode (ms)
OPR1_PRT0_02	27	RW	–	00	0.12	11
OPR1_PRT1_02	28	RW	–	00	0.12	11
OPR2_PRT0_02	29	RW	–	00	0.12	11
OPR2_PRT1_02	2A	RW	–	00	0.12	11
OP_SEL_03	2B	RW	–	00	0.12	11
OPR1_PRT0_03	2C	RW	–	00	0.12	11
OPR1_PRT1_03	2D	RW	–	00	0.12	11
OPR2_PRT0_03	2E	RW	–	00	0.12	11
OPR2_PRT1_03	2F	RW	–	00	0.12	11
OP_SEL_04	30	RW	–	00	0.12	11
OPR1_PRT0_04	31	RW	–	00	0.12	11
OPR1_PRT1_04	32	RW	–	00	0.12	11
OPR2_PRT0_04	33	RW	–	00	0.12	11
OPR2_PRT1_04	34	RW	–	00	0.12	11
OP_SEL_10	35	RW	–	00	0.12	11
OPR1_PRT0_10	36	RW	–	00	0.12	11
OPR1_PRT1_10	37	RW	–	00	0.12	11
OPR2_PRT0_10	38	RW	–	00	0.12	11
OPR2_PRT1_10	39	RW	–	00	0.12	11
OP_SEL_11	3A	RW	–	00	0.12	11
OPR1_PRT0_11	3B	RW	–	00	0.12	11
OPR1_PRT1_11	3C	RW	–	00	0.12	11
OPR2_PRT0_11	3D	RW	–	00	0.12	11
OPR2_PRT1_11	3E	RW	–	00	0.12	11
OP_SEL_12	3F	RW	–	00	0.12	11
OPR1_PRT0_12	40	RW	–	00	0.12	11
OPR1_PRT1_12	41	RW	–	00	0.12	11
OPR2_PRT0_12	42	RW	–	00	0.12	11
OPR2_PRT1_12	43	RW	–	00	0.12	11
OP_SEL_13	44	RW	–	00	0.12	11
OPR1_PRT0_13	45	RW	–	00	0.12	11
OPR1_PRT1_13	46	RW	–	00	0.12	11
OPR2_PRT0_13	47	RW	–	00	0.12	11
OPR2_PRT1_13	48	RW	–	00	0.12	11
OP_SEL_14	49	RW	–	00	0.12	11
OPR1_PRT0_14	4A	RW	–	00	0.12	11
OPR1_PRT1_14	4B	RW	–	00	0.12	11
OPR2_PRT0_14	4C	RW	–	00	0.12	11
OPR2_PRT1_14	4D	RW	–	00	0.12	11
CS_NOISE_TH	4E	RW	–	28	0.11	11
CS_BL_UPD_TH	4F	RW	–	64	0.11	11
CS_SETL_TIME	50	RW	YES	A0	–	35
CS_OTH_SET	51	RW	YES	00	–	35
CS_HYSTERISIS	52	RW	–	0A	0.11	11
CS_DEBOUNCE	53	RW	–	03	0.11	11

Register Map (continued)

Name	Register Address (in Hex)	Access	Writable Only in SETUP Mode ^[13]	Factory Default Values of Registers (in Hex)	I2C Max ACK Time in Normal Mode (ms)	I2C Max ACK Time in Setup Mode (ms)
CS_NEG_NOISE_TH	54	RW	–	14	0.11	11
CS_LOW_BL_RST	55	RW	–	14	0.11	11
CS_FILTERING	56	RW	–	20	0.11	11
CS_SCAN_POS_00	57	RW	YES	FF	–	11
CS_SCAN_POS_01	58	RW	YES	FF	–	11
CS_SCAN_POS_02	59	RW	YES	FF	–	11
CS_SCAN_POS_03	5A	RW	YES	FF	–	11
CS_SCAN_POS_04	5B	RW	YES	FF	–	11
CS_SCAN_POS_10	5C	RW	YES	FF	–	11
CS_SCAN_POS_11	5D	RW	YES	FF	–	11
CS_SCAN_POS_12	5E	RW	YES	FF	–	11
CS_SCAN_POS_13	5F	RW	YES	FF	–	11
CS_SCAN_POS_14	60	RW	YES	FF	–	11
CS_FINGER_TH_00	61	RW	–	64	0.14	11
CS_FINGER_TH_01	62	RW	–	64	0.14	11
CS_FINGER_TH_02	63	RW	–	64	0.14	11
CS_FINGER_TH_03	64	RW	–	64	0.14	11
CS_FINGER_TH_04	65	RW	–	64	0.14	11
CS_FINGER_TH_10	66	RW	–	64	0.14	11
CS_FINGER_TH_11	67	RW	–	64	0.14	11
CS_FINGER_TH_12	68	RW	–	64	0.14	11
CS_FINGER_TH_13	69	RW	–	64	0.14	11
CS_FINGER_TH_14	6A	RW	–	64	0.14	11
CS_IDAC_00	6B	RW	–	0A	0.14	11
CS_IDAC_01	6C	RW	–	0A	0.14	11
CS_IDAC_02	6D	RW	–	0A	0.14	11
CS_IDAC_03	6E	RW	–	0A	0.14	11
CS_IDAC_04	6F	RW	–	0A	0.14	11
CS_IDAC_10	70	RW	–	0A	0.14	11
CS_IDAC_11	71	RW	–	0A	0.14	11
CS_IDAC_12	72	RW	–	0A	0.14	11
CS_IDAC_13	73	RW	–	0A	0.14	11
CS_IDAC_14	74	RW	–	0A	0.14	11
	75 ^[16]					
	76 ^[16]					
	77 ^[16]					
	78 ^[16]					
I2C_ADDR_LOCK	79	RW	–	01	0.11	11
DEVICE_ID	7A	R	–	42/40/60/80/10 ^[17]	0.11	11
DEVICE_STATUS	7B	R	–	03	0.11	11
I2C_ADDR_DM	7C	RW	–	00	0.11	11

Notes

- 16. The register 0x75–0x78, 0x7D and 0x8A–0x8D are reserved.
- 17. The Device ID for different devices are tabulated in [Device IDs on page 17](#).

Register Map (continued)

Name	Register Address (in Hex)	Access	Writable Only in SETUP Mode ^[13]	Factory Default Values of Registers (in Hex)	I2C Max ACK Time in Normal Mode (ms)	I2C Max ACK Time in Setup Mode (ms)
	7D ^[19]					
SLEEP_PIN	7E	RW	YES	00	0.1	11
SLEEP_CTRL	7F	RW	–	00	0.1	11
SLEEP_SA_CNTR	80	RW	–	00	0.1	11
CS_READ_BUTTON	81	RW	–	00	0.12	11
CS_READ_BLM	82	R	–	00	0.12	11
CS_READ_BLL	83	R	–	00	0.12	11
CS_READ_DIFFM	84	R	–	00	0.12	11
CS_READ_DIFFL	85	R	–	00	0.12	11
CS_READ_RAWM	86	R	–	00	0.12	11
CS_READ_RAWL	87	R	–	00	0.12	11
CS_READ_STATUSM	88	R	–	00	0.12	11
CS_READ_STATUSL	89	R	–	00	0.12	11
	8A ^[19]					
	8B ^[19]					
	8C ^[19]					
	8D ^[19]					
COMMAND_REG	A0	W	–	00	0.1	11

Notes

18. These registers are writable only after entering into setup mode. All the other registers available for read and write in Normal as well as in Setup mode.

19. The register 0x75–0x78, 0x7D and 0x8A–0x8D are reserved.

Device IDs

Part Number	Device ID
CY8C20142	42
CY8C20140	40
CY8C20160	60
CY8C20180	80
CY8C20110	10

Note All the Ack times specified are maximum values with all buttons enabled and filer enabled with maximum order.

CapSense Express Commands

Command ^[20]	Description	Executable Mode	Duration the Device is not accessible after ACK (in ms)
W 00 A0 00	Get firmware revision	Setup/Normal	0
W 00 A0 01	Store current configuration to NVM	Setup/Normal	120
W 00 A0 02	Restore factory configuration	Setup/Normal	120
W 00 A0 03	Write NVM POR defaults	Setup/Normal	120
W 00 A0 04	Read NVM POR defaults	Setup/Normal	5
W 00 A0 05	Read current configurations (RAM)	Setup/Normal	5
W 00 A0 06	Reconfigure device (POR)	Setup	5
W 00 A0 07	Set normal mode of operation	Setup/Normal	0
W 00 A0 08	Set setup mode of operation	Setup/Normal	0
W 00 A0 09	Start scan	Setup/Normal	10
W 00 A0 0A	Stop scan	Setup/Normal	5
W 00 A0 0B	Get CapSense scan status	Setup/Normal	0

Register Conventions

This table lists the register conventions that are specific to this section.

Convention	Description
RW	Register has both read and write access
R	Register has only read access

Note

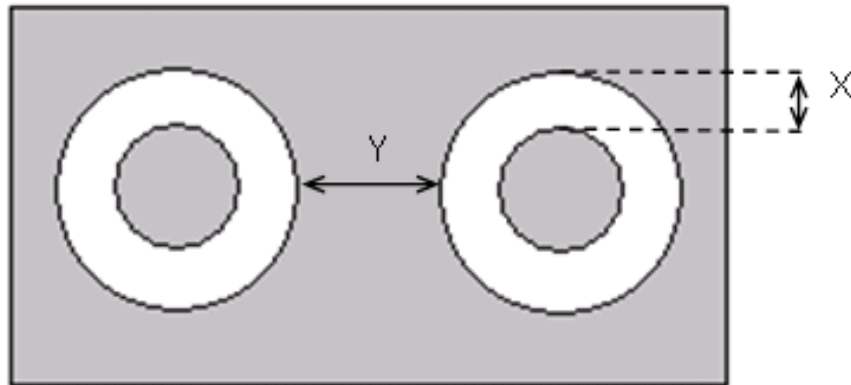
²⁰. The 'W' indicates the write transfer. The next byte of data represents the 7-bit I2C address.

Layout Guidelines and Best Practices

CapSense Button Shapes



Button Layout Design



X: Button to ground clearance (Refer to [Table 2 on page 18](#))

Y: Button to button clearance (Refer to [Table 2 on page 18](#))

Recommended via Hole Placement

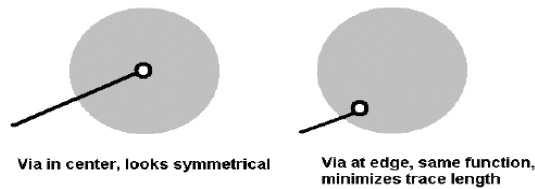


Table 2. Recommended Layout Guidelines and Best Practices

S. No.	Category	Min	Max	Recommendations/Remarks
1	Button shape	–	–	Solid round pattern, round with LED hole, rectangle with round corners
2	Button size	5 mm	15 mm	10 mm
3	Button-button spacing	Equal to button ground clearance	–	8 mm [X]
4	Button ground clearance	0.5 mm	2 mm	Button ground clearance = Overlay thickness [Y]
5	Ground flood-top layer	–	–	Hatched ground 7-mil trace and 45-mil grid (15% filling)
6	Ground flood-bottom layer	–	–	Hatched ground 7-mil trace and 70-mil grid (10% filling)
7	Trace length from sensor to PSoC-buttons	–	200 mm	< 100 mm
8	Trace width	0.17 mm	0.20 mm	0.17 mm (7-mil)

Table 2. Recommended Layout Guidelines and Best Practices (continued)

S. No.	Category	Min	Max	Recommendations/Remarks
9	Trace routing	–	–	Traces should be routed on the non sensor side. If any non CapSense trace crosses CapSense trace, ensure that intersection is orthogonal.
10	Via position for the sensors	–	–	Via should be placed near the edge of the button/slider to reduce trace length thereby increasing sensitivity.
11	Via hole size for sensor traces	–	–	10-mil
12	Number of vias on sensor trace	1	2	1
13	CapSense series resistor placement	–	10 mm	Place CapSense series resistors close to PSoC for noise suppression. CapSense resistors have highest priority place them first.
14	Distance between any CapSense trace to ground flood	10-mil	20-mil	20-mil
15	Device placement	–	–	Mount the device on the layer opposite to sensor. The CapSense trace length between the device and sensors should be minimum
16	Placement of components in 2-layer PCB	–	–	Top layer – sensor pads and bottom layer – PSoC, other components, and traces.
17	Placement of components in 4-layer PCB	–	–	Top layer – sensor pads, second layer – CapSense traces, third layer – hatched ground, bottom layer – PSoC, other components, and non CapSense traces
18	Overlay material	–	–	Should to be non conductive material. Glass, ABS plastic, Formica
19	Overlay adhesives	–	–	Adhesive should be non conductive and dielectrically homogenous. 467MP and 468MP adhesives made by 3M are recommended.
20	LED back lighting	–	–	Cut a hole in the sensor pad and use rear mountable LEDs. Refer the PCB layout below.
21	Board thickness	–	–	Standard board thickness for CapSense FR4 based designs is 1.6 mm.

The recommended maximum overlay thickness is 5 mm (with external CSInt)/ 2 mm (without external CSInt). For more details refer to the section “The Integrating Capacitor (Cint)” in [AN53490](#).

Note Some device packages does not have CSInt pin and external capacitor cannot be connected.

Example PCB Layout Design with Two CapSense Buttons and Two LEDs

Figure 10. Top Layer

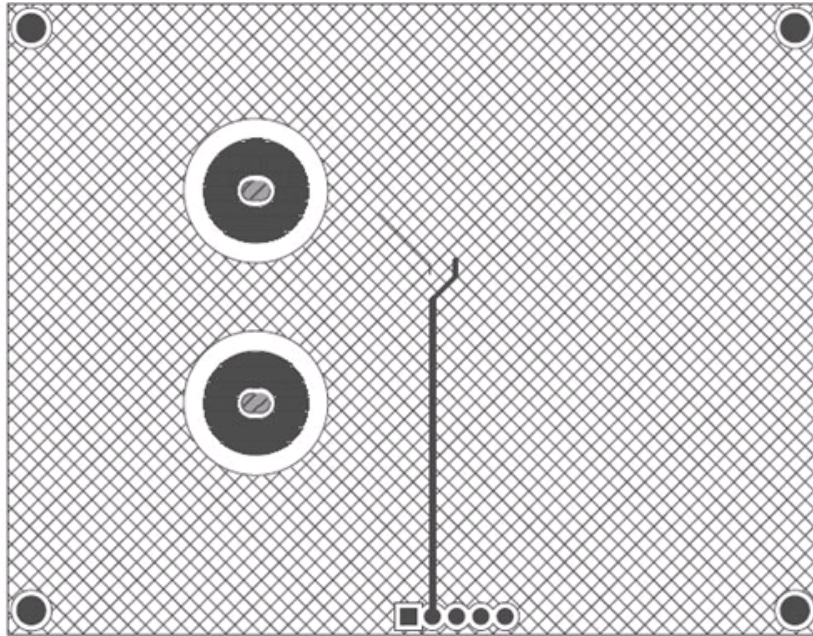
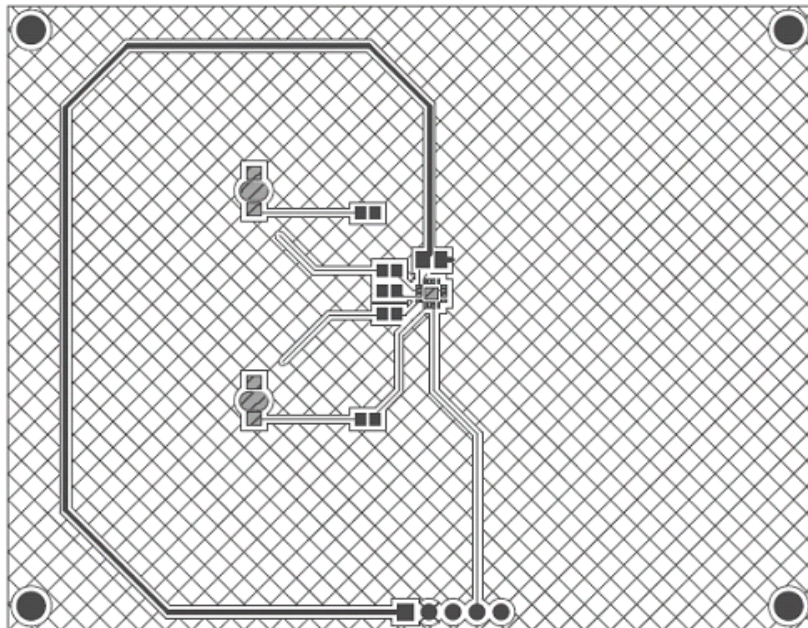


Figure 11. Bottom Layer



Operating Voltages

5.25				
4.72				
3.60				
3.10				
3.02				
2.90				
2.45				
2.40				
1.80				
0				
	Valid Device Operating range	Valid CapSense Operating range	I2C 1x Ack mode	I2C 4x Ack mode

For details on I²C 1x ACK time, refer to [Register Map on page 13](#) and [CapSense Express Commands on page 17](#). I²C 4x ACK time is approximately four times the values mentioned in these tables.

CapSense Constraints

Parameter	Min	Typ	Max	Units	Notes
Parasitic capacitance (C _P) of the CapSense sensor	–	–	30	pF	
Supply voltage variation (V _{DD})	–	–	±5%	–	

Absolute Maximum Ratings

Parameter	Description	Min	Typ	Max	Unit	Notes
T _{STG}	Storage temperature	-55	25	+100	°C	Higher storage temperatures reduce data retention time. Recommended storage temperature is +25 °C ± 25 °C (0 °C to 50 °C). Extended duration storage temperatures above 65 °C degrade reliability
T _{BAKETEMP}	Bake temperature	-	125	See Package label	°C	
t _{BAKETIME}	Bake time	See package label	-	72	Hours	
T _A	Ambient temperature with power applied	-40	-	+85	°C	
V _{DD}	Supply voltage on V _{DD} relative to V _{SS}	-0.5	-	+6.0	V	
V _{IO}	DC input voltage	V _{SS} - 0.5	-	V _{DD} + 0.5	V	
V _{IOZ}	DC voltage applied to tristate	V _{SS} - 0.5	-	V _{DD} + 0.5	V	
I _{MIO}	Maximum current into any GPIO pin	-25	-	+50	mA	
ESD	Electro static discharge voltage	2000	-	-	V	Human body model ESD
LU	Latch-up current	-	-	200	mA	

Operating Temperature

Parameter	Description	Min	Typ	Max	Unit	Notes
T _A	Ambient temperature	-40	-	+85	°C	
T _J	Junction temperature	-40	-	+100	°C	

Electrical Specifications

DC Electrical Specifications

DC Chip Level Specifications

Table 3. DC Chip Level Specifications

Parameter	Description	Min	Typ	Max	Unit	Notes
V _{DD}	Supply voltage	2.40	–	5.25	V	
I _{DD}	Supply current	–	1.5	2.5	mA	Conditions are V _{DD} = 3.10 V, T _A = 25 °C
ISB	Deep sleep mode current with POR and LVD active	–	2.6	4	μA	V _{DD} = 2.55 V, 0 °C < T _A < 40 °C
ISB	Deep sleep mode current with POR and LVD active	–	2.8	5	μA	V _{DD} = 3.3 V, –40 °C < T _A < 85 °C
ISB	Deep sleep mode current with POR and LVD active	–	5.2	6.4	μA	V _{DD} = 5.25 V, –40 °C < T _A < 85 °C

DC GPIO Specifications

This table lists guaranteed maximum and minimum specifications for the voltage and temperature ranges: 4.75 V to 5.25 V and –40 °C ≤ T_A ≤ 85 °C, 3.10 V to 3.6 V and –40 °C ≤ T_A ≤ 85 °C. Typical parameters apply to 5 V and 3.3 V at 25 °C and are for design guidance only.

Table 4. 5-V and 3.3-V DC GPIO Specifications

Parameter	Description	Min	Typ	Max	Unit	Notes
V _{OH1}	High output voltage on Port 0 pins	V _{DD} – 0.2	–	–	V	I _{OH} < 10 μA, V _{DD} > 3.10 V, maximum of 20 mA source current in all I/Os.
V _{OH2}	High output voltage on Port 0 pins	V _{DD} – 0.9	–	–	V	I _{OH} = 1 mA, V _{DD} > 3.10 V, maximum of 20 mA source current in all I/Os.
V _{OH3}	High output voltage on Port 1 pins	V _{DD} – 0.2	–	–	V	I _{OH} < 10 μA, V _{DD} > 3.10 V, maximum of 20 mA source current in all I/Os.
V _{OH4}	High output voltage on Port 1 pins	V _{DD} – 0.9	–	–	V	I _{OH} = 5 mA, V _{DD} > 3.10 V, maximum of 20 mA source current in all I/Os.
V _{OL}	Low output voltage	–	–	0.75	V	I _{OL} = 20 mA/pin, V _{DD} > 3.10, maximum of 40/60 mA sink current on even port pins and of 40/60 mA sink current on odd port pins. ^[21]
I _{OH1}	High output current on Port 0 pins	0.01	–	1	mA	V _{DD} ≥ 3.1 V, maximum of 20 mA source current in all IOs
I _{OH2}	High output current on Port 1 pins	0.01	–	5	mA	V _{DD} ≥ 3.1 V, maximum of 20 mA source current in all IOs
I _{OL}	Low output current	–	–	20	mA	V _{DD} ≥ 3.1 V, maximum of 60 mA sink current on pins P0_2, P1_2, P1_3, P1_4 and 60 mA sink current on pins P0_0, P0_1, P0_3, P0_4, P1_0, P1_1
V _{IL}	Input low voltage	–	–	0.75	V	V _{DD} = 3.10 V to 3.6 V.
V _{IH}	Input high voltage	1.6	–	–	V	V _{DD} = 3.10 V to 3.6 V.
V _{IL}	Input low voltage	–	–	0.8	V	V _{DD} = 4.75 V to 5.25 V.
V _{IH}	Input high voltage	2.0	–	–	V	V _{DD} = 4.75 V to 5.25 V.

Note

21. The maximum sink current is 40 mA for 20140 and 20142 devices and for all other devices the maximum sink current is 60 mA.

Table 4. 5-V and 3.3-V DC GPIO Specifications (continued)

Parameter	Description	Min	Typ	Max	Unit	Notes
V_H	Input hysteresis voltage	–	140	–	mV	–
I_{IL}	Input leakage	–	1	–	nA	Gross tested to 1 μ A.
C_{IN}	Capacitive load on pins as input	0.5	1.7	5	pF	Package and pin dependent. Temp = 25 °C.
C_{OUT}	Capacitive load on pins as output	0.5	1.7	5	pF	Package and pin dependent. Temp = 25 °C.

This table lists guaranteed maximum and minimum specifications for the voltage and temperature ranges: 2.4 V to 2.90 V and $-40\text{ °C} < T_A < 85\text{ °C}$, respectively. Typical parameters apply to 2.7 V at 25 °C and are for design guidance only.

Table 5. 2.7-V DC GPIO Specifications

Parameter	Description	Min	Typ	Max	Unit	Notes
V_{OH1}	High output voltage on Port 0 pins	$V_{DD} - 0.2$	–	–	V	$I_{OH} < 10\text{ }\mu\text{A}$, maximum of 10 mA source current in all I/Os.
V_{OH2}	High output voltage on Port 0 pins	$V_{DD} - 0.5$	–	–	V	$I_{OH} = 0.2\text{ mA}$, maximum of 10 mA source current in all I/Os.
V_{OH3}	High output voltage on Port 1 pins	$V_{DD} - 0.2$	–	–	V	$I_{OH} < 10\text{ }\mu\text{A}$, maximum of 10 mA source current in all I/Os.
V_{OH4}	High output voltage on Port 1 pins	$V_{DD} - 0.5$	–	–	V	$I_{OH} = 2\text{ mA}$, maximum of 10 mA source current in all I/Os.
V_{OL1}	Low output voltage	–	–	0.75	V	$I_{OL} = 10\text{ mA/pin}$, $V_{DD} > 3.10$, maximum of 20/30 mA sink current on even port pins and of 20/30 mA sink current on odd port pins. [22]
I_{OH}	High output current	0.01	–	2	mA	$V_{DD} \leq 2.9\text{ V}$, maximum of 10 mA source current in all I/Os
I_{OL1}	Low output current on Port 0 pins	–	–	10	mA	$V_{DD} \leq 2.9\text{ V}$, maximum of 30 mA sink current on pins P0_2, P1_2, P1_3, P1_4 and 30 mA sink current on pins P0_0, P0_1, P0_3, P0_4, P1_0, P1_1
I_{OL2}	Low output current	–	–	20	mA	$V_{DD} \leq 2.9\text{ V}$, maximum of 50 mA sink current on pins P0_2, P1_2, P1_3, P1_4 and 50 mA sink current on pins P0_0, P0_1, P0_3, P0_4, P1_0, P1_1
V_{IL}	Input low voltage	–	–	0.75	V	$V_{DD} = 2.4\text{ to }2.90\text{ V and }3.10\text{ V to }3.6\text{ V}$.
V_{IH1}	Input high voltage	1.4	–	–	V	$V_{DD} = 2.4\text{ to }2.7\text{ V}$.
V_{IH2}	Input high voltage	1.6	–	–	V	$V_{DD} = 2.7\text{ to }2.90\text{ V and }3.10\text{ V to }3.6\text{ V}$.
V_H	Input hysteresis voltage	–	60	–	mV	
I_{IL}	Input leakage	–	1	–	nA	Gross tested to 1 μ A.
C_{IN}	Capacitive load on pins as input	0.5	1.7	5	pF	Package and pin dependent. Temp = 25 °C.
C_{OUT}	Capacitive load on pins as output	0.5	1.7	5	pF	Package and pin dependent. Temp = 25 °C

Note

22. The maximum sink current per port is 20 mA for 20140 and 20142 devices and for all other devices the maximum sink current is 30 mA.

DC POR and LVD Specifications

Table 6. DC POR and LVD Specifications

Parameter	Description	Min	Typ	Max	Unit	Notes
V _{PPOR0}	V _{DD} value for PPOR trip	–	2.36	2.40	V	V _{DD} must be greater than or equal to 2.5 V during startup or internal reset.
V _{PPOR1}	V _{DD} = 2.7 V V _{DD} = 3.3 V, 5 V	–	2.60	2.65	V	
V _{LVD0}	V _{DD} value for LVD trip					
V _{LVD2}	V _{DD} = 2.7 V	2.39	2.45	2.51	V	
V _{LVD6}	V _{DD} = 3.3 V	2.75	2.92	2.99	V	
	V _{DD} = 5 V	3.98	4.05	4.12	V	

DC Flash Write Specifications

This table lists guaranteed maximum and minimum specifications for the voltage and temperature ranges: 4.75 V to 5.25 V and –40 °C < T_A < 85 °C, 3.10 V to 3.6 V and –40 °C < T_A < 85 °C or 2.4 V to 2.90 V and –40 °C < T_A < 85 °C, respectively. Typical parameters apply to 5 V, 3.3 V, or 2.7 V at 25 °C. These are for design guidance only. Flash Endurance and Retention specifications are valid only within the range: 25 °C ± 20 °C during the flash write operation. It is at the user's own risk to operate out of this temperature range. If flash writing is done out of this temperature range, the endurance and data retention reduces.

Table 7. DC Flash Write Specifications

Symbol	Description	Min	Typ	Max	Units	Notes
V _{DDIWRITE}	Supply voltage for flash write operations	2.7	–	–	V	
I _{DDP}	Supply current for flash write operations	–	5	25	mA	
Flash _{ENPB}	Flash endurance	50,000 ^[23]	–	–	–	Erase/write cycles
Flash _{DR}	Flash data retention	10	–	–	Years	

DC I²C Specifications

This table lists guaranteed maximum and minimum specifications for the voltage and temperature ranges: 4.75 V to 5.25 V and –40 °C ≤ T_A ≤ 85 °C, 3.10 V to 3.6 V and –40 °C ≤ T_A ≤ 85 °C. Typical parameters apply to 5 V and 3.3 V at 25 °C and are for design guidance only.

Table 8. DC I²C Specifications

Symbol ^[24]	Description	Min	Typ	Max	Units	Notes
V _{IL12C}	Input low level	–	–	0.3 × V _{DD}	V	2.4 V ≤ V _{DD} ≤ 2.9 V 3.1 V ≤ V _{DD} ≤ 3.6 V
		–	–	0.25 × V _{DD}	V	4.75 V ≤ V _{DD} ≤ 5.25 V
V _{IH12C}	Input high level	0.7 × V _{DD}	–	–	V	2.4 V ≤ V _{DD} ≤ 5.25 V
V _{OLP}	Low output voltage	–	–	0.4	V	I _{OL} = 5 mA/pin
C _{12C}	Capacitive load on I ² C pins	0.5	1.7	5	pF	Package and pin dependent. Temp = 25 °C.
R _{PU}	Pull-up resistor	4	5.6	8	kΩ	–

Notes

23. Commands involving flash writes (0x01, 0x02, 0x03) and flash read (0x04) must be executed only within the same V_{CC} voltage range detected at POR (power on, or command 0x06) and above 2.7 V.

24. All GPIO meet the DC GPIO V_{IL} and V_{IH} specifications found in the DC GPIO Specifications sections. The I²C GPIO pins also meet the above specs.

CapSense Electrical Characteristics

Max (V)	Typ (V)	Min (V)	Conditions for Supply Voltage	Result
3.6	3.3	3.1	< 2.9	The device automatically reconfigures itself to work in 2.7 V mode of operation.
			> 2.9 or < 3.10	This range is not recommended for CapSense usage.
2.90	2.7	2.45	< 2.45 V	The scanning for CapSense parameters shuts down until the voltage returns to over 2.45 V.
			> 3.10	The device automatically reconfigures itself to work in 3.3 V mode of operation.
			< 2.4 V	The device goes into reset.
5.25	5.0	4.75	< 4.73 V	The scanning for CapSense parameters shuts down until the voltage returns to over 4.73 V.

AC Electrical Specifications

AC Chip-Level Specifications

Table 9. 5-V and 3.3-V AC Chip-Level Specifications

Parameter	Description	Min	Typ	Max	Units	Notes
F _{32K1}	Internal low-speed oscillator (ILO) frequency	15	32	64	kHz	Calculations during sleep operations are done based on ILO frequency.
t _{XRST}	External reset pulse width	10	–	–	Us	
t _{POWERUP}	Time from end of POR to CPU executing code	–	150	–	ms	
SR _{POWER_UP}	Power supply slew rate	–	–	250	V/ms	

Table 10. 2.7-V AC Chip-Level Specifications

Parameter	Description	Min	Typ	Max	Units	Notes
F _{32K1}	Internal low-speed oscillator (ILO) frequency	8	32	96	kHz	Calculations during sleep operations are done based on ILO frequency.
t _{XRST}	External reset pulse width	10	–	–	Us	
t _{POWERUP}	Time from end of POR to CPU executing code	–	600	–	ms	
SR _{POWER_UP}	Power supply slew rate	–	–	250	V/ms	

AC GPIO Specifications

Table 11. 5-V and 3.3-V AC GPIO Specifications

Parameter	Description	Min	Max	Unit	Notes
t_{Rise0}	Rise time, strong mode, Load = 50 pF, Port 0	15	80	ns	$V_{DD} = 3.10\text{ V to }3.6\text{ V and }4.75\text{ V to }5.25\text{ V, }10\%$ to 90%
t_{Rise1}	Rise time, strong mode, Load = 50 pF, Port 1	15	50	ns	$V_{DD} = 3.10\text{ V to }3.6\text{ V, }10\%$ to 90%
t_{Fall}	Fall time, strong mode, Load = 50 pF, all ports	10	50	ns	$V_{DD} = 3.10\text{ V to }3.6\text{ V and }4.75\text{ V to }5.25\text{ V, }10\%$ to 90%

Table 12. 2.7-V AC GPIO Specifications

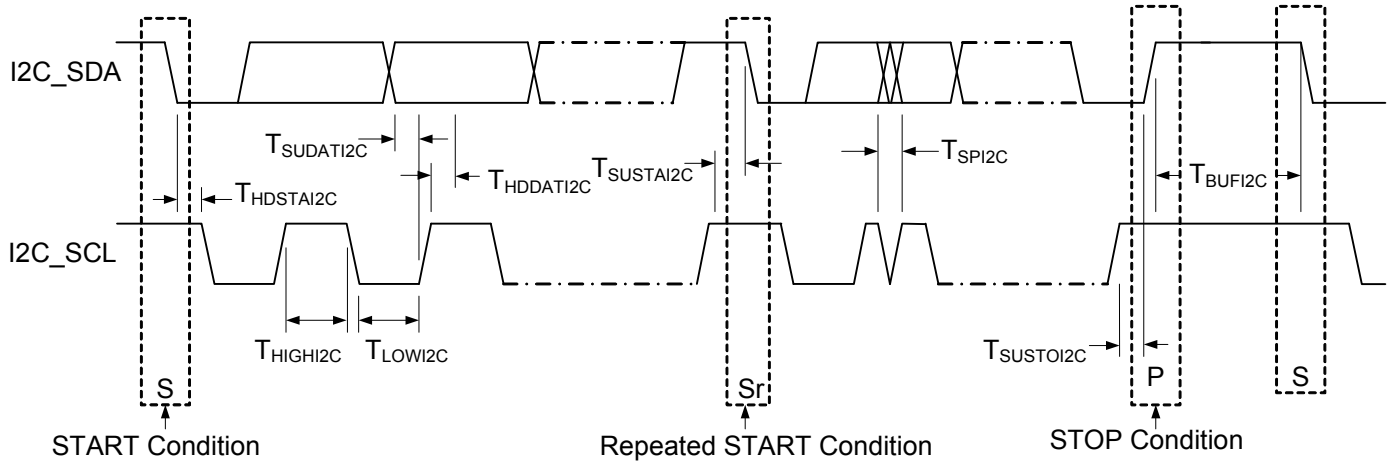
Parameter	Description	Min	Max	Unit	Notes
t_{Rise0}	Rise time, strong mode, Load = 50 pF, Port 0	15	100	ns	$V_{DD} = 2.4\text{ V to }2.90\text{ V, }10\%$ to 90%
t_{Rise1}	Rise time, strong mode, Load = 50 pF, Port 1	15	70	ns	$V_{DD} = 2.4\text{ V to }2.90\text{ V, }10\%$ to 90%
t_{Fall}	Fall time, strong mode, Load = 50 pF	10	70	ns	$V_{DD} = 2.4\text{ V to }2.90\text{ V, }10\%$ to 90%

AC I²C Specifications

Table 13. AC I²C Specifications

Parameter	Description	Standard Mode		Fast Mode		Units	Notes
		Min	Max	Min	Max		
$F_{SCL}^{I^2C}$	SCL clock frequency	0	100	0	400	kbps	Fast mode not supported for $V_{DD} < 3.0\text{ V}$.
$t_{HDSTA}^{I^2C}$	Hold time (repeated) START condition. After this period, the first clock pulse is generated	4.0	–	0.6	–	μs	
$t_{LOW}^{I^2C}$	LOW period of the SCL clock	4.7	–	1.3	–	μs	
$t_{HIGH}^{I^2C}$	HIGH period of the SCL clock	4.0	–	0.6	–	μs	
$t_{SUSTA}^{I^2C}$	Setup time for a repeated START condition	4.7	–	0.6	–	μs	
$t_{HDDAT}^{I^2C}$	Data hold time	0	–	0	–	μs	
$t_{SUDAT}^{I^2C}$	Data setup time	250	–	100	–	ns	
$t_{SUSTO}^{I^2C}$	Setup time for STOP condition	4.0	–	0.6	–	μs	
$t_{BUF}^{I^2C}$	BUS free time between a STOP and START condition	4.7	–	1.3	–	μs	
$t_{Sp}^{I^2C}$	Pulse width of spikes suppressed by the input filter	–	–	0	50	ns	

Figure 12. Definition of Timing for Fast/Standard Mode on the I²C Bus



Appendix

Examples of Frequently Used I²C Commands

S. No.	Requirement	I ² C commands ^[25]	Comment
1	Enter into setup mode	W 00 A0 08	
2	Enter into normal mode	W 00 A0 07	
3	Load factory defaults to RAM registers	W 00 A0 02	
4	Do a software reset	W 00 A0 08 W 00 A0 06	Enter into setup mode Do software reset
5	Save current configuration to flash	W 00 A0 01	
6	Load factory defaults to RAM registers and save as user configuration	W 00 A0 08 W 00 A0 02 W 00 A0 01 W 00 A0 06	Enter into setup mode Load factory defaults to SRAM Save the configuration to flash. Wait for time specified in CapSense Express Commands on page 17 . Do software reset
7	Enable GP00 as CapSense button	W 00 A0 08 W 00 06 01 W 00 A0 01 W 00 A0 06	Enter into setup mode Configuring CapSense buttons Save the configuration to flash. Wait for time specified in CapSense Express Commands on page 17 . Do software reset
8	Read CapSense button(GP00) scan results	W 00 81 01 W 00 82 R 00 RD. RD. RD.	Select CapSense button for reading scan result Set the read point to 82h Consecutive 6 reads get baseline, difference count and raw count (all two byte each)
9	Read CapSense button status register	W 00 88 R 00 RD	Set the read pointer to 88 Reading a byte gets status CapSense inputs

Note

25. The 'W' indicates the write transfer and the next byte of data represents the 7-bit I2C address. The I2C address is assumed to be '0' in the above examples. Similarly 'R' indicates the read transfer followed by 7-bit address and data byte read operations.

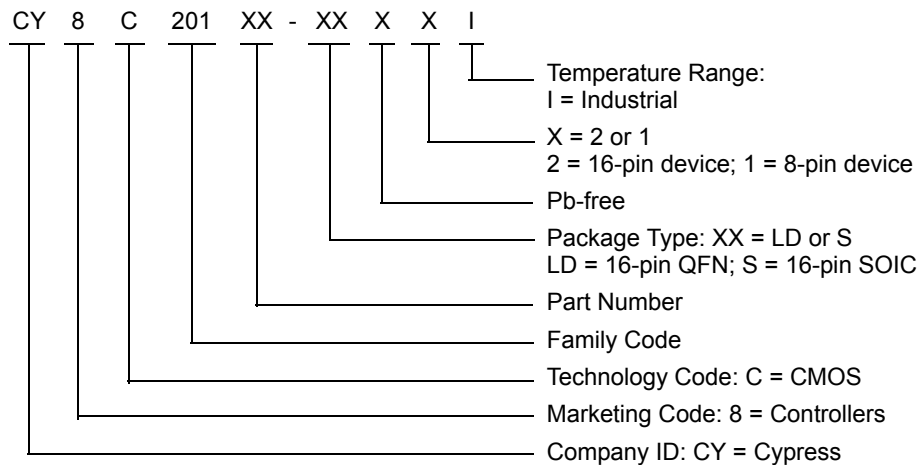
Ordering Information

Table 14. Key Features and Ordering Information

Ordering Code	Package Diagram	Package Type	Operating Temperature	CapSense Block	GPIOs	XRES Pin
CY8C20110-LDX2I	001-09116	16-pin QFN ^[26]	Industrial	Yes	10	Yes
CY8C20110-SX2I	51-85068	16-pin SOIC	Industrial	Yes	10	Yes
CY8C20180-LDX2I	001-09116	16-pin QFN ^[26]	Industrial	Yes	08	Yes
CY8C20180-SX2I	51-85068	16-pin SOIC	Industrial	Yes	08	Yes
CY8C20160-LDX2I	001-09116	16-pin QFN ^[26]	Industrial	Yes	06	Yes
CY8C20160-SX2I	51-85068	16-pin SOIC	Industrial	Yes	06	Yes
CY8C20140-LDX2I	001-09116	16-pin QFN ^[26]	Industrial	Yes	04	Yes
CY8C20140-SX2I	51-85068	16-pin SOIC	Industrial	Yes	04	Yes
CY8C20142-SX1I	51-85066	8-pin SOIC	Industrial	Yes	04	No

Note For die sales information, contact a local Cypress sales office or Field Applications Engineer (FAE).

Ordering Code Definitions



Note

²⁶. Earlier termed as QFN package.

Thermal Impedances

Table 15. Thermal Impedances by Package

Package	Typical θ_{JA} ^[27]
16-pin QFN[1]	46 °C/W
16-pin SOIC	79.96 °C/W
8-pin SOIC	127.22 °C/W

Solder Reflow Specifications

Table 16. Solder Reflow Specifications

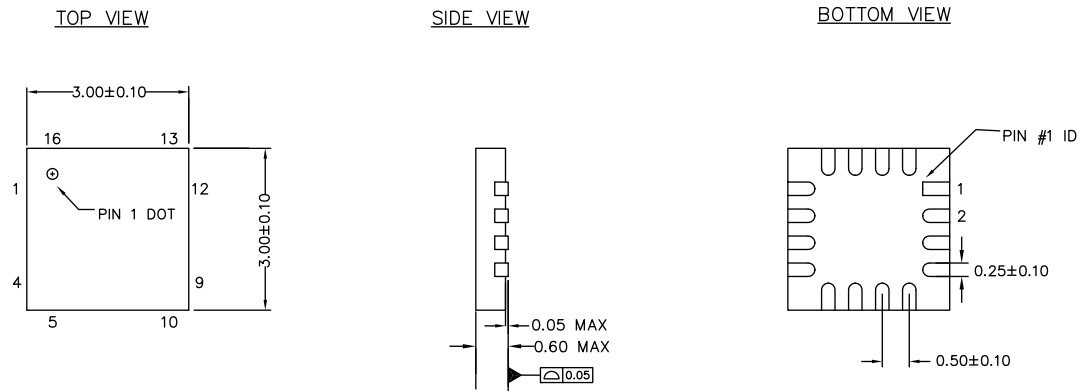
Package	Maximum Peak Temperature (T _C)	Maximum Time above T _C – 5 °C
16-pin QFN[1]	260 °C	30 seconds
16-pin SOIC	260 °C	30 seconds
8-pin SOIC	260 °C	30 seconds

Note

27. $T_J = T_A + \text{Power} \times \theta_{JA}$.

Package Diagrams

Figure 13. 16-pin Chip On Lead (3 × 3 × 0.6 mm) LG16A/LD16A (Sawn) Package Outline, 001-09116



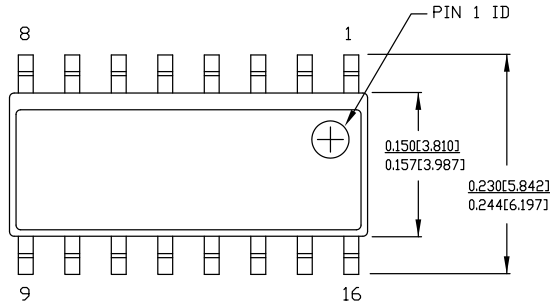
NOTES

1. REFERENCE JEDEC # MO-220
2. PACKAGE WEIGHT: 14 ± 1 mg
3. ALL DIMENSIONS ARE IN MILLIMETERS

001-09116 *G

Package Diagrams (continued)

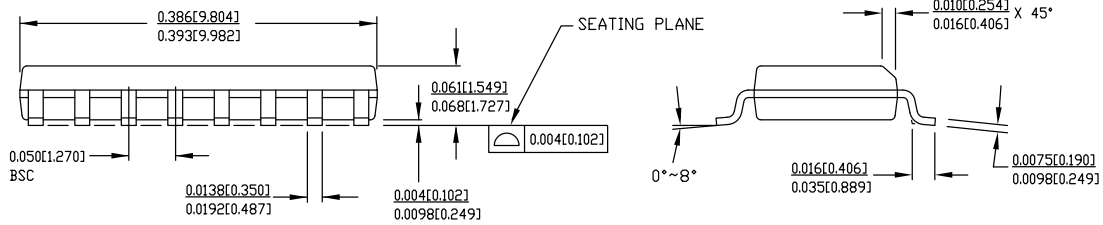
Figure 14. 16-pin SOIC (150 Mils) S16.15/SZ16.15 Package Outline, 51-85068



NOTE:

1. DIMENSIONS IN INCHES[MM] **MAX.**
2. REFERENCE JEDEC MS-012
3. PACKAGE WEIGHT : refer to PMDD spec. 001-04308

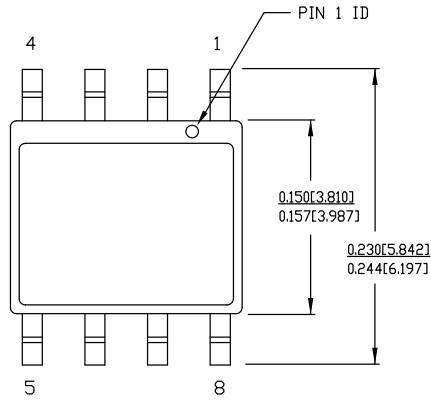
PART #	
S16.15	STANDARD PKG.
SZ16.15	LEAD FREE PKG.



51-85068 *E

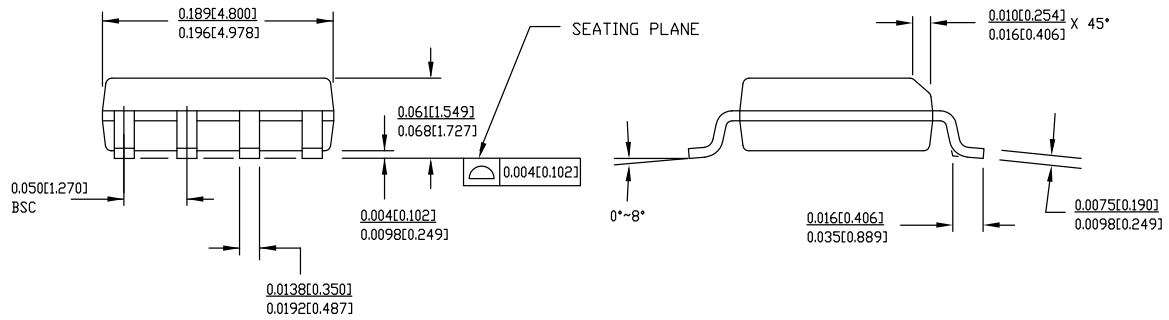
Package Diagrams (continued)

Figure 15. 8-pin SOIC (150 Mils) S08.15/SZ08.15 Package Outline, 51-85066



1. DIMENSIONS IN INCHES[MM] MIN.
MAX.
2. PIN 1 ID IS OPTIONAL,
ROUND ON SINGLE LEADFRAME
RECTANGULAR ON MATRIX LEADFRAME
3. REFERENCE JEDEC MS-012
4. PACKAGE WEIGHT 0.07gms

PART #	
S08.15	STANDARD PKG.
SZ08.15	LEAD FREE PKG.



51-85066 *E

Acronyms

Table 17 lists the acronyms that are used in this document.

Table 17. Acronyms Used in this Datasheet

Acronym	Description	Acronym	Description
AC	alternating current	LVD	low voltage detect
CMOS	complementary metal oxide semiconductor	MCU	microcontroller unit
DC	direct current	PCB	printed circuit board
EEPROM	electrically erasable programmable read-only memory	POR	power on reset
EMC	electromagnetic compatibility	PPOR	precision power on reset
GPIO	general-purpose I/O	PSoC [®]	Programmable System-on-Chip
I/O	input/output	PWM	pulse width modulator
IDAC	current DAC	QFN	quad flat no leads
ILO	internal low speed oscillator	RF	radio frequency
LCD	liquid crystal display	SOIC	small-outline integrated circuit
LDO	low dropout regulator	SRAM	static random access memory
LED	light-emitting diode	XRES	external reset
LSB	least-significant bit		

Reference Documents

CapSense Express Power and Sleep Considerations – AN44209 (001-44209)

Application Notes for Surface Mount Assembly of Amkor's MicroLeadFrame (MLF) Packages – available at <http://www.amkor.com>.

Document Conventions

Units of Measure

Table 18 lists the units of measures.

Table 18. Units of Measure

Symbol	Unit of Measure	Symbol	Unit of Measure
°C	degree Celsius	mm	millimeter
Hz	hertz	ms	millisecond
kbps	kilo bits per second	mV	millivolt
kHz	kilohertz	nA	nanoampere
kΩ	kilohm	ns	nanosecond
LSB	least significant bit	%	percent
μA	microampere	pF	picofarad
μF	microfarad	V	volt
μs	microsecond	W	watt
mA	milliampere		

Numeric Conventions

Hexadecimal numbers are represented with all letters in uppercase with an appended lowercase 'h' (for example, '14h' or '3Ah'). Hexadecimal numbers may also be represented by a '0x' prefix, the C coding convention. Binary numbers have an appended lowercase 'b' (for example, '01010100b' or '01000011b'). Numbers not indicated by an 'h' or 'b' are decimals.

Glossary

active high	<ol style="list-style-type: none">1. A logic signal having its asserted state as the logic 1 state.2. A logic signal having the logic 1 state as the higher voltage of the two states.
analog blocks	The basic programmable opamp circuits. These are SC (switched capacitor) and CT (continuous time) blocks. These blocks can be interconnected to provide ADCs, DACs, multi-pole filters, gain stages, and much more.
analog-to-digital (ADC)	A device that changes an analog signal to a digital signal of corresponding magnitude. Typically, an ADC converts a voltage to a digital number. The digital-to-analog (DAC) converter performs the reverse operation.
Application programming interface (API)	A series of software routines that comprise an interface between a computer application and lower level services and functions (for example, user modules and libraries). APIs serve as building blocks for programmers that create software applications.
asynchronous	A signal whose data is acknowledged or acted upon immediately, irrespective of any clock signal.
Bandgap reference	A stable voltage reference design that matches the positive temperature coefficient of V_T with the negative temperature coefficient of V_{BE} , to produce a zero temperature coefficient (ideally) reference.
bandwidth	<ol style="list-style-type: none">1. The frequency range of a message or information processing system measured in hertz.2. The width of the spectral region over which an amplifier (or absorber) has substantial gain (or loss); it is sometimes represented more specifically as, for example, full width at half maximum.
bias	<ol style="list-style-type: none">1. A systematic deviation of a value from a reference value.2. The amount by which the average of a set of values departs from a reference value.3. The electrical, mechanical, magnetic, or other force (field) applied to a device to establish a reference level to operate the device.
block	<ol style="list-style-type: none">1. A functional unit that performs a single function, such as an oscillator.2. A functional unit that may be configured to perform one of several functions, such as a digital PSoC block or an analog PSoC block.
buffer	<ol style="list-style-type: none">1. A storage area for data that is used to compensate for a speed difference, when transferring data from one device to another. Usually refers to an area reserved for I/O operations, into which data is read, or from which data is written.2. A portion of memory set aside to store data, often before it is sent to an external device or as it is received from an external device.3. An amplifier used to lower the output impedance of a system.
bus	<ol style="list-style-type: none">1. A named connection of nets. Bundling nets together in a bus makes it easier to route nets with similar routing patterns.2. A set of signals performing a common function and carrying similar data. Typically represented using vector notation; for example, <code>address[7:0]</code>.3. One or more conductors that serve as a common connection for a group of related devices.
clock	The device that generates a periodic signal with a fixed frequency and duty cycle. A clock is sometimes used to synchronize different logic blocks.
comparator	An electronic circuit that produces an output voltage or current whenever two input levels simultaneously satisfy predetermined amplitude requirements.
compiler	A program that translates a high level language, such as C, into machine language.

Glossary *(continued)*

configuration space	In PSoC devices, the register space accessed when the XIO bit, in the CPU_F register, is set to '1'.
crystal oscillator	An oscillator in which the frequency is controlled by a piezoelectric crystal. Typically a piezoelectric crystal is less sensitive to ambient temperature than other circuit components.
cyclic redundancy check (CRC)	A calculation used to detect errors in data communications, typically performed using a linear feedback shift register. Similar calculations may be used for a variety of other purposes such as data compression.
data bus	A bi-directional set of signals used by a computer to convey information from a memory location to the central processing unit and vice versa. More generally, a set of signals used to convey data between digital functions.
debugger	A hardware and software system that allows you to analyze the operation of the system under development. A debugger usually allows the developer to step through the firmware one step at a time, set break points, and analyze memory.
dead band	A period of time when neither of two or more signals are in their active state or in transition.
digital blocks	The 8-bit logic blocks that can act as a counter, timer, serial receiver, serial transmitter, CRC generator, pseudo-random number generator, or SPI.
digital-to-analog (DAC)	A device that changes a digital signal to an analog signal of corresponding magnitude. The analog-to-digital (ADC) converter performs the reverse operation.
duty cycle	The relationship of a clock period high time to its low time, expressed as a percent.
emulator	Duplicates (provides an emulation of) the functions of one system with a different system, so that the second system appears to behave like the first system.
External Reset (XRES)	An active high signal that is driven into the PSoC device. It causes all operation of the CPU and blocks to stop and return to a pre-defined state.
Flash	An electrically programmable and erasable, non-volatile technology that provides you the programmability and data storage of EPROMs, plus in-system erasability. Non-volatile means that the data is retained when power is OFF.
Flash block	The smallest amount of Flash ROM space that may be programmed at one time and the smallest amount of Flash space that may be protected. A Flash block holds 64 bytes.
frequency	The number of cycles or events per unit of time, for a periodic function.
gain	The ratio of output current, voltage, or power to input current, voltage, or power, respectively. Gain is usually expressed in dB.
I ² C	A two-wire serial computer bus by Philips Semiconductors (now NXP Semiconductors). I ² C is an Inter-Integrated Circuit. It is used to connect low-speed peripherals in an embedded system. The original system was created in the early 1980s as a battery control interface, but it was later used as a simple internal bus system for building control electronics. I ² C uses only two bi-directional pins, clock and data, both running at +5 V and pulled high with resistors. The bus operates at 100 kbits/second in standard mode and 400 kbits/second in fast mode.
ICE	The in-circuit emulator that allows you to test the project in a hardware environment, while viewing the debugging device activity in a software environment (PSoC Designer).
input/output (I/O)	A device that introduces data into or extracts data from a system.

Glossary (continued)

interrupt	A suspension of a process, such as the execution of a computer program, caused by an event external to that process, and performed in such a way that the process can be resumed.
interrupt service routine (ISR)	A block of code that normal code execution is diverted to when the M8C receives a hardware interrupt. Many interrupt sources may each exist with its own priority and individual ISR code block. Each ISR code block ends with the RETI instruction, returning the device to the point in the program where it left normal program execution.
jitter	<ol style="list-style-type: none"> 1. A misplacement of the timing of a transition from its ideal position. A typical form of corruption that occurs on serial data streams. 2. The abrupt and unwanted variations of one or more signal characteristics, such as the interval between successive pulses, the amplitude of successive cycles, or the frequency or phase of successive cycles.
low-voltage detect (LVD)	A circuit that senses V_{DD} and provides an interrupt to the system when V_{DD} falls lower than a selected threshold.
M8C	An 8-bit Harvard-architecture microprocessor. The microprocessor coordinates all activity inside a PSoC by interfacing to the Flash, SRAM, and register space.
master device	A device that controls the timing for data exchanges between two devices. Or when devices are cascaded in width, the master device is the one that controls the timing for data exchanges between the cascaded devices and an external interface. The controlled device is called the slave device .
microcontroller	An integrated circuit chip that is designed primarily for control systems and products. In addition to a CPU, a microcontroller typically includes memory, timing circuits, and I/O circuitry. The reason for this is to permit the realization of a controller with a minimal quantity of chips, thus achieving maximal possible miniaturization. This in turn, reduces the volume and the cost of the controller. The microcontroller is normally not used for general-purpose computation as is a microprocessor.
mixed-signal	The reference to a circuit containing both analog and digital techniques and components.
modulator	A device that imposes a signal on a carrier.
noise	<ol style="list-style-type: none"> 1. A disturbance that affects a signal and that may distort the information carried by the signal. 2. The random variations of one or more characteristics of any entity such as voltage, current, or data.
oscillator	A circuit that may be crystal controlled and is used to generate a clock frequency.
parity	A technique for testing transmitting data. Typically, a binary digit is added to the data to make the sum of all the digits of the binary data either always even (even parity) or always odd (odd parity).
Phase-locked loop (PLL)	An electronic circuit that controls an oscillator so that it maintains a constant phase angle relative to a reference signal.
pinouts	The pin number assignment: the relation between the logical inputs and outputs of the PSoC device and their physical counterparts in the printed circuit board (PCB) package. Pinouts involve pin numbers as a link between schematic and PCB design (both being computer generated files) and may also involve pin names.
port	A group of pins, usually eight.
Power on reset (POR)	A circuit that forces the PSoC device to reset when the voltage is lower than a pre-set level. This is a type of hardware reset.
PSoC®	Cypress Semiconductor's PSoC® is a registered trademark and Programmable System-on-Chip™ is a trademark of Cypress.

Glossary (continued)

PSoC Designer™	The software for Cypress' Programmable System-on-Chip technology.
pulse width modulator (PWM)	An output in the form of duty cycle which varies as a function of the applied measurand
RAM	An acronym for random access memory. A data-storage device from which data can be read out and new data can be written in.
register	A storage device with a specific capacity, such as a bit or byte.
reset	A means of bringing a system back to a know state. See hardware reset and software reset.
ROM	An acronym for read only memory. A data-storage device from which data can be read out, but new data cannot be written in.
serial	<ol style="list-style-type: none"> 1. Pertaining to a process in which all events occur one after the other. 2. Pertaining to the sequential or consecutive occurrence of two or more related activities in a single device or channel.
settling time	The time it takes for an output signal or value to stabilize after the input has changed from one value to another.
shift register	A memory storage device that sequentially shifts a word either left or right to output a stream of serial data.
slave device	A device that allows another device to control the timing for data exchanges between two devices. Or when devices are cascaded in width, the slave device is the one that allows another device to control the timing of data exchanges between the cascaded devices and an external interface. The controlling device is called the master device.
SRAM	An acronym for static random access memory. A memory device where you can store and retrieve data at a high rate of speed. The term static is used because, after a value is loaded into an SRAM cell, it remains unchanged until it is explicitly altered or until power is removed from the device.
SROM	An acronym for supervisory read only memory. The SROM holds code that is used to boot the device, calibrate circuitry, and perform Flash operations. The functions of the SROM may be accessed in normal user code, operating from Flash.
stop bit	A signal following a character or block that prepares the receiving device to receive the next character or block.
synchronous	<ol style="list-style-type: none"> 1. A signal whose data is not acknowledged or acted upon until the next active edge of a clock signal. 2. A system whose operation is synchronized by a clock signal.
tri-state	A function whose output can adopt three states: 0, 1, and Z (high-impedance). The function does not drive any value in the Z state and, in many respects, may be considered to be disconnected from the rest of the circuit, allowing another output to drive the same net.
UART	A UART or universal asynchronous receiver-transmitter translates between parallel bits of data and serial bits.
user modules	Pre-build, pre-tested hardware/firmware peripheral functions that take care of managing and configuring the lower level Analog and Digital PSoC Blocks. User Modules also provide high level API (Application Programming Interface) for the peripheral function.
user space	The bank 0 space of the register map. The registers in this bank are more likely to be modified during normal program execution and not just during initialization. Registers in bank 1 are most likely to be modified only during the initialization phase of the program.

Glossary *(continued)*

V_{DD}	A name for a power net meaning "voltage drain." The most positive power supply signal. Usually 5 V or 3.3 V.
V_{SS}	A name for a power net meaning "voltage source." The most negative power supply signal.
watchdog timer	A timer that must be serviced periodically. If it is not serviced, the CPU resets after a specified period of time.

Document History Page

Document Title: CY8C20110/CY8C20180/CY8C20160/CY8C20140/CY8C20142, CapSense® Express™ Button Capacitive Controllers Document Number: 001-54606				
Rev.	ECN	Orig. of Change	Submission Date	Description of Change
**	2741726	SLAN / FSU	07/21/2009	New data sheet.
*A	2821828	SSHH / FSU	12/4/2009	Added Contents . Updated Absolute Maximum Ratings (Added F32k u, t _{POWERUP} parameters and their details). Updated Electrical Specifications (Updated DC Electrical Specifications (Updated DC Flash Write Specifications (Updated Note 23)))).
*B	2892629	NJF	03/15/2010	Updated Pin Definitions (Added a Note "For information on the preferred dimensions for mounting QFN packages, see the "Application Notes for Surface Mount Assembly of Amkor's MicroLeadFrame (MLF) Packages" available at http://www.amkor.com ." below the column). Updated Absolute Maximum Ratings (Added T _{BAKETEMP} and T _{BAKETIME} parameters and their details). Updated Package Diagrams (Updated Figure 1 (Changed 16-pin COL to 16-pin QFN).
*C	3002214	SLAN	07/29/2010	Updated Features (Changed the part number from CY8C21110 to CY8C20110). Added Acronyms and Units of Measure . Minor edits across the document.
*D	3042142	ARVM	09/30/10	Updated Pin Definitions (Added Note 3 and referred the same Note in all GP1[1] and GP1[2] pins). Updated Pin Definitions (Added Note 6 and referred the same Note in all GP1[1] and GP1[2] pins). Updated Pin Definitions (Added Note 7 and referred the same Note in all GP1[1] and GP1[2] pins). Updated Absolute Maximum Ratings (Removed F32k u, t _{POWERUP} parameters and their details). Updated Electrical Specifications (Updated AC Electrical Specifications (Added AC Chip-Level Specifications section)). Updated Typical Circuits (Updated Figure 4 (Replaced with updated one)). Updated in new template.
*E	3085081	NJF	11/12/10	Updated Electrical Specifications (Updated DC Electrical Specifications (Updated DC GPIO Specifications (Removed sub-section "2.7-V DC Spec for I ² C Line with 1.8 V External Pull-up"), added DC I2C Specifications)), updated AC Electrical Specifications (Updated AC I²C Specifications (Updated Figure 12 (No specific changed were made to I2C Timing Diagram. Updated for clearer understanding.)))). Updated Solder Reflow Specifications (Updated Table 16). Added Reference Documents and Glossary . Updated in new template.
*F	3276234	ARVM	06/07/11	Updated Layout Guidelines and Best Practices (Updated Table 2 (Removed "Overlay thickness-buttons" category), added the following statement after Table 2 – "The Recommended maximum overlay thickness is 5 mm (with external CS _{Int}) / 2 mm (without external CS _{Int}). For more details refer to the section "The Integrating Capacitor (Cint)" in AN53490 . Note Some device packages does not have CS _{Int} pin and external capacitor cannot be connected."). Updated CapSense Constraints (Removed the parameter "Overlay thickness"). Updated Solder Reflow Specifications (Updated Table 16).

Document History Page *(continued)*

Document Title: CY8C20110/CY8C20180/CY8C20160/CY8C20140/CY8C20142, CapSense® Express™ Button Capacitive Controllers Document Number: 001-54606				
Rev.	ECN	Orig. of Change	Submission Date	Description of Change
*G	3631370	VAIR / SLAN	05/31/2012	Updated Pin Definitions (Updated description of XRES pin). Updated Pin Definitions (Updated description of XRES pin). Updated Typical Circuits (Updated Figure 6 (Added Note 9 and referred the same Note in Figure 6)). Updated Package Diagrams (spec 001-09116 (Changed revision from *E to *F), spec 51-85068 (Changed revision from *C to *D)). Updated in new template.
*H	3837914	SLAN	12/11/2012	Updated Device Operation Modes (Updated Periodic Sleep Mode (Updated description)). Updated Package Diagrams (spec 001-09116 (Changed revision from *F to *G), spec 51-85068 (Changed revision from *D to *E)).



Sales, Solutions, and Legal Information

Worldwide Sales and Design Support

Cypress maintains a worldwide network of offices, solution centers, manufacturer's representatives, and distributors. To find the office closest to you, visit us at [Cypress Locations](#).

Products

Automotive	cypress.com/go/automotive
Clocks & Buffers	cypress.com/go/clocks
Interface	cypress.com/go/interface
Lighting & Power Control	cypress.com/go/powerpsoc cypress.com/go/plc
Memory	cypress.com/go/memory
Optical & Image Sensing	cypress.com/go/image
PSoC	cypress.com/go/psoc
Touch Sensing	cypress.com/go/touch
USB Controllers	cypress.com/go/USB
Wireless/RF	cypress.com/go/wireless

PSoC Solutions

psoc.cypress.com/solutions
PSoC 1 | PSoC 3 | PSoC 5

© Cypress Semiconductor Corporation, 2009-2012. The information contained herein is subject to change without notice. Cypress Semiconductor Corporation assumes no responsibility for the use of any circuitry other than circuitry embodied in a Cypress product. Nor does it convey or imply any license under patent or other rights. Cypress products are not warranted nor intended to be used for medical, life support, life saving, critical control or safety applications, unless pursuant to an express written agreement with Cypress. Furthermore, Cypress does not authorize its products for use as critical components in life-support systems where a malfunction or failure may reasonably be expected to result in significant injury to the user. The inclusion of Cypress products in life-support systems application implies that the manufacturer assumes all risk of such use and in doing so indemnifies Cypress against all charges.

Any Source Code (software and/or firmware) is owned by Cypress Semiconductor Corporation (Cypress) and is protected by and subject to worldwide patent protection (United States and foreign), United States copyright laws and international treaty provisions. Cypress hereby grants to licensee a personal, non-exclusive, non-transferable license to copy, use, modify, create derivative works of, and compile the Cypress Source Code and derivative works for the sole purpose of creating custom software and or firmware in support of licensee product to be used only in conjunction with a Cypress integrated circuit as specified in the applicable agreement. Any reproduction, modification, translation, compilation, or representation of this Source Code except as specified above is prohibited without the express written permission of Cypress.

Disclaimer: CYPRESS MAKES NO WARRANTY OF ANY KIND, EXPRESS OR IMPLIED, WITH REGARD TO THIS MATERIAL, INCLUDING, BUT NOT LIMITED TO, THE IMPLIED WARRANTIES OF MERCHANTABILITY AND FITNESS FOR A PARTICULAR PURPOSE. Cypress reserves the right to make changes without further notice to the materials described herein. Cypress does not assume any liability arising out of the application or use of any product or circuit described herein. Cypress does not authorize its products for use as critical components in life-support systems where a malfunction or failure may reasonably be expected to result in significant injury to the user. The inclusion of Cypress' product in a life-support systems application implies that the manufacturer assumes all risk of such use and in doing so indemnifies Cypress against all charges.

Use may be limited by and subject to the applicable Cypress software license agreement.

Данный компонент на территории Российской Федерации

Вы можете приобрести в компании MosChip.

Для оперативного оформления запроса Вам необходимо перейти по данной ссылке:

<http://moschip.ru/get-element>

Вы можете разместить у нас заказ для любого Вашего проекта, будь то серийное производство или разработка единичного прибора.

В нашем ассортименте представлены ведущие мировые производители активных и пассивных электронных компонентов.

Нашей специализацией является поставка электронной компонентной базы двойного назначения, продукции таких производителей как XILINX, Intel (ex.ALTERA), Vicor, Microchip, Texas Instruments, Analog Devices, Mini-Circuits, Amphenol, Glenair.

Сотрудничество с глобальными дистрибьюторами электронных компонентов, предоставляет возможность заказывать и получать с международных складов практически любой перечень компонентов в оптимальные для Вас сроки.

На всех этапах разработки и производства наши партнеры могут получить квалифицированную поддержку опытных инженеров.

Система менеджмента качества компании отвечает требованиям в соответствии с ГОСТ Р ИСО 9001, ГОСТ РВ 0015-002 и ЭС РД 009

Офис по работе с юридическими лицами:

105318, г.Москва, ул.Щербаковская д.3, офис 1107, 1118, ДЦ «Щербаковский»

Телефон: +7 495 668-12-70 (многоканальный)

Факс: +7 495 668-12-70 (доб.304)

E-mail: info@moschip.ru

Skype отдела продаж:

moschip.ru

moschip.ru_4

moschip.ru_6

moschip.ru_9