

4

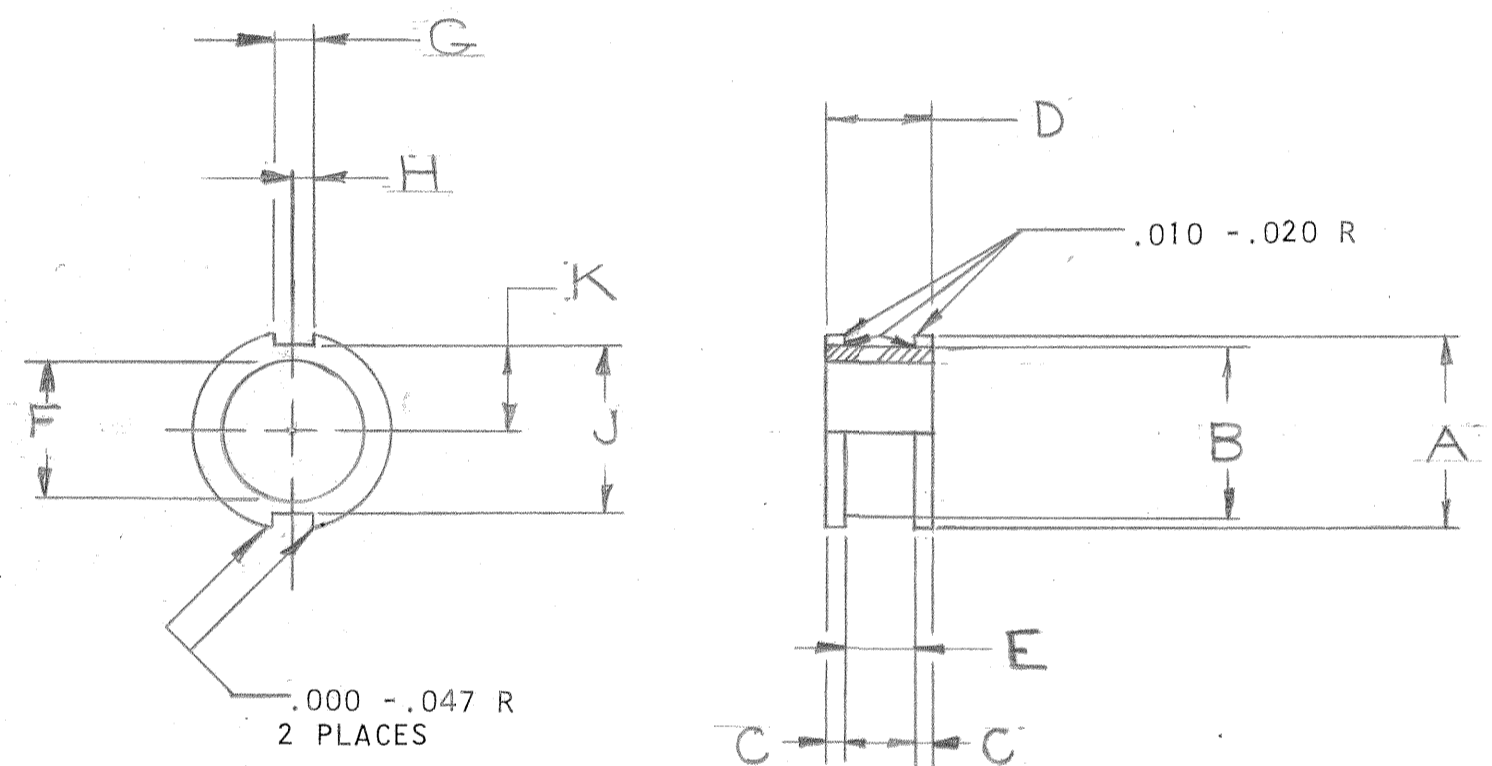
3

2

1

| PART NUMBER | A DIA | B DIA | C | D REF | E | F DIA | G | H | J | K | RELEASE |
|--------------|-------|-------|------|-------|------|-------|------|------|-------|------|-------------------|
| 10-36565-101 | .344 | .250 | .062 | .468 | .344 | .125 | .125 | .062 | .250 | .125 | 24708-41 |
| -121 | .406 | .312 | | | | .125 | .125 | | .312 | .156 | 24708-41 |
| -122 | .406 | .312 | | | | .188 | .125 | | .312 | .156 | 24600-4 |
| -141 | .532 | .438 | | | | .125 | .156 | .078 | .438 | .219 | 24708-41 |
| -142 | | | | | | .250 | | | | | 24708-41 |
| -143 | | | | | | .312 | | | | | 24600-4 |
| -161 | .656 | .562 | | | | .250 | | | .562 | .281 | 24708-41 |
| -162 | | | | | | .312 | | | | | 24600-4 |
| -163 | | | | | | .375 | | | | | 24708-41 |
| -164 | | | | | | .460 | | | | | 32608-122 PPL |
| -181 | .719 | .625 | | | | .250 | .219 | .109 | .625 | .312 | 24708-41 |
| -182 | | | | | | .375 | | | | | 24708-41 |
| -183 | | | | | | .500 | | | | | 24600-4 |
| -201 | .844 | .750 | .094 | .532 | | .250 | | | .750 | .375 | 24708-41 |
| -202 | | | | | | .500 | | | | | 24708-41 |
| -203 | | | | | | .625 | | | | | 24600-4 |
| -204 | | | | | | .438 | | | | | 36536-129 |
| -205 | | | | | | .312 | | | | | |
| -206 | | | | | | .562 | | | | | |
| -221 | | | | | | .250 | | | | | 24708-41 INACTIVE |
| -222 | | | | | | .500 | | | | | |
| -223 | | | | | | .625 | | | | | |
| -231 | 1.094 | 1.000 | | | | .625 | .281 | .141 | 1.000 | .500 | 32524-172 C2 |
| -232 | | | | | | .800 | | | | | 32524-172 C2 |
| -233 | | | | | | .828 | | | | | 37959-4 |
| -234 | | | | | | .375 | | | | | |
| -241 | 1.032 | .938 | | | | .250 | | | .938 | .469 | 24708-41 |
| -242 | | | | | | .500 | | | | | |
| -243 | | | | | | .625 | | | | | |
| -244 | | | | | | .750 | | | | | 24600-4 |
| -245 | | | | | | .797 | | | | | 37959-4 |
| -251 | 1.235 | 1.141 | | | | .750 | | | 1.141 | .572 | 32524-172 C2 |
| -252 | | | | | | 1.000 | | | | .572 | 32524-172 C2 |
| -253 | | | | | | .625 | | | | .571 | 36508-253 |
| -281 | 1.032 | .938 | | | | .250 | | | .938 | .469 | 24708-41 INACTIVE |
| -282 | | | | | | .500 | | | | | |
| -283 | | | | | | .625 | | | | | |

| REL NO. 24600-4 | | REVISIONS | | |
|-----------------|-----|------------------------------------|------------------|---------------|
| CHG NO. | SYM | DESCRIPTION | DATE | APPROV. |
| 47513-25 | A2 | REDRAWN, PPL SAME SIZE | 8-4-67 JAGGER | <i>Jagger</i> |
| 96286 | B | (CLII) REVISED MATERIAL SPEC BLOCK | 7-6-05 JED | <i>JED</i> |



DRAWING CONTROLLED BY ELECTRICAL CONNECTOR DESIGN GROUP

| ITEM | QTY REQD | PART NUMBER | DESCRIPTION | NOTE |
|---|----------|---------------------------|---------------------------------|---|
| PARTS LIST | | | | |
| UNLESS OTHERWISE SPECIFIED | | DRAWN: B.F. | DATE: 9-19-49 | THE Bendix CORPORATION ELECTRICAL COMPONENTS DIVISION SIDNEY NEW YORK U.S.A. |
| LINEAR DIMENSIONS ARE IN INCHES. TOLERANCES: .XXX ± .010, .XX ± .03, X ± .1, ANGLES ± 2° OTHER STANDARDS PER 9-3800 AND MIL-STD-8. NOTE REF | | CHECKED: <i>Balantis</i> | DATE: 8-24-67 | |
| MATERIAL SPEC SYNTHETIC RUBBER 9-1864 | | MATERIAL: <i>Balantis</i> | STANDARDS: <i>Balantis</i> | TITLE: GROMMET, CABLE CLAMP |
| PROCESS SPEC | | DRAFTING: <i>Sturges</i> | ENGINEERING: <i>J.M. Jagger</i> | |
| 9-3764 | | DEVELOPMENT: | | |
| SEE NOTE 1 | | | | |
| 10-36559 | | | | SIZE: C |
| 10-36560 | | | | CODE IDENT NO.: 77820 |
| NEXT ASSEMBLY | | | | 10-36565 |
| | | | | SCALE: NONE WT REF SHEET 1 OF 2 |

1. ENGINEERING SOURCE APPROVAL REQUIRED.

NOTES:

D

C

B 10-36565

A

R

2

4

3

2

1

| PART NUMBER | A DIA | B DIA | C | D REF | E | F DIA | G | H | J | K | RELEASE |
|--------------|-------|-------|------|-------|------|-------|------|------|-------|-------|-------------------|
| 10-36565-284 | 1.032 | .938 | .094 | .532 | .344 | .750 | .281 | .141 | .938 | .469 | 24708-41 INACTIVE |
| --321 | 1.344 | 1.250 | .125 | .781 | .531 | .375 | .281 | .141 | 1.250 | .625 | 24708-41 |
| --322 | | | | | | .625 | | | | | |
| -323 | | | | | | .875 | | | | | |
| -324 | | | | | | 1.000 | | | | | 24600-4 |
| -325 | | | | | | 1.062 | | | | | 38532-36 |
| -326 | | | | | | 1.125 | | | | | 38532-48 |
| -331 | 1.625 | 1.531 | | | | 1.250 | | | 1.531 | .766 | 32524-172 C2 |
| -332 | | | | | | 1.328 | | | | | 32524-172 C2 |
| -333 | | | | | | 1.156 | | | | | 36536-168 |
| -361 | 1.469 | 1.375 | | | | .625 | | | 1.375 | .688 | 24708-41 |
| -362 | | | | | | .875 | | | | | |
| -363 | | | | | | 1.000 | | | | | |
| -364 | | | | | | 1.125 | | | | | 25600-4 |
| -371 | 1.812 | 1.719 | | | | 1.375 | | | 1.719 | .860 | 32524-172 C2 |
| -372 | | | | | | 1.469 | | | | | 36536-102 |
| -373 | | | | | | 1.531 | | | | | |
| -401 | 1.719 | 1.625 | | | | .625 | | | 1.625 | .812 | 24708-41 C2 |
| -402 | | | | | | .875 | | | | | |
| -403 | | | | | | 1.000 | | | | | |
| -404 | | | | | | 1.125 | | | | | |
| -411 | 2.125 | 2.031 | | | | 1.656 | | | 2.031 | 1.016 | |
| -441 | 2.369 | 2.219 | | | | 2.000 | | | 2.219 | 1.109 | |
| -442 | | | | | | 1.906 | | | | | 36524-502 |
| -443 | | | | | | 1.750 | | | | | 36536-129 |
| -481 | 2.588 | 2.438 | | | | 2.000 | | | 2.438 | 1.219 | |
| -482 | 2.588 | 2.438 | | | | 2.188 | | | 2.438 | 1.219 | 38536-119 |

| REL NO. | | REVISIONS | | |
|---------|---------|-----------------------------|------|----------|
| CHG NO. | SYM | DESCRIPTION | DATE | APPROVED |
| | A2 B | SEE SHEET 1 FOR ALL CHANGES | | |

D

D

C

C

B

B E 1036565

A

A

SEE SHEET 1
NOTES:

10-36560
10-36559
NEXT ASSEMBLY

| ITEM | QTY REQD | PART NUMBER | DESCRIPTION | NOTE |
|--|--------------|--|---|---|
| PARTS LIST | | | | |
| UNLESS OTHERWISE SPECIFIED LINEAR DIMENSIONS ARE IN INCHES. TOLERANCES: .XXX ± .010, .XX ± .03, X ± .1, ANGLES ± 2°. OTHER STANDARDS PER 9-3800 AND MIL-STD-8. NOTE REF | | DRAWN: B.F. CHECKED: <i>Balantini</i> MATERIAL: <i>RPE 8/24/67</i> | DATE: 10-6-49 DATE: 8-24-67 | THE Bendix CORPORATION ELECTRICAL COMPONENTS DIVISION SIDNEY NEW YORK U.S.A. |
| MATERIAL SPEC SEE SHEET 1 | PROCESS SPEC | STANDARDS: <i>Balantini</i> DRAFTING: <i>Admet</i> ENGINEERING: <i>AMZ</i> DEVELOPMENT: | TITLE: GROMMET, CABLE CLAMP | |
| | | SIZE: C | CODE IDENT NO.: 77820 | 10-36565 |
| | | SCALE NONE | WT | REF |
| | | | | SHEET 2 |

Данный компонент на территории Российской Федерации

Вы можете приобрести в компании MosChip.

Для оперативного оформления запроса Вам необходимо перейти по данной ссылке:

<http://moschip.ru/get-element>

Вы можете разместить у нас заказ для любого Вашего проекта, будь то серийное производство или разработка единичного прибора.

В нашем ассортименте представлены ведущие мировые производители активных и пассивных электронных компонентов.

Нашей специализацией является поставка электронной компонентной базы двойного назначения, продукции таких производителей как XILINX, Intel (ex.ALTERA), Vicor, Microchip, Texas Instruments, Analog Devices, Mini-Circuits, Amphenol, Glenair.

Сотрудничество с глобальными дистрибьюторами электронных компонентов, предоставляет возможность заказывать и получать с международных складов практически любой перечень компонентов в оптимальные для Вас сроки.

На всех этапах разработки и производства наши партнеры могут получить квалифицированную поддержку опытных инженеров.

Система менеджмента качества компании отвечает требованиям в соответствии с ГОСТ Р ИСО 9001, ГОСТ РВ 0015-002 и ЭС РД 009

Офис по работе с юридическими лицами:

105318, г.Москва, ул.Щербаковская д.3, офис 1107, 1118, ДЦ «Щербаковский»

Телефон: +7 495 668-12-70 (многоканальный)

Факс: +7 495 668-12-70 (доб.304)

E-mail: info@moschip.ru

Skype отдела продаж:

moschip.ru

moschip.ru_4

moschip.ru_6

moschip.ru_9