



Is Now Part of



**ON Semiconductor®**

To learn more about ON Semiconductor, please visit our website at  
[www.onsemi.com](http://www.onsemi.com)

Please note: As part of the Fairchild Semiconductor integration, some of the Fairchild orderable part numbers will need to change in order to meet ON Semiconductor's system requirements. Since the ON Semiconductor product management systems do not have the ability to manage part nomenclature that utilizes an underscore (\_), the underscore (\_) in the Fairchild part numbers will be changed to a dash (-). This document may contain device numbers with an underscore (\_). Please check the ON Semiconductor website to verify the updated device numbers. The most current and up-to-date ordering information can be found at [www.onsemi.com](http://www.onsemi.com). Please email any questions regarding the system integration to [Fairchild\\_questions@onsemi.com](mailto:Fairchild_questions@onsemi.com).

ON Semiconductor and the ON Semiconductor logo are trademarks of Semiconductor Components Industries, LLC dba ON Semiconductor or its subsidiaries in the United States and/or other countries. ON Semiconductor owns the rights to a number of patents, trademarks, copyrights, trade secrets, and other intellectual property. A listing of ON Semiconductor's product/patent coverage may be accessed at [www.onsemi.com/site/pdf/Patent-Marking.pdf](http://www.onsemi.com/site/pdf/Patent-Marking.pdf). ON Semiconductor reserves the right to make changes without further notice to any products herein. ON Semiconductor makes no warranty, representation or guarantee regarding the suitability of its products for any particular purpose, nor does ON Semiconductor assume any liability arising out of the application or use of any product or circuit, and specifically disclaims any and all liability, including without limitation special, consequential or incidental damages. Buyer is responsible for its products and applications using ON Semiconductor products, including compliance with all laws, regulations and safety requirements or standards, regardless of any support or applications information provided by ON Semiconductor. "Typical" parameters which may be provided in ON Semiconductor data sheets and/or specifications can and do vary in different applications and actual performance may vary over time. All operating parameters, including "Typicals" must be validated for each customer application by customer's technical experts. ON Semiconductor does not convey any license under its patent rights nor the rights of others. ON Semiconductor products are not designed, intended, or authorized for use as a critical component in life support systems or any FDA Class 3 medical devices or medical devices with a same or similar classification in a foreign jurisdiction or any devices intended for implantation in the human body. Should Buyer purchase or use ON Semiconductor products for any such unintended or unauthorized application, Buyer shall indemnify and hold ON Semiconductor and its officers, employees, subsidiaries, affiliates, and distributors harmless against all claims, costs, damages, and expenses, and reasonable attorney fees arising out of, directly or indirectly, any claim of personal injury or death associated with such unintended or unauthorized use, even if such claim alleges that ON Semiconductor was negligent regarding the design or manufacture of the part. ON Semiconductor is an Equal Opportunity/Affirmative Action Employer. This literature is subject to all applicable copyright laws and is not for resale in any manner.



February 2016

# FOD3120 High Noise Immunity, 2.5 A Output Current, Gate Drive Optocoupler

## Features

- High Noise Immunity Characterized by 35 kV/ $\mu$ s Minimum Common Mode Rejection
- 2.5 A Peak Output Current Driving Capability for Most 1200 V/20 A IGBT
- Use of P-channel MOSFETs at Output Stage Enables Output Voltage Swing Close to The Supply Rail
- Wide Supply Voltage Range from 15 V to 30 V
- Fast Switching Speed
  - 400 ns max. Propagation Delay
  - 100 ns max. Pulse Width Distortion
- Under Voltage LockOut (UVLO) with Hysteresis
- Extended Industrial Temperature Range, -40°C to 100°C Temperature Range
- Safety and Regulatory Approved
  - UL1577, 5000 V<sub>RMS</sub> for 1 min.
  - DIN EN/IEC60747-5-5
- R<sub>DS(ON)</sub> of 1  $\Omega$  (typ.) Offers Lower Power Dissipation
- >8.0 mm Clearance and Creepage Distance (Option 'T' or 'TS')
- 1,414 V Peak Working Insulation Voltage (V<sub>IORM</sub>)

## Applications

- Industrial Inverter
- Uninterruptible Power Supply
- Induction Heating
- Isolated IGBT/Power MOSFET Gate Drive

## Description

The FOD3120 is a 2.5 A Output Current Gate Drive Optocoupler, capable of driving most medium power IGBT/MOSFET. It is ideally suited for fast switching driving of power IGBT and MOSFETs used in motor control inverter applications, and high performance power system.

It utilizes Fairchild's coplanar packaging technology, Optoplanar<sup>®</sup>, and optimized IC design to achieve high noise immunity, characterized by high common mode rejection.

It consists of a gallium aluminum arsenide (AlGaAs) light emitting diode optically coupled to an integrated circuit with a high-speed driver for push-pull MOSFET output stage.

## Related Resources

- FOD3150, 1 A Output Current, Gate Drive Optocoupler Datasheet
- [www.fairchildsemi.com/products/optoelectronics/](http://www.fairchildsemi.com/products/optoelectronics/)

## Functional Block Diagram

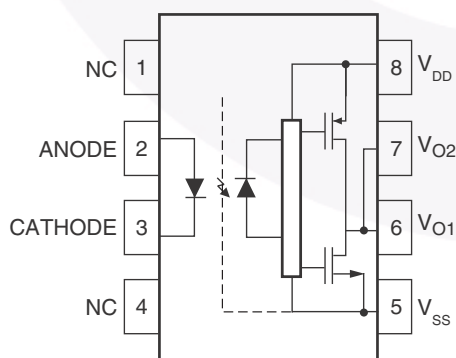


Figure 1. Functional Block Diagram<sup>(1)</sup>

### Note:

1. 0.1  $\mu$ F bypass capacitor must be connected between pins 5 and 8.

## Package Outlines

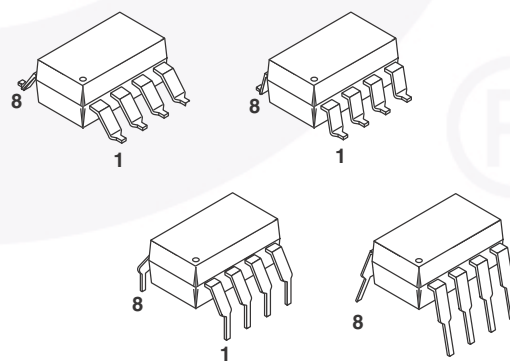


Figure 2. Package Outlines

FOD3120 — High Noise Immunity, 2.5 A Output Current, Gate Drive Optocoupler

**Truth Table**

| LED | $V_{DD} - V_{SS}$ "Positive Going"<br>(Turn-on) | $V_{DD} - V_{SS}$ "Negative Going"<br>(Turn-off) | $V_o$      |
|-----|---|--|------------|
| Off | 0 V to 30 V                                     | 0 V to 30 V                                      | Low        |
| On  | 0 V to 11.5 V                                   | 0 V to 10 V                                      | Low        |
| On  | 11.5 V to 13.5 V                                | 10 V to 12 V                                     | Transition |
| On  | 13.5 V to 30 V                                  | 12 V to 30 V                                     | High       |

**Pin Definitions**

| Pin # | Name     | Description  |
|-------|----------|--|
| 1     | NC       | Not Connected  |
| 2     | Anode    | LED Anode  |
| 3     | Cathode  | LED Cathode  |
| 4     | NC       | Not Connected  |
| 5     | $V_{SS}$ | Negative Supply Voltage                              |
| 6     | $V_{O2}$ | Output Voltage 2 (internally connected to $V_{O1}$ ) |
| 7     | $V_{O1}$ | Output Voltage 1                                     |
| 8     | $V_{DD}$ | Positive Supply Voltage                              |

## Safety and Insulation Ratings

As per DIN EN/IEC 60747-5-5, this optocoupler is suitable for “safe electrical insulation” only within the safety limit data. Compliance with the safety ratings shall be ensured by means of protective circuits.

| Parameter   | Characteristics                        |       |
|---|--|-------|
| Installation Classifications per DIN VDE 0110/1.89 Table 1, For Rated Mains Voltage | < 150 V <sub>RMS</sub>                 | I-IV  |
|   | < 300 V <sub>RMS</sub>                 | I-IV  |
|   | < 450 V <sub>RMS</sub>                 | I-III |
|   | < 600 V <sub>RMS</sub>                 | I-III |
|   | < 1000 V <sub>RMS</sub> (Option T, TS) | I-III |
| Climatic Classification   | 40/100/21                              |       |
| Pollution Degree (DIN VDE 0110/1.89)  | 2                                      |       |
| Comparative Tracking Index  | 175                                    |       |

| Symbol                | Parameter  | Value             | Unit              |
|-----------------------|--|-------------------|-------------------|
| V <sub>PR</sub>       | Input-to-Output Test Voltage, Method A, V <sub>IORM</sub> × 1.6 = V <sub>PR</sub> , Type and Sample Test with t <sub>m</sub> = 10 s, Partial Discharge < 5 pC  | 2,262             | V <sub>peak</sub> |
|                       | Input-to-Output Test Voltage, Method B, V <sub>IORM</sub> × 1.875 = V <sub>PR</sub> , 100% Production Test with t <sub>m</sub> = 1 s, Partial Discharge < 5 pC | 2,651             | V <sub>peak</sub> |
| V <sub>IORM</sub>     | Maximum Working Insulation Voltage   | 1,414             | V <sub>peak</sub> |
| V <sub>IOTM</sub>     | Highest Allowable Over-Voltage   | 6,000             | V <sub>peak</sub> |
|                       | External Creepage  | ≥ 8.0             | mm                |
|                       | External Clearance   | ≥ 7.4             | mm                |
|                       | External Clearance (for Option T or TS, 0.4" Lead Spacing)   | ≥ 10.16           | mm                |
| DTI                   | Distance Through Insulation (Insulation Thickness)   | ≥ 0.5             | mm                |
| T <sub>S</sub>        | Case Temperature <sup>(2)</sup>  | 175               | °C                |
| I <sub>S,INPUT</sub>  | Input Current <sup>(2)</sup>   | 400               | mA                |
| P <sub>S,OUTPUT</sub> | Output Power (Duty Factor ≤ 2.7%) <sup>(2)</sup>   | 700               | mW                |
| R <sub>IO</sub>       | Insulation Resistance at T <sub>S</sub> , V <sub>IO</sub> = 500 V <sup>(2)</sup>   | > 10 <sup>9</sup> | Ω                 |

**Note:**

2. Safety limit value - maximum values allowed in the event of a failure.

**Absolute Maximum Ratings** ( $T_A = 25^\circ\text{C}$  unless otherwise specified)

Stresses exceeding the absolute maximum ratings may damage the device. The device may not function or be operable above the recommended operating conditions and stressing the parts to these levels is not recommended. In addition, extended exposure to stresses above the recommended operating conditions may affect device reliability. The absolute maximum ratings are stress ratings only.

| Symbol                 | Parameter  | Value                       | Unit             |
|------------------------|--|-----------------------------|------------------|
| $T_{STG}$              | Storage Temperature  | -55 to +125                 | $^\circ\text{C}$ |
| $T_{OPR}$              | Operating Temperature  | -40 to +100                 | $^\circ\text{C}$ |
| $T_J$                  | Junction Temperature   | -40 to +125                 | $^\circ\text{C}$ |
| $T_{SOL}$              | Lead Wave Solder Temperature<br>(refer to page 21 for reflow solder profile) | 260 for 10sec               | $^\circ\text{C}$ |
| $I_{F(AVG)}$           | Average Input Current  | 25                          | mA               |
| $I_{F(PEAK)}$          | Peak Transient Forward Current <sup>(3)</sup>                                | 1                           | A                |
| f                      | Operating Frequency <sup>(4)</sup>   | 50                          | kHz              |
| $V_R$                  | Reverse Input Voltage  | 5                           | V                |
| $I_{O(PEAK)}$          | Peak Output Current <sup>(5)</sup>   | 3.0                         | A                |
| $V_{DD} - V_{SS}$      | Supply Voltage   | $T_A < 90^\circ\text{C}$    | 0 to 35          |
|                        |  | $T_A \geq 90^\circ\text{C}$ | 0 to 30          |
| $V_{O(PEAK)}$          | Peak Output Voltage  | 0 to $V_{DD}$               | V                |
| $t_{R(IN)}, t_{F(IN)}$ | Input Signal Rise and Fall Time  | 500                         | ns               |
| $PD_I$                 | Input Power Dissipation <sup>(6)(8)</sup>                                    | 45                          | mW               |
| $PD_O$                 | Output Power Dissipation <sup>(7)(8)</sup>                                   | 250                         | mW               |

**Notes:**

- Pulse Width,  $P_W \leq 1 \mu\text{s}$ , 300 pps
- Exponential Waveform,  $I_{O(PEAK)} \leq |2.5 \text{ A}| (\leq 0.3 \mu\text{s})$
- Maximum pulse width = 10  $\mu\text{s}$ , maximum duty cycle = 1.1%
- Derate linearly above 87 $^\circ\text{C}$ , free air temperature at a rate of 0.77 mW/ $^\circ\text{C}$
- No derating required across temperature range.
- Functional operation under these conditions is not implied. Permanent damage may occur if the device is subjected to conditions outside these ratings.

**Recommended Operating Conditions**

The Recommended Operating Conditions table defines the conditions for actual device operation. Recommended operating conditions are specified to ensure optimal performance to the datasheet specifications. Fairchild does not recommend exceeding them or designing to absolute maximum ratings.

| Symbol            | Parameter                     | Value       | Unit             |
|-------------------|-------------------------------|-------------|------------------|
| $T_A$             | Ambient Operating Temperature | -40 to +100 | $^\circ\text{C}$ |
| $V_{DD} - V_{SS}$ | Power Supply                  | 15 to 30    | V                |
| $I_{F(ON)}$       | Input Current (ON)            | 7 to 16     | mA               |
| $V_{F(OFF)}$      | Input Voltage (OFF)           | 0 to 0.8    | V                |

### Isolation Characteristics

Apply over all recommended conditions, typical value is measured at  $T_A = 25^\circ\text{C}$

| Symbol    | Parameter                      | Conditions  | Min.  | Typ.      | Max. | Unit      |
|-----------|--------------------------------|---|-------|-----------|------|-----------|
| $V_{ISO}$ | Input-Output Isolation Voltage | $T_A = 25^\circ\text{C}$ , R.H. < 50%, $t = 1.0\text{min}$ , $I_{I-O} \leq 10 \mu\text{A}$ , 50 Hz <sup>(9)(10)</sup> | 5,000 |           |      | $V_{RMS}$ |
| $R_{ISO}$ | Isolation Resistance           | $V_{I-O} = 500 \text{V}^{(9)}$  |       | $10^{11}$ |      | $\Omega$  |
| $C_{ISO}$ | Isolation Capacitance          | $V_{I-O} = 0 \text{V}$ , Freq = 1.0 MHz <sup>(9)</sup>  |       | 1         |      | pF        |

#### Notes:

9. Device is considered a two terminal device: Pins 2 and 3 are shorted together and Pins 5, 6, 7 and 8 are shorted together.
10. 5,000  $V_{RMS}$  for 1 minute duration is equivalent to 6,000  $V_{ACRMS}$  for 1 second duration.

### Electrical Characteristics

Apply over all recommended conditions, typical value is measured at  $V_{DD} = 30 \text{V}$ ,  $V_{SS} = \text{Ground}$ ,  $T_A = 25^\circ\text{C}$  unless otherwise specified.

| Symbol              | Parameter                                  | Conditions  | Min.                     | Typ.                    | Max.                     | Unit                 |
|---------------------|--|---|--------------------------|-------------------------|--------------------------|----------------------|
| $V_F$               | Input Forward Voltage                      | $I_F = 10 \text{mA}$  | 1.2                      | 1.5                     | 1.8                      | V                    |
| $\Delta(V_F / T_A)$ | Temperature Coefficient of Forward Voltage |   |                          | -1.8                    |                          | mV/ $^\circ\text{C}$ |
| $BV_R$              | Input Reverse Breakdown Voltage            | $I_R = 10 \mu\text{A}$                                      | 5                        |                         |                          | V                    |
| $C_{IN}$            | Input Capacitance                          | $f = 1 \text{MHz}$ , $V_F = 0\text{V}$                      |                          | 60                      |                          | pF                   |
| $I_{OH}$            | High Level Output Current <sup>(4)</sup>   | $V_O = V_{DD} - 3 \text{V}$                                 | -1.0                     | -2.0                    | -2.5                     | A                    |
|                     |  | $V_O = V_{DD} - 6 \text{V}$                                 | -2.0                     |                         | -2.5                     |                      |
| $I_{OL}$            | Low Level Output Current <sup>(4)</sup>    | $V_O = V_{SS} + 3 \text{V}$                                 | 1.0                      | 2.0                     | 2.5                      | A                    |
|                     |  | $V_O = V_{SS} + 6 \text{V}$                                 | 2.0                      |                         | 2.5                      |                      |
| $V_{OH}$            | High Level Output Voltage                  | $I_F = 10 \text{mA}$ , $I_O = -2.5 \text{A}$                | $V_{DD} - 6.25 \text{V}$ | $V_{DD} - 2.5 \text{V}$ |                          | V                    |
|                     |  | $I_F = 10 \text{mA}$ , $I_O = -100 \text{mA}$               | $V_{DD} - 0.25 \text{V}$ | $V_{DD} - 0.1 \text{V}$ |                          |                      |
| $V_{OL}$            | Low Level Output Voltage                   | $I_F = 0 \text{mA}$ , $I_O = 2.5 \text{A}$                  |                          | $V_{SS} + 2.5 \text{V}$ | $V_{SS} + 6.25 \text{V}$ | V                    |
|                     |  | $I_F = 0 \text{mA}$ , $I_O = 100 \text{mA}$                 |                          | $V_{SS} + 0.1 \text{V}$ | $V_{SS} + 0.25 \text{V}$ |                      |
| $I_{DDH}$           | High Level Supply Current                  | $V_O = \text{Open}$ ,<br>$I_F = 7 \text{ to } 16 \text{mA}$ |                          | 2.8                     | 3.8                      | mA                   |
| $I_{DDL}$           | Low Level Supply Current                   | $V_O = \text{Open}$ ,<br>$V_F = 0 \text{ to } 0.8 \text{V}$ |                          | 2.8                     | 3.8                      | mA                   |
| $I_{FLH}$           | Threshold Input Current Low to High        | $I_O = 0 \text{mA}$ , $V_O > 5 \text{V}$                    |                          | 2.3                     | 5.0                      | mA                   |
| $V_{FHL}$           | Threshold Input Voltage High to Low        | $I_O = 0 \text{mA}$ , $V_O < 5 \text{V}$                    | 0.8                      |                         |                          | V                    |
| $V_{UVLO+}$         | Under Voltage Lockout Threshold            | $I_F = 10 \text{mA}$ , $V_O > 5 \text{V}$                   | 11.5                     | 12.7                    | 13.5                     | V                    |
| $V_{UVLO-}$         |  | $I_F = 10 \text{mA}$ , $V_O < 5 \text{V}$                   | 10.0                     | 11.2                    | 12.0                     | V                    |
| $UVLO_{HYS}$        | Under Voltage Lockout Threshold Hysteresis |   |                          | 1.5                     |                          | V                    |

## Switching Characteristics

Apply over all recommended conditions, typical value is measured at  $V_{DD} = 30\text{ V}$ ,  $V_{SS} = \text{Ground}$ ,  $T_A = 25^\circ\text{C}$  unless otherwise specified.

| Symbol          | Parameter  | Conditions   | Min.                                      | Typ. | Max. | Unit                    |
|-----------------|--|--|---|------|------|-------------------------|
| $t_{PHL}$       | Propagation Delay Time to Logic Low Output   | $I_F = 7\text{ mA to }16\text{ mA}$ ,<br>$R_g = 10\ \Omega$ , $C_g = 10\text{ nF}$ ,<br>$f = 10\text{ kHz}$ , Duty Cycle = 50% | 150                                       | 275  | 400  | ns                      |
| $t_{PLH}$       | Propagation Delay Time to Logic High Output  |  | 150                                       | 255  | 400  | ns                      |
| PWD             | Pulse Width Distortion,<br>$ t_{PHL} - t_{PLH} $   |  |   | 20   | 100  | ns                      |
| PDD<br>(Skew)   | Propagation Delay Difference<br>Between Any Two Parts or<br>Channels, $(t_{PHL} - t_{PLH})^{(11)}$ |  |   | -250 | 250  | ns                      |
| $t_R$           | Output Rise Time (10% – 90%)   |  |   |      | 60   | ns                      |
| $t_F$           | Output Fall Time (90% – 10%)   |  |   |      | 60   | ns                      |
| $t_{UVLO\ ON}$  | UVLO Turn On Delay   |  | $I_F = 10\text{ mA}$ , $V_O > 5\text{ V}$ |      | 1.6  |                         |
| $t_{UVLO\ OFF}$ | UVLO Turn Off Delay  | $I_F = 10\text{ mA}$ , $V_O < 5\text{ V}$  |   | 0.4  |      | $\mu\text{s}$           |
| $ CM_H $        | Common Mode Transient<br>Immunity at Output High   | $T_A = 25^\circ\text{C}$ , $V_{DD} = 30\text{ V}$ ,<br>$I_F = 7\text{ to }16\text{ mA}$ ,<br>$V_{CM} = 2000\text{ V}^{(12)}$   | 35  | 50   |      | $\text{kV}/\mu\text{s}$ |
| $ CM_L $        | Common Mode Transient<br>Immunity at Output Low  | $T_A = 25^\circ\text{C}$ , $V_{DD} = 30\text{ V}$ , $V_F = 0\text{ V}$ ,<br>$V_{CM} = 2000\text{ V}^{(13)}$                    | 35  | 50   |      | $\text{kV}/\mu\text{s}$ |

### Notes:

- The difference between  $t_{PHL}$  and  $t_{PLH}$  between any two FOD3120 parts under same test conditions.
- Common mode transient immunity at output high is the maximum tolerable negative  $dV_{cm}/dt$  on the trailing edge of the common mode impulse signal,  $V_{cm}$ , to assure that the output will remain high (i.e.  $V_O > 15.0\text{ V}$ ).
- Common mode transient immunity at output low is the maximum tolerable positive  $dV_{cm}/dt$  on the leading edge of the common pulse signal,  $V_{cm}$ , to assure that the output will remain low (i.e.  $V_O < 1.0\text{ V}$ ).

## Typical Performance Characteristics

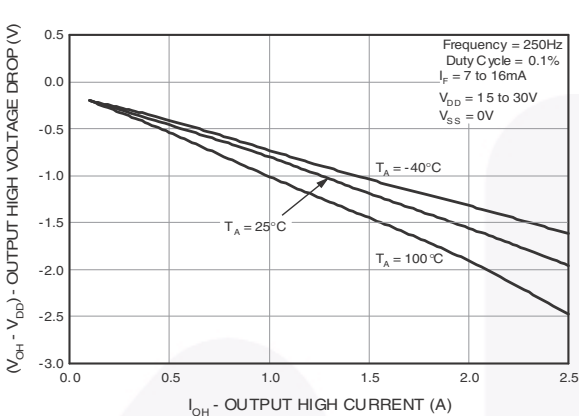


Fig. 3 Output High Voltage Drop vs. Output High Current

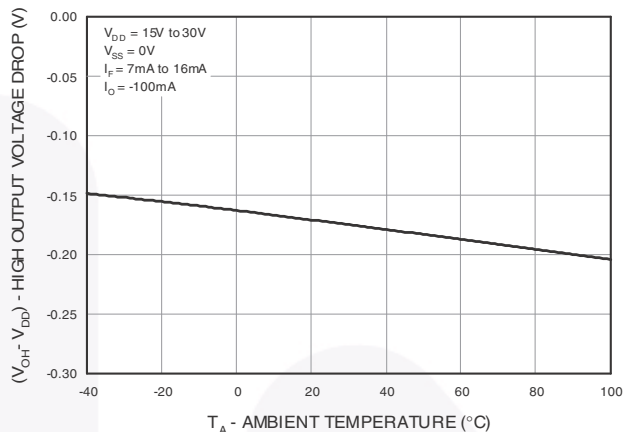


Fig. 4 Output High Voltage Drop vs. Ambient Temperature

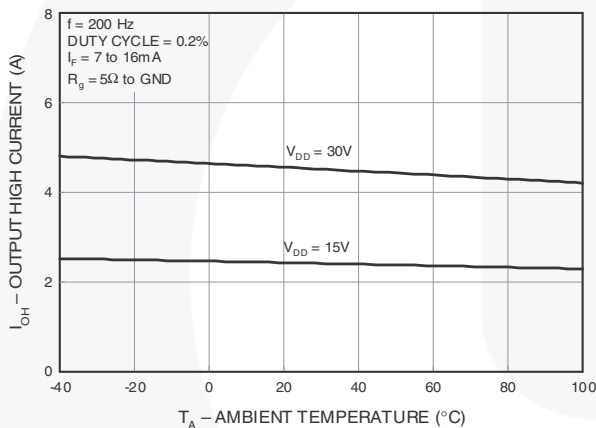


Fig. 5 Output High Current vs. Ambient Temperature

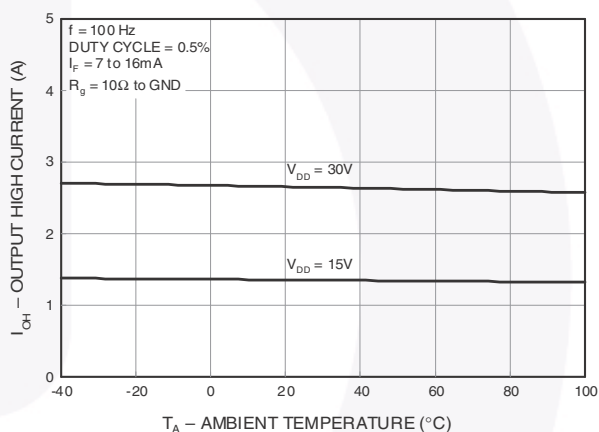


Fig. 6 Output High Current vs. Ambient Temperature

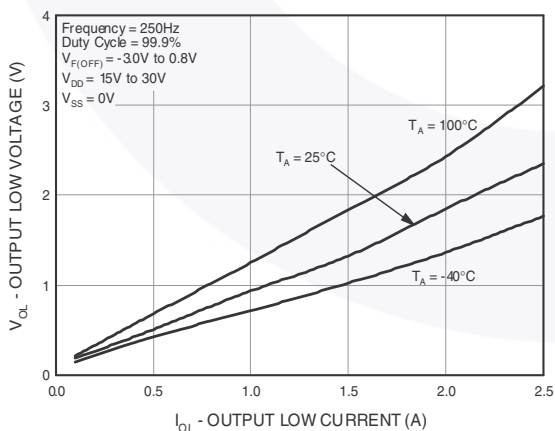


Fig. 7 Output Low Voltage vs. Output Low Current

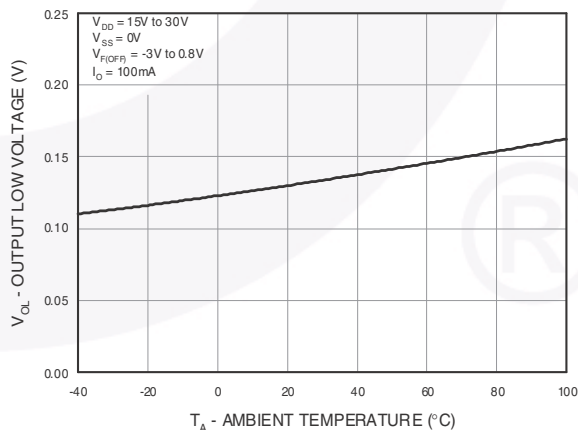


Fig. 8 Output Low Voltage vs. Ambient Temperature



### Typical Performance Characteristics (Continued)



Fig. 9 Output Low Current vs. Ambient Temperature



Fig. 10 Output Low Current vs. Ambient Temperature



Fig. 11 Supply Current vs. Ambient Temperature

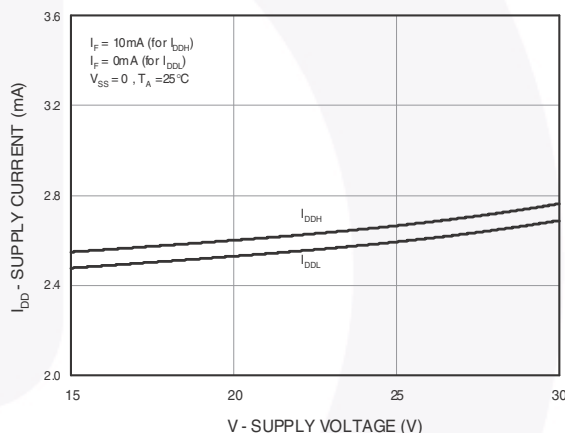


Fig. 12 Supply Current vs. Supply Voltage

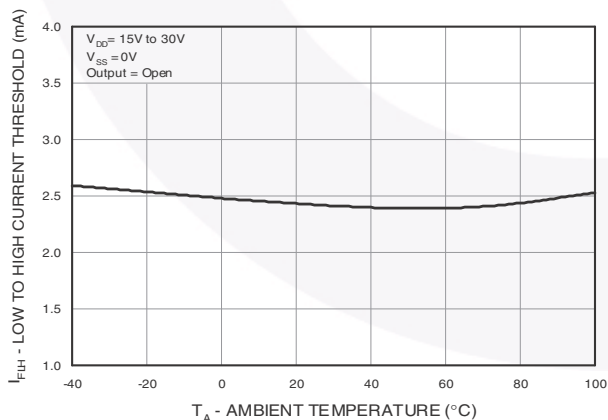


Fig. 13 Low to High Input Current Threshold vs. Ambient Temperature

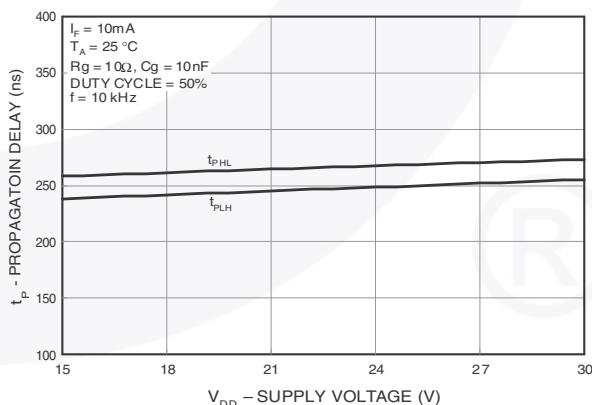
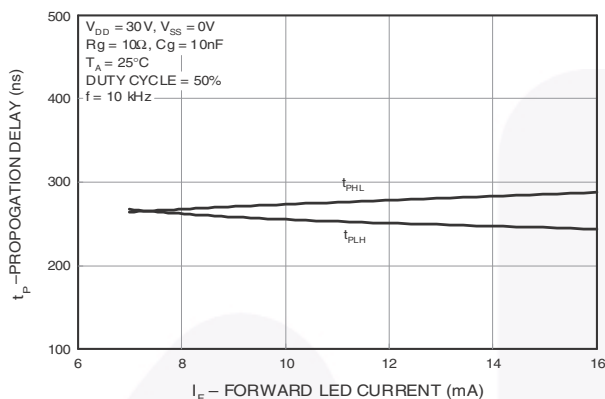
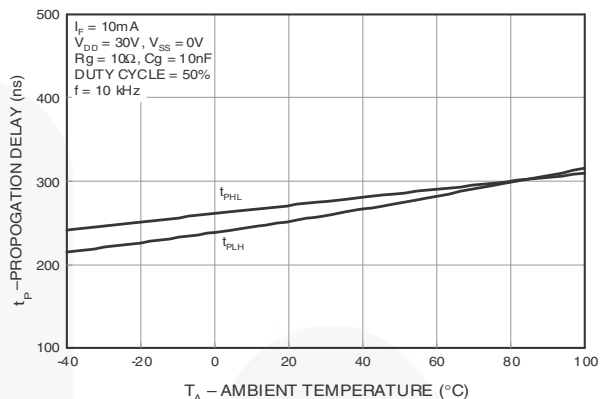


Fig. 14 Propagation Delay vs. Supply Voltage

## Typical Performance Characteristics (Continued)



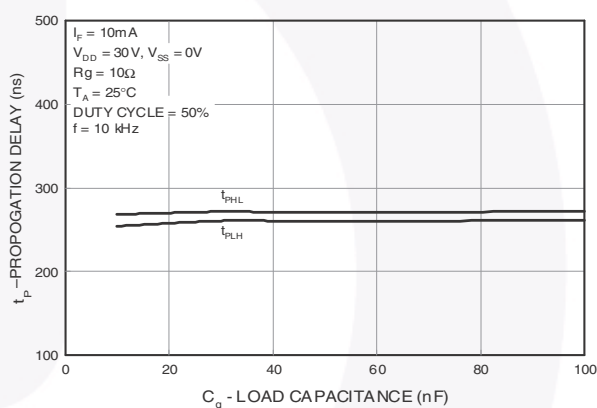
**Fig. 15 Propagation Delay vs. LED Forward Current**



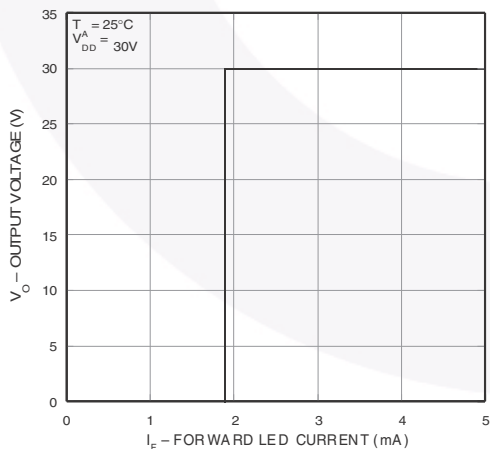
**Fig. 16 Propagation Delay vs. Ambient Temperature**



**Fig. 17 Propagation Delay vs. Series Load Resistance**



**Fig. 18 Propagation Delay vs. Load Capacitance**



**Fig. 19 Transfer Characteristics**



**Fig. 20 Input Forward Current vs. Forward Voltage**

### Typical Performance Characteristics (Continued)



Fig. 21 Under Voltage Lockout



## Test Circuit

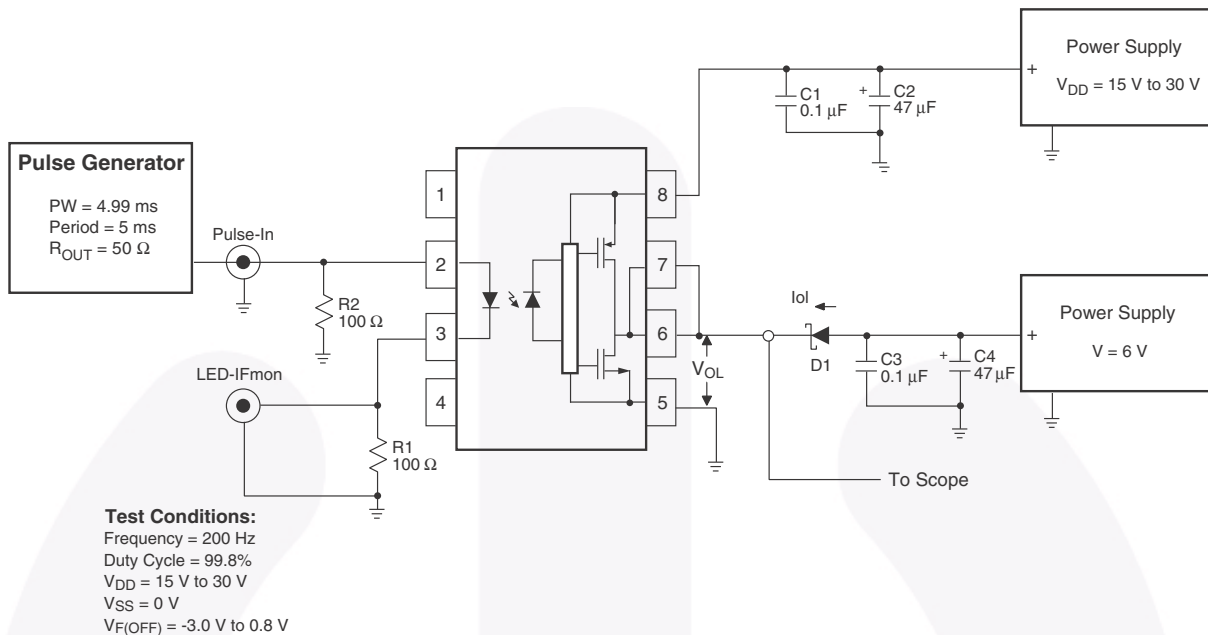


Figure 22.  $I_{OL}$  Test Circuit

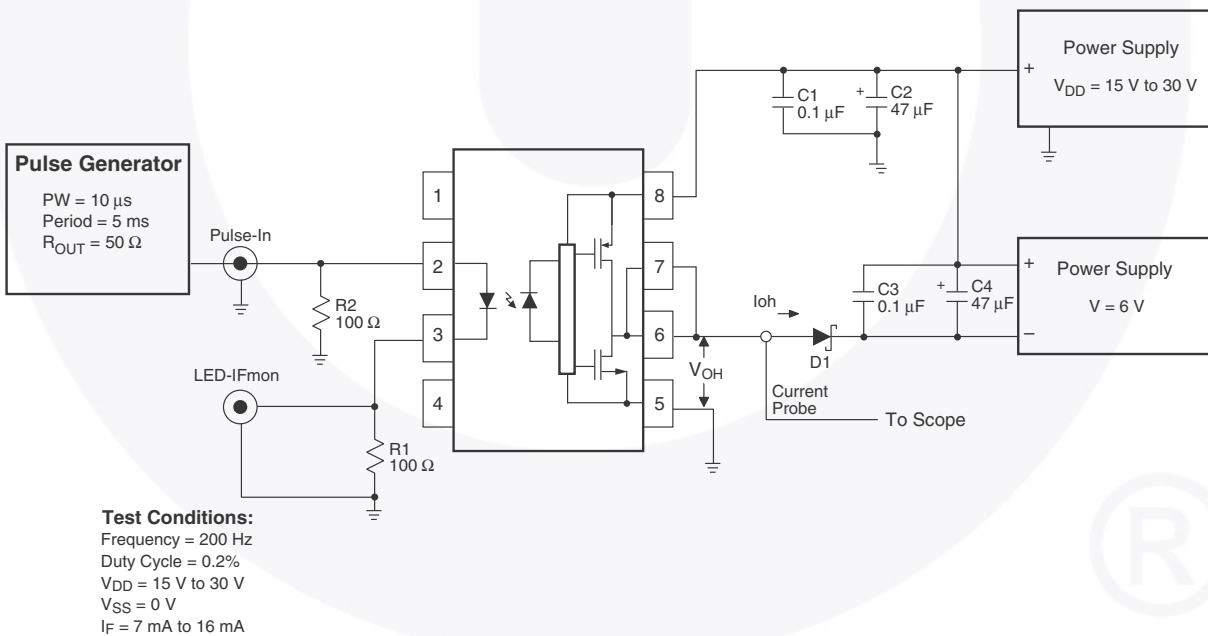


Figure 23.  $I_{OH}$  Test Circuit

Test Circuit (Continued)

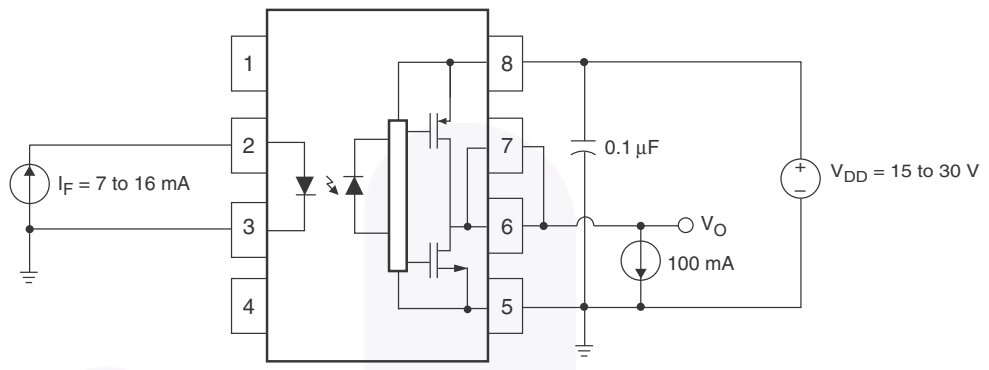


Figure 24.  $V_{OH}$  Test Circuit

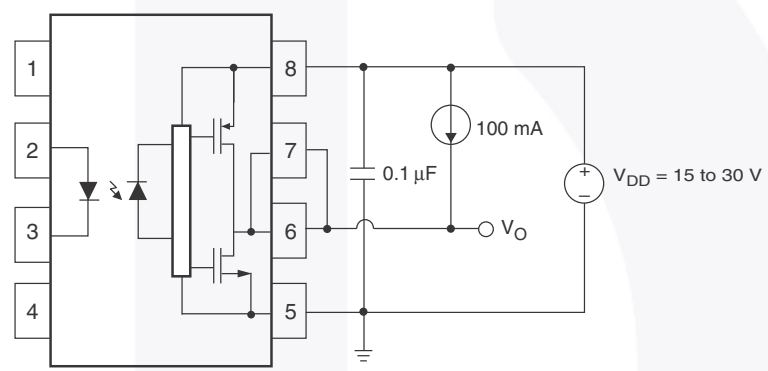
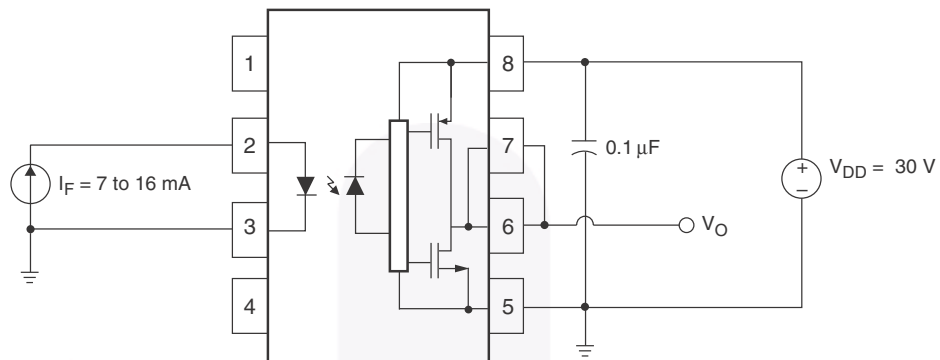


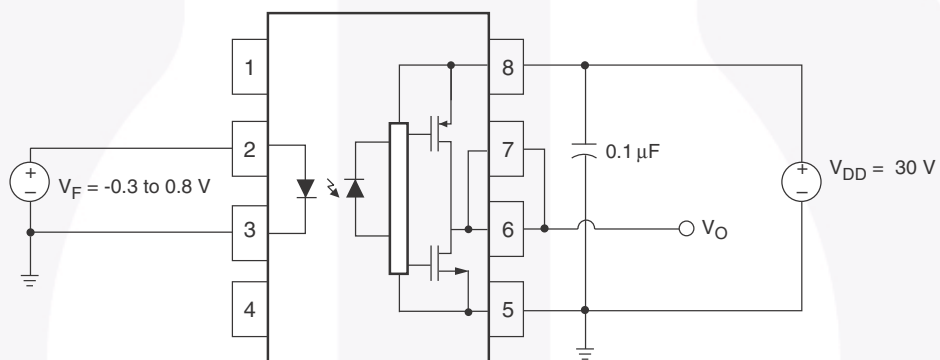
Figure 25.  $V_{OL}$  Test Circuit



**Test Circuit** (Continued)



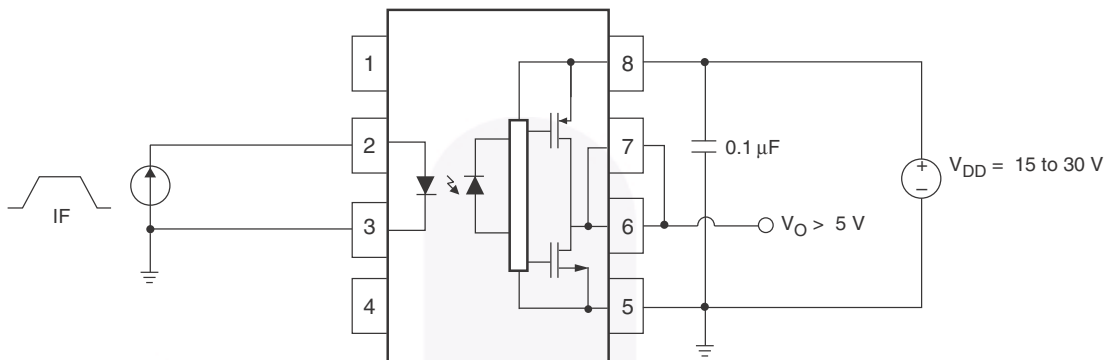
**Figure 26.  $I_{DDH}$  Test Circuit**



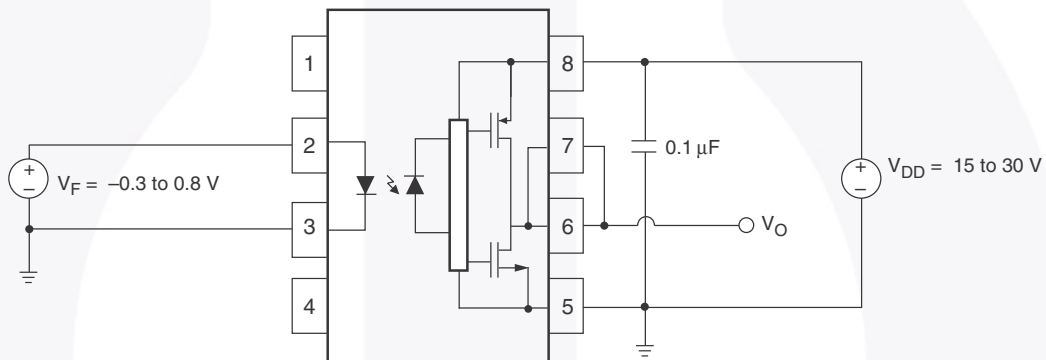
**Figure 27.  $I_{DDL}$  Test Circuit**



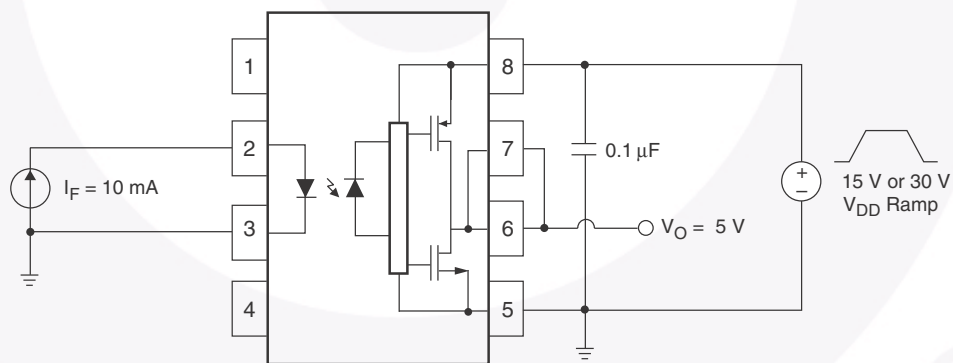
**Test Circuit** (Continued)



**Figure 28.  $I_{FLH}$  Test Circuit**

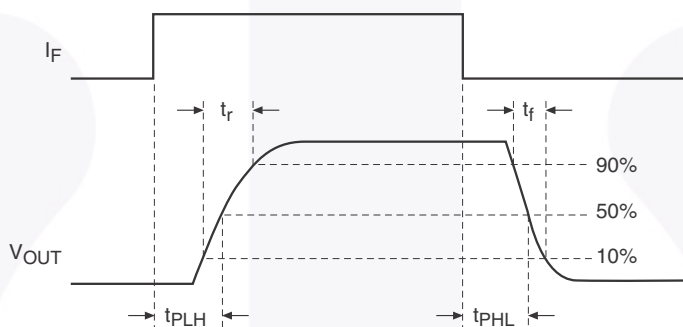
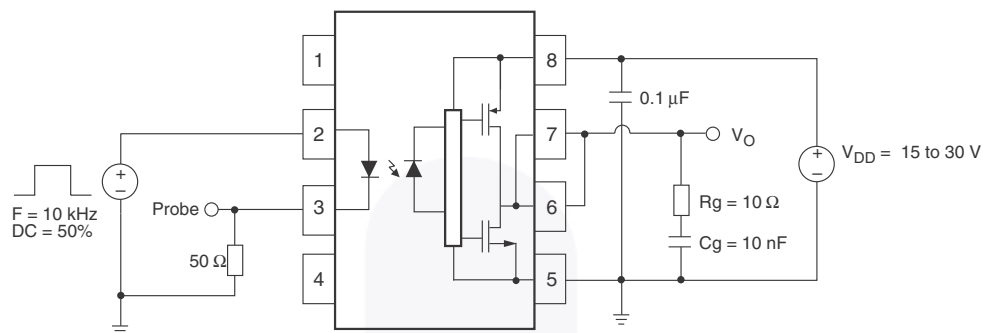


**Figure 29.  $V_{FHL}$  Test Circuit**

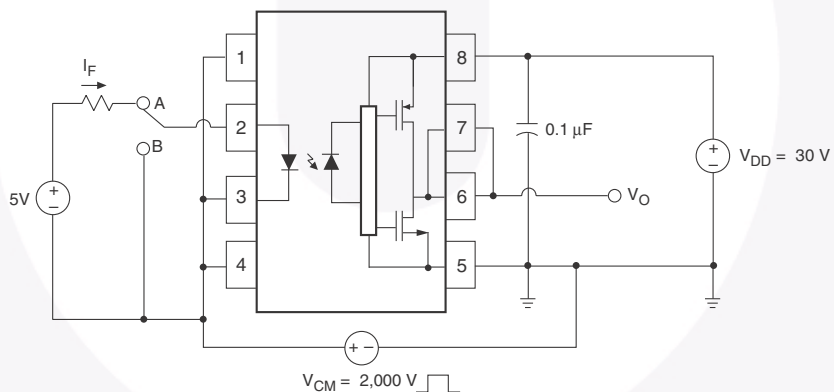


**Figure 30. UVLO Test Circuit**

**Test Circuit (Continued)**



**Figure 31.  $t_{PHL}$ ,  $t_{PLH}$ ,  $t_R$  and  $t_F$  Test Circuit and Waveforms**



**Figure 32. CMR Test Circuit and Waveforms**



## Reflow Profile



| Profile Feature   | Pb-Free Assembly Profile |
|---|--------------------------|
| Temperature Min. (T <sub>smin</sub> )                                 | 150°C                    |
| Temperature Max. (T <sub>smax</sub> )                                 | 200°C                    |
| Time (t <sub>s</sub> ) from (T <sub>smin</sub> to T <sub>smax</sub> ) | 60–120 seconds           |
| Ramp-up Rate (t <sub>L</sub> to t <sub>p</sub> )                      | 3°C/second max.          |
| Liquidous Temperature (T <sub>L</sub> )                               | 217°C                    |
| Time (t <sub>L</sub> ) Maintained Above (T <sub>L</sub> )             | 60–150 seconds           |
| Peak Body Package Temperature   | 260°C +0°C / -5°C        |
| Time (t <sub>p</sub> ) within 5°C of 260°C                            | 30 seconds               |
| Ramp-down Rate (T <sub>P</sub> to T <sub>L</sub> )                    | 6°C/second max.          |
| Time 25°C to Peak Temperature   | 8 minutes max.           |

## Ordering Information

| Part Number  | Package  | Packing Method                       |
|--------------|--|--------------------------------------|
| FOD3120      | DIP 8-Pin  | Tube (50 units per tube)             |
| FOD3120S     | SMT 8-Pin (Lead Bend)                                    | Tube (50 units per tube)             |
| FOD3120SD    | SMT 8-Pin (Lead Bend)                                    | Tape and Reel (1,000 units per reel) |
| FOD3120V     | DIP 8-Pin, DIN_EN/IEC60747-5-5 option                    | Tube (50 units per tube)             |
| FOD3120SV    | SMT 8-Pin (Lead Bend), DIN_EN/IEC60747-5-5 option        | Tube (50 units per tube)             |
| FOD3120SDV   | SMT 8-Pin (Lead Bend), DIN_EN/IEC60747-5-5 option        | Tape and Reel (1,000 units per reel) |
| FOD3120TV    | DIP 8-Pin, 0.4" Lead Spacing, DIN_EN/IEC60747-5-5 option | Tube (50 units per tube)             |
| FOD3120TSV   | SMT 8-Pin, 0.4" Lead Spacing, DIN_EN/IEC60747-5-5 option | Tube (50 units per tube)             |
| FOD3120TSR2V | SMT 8-Pin, 0.4" Lead Spacing, DIN_EN/IEC60747-5-5 option | Tape and Reel (700 units per reel)   |

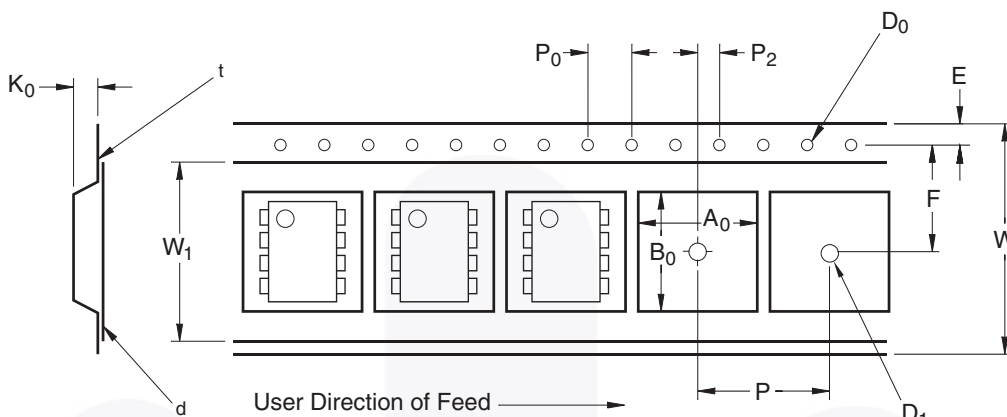
## Marking Information



Figure 33. Top Mark

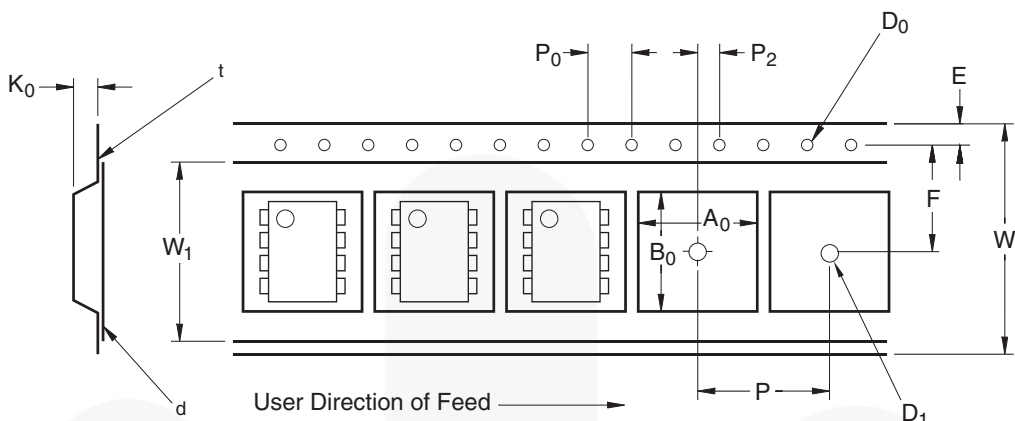
| Definitions |   |
|-------------|---|
| 1           | Fairchild logo  |
| 2           | Device number   |
| 3           | DIN_EN/IEC60747-5-5 Option (only appears on component ordered with this option) |
| 4           | Two digit year code, e.g., '16'   |
| 5           | Two digit work week ranging from '01' to '53'                                   |
| 6           | Assembly package code   |

### Carrier Tape Specifications (Option SD)



| Symbol         | Description                     | Dimension in mm |
|----------------|---------------------------------|-----------------|
| W              | Tape Width                      | 16.0 ± 0.3      |
| t              | Tape Thickness                  | 0.30 ± 0.05     |
| P <sub>0</sub> | Sprocket Hole Pitch             | 4.0 ± 0.1       |
| D <sub>0</sub> | Sprocket Hole Diameter          | 1.55 ± 0.05     |
| E              | Sprocket Hole Location          | 1.75 ± 0.10     |
| F              | Pocket Location                 | 7.5 ± 0.1       |
| P <sub>2</sub> |                                 | 2.0 ± 0.1       |
| P              | Pocket Pitch                    | 12.0 ± 0.1      |
| A <sub>0</sub> | Pocket Dimensions               | 10.30 ± 0.20    |
| B <sub>0</sub> |                                 | 10.30 ± 0.20    |
| K <sub>0</sub> |                                 | 4.90 ± 0.20     |
| W <sub>1</sub> | Cover Tape Width                | 13.2 ± 0.2      |
| d              | Cover Tape Thickness            | 0.1 max         |
|                | Max. Component Rotation or Tilt | 10°             |
| R              | Min. Bending Radius             | 30              |

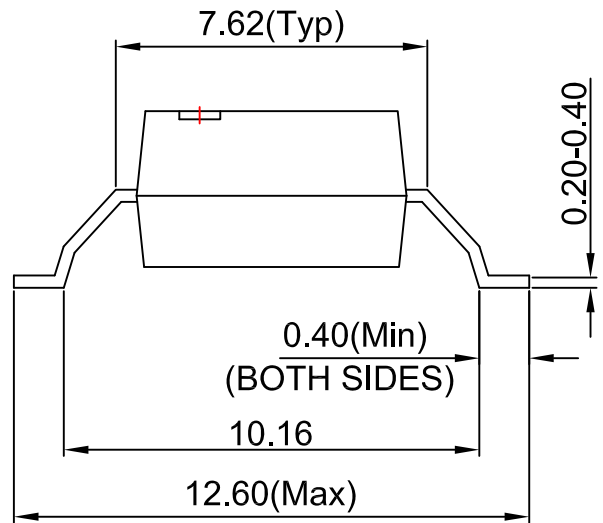
### Carrier Tape Specifications (Option TSR2)



| Symbol         | Description                     | Dimension in mm |
|----------------|---------------------------------|-----------------|
| W              | Tape Width                      | 24.0 ± 0.3      |
| t              | Tape Thickness                  | 0.40 ± 0.1      |
| P <sub>0</sub> | Sprocket Hole Pitch             | 4.0 ± 0.1       |
| D <sub>0</sub> | Sprocket Hole Diameter          | 1.55 ± 0.05     |
| E              | Sprocket Hole Location          | 1.75 ± 0.10     |
| F              | Pocket Location                 | 11.5 ± 0.1      |
| P <sub>2</sub> |                                 | 2.0 ± 0.1       |
| P              | Pocket Pitch                    | 16.0 ± 0.1      |
| A <sub>0</sub> | Pocket Dimensions               | 12.80 ± 0.1     |
| B <sub>0</sub> |                                 | 10.35 ± 0.1     |
| K <sub>0</sub> |                                 | 5.7 ± 0.1       |
| W <sub>1</sub> | Cover Tape Width                | 21.0 ± 0.1      |
| d              | Cover Tape Thickness            | 0.1 max         |
|                | Max. Component Rotation or Tilt | 10°             |
| R              | Min. Bending Radius             | 30              |



LAND PATTERN RECOMMENDATION



NOTES:

- A) NO STANDARD APPLIES TO THIS PACKAGE
- B) ALL DIMENSIONS ARE IN MILLIMETERS.
- C) DIMENSIONS ARE EXCLUSIVE OF BURRS, MOLD FLASH, AND TIE BAR EXTRUSION
- D) DWG FILENAME AND REVISION: MKT-N08Lrev2.



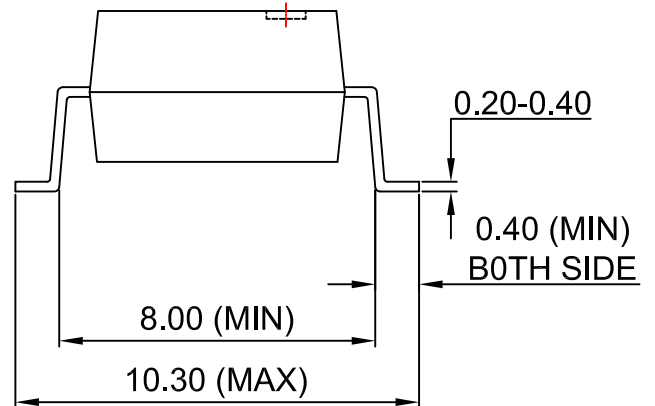


- NOTES:
- A) NO STANDARD APPLIES TO THIS PACKAGE
  - B) ALL DIMENSIONS ARE IN MILLIMETERS.
  - C) DIMENSIONS ARE EXCLUSIVE OF BURRS, MOLD FLASH, AND TIE BAR EXTRUSION
  - D) DRAWING FILENAME AND REVISION: MKT-N08GREV7





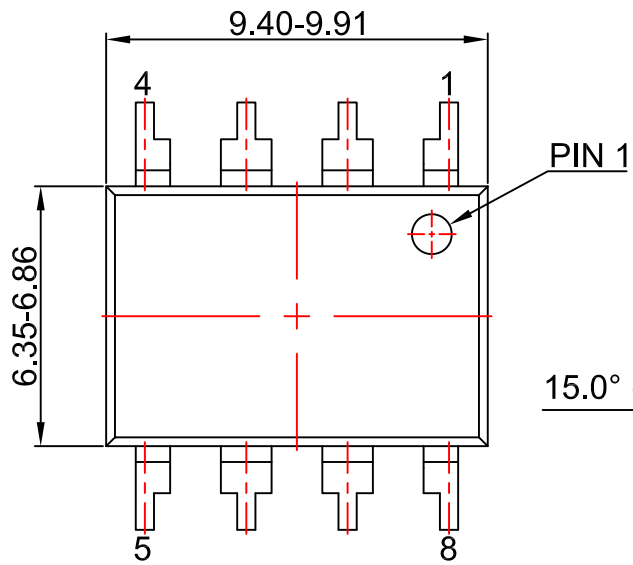
LAND PATTERN RECOMMENDATION



NOTES:

- A) NO STANDARD APPLIES TO THIS PACKAGE
- B) ALL DIMENSIONS ARE IN MILLIMETERS.
- C) DIMENSIONS ARE EXCLUSIVE OF BURRS, MOLD FLASH, AND TIE BAR EXTRUSION
- D) DRAWING FILENAME AND REVISION: MKT-N08Hrev7.





PIN 1

15.0° (MAX)

10.16 (TYP)

0.20-0.40



NOTES:

- A) NO STANDARD APPLIES TO THIS PACKAGE
- B) ALL DIMENSIONS ARE IN MILLIMETERS.
- C) DIMENSIONS ARE EXCLUSIVE OF BURRS, MOLD FLASH, AND TIE BAR EXTRUSION
- D) DRAWING FILENAME AND REVISION: MKT-N08REV7





ON Semiconductor and  are trademarks of Semiconductor Components Industries, LLC dba ON Semiconductor or its subsidiaries in the United States and/or other countries. ON Semiconductor owns the rights to a number of patents, trademarks, copyrights, trade secrets, and other intellectual property. A listing of ON Semiconductor's product/patent coverage may be accessed at [www.onsemi.com/site/pdf/Patent-Marking.pdf](http://www.onsemi.com/site/pdf/Patent-Marking.pdf). ON Semiconductor reserves the right to make changes without further notice to any products herein. ON Semiconductor makes no warranty, representation or guarantee regarding the suitability of its products for any particular purpose, nor does ON Semiconductor assume any liability arising out of the application or use of any product or circuit, and specifically disclaims any and all liability, including without limitation special, consequential or incidental damages. Buyer is responsible for its products and applications using ON Semiconductor products, including compliance with all laws, regulations and safety requirements or standards, regardless of any support or applications information provided by ON Semiconductor. "Typical" parameters which may be provided in ON Semiconductor data sheets and/or specifications can and do vary in different applications and actual performance may vary over time. All operating parameters, including "Typicals" must be validated for each customer application by customer's technical experts. ON Semiconductor does not convey any license under its patent rights nor the rights of others. ON Semiconductor products are not designed, intended, or authorized for use as a critical component in life support systems or any FDA Class 3 medical devices or medical devices with a same or similar classification in a foreign jurisdiction or any devices intended for implantation in the human body. Should Buyer purchase or use ON Semiconductor products for any such unintended or unauthorized application, Buyer shall indemnify and hold ON Semiconductor and its officers, employees, subsidiaries, affiliates, and distributors harmless against all claims, costs, damages, and expenses, and reasonable attorney fees arising out of, directly or indirectly, any claim of personal injury or death associated with such unintended or unauthorized use, even if such claim alleges that ON Semiconductor was negligent regarding the design or manufacture of the part. ON Semiconductor is an Equal Opportunity/Affirmative Action Employer. This literature is subject to all applicable copyright laws and is not for resale in any manner.

## PUBLICATION ORDERING INFORMATION

### LITERATURE FULFILLMENT:

Literature Distribution Center for ON Semiconductor  
19521 E. 32nd Pkwy, Aurora, Colorado 80011 USA  
**Phone:** 303-675-2175 or 800-344-3860 Toll Free USA/Canada  
**Fax:** 303-675-2176 or 800-344-3867 Toll Free USA/Canada  
**Email:** [orderlit@onsemi.com](mailto:orderlit@onsemi.com)

**N. American Technical Support:** 800-282-9855 Toll Free  
USA/Canada  
**Europe, Middle East and Africa Technical Support:**  
Phone: 421 33 790 2910  
**Japan Customer Focus Center**  
Phone: 81-3-5817-1050

**ON Semiconductor Website:** [www.onsemi.com](http://www.onsemi.com)  
**Order Literature:** <http://www.onsemi.com/orderlit>  
For additional information, please contact your local  
Sales Representative

# Mouser Electronics

Authorized Distributor

Click to View Pricing, Inventory, Delivery & Lifecycle Information:

[ON Semiconductor:](#)

[FOD3120](#) [FOD3120SDV](#) [FOD3120SV](#) [FOD3120TV](#) [FOD3120V](#) [FOD3120S](#) [FOD3120SD](#) [FOD3120TSR2V](#)  
[FOD3120TSV](#)

## Данный компонент на территории Российской Федерации

### Вы можете приобрести в компании MosChip.

Для оперативного оформления запроса Вам необходимо перейти по данной ссылке:

<http://moschip.ru/get-element>

Вы можете разместить у нас заказ для любого Вашего проекта, будь то серийное производство или разработка единичного прибора.

В нашем ассортименте представлены ведущие мировые производители активных и пассивных электронных компонентов.

Нашей специализацией является поставка электронной компонентной базы двойного назначения, продукции таких производителей как XILINX, Intel (ex.ALTERA), Vicor, Microchip, Texas Instruments, Analog Devices, Mini-Circuits, Amphenol, Glenair.

Сотрудничество с глобальными дистрибьюторами электронных компонентов, предоставляет возможность заказывать и получать с международных складов практически любой перечень компонентов в оптимальные для Вас сроки.

На всех этапах разработки и производства наши партнеры могут получить квалифицированную поддержку опытных инженеров.

Система менеджмента качества компании отвечает требованиям в соответствии с ГОСТ Р ИСО 9001, ГОСТ РВ 0015-002 и ЭС РД 009

### Офис по работе с юридическими лицами:

105318, г.Москва, ул.Щербаковская д.3, офис 1107, 1118, ДЦ «Щербаковский»

Телефон: +7 495 668-12-70 (многоканальный)

Факс: +7 495 668-12-70 (доб.304)

E-mail: [info@moschip.ru](mailto:info@moschip.ru)

Skype отдела продаж:

moschip.ru

moschip.ru\_4

moschip.ru\_6

moschip.ru\_9