

## DATA-CON-X™: SEALED USB TYPE A & B CONNECTORS

NEW PRODUCT BULLETIN C711

# CONXALL®

A SWITCHCRAFT COMPANY



CONXALL • 601 E Wildwood • Villa Park, IL 60181 • 630-834-7504  
Please visit [conxall.com](http://conxall.com) for the most up-to-date product specifications. Made in the USA.

# DATA-CON-X™: SEALED USB TYPE A & B CONNECTORS

NEW PRODUCT BULLETIN C711



## FEATURES & BENEFITS

- Sealed to IP67 & IP68 NEMA 250 (6P) (when mated)
- Feed-thru termination on the panel for easy field installation
- Field installable design is easy to assemble
- Quick connect bayonet or threaded style interface
- RoHS compliant assembly
- UV F1 rated housing

## APPLICATIONS

- Any sealed data transmission
- Military or industrial GPS location devices
- Instrumentation
- Medical data carts
- Data acquisition units
- General industrial electronic applications



# DATA-CON-X™: SEALED USB TYPE A & B CONNECTORS

NEW PRODUCT BULLETIN C711

## SPECIFICATIONS

### MECHANICAL SPECIFICATIONS

|                         |   |
|-------------------------|---|
| Life:                   | Minimum 350 insertion/withdrawal cycles |
| Hex Nut Torque:         | 10-12 in-lb max                         |
| Coupling Locking Style: | Quick Connect (Bayonet) or Threaded     |
| Backshell Style:        | Threaded Nut-Squeezed Grommet           |

### ELECTRICAL SPECIFICATIONS

|                                  |                      |
|----------------------------------|----------------------|
| Current Rating:                  | 1.5 A                |
| Voltage Rating:                  | Per USB 2.0 standard |
| Contact Resistance:              | 30 mΩ max            |
| Insulation Resistance:           | 1000 MΩ min          |
| Dielectric Withstanding Voltage: | 500 V AC/one minute  |

### ENVIRONMENTAL SPECIFICATIONS

|                               |   |
|-------------------------------|---|
| Operating Temperature Rating: | 0 °C to +50 °C (+32°F to +122°F)        |
| Storage Temperature:          | -20 °C to +60 °C (-4°F to +140°F)       |
| Moisture Resistance:          | Mil-Std 202G Method 106G                |
| Insulation Resistance:        | Mil-Std 202G Method 302                 |
| Vibration:                    | Mil-Std 202G Method 201A                |
| Thermal Shock:                | Mil-Std 202G Method 107G                |
| Weathertight:                 | IP67 & IP68, NEMA 250 (6P) (when mated) |
| Salt Spray:                   | Mil-Std 202G Method 101E                |
| Product Ratings:              | Tested per USB 2.0                      |

### MATERIAL SPECIFICATIONS

|                          |                             |
|--------------------------|-----------------------------|
| Plug Nut, Coupling Ring: | Thermoplastic               |
| Plug Housing, Insert:    | Thermoplastic               |
| Sealing Ring, O-Ring:    | Elastomer                   |
| Panel Housing, Hex Nut:  | Thermoplastic               |
| Retaining Nut:           | Copper Alloy, Nickel Plated |
| Gasket:                  | Elastomer                   |

#### USB A or B Plug:

|            |                              |
|------------|------------------------------|
| Shell:     | Steel, Nickel Plated         |
| Contacts:  | Copper Alloy, Gold Plated    |
| Insulator: | Thermoplastic UL94V-0, White |

#### USB A Receptacle:

|            |                              |
|------------|------------------------------|
| Shell:     | Steel, Nickel Plated         |
| Contacts:  | Copper Alloy, Gold Plated    |
| Insulator: | Thermoplastic UL94V-0, White |

#### USB B Receptacle:

|            |                              |
|------------|------------------------------|
| Shell:     | Copper Alloy, Nickel Plated  |
| Contacts:  | Copper Alloy, Gold Plated    |
| Insulator: | Thermoplastic UL94V-0, White |

### MOLDED CABLE ASSEMBLIES

Consult factory for molded options

### OTHER

|                              |   |
|------------------------------|---|
| Flame Rating:                | UL 94V-0  |
| Recommended Panel Thickness: | 1/32" - 3/16" [0.8mm to 4.8mm] - Quick Connect Coupling<br>1/32" - 5/32" [0.8mm to 3.9mm] - Threaded Coupling |

### Recommended Cable Type

|                         |  |
|-------------------------|--|
| Conductor Type:         | Solid or Stranded Conductors   |
| Outer Cable O.D. Range: | Product 150 Series: 0.134"-0.170" [3.40mm-4.33mm]<br>Product 180 Series: 0.171"-0.208" [4.34mm-5.28mm] |

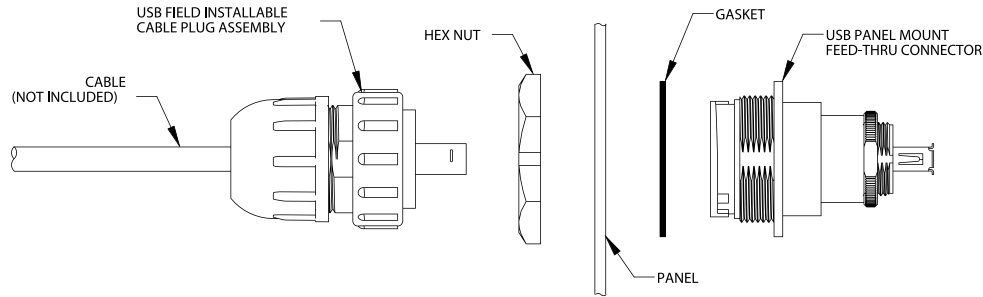


CONXALL • 601 E Wildwood • Villa Park, IL 60181 • 630-834-7504

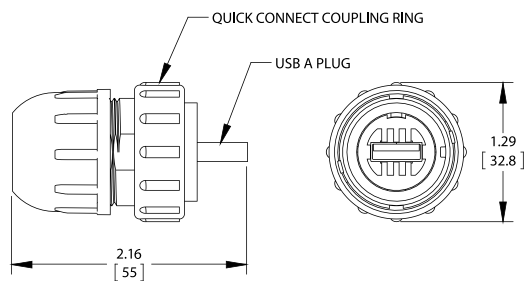
Please visit [conxall.com](http://conxall.com) for the most up-to-date product specifications. Made in the USA.

# DATA-CON-X™: SEALED USB TYPE A & B CONNECTORS

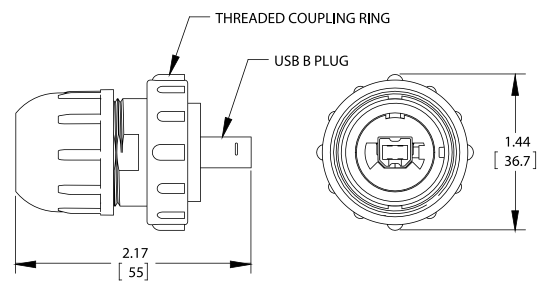
## NEW PRODUCT BULLETIN C711



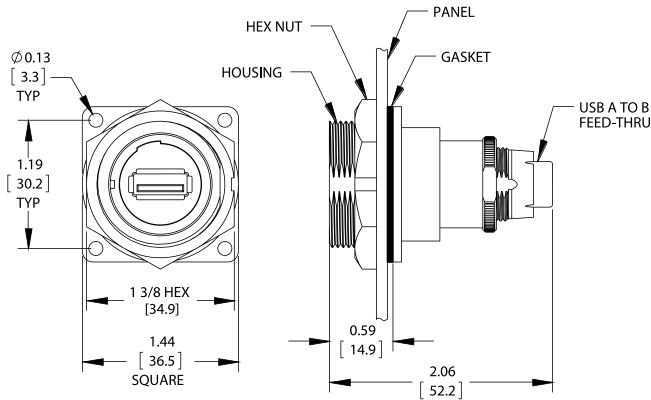
**USB A FIELD INSTALLABLE CABLE PLUG**  
(SHOWN WITH QUICK CONNECT COUPLING)



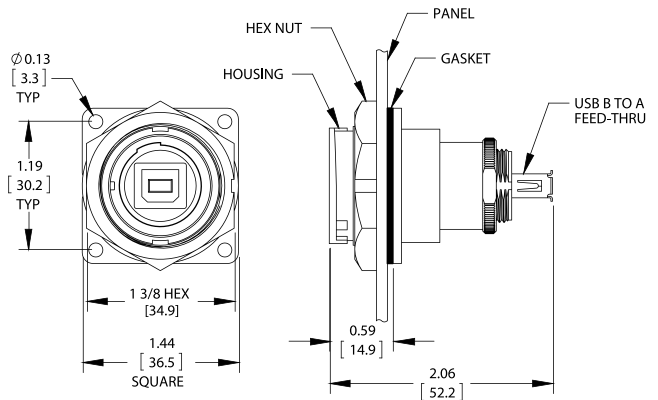
**USB B FIELD INSTALLABLE CABLE PLUG**  
(SHOWN WITH THREADED COUPLING)



**USB PANEL MOUNT FEED-THRU CONNECTOR**  
(SHOWN WITH USB A TO B FEED-THRU CONNECTOR)  
(SHOWN WITH THREADED HOUSING)



**USB PANEL MOUNT FEED-THRU CONNECTOR**  
(SHOWN WITH USB B TO A FEED-THRU CONNECTOR)  
(SHOWN WITH QUICK CONNECT HOUSING)



**USB FIELD INSTALLABLE CABLE PLUG PART NUMBER CHART**

| USB FIELD INSTALLABLE CABLE PLUG ASSEMBLY | PLUG TYPE  | COUPLING TYPE                                   | SERIES   |
|---|--|---|--|
| <b>DCC</b>                                | <b>USBA</b> = USB "A" 2.0<br><b>USBB</b> = USB "B" 2.0 | <b>B</b> = QUICK CONNECT<br><b>T</b> = THREADED | <b>150</b> = Ø0.134-0.170 [3.40-4.33MM]<br><b>180</b> = Ø0.171-0.208 [4.34-5.28MM] |

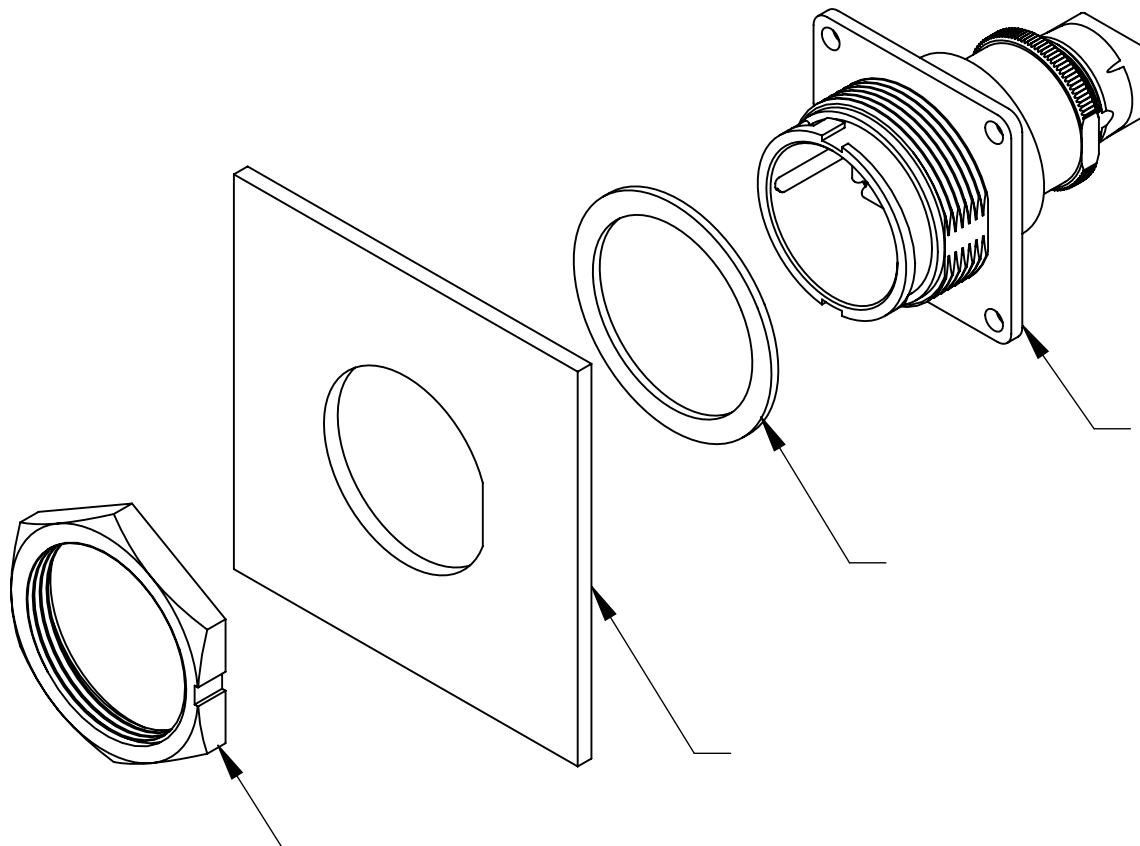
**USB PANEL MOUNT FEED-THRU CONNECTORS PART NUMBER CHART**

| USB FIELD INSTALLABLE PANEL HOUSING ASSEMBLY | RECEPTACLE TYPE (SEALED END)                           | COUPLING TYPE                                   | RECEPTACLE TYPE (NON-SEALED END)   |
|--|--|---|--|
| <b>DCP</b>                                   | <b>USBA</b> = USB "A" 2.0<br><b>USBB</b> = USB "B" 2.0 | <b>B</b> = QUICK CONNECT<br><b>T</b> = THREADED | <b>USBA</b> = USB "A" 2.0 (NOT AVAILABLE WITH USBA ON SEALED END)<br><b>USBB</b> = USB "B" 2.0 (NOT AVAILABLE WITH USBB ON SEALED END) |



# DATA-CON-X™: SEALED USB TYPE A & B CONNECTORS

NEW PRODUCT BULLETIN C711



## NOTES:

1. DCP-USBAB-USBB SHOWN IN EXPLODED VIEW. (USB A TO B WITH QUICK CONNECT COUPLING.)
2. MATED ASSEMBLY MEETS IP-67 & IP-68, NEMA 250 (6P).
3. THESE ASSEMBLIES ARE RoHS COMPLIANT.

## MATERIALS:

GASKET: ELASTOMER  
HEX NUT: THERMOPLASTIC  
USB PANEL HOUSING: THERMOPLASTIC  
RETAINING NUT: COPPER ALLOY, NICKEL PLATED  
USB A RECEPTACLE:  
SHELL: STEEL, NICKEL PLATED  
CONTACTS: COPPER ALLOY, GOLD PLATED  
INSULATOR: THERMOPLASTIC  
USB B RECEPTACLE:  
SHELL: COPPER ALLOY, NICKEL PLATED  
CONTACTS: COPPER ALLOY, GOLD PLATED  
INSULATOR: THERMOPLASTIC

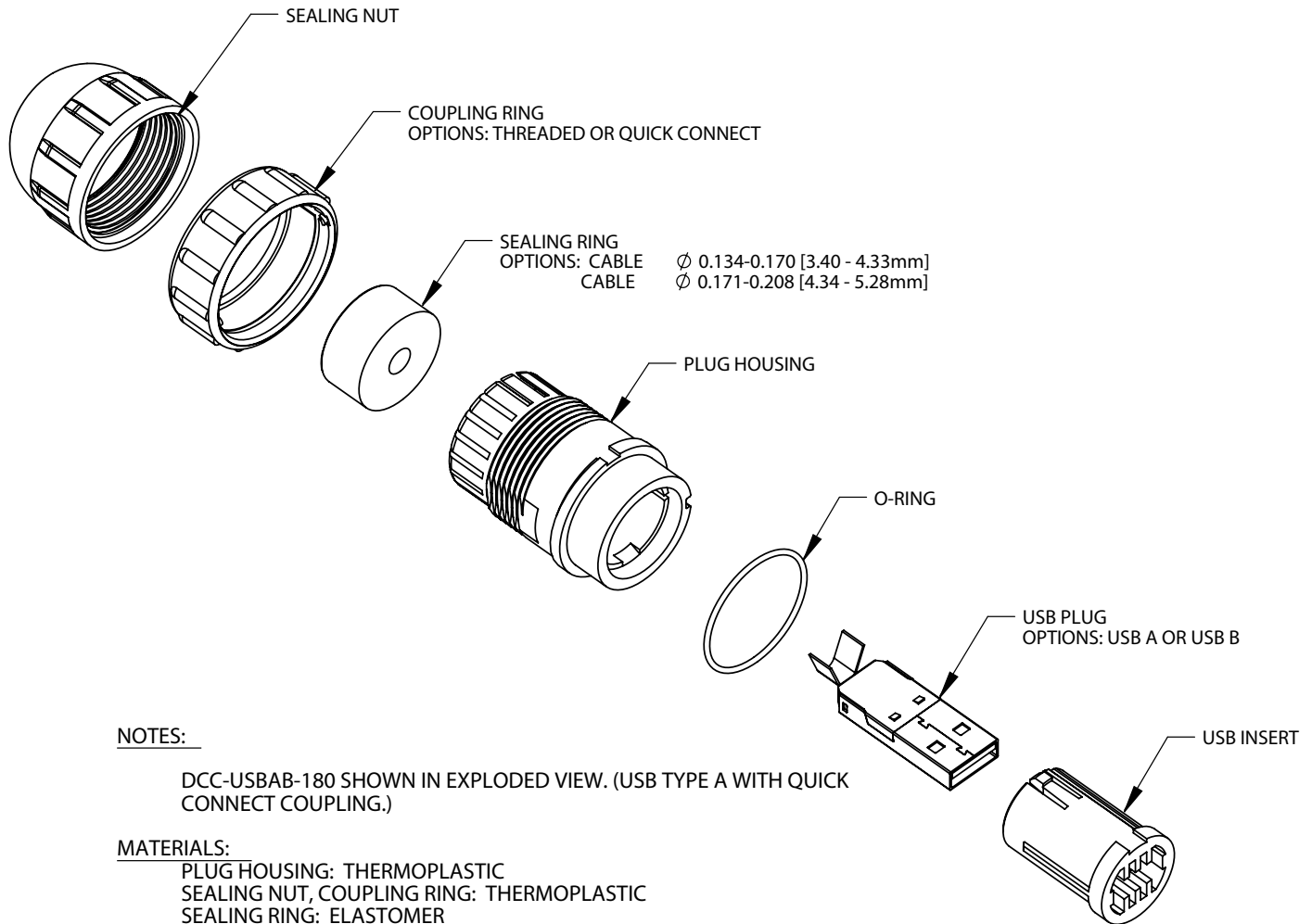
## OTHER:

RECOMMENDED PANEL THICKNESS:  
QUICK CONNECT COUPLING: 1/32" TO 3/16" (0.8mm to 4.8mm)  
THREADED COUPLING: 1/32" TO 5/32" (0.8mm to 3.9mm)



# DATA-CON-X™: SEALED USB TYPE A & B CONNECTORS

## NEW PRODUCT BULLETIN C711



### NOTES:

DCC-USBAB-180 SHOWN IN EXPLODED VIEW. (USB TYPE A WITH QUICK CONNECT COUPLING.)

### MATERIALS:

PLUG HOUSING: THERMOPLASTIC  
SEALING NUT, COUPLING RING: THERMOPLASTIC  
SEALING RING: ELASTOMER  
O-RING: ELASTOMER  
INSERT: THERMOPLASTIC  
USB PLUG:  
INSULATOR: THERMOPLASTIC  
CONTACTS: COPPER ALLOY, GOLD PLATED  
SHIELD: COPPER ALLOY, TIN PLATED

### ELECTRICAL:

VOLTAGE RATING: PER USB 2.0 STANDARD  
CONTACT RESISTANCE: 30 MILLIOHMS MAXIMUM  
CONTACT CURRENT RATING: 1.5 A MINIMUM  
INSULATION RESISTANCE: 1000 MEGAOHMS MINIMUM  
WITHSTANDING VOLTAGE: 500VAC FOR 1 MINUTE

### PRODUCT RATING:

IP67 & IP68, NEMA 250 (6P) WHEN MATED  
USB A PLUG: USB 2.0  
USB B PLUG: USB 2.0

### OTHER:

OPERATING TEMPERATURE: 0 °C TO +50 °C  
RECOMMENDED CABLE TYPE: SOLID OR STRANDED CONDUCTORS  
OUTER CABLE O.D. RANGE:  
PRODUCT 150 SERIES: 0.134-0.170 [3.40mm-4.33mm]  
PRODUCT 180 SERIES: 0.171-0.208 [4.34mm-5.28mm]



## Данный компонент на территории Российской Федерации

### Вы можете приобрести в компании MosChip.

Для оперативного оформления запроса Вам необходимо перейти по данной ссылке:

<http://moschip.ru/get-element>

Вы можете разместить у нас заказ для любого Вашего проекта, будь то серийное производство или разработка единичного прибора.

В нашем ассортименте представлены ведущие мировые производители активных и пассивных электронных компонентов.

Нашей специализацией является поставка электронной компонентной базы двойного назначения, продукции таких производителей как XILINX, Intel (ex.ALTERA), Vicor, Microchip, Texas Instruments, Analog Devices, Mini-Circuits, Amphenol, Glenair.

Сотрудничество с глобальными дистрибьюторами электронных компонентов, предоставляет возможность заказывать и получать с международных складов практически любой перечень компонентов в оптимальные для Вас сроки.

На всех этапах разработки и производства наши партнеры могут получить квалифицированную поддержку опытных инженеров.

Система менеджмента качества компании отвечает требованиям в соответствии с ГОСТ Р ИСО 9001, ГОСТ РВ 0015-002 и ЭС РД 009

### Офис по работе с юридическими лицами:

105318, г.Москва, ул.Щербаковская д.3, офис 1107, 1118, ДЦ «Щербаковский»

Телефон: +7 495 668-12-70 (многоканальный)

Факс: +7 495 668-12-70 (доб.304)

E-mail: [info@moschip.ru](mailto:info@moschip.ru)

Skype отдела продаж:

moschip.ru

moschip.ru\_4

moschip.ru\_6

moschip.ru\_9