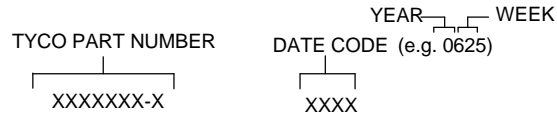


This drawing involves proprietary design rights of Tyco Electronics Corporation, and all design, manufacture, reproduction, use and sale rights regarding the same are expressly reserved. It is submitted for a specific purpose and the recipient by accepting this drawing, assumes custody and control and agrees to take reasonable precautions: (a) that this drawing will not be copied and reproduced, in whole or in part, or its contents revealed in any manner, or to any person except to meet the purpose for which it was delivered and (b) that any special features peculiar to this design will not be incorporated in other projects without the expressed written permission of Tyco Electronics Corporation.

REVISIONS			
ECO NUMBER	REV	DESCRIPTION	DATE
CPR	A	NEW RELEASE	02/14/06
ECO-06-011784	B	UPDATED NOTE 3 TERMINAL: TIN PLATED, MATTE FINISH	05/19/06

6. ITEMS PROVIDED TO THIS SPECIFICATION TO BE PERMANENTLY IDENTIFIED PER THE FOLLOWING IDENTIFIER:



5. ALL DIMENSIONS SHOWN ACROSS A CENTERLINE (C) SHALL BE CENTRALIZED WITHIN THE TOLERANCE INDICATED FOR THAT DIMENSION.

4. A REFERENCE DIMENSION (.XXX) IS WITHOUT TOLERANCE AND USED FOR INFORMATION PURPOSE ONLY.

3. FINISHES:

CONTACTS: SELECTIVE GOLD PLATED, .000030" MIN THICK OVER NICKEL PLATED, .000050" MIN THICK

TERMINALS: SELECTIVE TIN PLATED, MATTE FINISH, .000120" MIN THICK OVER NICKEL PLATED, .000050" MIN THICK

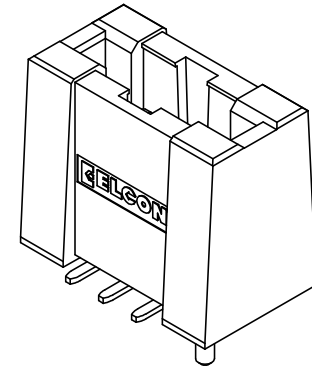
2. MATERIALS:

INSULATORS: THERMOPLASTIC, GLASS REINFORCED, COLOR-BLACK UL94V-0 FLAMMABILITY RATED

CONTACTS: COPPER ALLOY

1. PART NUMBER CHANGES AND OR DESIGN CHANGES AFFECTING ITEM INTERCHANGEABILITY REQUIRE PRIOR TYCO APPROVAL AND AUTHORIZATION BY REVISION TO THIS DRAWING.

NOTES: UNLESS OTHERWISE SPECIFIED

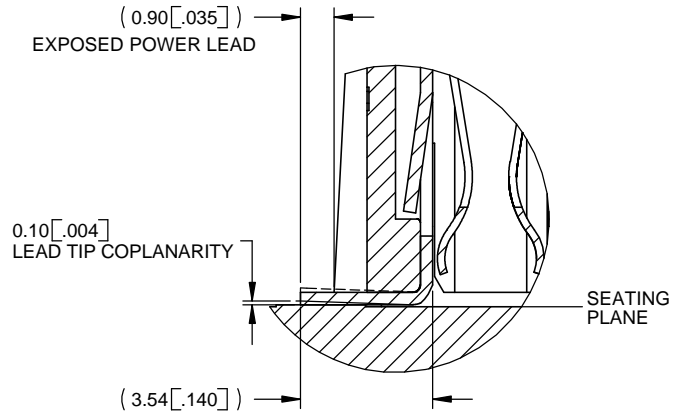
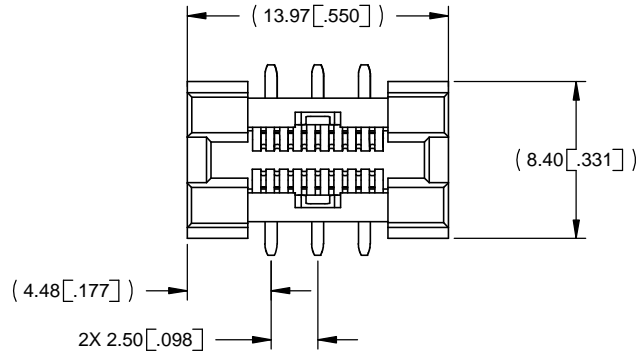


1926057-1	AS SHOWN
PART NUMBER	DESCRIPTION

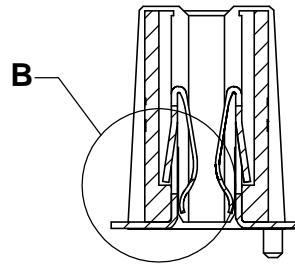
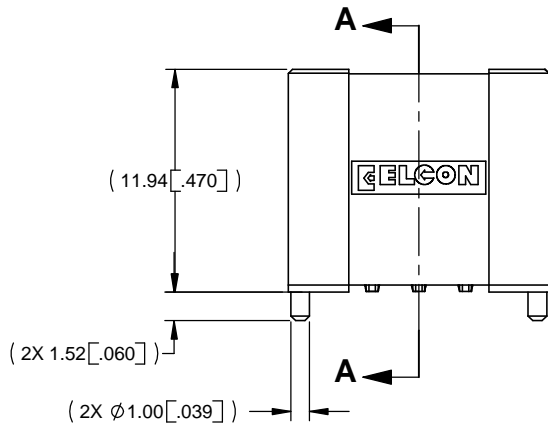
<p>THIRD ANGLE PROJECTION</p> <p>UNLESS OTHERWISE SPECIFIED DIMENSIONS ARE IN METRIC [INCHES]</p> <p>TOLERANCES</p> <p>ANGLES ± 2.0°</p> <p>DECIMALS</p> <p>.XX ± 0.25 [.010]</p> <p>.X ± 0.5 [.02]</p>	DRAWN HA NGUYEN	DATE 02/13/06	Tyco Electronics Corporation Menlo Park, CA 94025 	TITLE CONNECTOR, SOCKET, STRAIGHT SINGLE POWER, SURFACE MOUNT P1S0 CROWN EDGE		
	CHECKED			SIZE	DWG NUMBER	REV.
	APPROVED D. CHAU	05/19/06		B	C = 1926057	B
	DCA APPROVED HA NGUYEN	05/19/06		FILE NAME SC1926057B.SLDDRW		DWG SCALE: 4 = 1

This drawing involves proprietary design rights of Tyco Electronics Corporation, and all design, manufacture, reproduction, use and sale rights regarding the same are expressly reserved. It is submitted for a specific purpose and the recipient by accepting this drawing, assumes custody and control and agrees to take reasonable precautions: (a) that this drawing will not be copied and reproduced, in whole or in part, or its contents revealed in any manner, or to any person except to meet the purpose for which it was delivered and (b) that any special features peculiar to this design will not be incorporated in other projects without the expressed written permission of Tyco Electronics Corporation.

REVISIONS			
ECO NUMBER	REV	DESCRIPTION	DATE
		NEW RELEASE	



DETAIL B  
SCALE 8 : 1

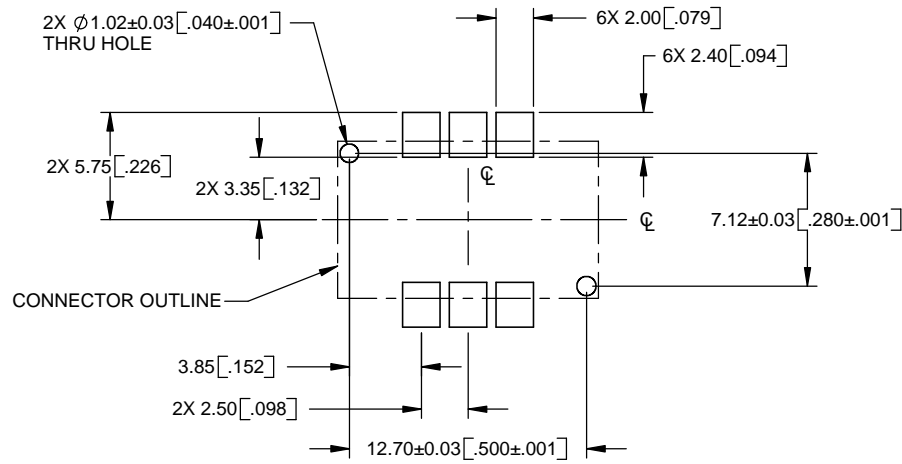


SECTION A-A  
SCALE 4 : 1

THIRD ANGLE PROJECTION UNLESS OTHERWISE SPECIFIED DIMENSIONS ARE IN METRIC [INCHES] TOLERANCES ANGLES ± 2.0° DECIMALS .XX ± 0.25 [.010] .X ± 0.5 [.02]	DRAWN HA NGUYEN	DATE 02/13/06	Tyco Electronics Corporation Menlo Park, CA 94025		
	CHECKED		TITLE		
	APPROVED		CONNECTOR, SOCKET, STRAIGHT SINGLE POWER, SURFACE MOUNT P150 CROWN EDGE		
	APPROVED D. CHAU	05/19/06	SIZE	DWG NUMBER	REV.
	DCA APPROVED HA NGUYEN	05/19/06	<b>B</b>	<b>C</b> = 1926057	<b>B</b>
FILE NAME	SC1926057B.SLDDRW		DWG SCALE: 4 = 1	SH 2 OF 3	

This drawing involves proprietary design rights of Tyco Electronics Corporation, and all design, manufacture, reproduction, use and sale rights regarding the same are expressly reserved. It is submitted for a specific purpose and the recipient by accepting this drawing, assumes custody and control and agrees to take reasonable precautions: (a) that this drawing will not be copied and reproduced, in whole or in part, or its contents revealed in any manner, or to any person except to meet the purpose for which it was delivered and (b) that any special features peculiar to this design will not be incorporated in other projects without the expressed written permission of Tyco Electronics Corporation.

REVISIONS		
ECO NUMBER	REV	DESCRIPTION
		SEE SHEET 1



RECOMMENDED SOLDER LAND GUIDELINE  
AS VIEW FROM CONNECTOR MOUNTING SIDE

<p>THIRD ANGLE PROJECTION</p> <p>UNLESS OTHERWISE SPECIFIED DIMENSIONS ARE IN METRIC [INCHES]</p> <p>TOLERANCES</p> <p>ANGLES ± 2.0°</p> <p>DECIMALS</p> <p>.XX ± 0.25 [.010]</p> <p>.X ± 0.5 [.02]</p>	<p>DRAWN HA NGUYEN</p> <p>CHECKED</p> <p>APPROVED</p> <p>APPROVED D. CHAU</p> <p>DCA APPROVED HA NGUYEN</p> <p>FILE NAME SC1926057B.SLDDRW</p>	<p>DATE 02/13/06</p> <p>05/19/06</p> <p>05/19/06</p>	<p><b>Tyco</b> <b>Electronics</b></p> <p>Tyco Electronics Corporation Menlo Park, CA 94025</p> <p><b>ELCON</b></p> <p>TITLE <b>USER INFORMATION RECOMMENDED SOLDER LAND GUIDELINE</b></p> <p>SIZE <b>B</b> DWG NUMBER <b>C = 1926057</b> REV. <b>B</b></p>
	DWG SCALE: 4=1		SH 3 OF 3

## Данный компонент на территории Российской Федерации

### Вы можете приобрести в компании MosChip.

Для оперативного оформления запроса Вам необходимо перейти по данной ссылке:

<http://moschip.ru/get-element>

Вы можете разместить у нас заказ для любого Вашего проекта, будь то серийное производство или разработка единичного прибора.

В нашем ассортименте представлены ведущие мировые производители активных и пассивных электронных компонентов.

Нашей специализацией является поставка электронной компонентной базы двойного назначения, продукции таких производителей как XILINX, Intel (ex.ALTERA), Vicor, Microchip, Texas Instruments, Analog Devices, Mini-Circuits, Amphenol, Glenair.

Сотрудничество с глобальными дистрибьюторами электронных компонентов, предоставляет возможность заказывать и получать с международных складов практически любой перечень компонентов в оптимальные для Вас сроки.

На всех этапах разработки и производства наши партнеры могут получить квалифицированную поддержку опытных инженеров.

Система менеджмента качества компании отвечает требованиям в соответствии с ГОСТ Р ИСО 9001, ГОСТ РВ 0015-002 и ЭС РД 009

### Офис по работе с юридическими лицами:

105318, г.Москва, ул.Щербаковская д.3, офис 1107, 1118, ДЦ «Щербаковский»

Телефон: +7 495 668-12-70 (многоканальный)

Факс: +7 495 668-12-70 (доб.304)

E-mail: [info@moschip.ru](mailto:info@moschip.ru)

Skype отдела продаж:

moschip.ru

moschip.ru\_4

moschip.ru\_6

moschip.ru\_9