

USB Type-C Ultra-Low-THD Audio and Data Switch Array

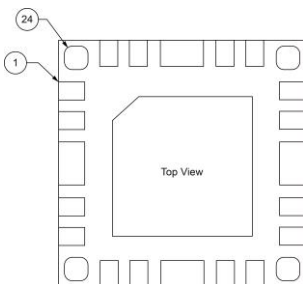
Features

- Support USB High Speed (480Mbps) and Full Speed (12Mbps) Signaling Capability per USB 2.0
- USB switches: High bandwidth (1 GHz) & Low On-Resistance (5 ohm).
- Audio switches: Low On-Resistance (1 ohm).
- Support USB Type-C Audio Accessory Mode per USB Type-C Cable and Connector Specification 1.1
- Low Distortion (THD: -110dB from 20Hz to 20kHz, 2.0VRMS, 32ohm load)
- Negative Signal (+/-3V) Handling Capability
- Programmable soft-start and soft-stop time to eliminate click/pop sounds of DC-coupled audio signals
- High Off Isolation: -85dB @ 30kHz
- High Crosstalk Rejection: -85dB @ 30kHz
- Autonomous microphone and ground lines Switching
- Separate Ground switches for microphone and audio to minimize crosstalk
- Sideband switches
- I2C control
- Wide VDD Range: 1.7V to 5.5V
- ESD: 4kV for HBM mode, 1kV for CDM mode
- Extended Industrial Temperature Range: -40°C to 85°C
- Totally Lead-Free & Fully RoHS Compliant (Notes 1 & 2)
- Halogen and Antimony Free. "Green" Device (Note 3)
- Packaging (Pb-free & Green): TQFN-24 (3mm x 3mm)

Applications

- Notebook, PC
- Cell Phones, PDAs, MP3 Players
- Portable Instrumentation

Pin Assignment



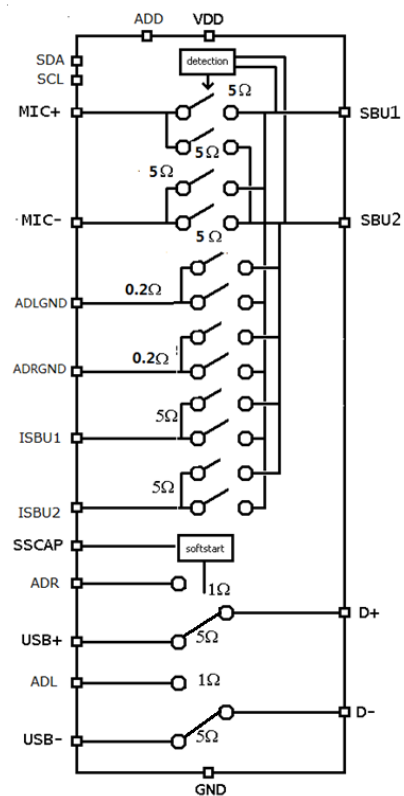
Description

PI3A6386 includes a dual, single-pole double throw (SPDT) switch for high speed USB signal and high quality audio signal. It can be used in USB Type-C D+/D- switching for USB signal in data mode and analog audio signal in audio accessory mode.

The audio path with negative signal handling capability has a very low THD of -110dB for high quality audio requirement. It also has a programmable soft-start/soft-stop feature to eliminate the click/pop sounds of DC-coupled audio signals. The data path has a high USB bandwidth of 1 GHz for USB High Speed signals.

PI3A6386 can also detect the microphone signals in SBU1 and SBU2, and automatically route them to the correct inputs of microphone amplifier. Separate switches for microphone negative input and audio signal ground can minimize the crosstalk & echo between audio output signals and microphone input signals. Sideband switches can be configured to route SBU1 and SBU2 for sideband usage.

Functional Block Diagram

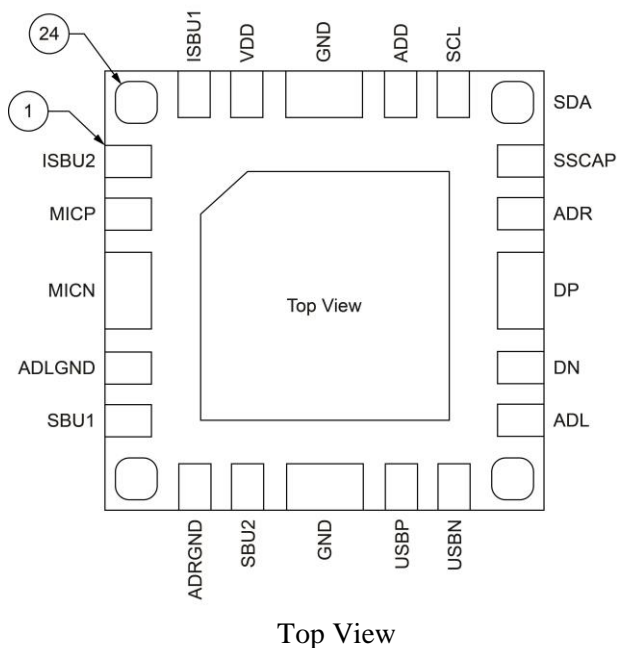


Notes:

1. No purposely added lead. Fully EU Directive 2002/95/EC (RoHS), 2011/65/EU (RoHS 2) & 2015/863/EU (RoHS 3) compliant.
2. See <https://www.diodes.com/quality/lead-free/> for more information about Diodes Incorporated's definitions of Halogen- and Antimony-free, "Green" and Lead-free.
3. Halogen- and Antimony-free "Green" products are defined as those which contain <900ppm bromine, <900ppm chlorine (<1500ppm total Br + Cl) and <1000ppm antimony compounds.

Pin Description

Pin#	Name	Description
1	ISBU2	Sideband 2
2	MIC+	Microphone +
3	MIC-	Microphone -
4	ADLGND	Ground for Audio Signal L
5	SBU1	SBU1 of USB receptacle
7	ADRGND	Ground for Audio Signal R
8	SBU2	SBU2 of USB receptacle
10	USB+	USB Signal +
11	USB-	USB Signal -
13	ADL	Audio Signal L
14	D-	D- pin of USB receptacle
15	D+	D+ pin of USB receptacle
16	ADR	Audio Signal R
17	SSCAP	Slew Rate Control
18	SDA	I2C Data Input /Output
19	SCL	I2C Clock Input
20	ADD	I2C Slave Address Select
22	VDD	Power Supply
23	ISBU1	Sideband 1
9, 21, Thermal Pad	GND	Ground
6, 12, 24	NC	No Connection



Maximum Ratings

Storage Temperature.....	-65°C to +150°C
Ambient Temperature with Power Applied.....	-40°C to +85°C
Supply Voltage V_{DD}	-0.5V to +6V
Input Voltage of All I/O Pins (Except Audio Path).....	-0.5V to +6V
Input Voltage of Audio Path (D+/D-).....	-3.5V to +6V
Input Voltage of Audio Path (ADR/ADL).....	-3.5V to +3.5V
Continuous Current of Audio Switches.....	±150mA
Continuous Current of All Switches.....	±20mA
Peak Current of Audio Switches (pulsed at 50% duty cycle) ...	±200mA
Peak Current of All Switches (pulsed at 50% duty cycle)	±30mA
ESD HBM mode.....	4kV
CDM mode.....	1kV

Note:

Stresses greater than those listed under **MAXIMUM RATINGS** may cause permanent damage to the device. This is a stress rating only and functional operation of the device at these or any other conditions above those indicated in the operational sections of this specification is not implied. Exposure to absolute maximum rating conditions for extended periods may affect reliability.

Control input must be held HIGH or LOW; it must not float.

Recommended Operating Conditions

Symbol	Parameter	Min.	Typ.	Max.	Unit
V_{DD}	Supply Voltage	1.7	-	5.5	V
V_{IO}	Input Voltage of All I/O Pins (Except ADR/ADL/D+/D-)	-0.3	-	5.5	V
V_{AUDIO}	Input Voltage of Audio Path (ADR/ADL)	-3	-	3	V
$V_{D+/-}$	Input Voltage of D+/D-	-3	-	5.5	V
T_A	Operating Temperature	-40	25	85	°C

Electrical Characteristics

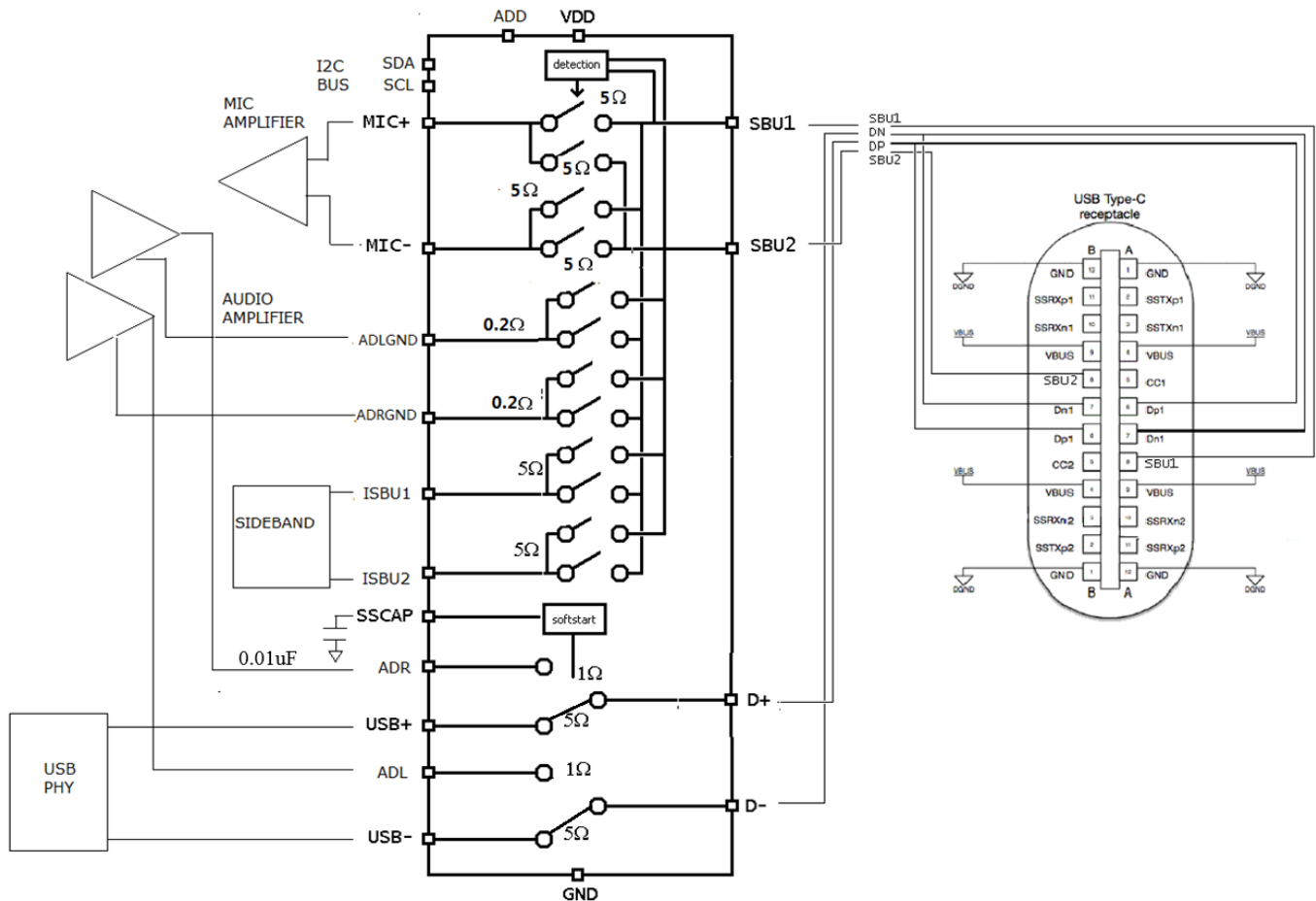
($T_A = -40^\circ\text{C}$ to 85°C , unless otherwise noted. Typical values are at 3.3V V_{DD} and $+25^\circ\text{C}$.)

Parameter	Symbol	Test Conditions	Min.	Typ.	Max.	Unit	
ANALOG SWITCH (ADR, ADL)							
Analog Signal Range	$V_{ADR/ADL+/-}$ $V_{D+/D-}$		-3	-	3	V	
On-Resistance	R_{ON}	$V_{ADR/ADL} = -3\text{V to } +3\text{V}$, $I_{Load} = -100\text{mA}$	-	1	-	Ω	
On-Resistance Match Between Channels	ΔR_{ON}		-	0.05	0.2	Ω	
On-Resistance Flatness	R_{ONF}	$V_{ADR/ADL} = -3\text{V to } +3\text{V}$		0.005	0.025	Ω	
ANALOG GROUND SWITCH (ADRGND, ADLGND)							
On-Resistance	R_{ON}	$V_{ADRGND/ADLGND} = 0\text{V}$, $I_{Load} = -100\text{mA}$	-	0.2	-	Ω	
AUDIO SWITCH DYNAMIC CHARACTERISTICS							
Turn-Off Time	t_{OFF}	$V_{AUDIO+/-} = 3\text{V}$, $R_L = 32\Omega$ SSCAP=float		30		μs	
Turn-On Time	t_{ON}	$V_{AUDIO+/-} = 3\text{V}$, $R_L = 32\Omega$ SSCAP=float		30		μs	
Soft-Start Time	t_{START}	SSCAP=0.01 μF $V_{NC} = 0.1\text{V}$, 10% to 90%		5		ms	
Soft-Stop Time	t_{STOP}	SSCAP=0.01 μF $V_{NC} = 0.1\text{V}$, 90% to 10%		5		ms	
Off-Isolation (AUDIO+/- to D+/D-)	O_{ISO}	$V_{BIAS} = 0\text{V}$, $V_{IN} = 0\text{dBm}$ (NOTE1)	30kHz	-	-85	-	dB
Channel-to-Channel Crosstalk (AUDIO+ to AUDIO-)	X_{TALKD}	$V_{BIAS} = 0\text{V}$, $V_{IN} = 0\text{dBm}$ (NOTE1)	30kHz	-	-85	-	dB

Parameter	Symbol	Test Conditions	Min.	Typ.	Max.	Unit
-3dB Bandwidth	f_{3dB}	$V_{BIAS}=0V, V_{IN}=0dBm$ (NOTE1)	-	1000	-	MHz
Total Harmonic Distortion	THD+N	$f=20Hz$ to $20kHz, R_L=32\Omega, V_{IN}=2.0V_{RMS}, V_{BIAS}=0V$ (NOTE1)	-	-110	-	dB
DATA SWITCH (USB+, USB-)						
Data Signal Range	$V_{USB+/-}, V_{D+/-}$		-0.3	-	5.5	V
On-Resistance	R_{ON}	$V_{USB+/-}=0V, 0.4V, I_{load}=-8mA$	-	5	-	Ω
On-Resistance Match Between Channels	ΔR_{ON}	$V_{USB+/-}=0V\sim 1V, I_{load}=-8mA$	-	0.025	0.25	Ω
DATA SWITCH DYNAMIC CHARACTERISTICS						
Turn-Off Time	t_{OFF}	$V_{USB+/-} = 3V, R_L = 50\Omega$		1		μs
Turn-On Time	t_{ON}	$V_{USB+/-} = 3V, R_L = 50\Omega$		30		μs
Off-Isolation (USB+/- to D+/D-)	O_{ISO}	$V_{BIAS}=0V, V_{IN}=0dBm$ (NOTE1) 240MHz	-	-25	-	dB
Channel-to-Channel Crosstalk (USB+ to USB-)	X_{TALKD}	$V_{BIAS}=0V, V_{IN}=0dBm$ (NOTE1) 240MHz	-	-25	-	dB
-3dB Bandwidth	f_{3dB}	$V_{BIAS}=0V, V_{IN}=0dBm$ (NOTE1)	-	1	-	GHz
Switch on capacitance	C_{on}	$V_{CC}=3.3V, frequency :240MHz$		6		pF
MICROPHONE SWITCHES (MIC+, MIC-)						
Microphone Signal Range	$V_{MIC+/-}$		-0.3	-	3.6	V
MIC+, MIC- On-Resistance	R_{ON}	$V_{MIC+} = 0V$ to $+2.6V, I_{Load}=-8mA$	-	5	-	Ω
MIC+ On-Resistance Flatness	R_{ONF}	$V_{MIC+} = 0V$ to $+2.6V, V_{DD}>2.5V$		0.01	0.1	Ω
		$V_{MIC+} = 0V$ to $+2.6V, V_{DD}<2.5V$		0.01	0.25	Ω
Off-Isolation (MIC+, MIC- to SBU1/SBU2)	O_{ISO}	$V_{BIAS}=0V, V_{IN}=0dBm$ (NOTE1) 30kHz	-	-85	-	dB
Channel-to-Channel Crosstalk (MIC+ to MIC-)	X_{TALKD}	$V_{BIAS}=0V, V_{IN}=0dBm$ (NOTE1) 30kHz	-	-85	-	dB
Total Harmonic Distortion	THD+N	$f=20Hz$ to $20kHz, R_L=600\Omega, V_{IN}=0.1V_{RMS}, V_{BIAS}=2V$ (NOTE1)	-	-90	-	dB
SIDEBAND SWITCH (ISBU1, ISBU2)						
On-Resistance	R_{ON}	$V_{ISBU1/2}=0V, 3.6V, I_{Load}=-8mA$	-	5	-	Ω
-3dB Bandwidth	f_{3dB}	$V_{BIAS}=0V, V_{IN}=0dBm$ (NOTE1)	-	100	-	MHz
I2C INPUT (SCL, SDA)						
Input Logic High	V_{IH}		0.7V D			
Input Logic Low	V_{IL}				0.25V DD	
SCL Frequency	f_{SCL}		0		1	MHz
SCL Input capacitance	C_i	$V_I = GND$	-	5	10	pF
SDA Low level Output Current	I_{OL}	$V_{OL}=0.4V$	20	-	-	mA
CURRENT CONSUMPTION						
Operating Current	I_{CC}		-	100	250	μA
Shutdown Current	I_{SD}				1	μA
MICROPHONE DETECTION						
Valid Headphone Impedance	R_{LR}	TRRS connector	16	-	64-	Ω
	R_{LR}	TRS connector	16	-	-	Ω
Valid Microphone Impedance	R_{MIC}	TRRS connector	600	-	-	Ω

Note 1: These parameters are measured on TA=25°C

Typical Application Circuit



Function Description

The PI3A6386 is a completed switch array to route the USB/AUDIO/Sideband signals between a Type-C receptacle and internal USB PHY/audio amplifier/microphone amplifier and other sideband circuits. It also includes the automatic microphone detection to detect the various configurations/orientations. It operates from a 1.8V to 5.5V supply and is controlled through I2C.

During Audio Accessory Mode, the PI3A6386 includes a pair of ultra-low THD, low on-resistance audio switches for high-performance audio applications to route the D+/D- to audio amplifier. The Beyond-the-Rails signal capability allows signals below ground and above Vdd to pass without distortion. Soft start/stop feature can minimize the click-and-pop sound due to the offset voltage of the audio amplifier. An automatic microphone detection can detect the configurations of the microphone and route SBU1/2 to the microphone amplifier and ground correspondingly. Separate grounds for microphone, audio L and audio R signals are provided to minimize the crosstalk/echo between them.

During DFP/UEP mode, the PI3A6386 has a pair of high bandwidth data switches to route D+/D- to USB PHY for USB 2.0 (High Speed and Full Speed) applications. Sideband crossbar switch is also provided to swap SBU1/2 based on the orientation of the Type-C plug.

When a device is attached to the USB Type-C port, the Type-C port controller can determine whether it is a DFP/UEP device or an audio accessory. In case of an audio accessory, the system controller will tell PI3A6386 to initialize the detection of the microphone connections through Bit 3 of the control register. After the detection is completed and the results are reported in Bit 2-0 of the

information register. The system controller can then enable the switch array and route the audio signals to the audio accessory with Bit 6,5,2,1 of the control register. In case of a DFP/UFPP device, the system controller can directly enable the switch array and route the USB signals to the USB PHY, and route the Sideband signal to the internal circuits with Bit 6, 5, 4, 2, 1 of the control register.

I2C Control

The PI3A6386 provides the I2C interface to control the connections of Audio/Data mux, Sideband/Microphone mux, Sideband crossbar switch and report how Mic+/Mic- connected to SBU1/SBU2. Max 2 I2C slave addresses can be configured by connecting ADD to VDD/GND.

a. Device address

Table 1: Device address

	b7(MSB)	b6	b5	b4	b3	b2	b1	b0
Address Byte (ADDR = 0)	1	0	0	0	0	0	1	R/W
Address Byte (ADDR = 1)	1	0	0	1	0	0	1	R/W

Note: Read "1", Write "0"

b. Registers

Command byte

The command byte is the first byte to follow the address byte during a write transmission. It is used as a pointer to determine which of the following registers will be written or read.

Table 2: Command byte

Command	Register
0	Information register
1	Control register

Register 0: Information register

Table 3: Information register

	b7(MSB)-b3	b2	b1	b0
Name	Reserved	Mic detection Success	Mic present	Mic+/Mic- Connection
Description		1 : detection not successful 0 : detection successful (only valid if Register 1 b1=1)	1 : Mic not present 0 : Mic present (only valid if Register 1 b1=1)	1 : Mic+/Mic- connected to SBU1/SBU2 0 : Mic+/Mic- connected to SBU2/SBU1 (only valid if Register 1 b1=1)
Type	R	R	R	R
Default	1	1	1	1

Register 1: Control register

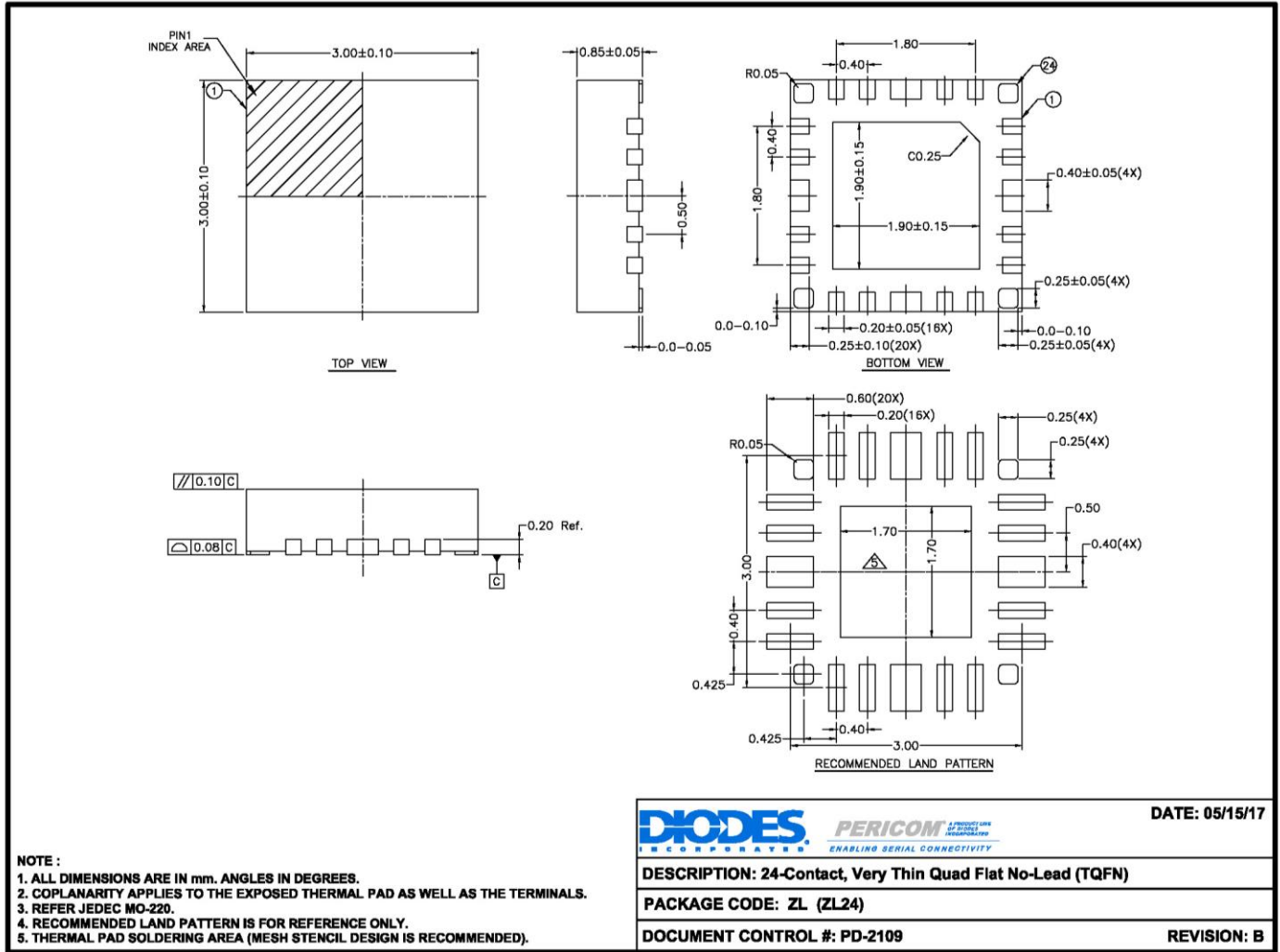
Table 4: Control register

	b7(MSB)	b6	b5	b4	b3	b2	b1	b0
Name	Enable	USB/ AUDIO Mux	Mic/Sideband Mux	Sideband Mux	Detection	USB/ AUDIO Mux Connect ion	Mic/Sideb and Mux Connectio n	Reser ved
Description	0 : IC disabled and all switches disconnected 1: IC enabled	0 : D+/D- connected to ADR/ARL 1: D+/D- connected to USB+/USB- (only valid if Register 1 b2 = 0)	0: SBU1/SBU2 connected to Mic+/Mic-, ADLGND, ADRGND or Mic-, ADLGND, ADRGND /Mic+ 1: SBU1/SBU2 connected to ISBU1/ISBU2 (only valid if Register 1 b1 = 0)	0 : SBU1/SBU2 connected to ISBU2/ISBU1 1: SBU1/SBU2 connected to ISBU1/ISBU2 (only valid if Register 1 b1=0 & b5 = 1)	0 : Start Mic detection (After the mic detection cycle, b3 will be reset to 1.) 1 : Stop Mic detection/Detection stop (During mic detection cycle, writing 1 to b3 can force mic detection stop)	0: Closed 1: Opened	0: Closed 1: Opened	
Type	R/W	R/W	R/W	R/W	R/W	R/W	R/W	R/W
Default	1	1	1	1	1	0	1	1

Part Marking

Top mark not available at this time. To obtain advance information regarding the top mark, please contact your local sales representative.

Packaging Mechanical:
TQFN-24 (ZL)



For latest package info.

please check: <http://www.diodes.com/design/support/packaging/pericom-packaging/packaging-mechanicals-and-thermal-characteristics/>

Ordering Information

Part Number	Package Code	Package
PI3A6386ZLEX	ZL	24-Contact, Very Thin Quad Flat No-Lead (TQFN)

Notes:

- No purposely added lead. Fully EU Directive 2002/95/EC (RoHS), 2011/65/EU (RoHS 2) & 2015/863/EU (RoHS 3) compliant.
- See <http://www.diodes.com/quality/lead-free/> for more information about Diodes Incorporated's definitions of Halogen- and Antimony-free, "Green" and Lead-free.
- Thermal characteristics can be found on the company web site at www.diodes.com/design/support/packaging/
- E = Pb-free and Green
- X suffix = Tape/Reel

IMPORTANT NOTICE

DIODES INCORPORATED MAKES NO WARRANTY OF ANY KIND, EXPRESS OR IMPLIED, WITH REGARDS TO THIS DOCUMENT, INCLUDING, BUT NOT LIMITED TO, THE IMPLIED WARRANTIES OF MERCHANTABILITY AND FITNESS FOR A PARTICULAR PURPOSE (AND THEIR EQUIVALENTS UNDER THE LAWS OF ANY JURISDICTION).

Diodes Incorporated and its subsidiaries reserve the right to make modifications, enhancements, improvements, corrections or other changes without further notice to this document and any product described herein. Diodes Incorporated does not assume any liability arising out of the application or use of this document or any product described herein; neither does Diodes Incorporated convey any license under its patent or trademark rights, nor the rights of others. Any Customer or user of this document or products described herein in such applications shall assume all risks of such use and will agree to hold Diodes Incorporated and all the companies whose products are represented on Diodes Incorporated website, harmless against all damages.

Diodes Incorporated does not warrant or accept any liability whatsoever in respect of any products purchased through unauthorized sales channel.

Should Customers purchase or use Diodes Incorporated products for any unintended or unauthorized application, Customers shall indemnify and hold Diodes Incorporated and its representatives harmless against all claims, damages, expenses, and attorney fees arising out of, directly or indirectly, any claim of personal injury or death associated with such unintended or unauthorized application.

Products described herein may be covered by one or more United States, international or foreign patents pending. Product names and markings noted herein may also be covered by one or more United States, international or foreign trademarks.

This document is written in English but may be translated into multiple languages for reference. Only the English version of this document is the final and determinative format released by Diodes Incorporated.

LIFE SUPPORT

Diodes Incorporated products are specifically not authorized for use as critical components in life support devices or systems without the express written approval of the Chief Executive Officer of Diodes Incorporated. As used herein:

A. Life support devices or systems are devices or systems which:

1. are intended to implant into the body, or
2. support or sustain life and whose failure to perform when properly used in accordance with instructions for use provided in the labeling can be reasonably expected to result in significant injury to the user.

B. A critical component is any component in a life support device or system whose failure to perform can be reasonably expected to cause the failure of the life support device or to affect its safety or effectiveness.

Customers represent that they have all necessary expertise in the safety and regulatory ramifications of their life support devices or systems, and acknowledge and agree that they are solely responsible for all legal, regulatory and safety-related requirements concerning their products and any use of Diodes Incorporated products in such safety-critical, life support devices or systems, notwithstanding any devices- or systems-related information or support that may be provided by Diodes Incorporated. Further, Customers must fully indemnify Diodes Incorporated and its representatives against any damages arising out of the use of Diodes Incorporated products in such safety-critical, life support devices or systems.

Copyright © 2016, Diodes Incorporated
www.diodes.com

Данный компонент на территории Российской Федерации

Вы можете приобрести в компании MosChip.

Для оперативного оформления запроса Вам необходимо перейти по данной ссылке:

<http://moschip.ru/get-element>

Вы можете разместить у нас заказ для любого Вашего проекта, будь то серийное производство или разработка единичного прибора.

В нашем ассортименте представлены ведущие мировые производители активных и пассивных электронных компонентов.

Нашей специализацией является поставка электронной компонентной базы двойного назначения, продукции таких производителей как XILINX, Intel (ex.ALTERA), Vicor, Microchip, Texas Instruments, Analog Devices, Mini-Circuits, Amphenol, Glenair.

Сотрудничество с глобальными дистрибьюторами электронных компонентов, предоставляет возможность заказывать и получать с международных складов практически любой перечень компонентов в оптимальные для Вас сроки.

На всех этапах разработки и производства наши партнеры могут получить квалифицированную поддержку опытных инженеров.

Система менеджмента качества компании отвечает требованиям в соответствии с ГОСТ Р ИСО 9001, ГОСТ РВ 0015-002 и ЭС РД 009

Офис по работе с юридическими лицами:

105318, г.Москва, ул.Щербаковская д.3, офис 1107, 1118, ДЦ «Щербаковский»

Телефон: +7 495 668-12-70 (многоканальный)

Факс: +7 495 668-12-70 (доб.304)

E-mail: info@moschip.ru

Skype отдела продаж:

moschip.ru

moschip.ru_4

moschip.ru_6

moschip.ru_9