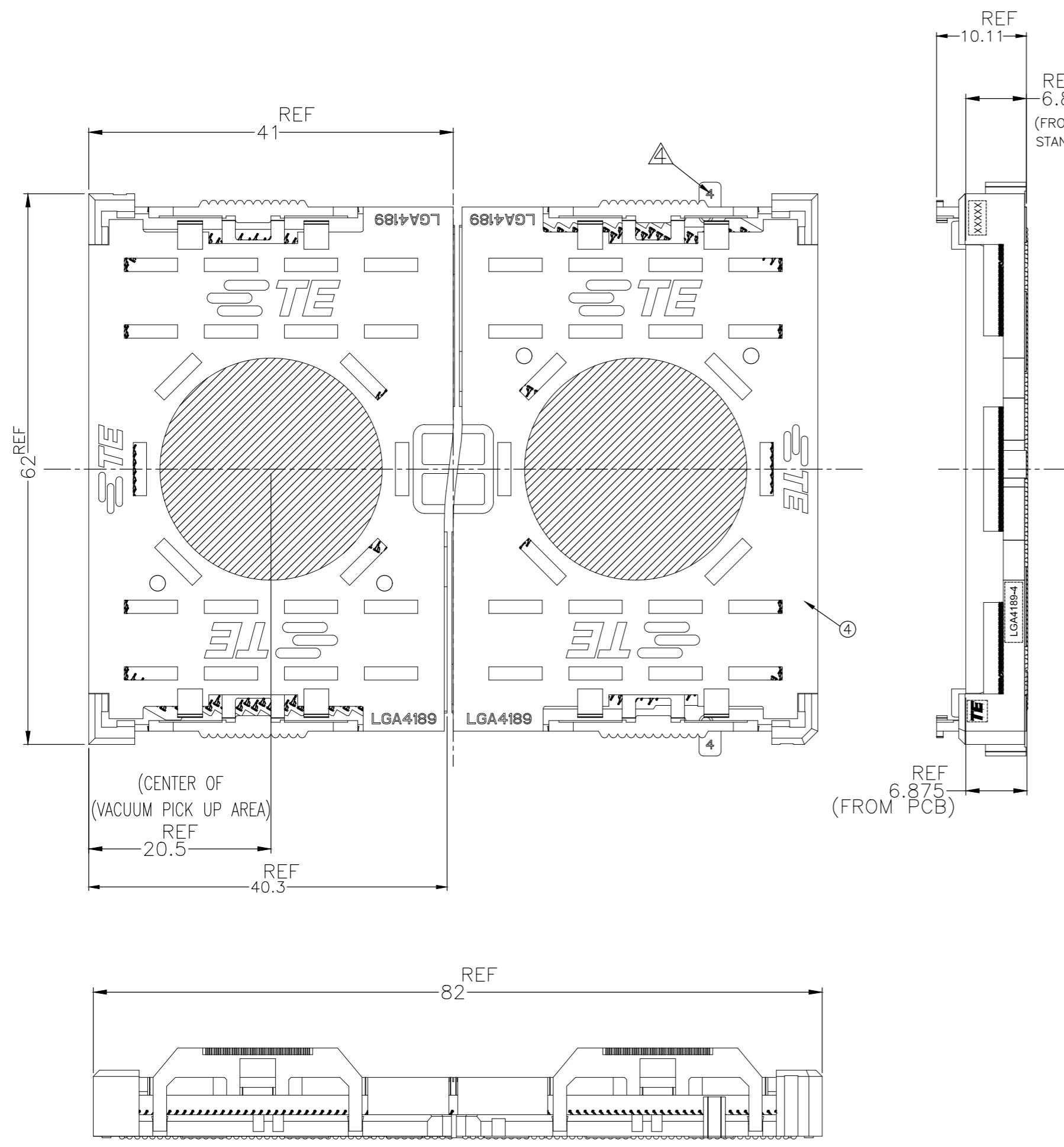


THIS DRAWING IS UNPUBLISHED. RELEASED FOR PUBLICATION
 © COPYRIGHT - Tyco Electronics JAPAN G.K. ALL RIGHTS RESERVED.

LOC	DIST	REVISIONS					
		P	LTR	DESCRIPTION	DATE	DWN	APVD
ES	-	8		ADD GATE LOCATION	23Jun2019	B.L	S.L

1. MATERIAL
- ① HOUSING : HIGH TEMP, THERMO-PLASTIC, UL94V-0, BLACK
 - ② CONTACT : COPPER ALLOY
FINISH : Au PL. SHOW AS Δ AT CONTACT AREA
ON OVERALL OVER Ni UNDER PL. 0.00127 MIN.
 - ③ SOLDER BALL : Sn/Ag/Cu
 - ④ CAP : HIGH TEMP. THERMO-PLASTIC, UL94V-0, NATURAL
- Δ INDICATED DATE CODE , TYCO LOGO, PRODUCT NAME ON THE HSG
 Δ FOR NORMAL ORDER, LEFT AND RIGHT SEGMENT SHOULD ORDER AT SAME TIME
 Δ THE NUMBER INDICATED SOCKET NAME, "4" FOR SOCKET P4, "5" FOR SOCKET P5.
 Δ THE PAD SIZE IS FOR REFERENCE, CUSTOMER CAN FOLLOW INTEL INSTRUCTION TO DESIGN
 Δ THESE DIMENSIONS FOR BACK PLATE SCREW HOLE.



THIS PRINT IS
PRELIMINARY
 UNQUALIFIED PRODUCT
 CONTACT PRODUCT ENGINEERING
 BEFORE USING THIS PRINT

FOR DGO.7

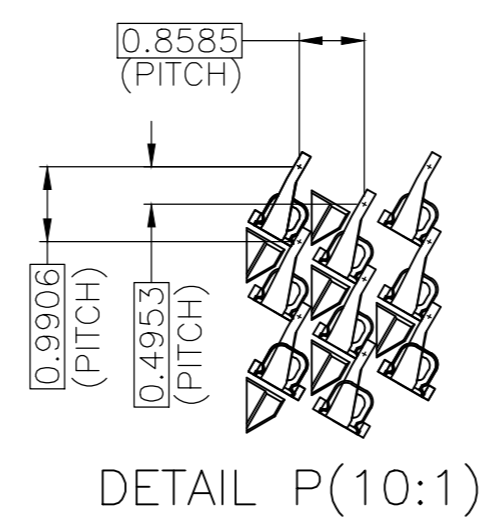
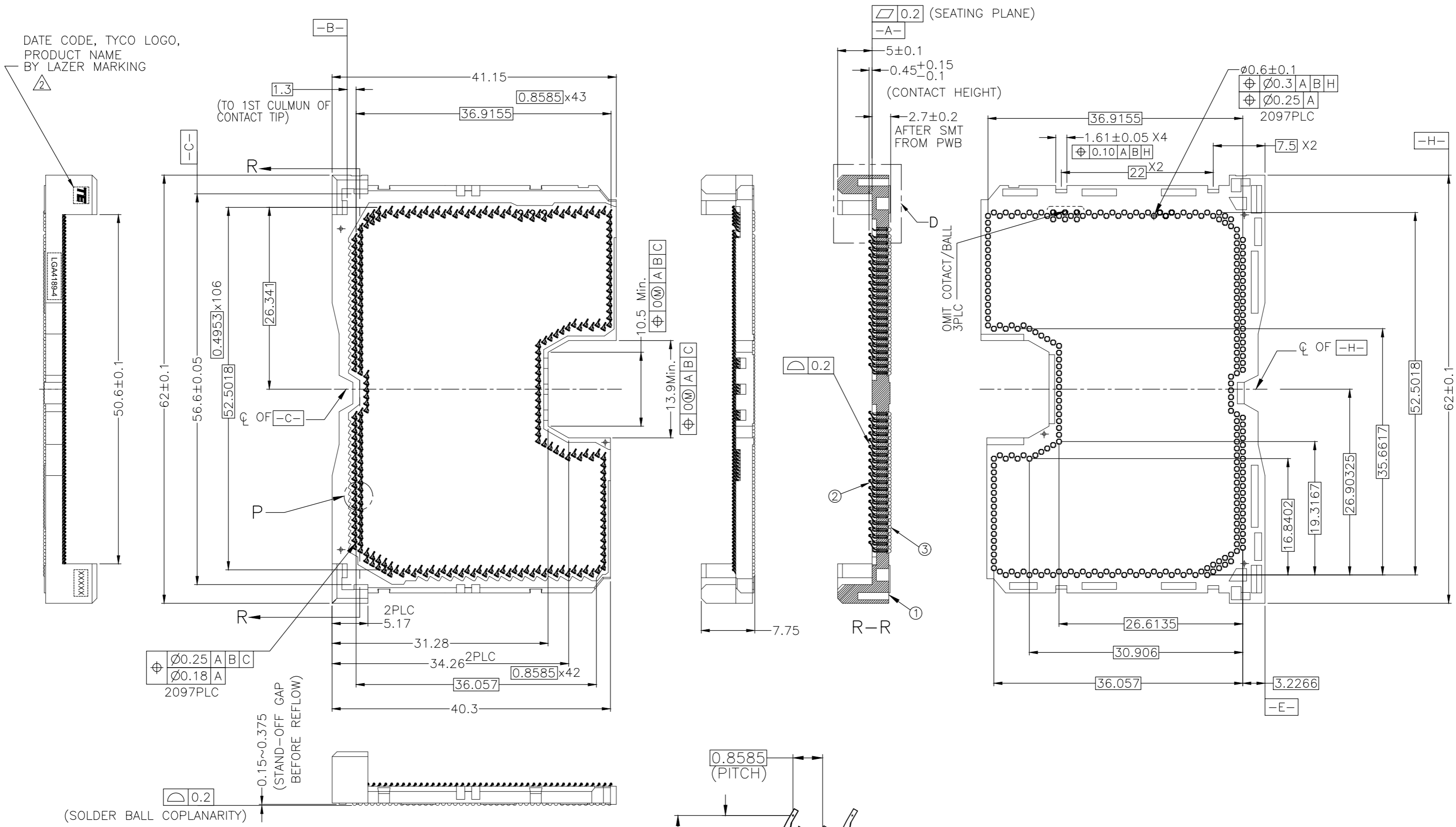
	30u" AU PLATING		15u" AU PLATING		DESCRIPTION
	LGA4189-4 SOCKET P4	LGA4189-5 SOCKET P5	LGA4189-4 SOCKET P4	LGA4189-5 SOCKET P5	
LGA4189-4 RIGHT SEGMENT	LGA4189-4 LEFT SEGMENT	LGA4189-5 RIGHT SEGMENT	LGA4189-5 LEFT SEGMENT		
2323614-1	1-2323614-1	2323614-3	1-2323614-1	2323614-2	1-2324271-1
					1-2324271-2
					1-2324271-5
					1-2324271-6
					1-2324271-3
					1-2324271-4
					1-2324271-7
					1-2324271-8
PRODUCT WEIGHT (g/SOCKET)	QUANTITY PER UNIT				PACKAGE P/N

AFTER SMT CONDITION (WITH CAP)
 DEMONSTRATION BY SOCKET P4, LGA4189-4

THIS DRAWING IS A CONTROLLED DOCUMENT.		DWN	23Jun2019	STE TE Connectivity	
DIMENSIONS: mm		BILL LV	23Jun2019		
TOLERANCES UNLESS OTHERWISE SPECIFIED:		CHK	23Jun2019	SOCKET ASSY LGA4189-X	
0-PLC ±		BILL LV	23Jun2019		
1-PLC ± ±0.3		APVD	23Jun2019	RESTRICTED TO	
2-PLC ± ±3		NAME	SIMON LI		
3-PLC ±		PRODUCT SPEC	108-115149	SIZE	A2
4-PLC ±		APPLICATION SPEC	114-115011	CAGE CODE	00779
ANGLES ±		WEIGHT	-	DRAWING NO	C=2324271
FINISH		CUSTOMER DRAWING		SCALE	NTS
				SHEET	1 of 7
				REV	8

THIS DRAWING IS UNPUBLISHED. RELEASED FOR PUBLICATION
 © COPYRIGHT - Tyco Electronics JAPAN G.K. ALL RIGHTS RESERVED.

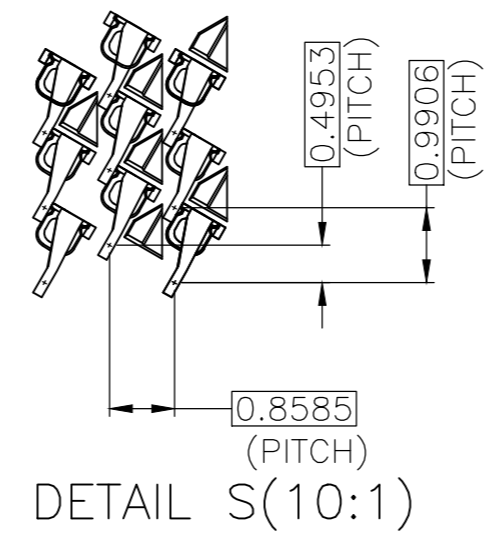
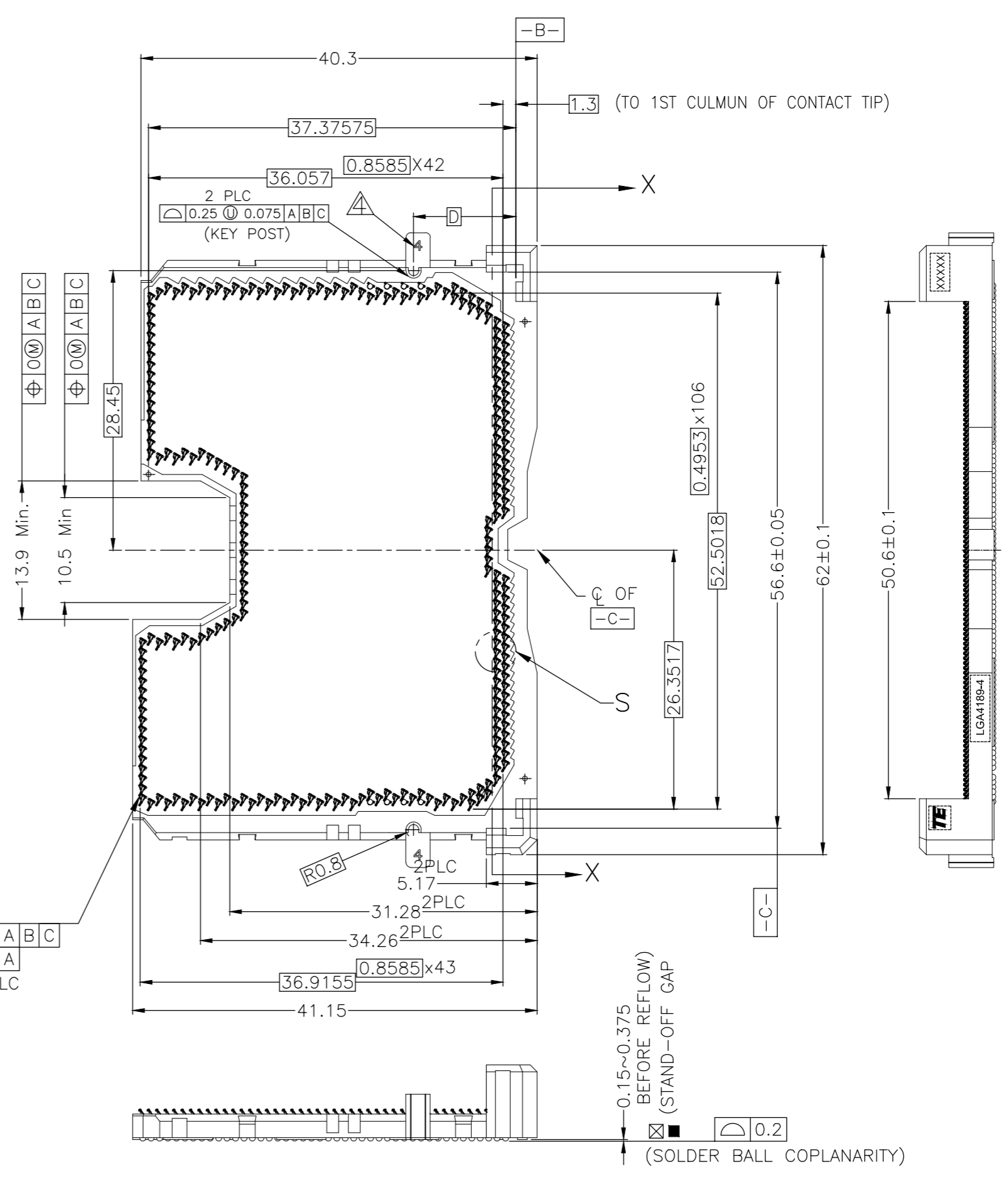
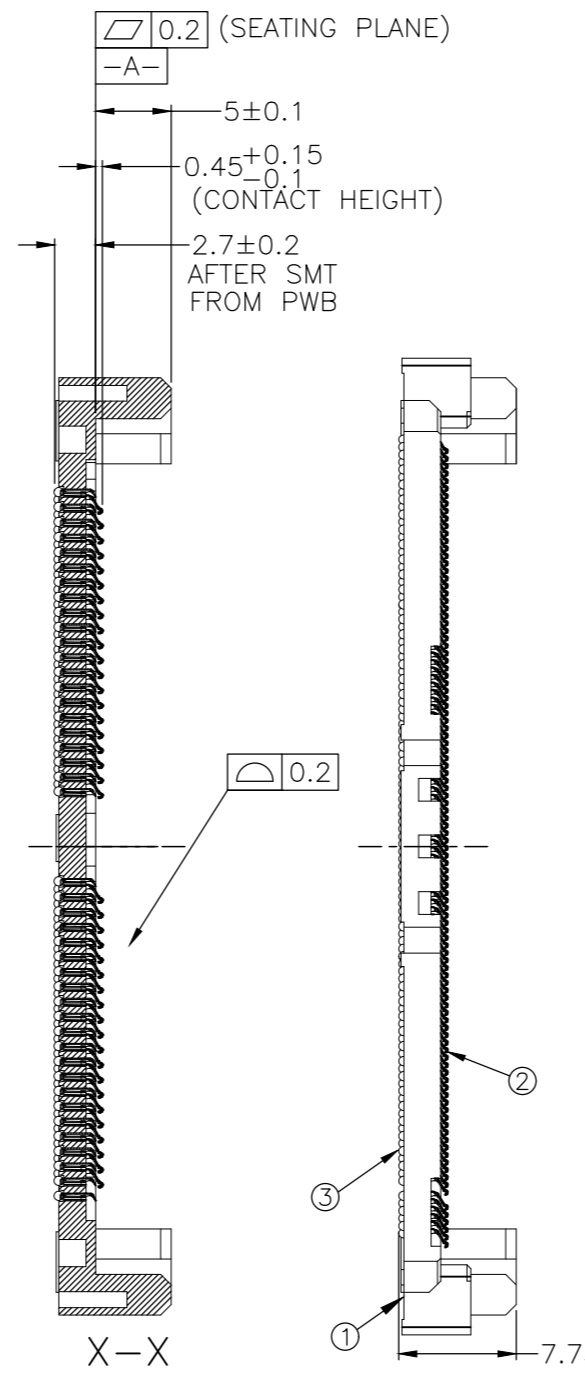
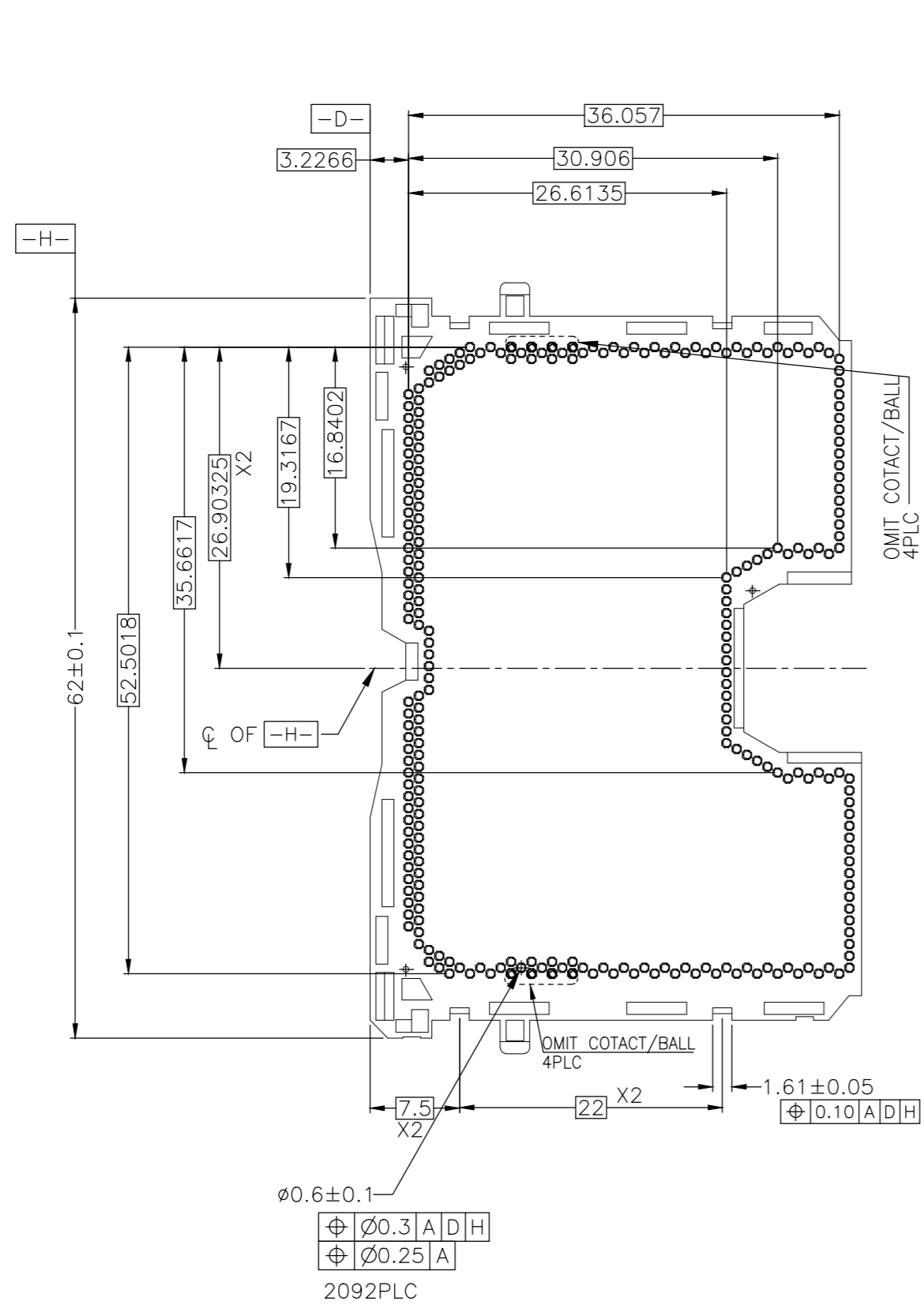
LOC		DIST		REVISIONS			
P	LTR	DESCRIPTION	DATE	DWN	APVD		
-	-	SEE SHEET 1	-	-	-		



THESE VIEW DON'T SHOW CAP BEFORE SMT CONDITION
 LGA4189-4 LEFT SIDE ASSY
 1-2323614-* AS SHOWN

THIS DRAWING IS A CONTROLLED DOCUMENT.		DWN	TE Connectivity	
DIMENSIONS: mm		CHK	NAME	
TOLERANCES UNLESS OTHERWISE SPECIFIED:		APVD	SOCKET ASSY LGA4189-X	
0-PLC ±		PRODUCT SPEC	SIZE	CAGE CODE
1-PLC ±		APPLICATION SPEC	A2	00779
2-PLC ±		WEIGHT	DRAWING NO	RESTRICTED TO
3-PLC ±			C=2324271	-
4-PLC ±		CUSTOMER DRAWING	SCALE	SHEET
ANGLES ±			NTS	2 OF 7
FINISH				REV
				8

LOC	DIST	REVISIONS					
		P	LTR	DESCRIPTION	DATE	DWN	APVD
ES	-	-	-	SEE SHEET 1	-	-	-



THESE VIEW DON'T SHOW CAP BEFORE SMT CONDITION LGA4189-4 RIGHT SIDE ASSY 2323614-* AS SHOWN

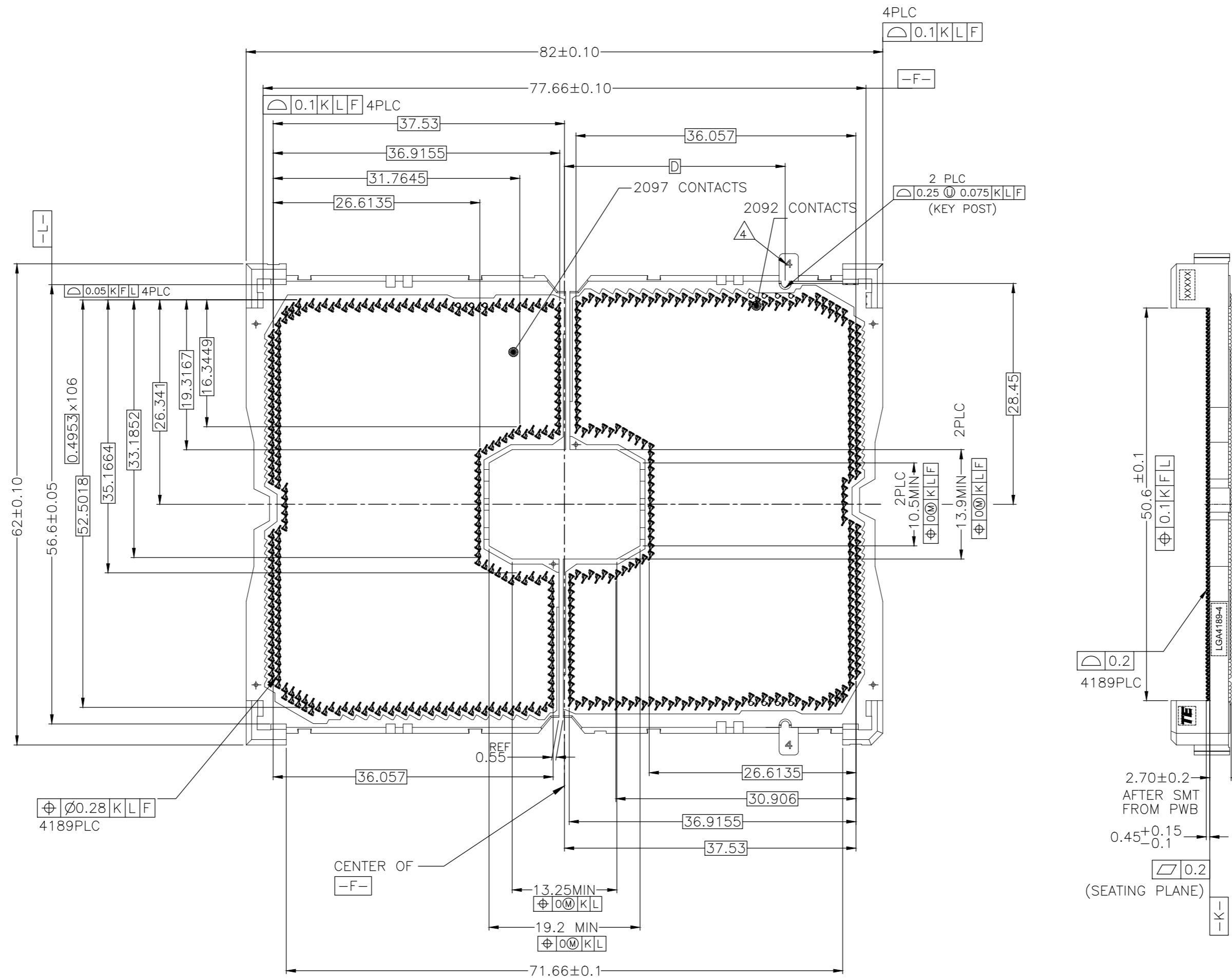
TABLE FOR P4/P5 KEY LOCATION

LGA4189 SOCKET P5(RIGHT SEGMENT)	13.415
LGA4189 SOCKET P4(RIGHT SEGMENT)	10.415
DESCRIPTION	DIM D

THIS DRAWING IS A CONTROLLED DOCUMENT.

DIMENSIONS: mm	TOLERANCES UNLESS OTHERWISE SPECIFIED:	DWN	TE Connectivity
	0-PLC ±	CHK	SOCKET ASSY LGA4189-X
	1-PLC ±	APVD	
	2-PLC ±	PRODUCT SPEC	
	3-PLC ±	APPLICATION SPEC	
MATERIAL	FINISH	WEIGHT	RESTRICTED TO
			SIZE CAGE CODE DRAWING NO
			A2 00779 C=2324271
		CUSTOMER DRAWING	SCALE NTS SHEET 3 OF 7 REV 8

LOC		DIST		REVISIONS			
P	LTR	DESCRIPTION	DATE	DWN	APVD		
-	-	SEE SHEET 1	-	-	-		



AFTER SMT CONDITION (WITHOUT CAP)

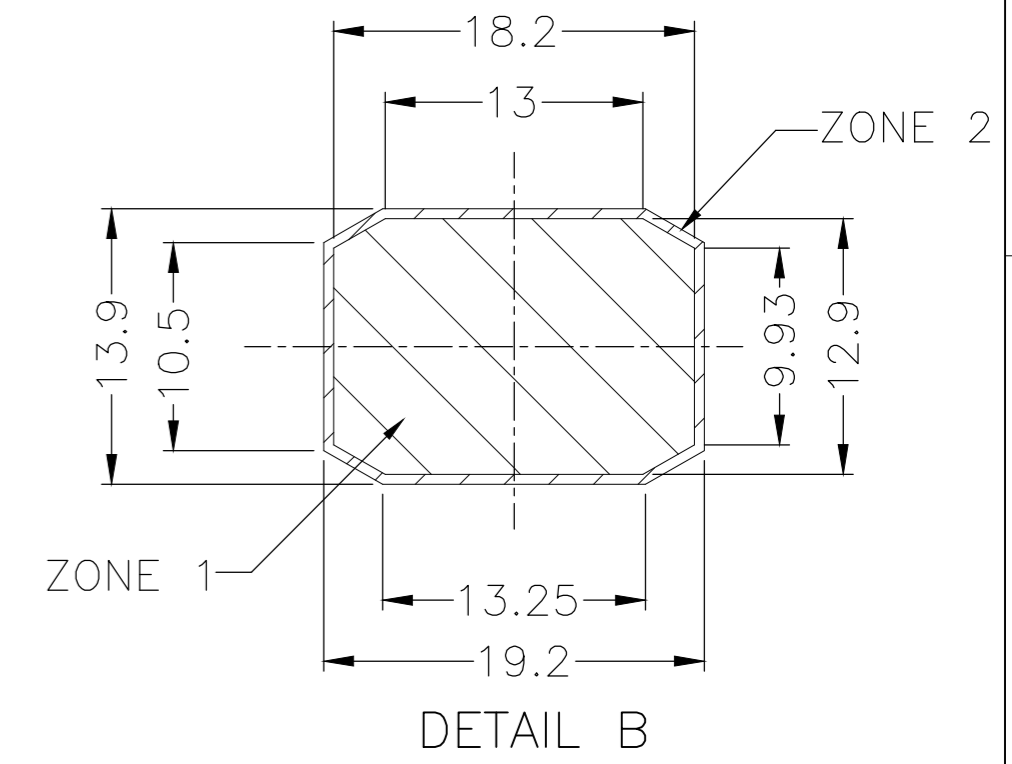
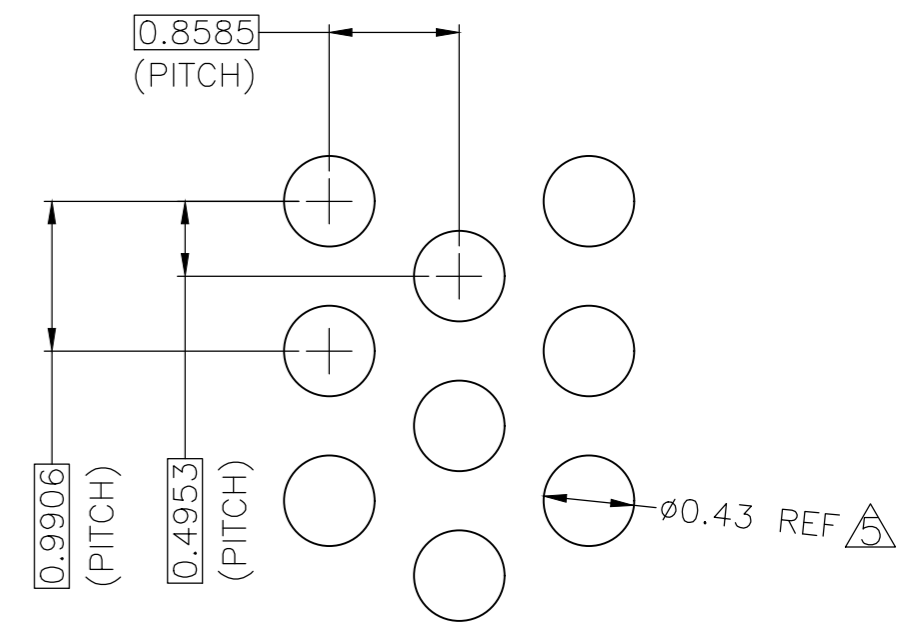
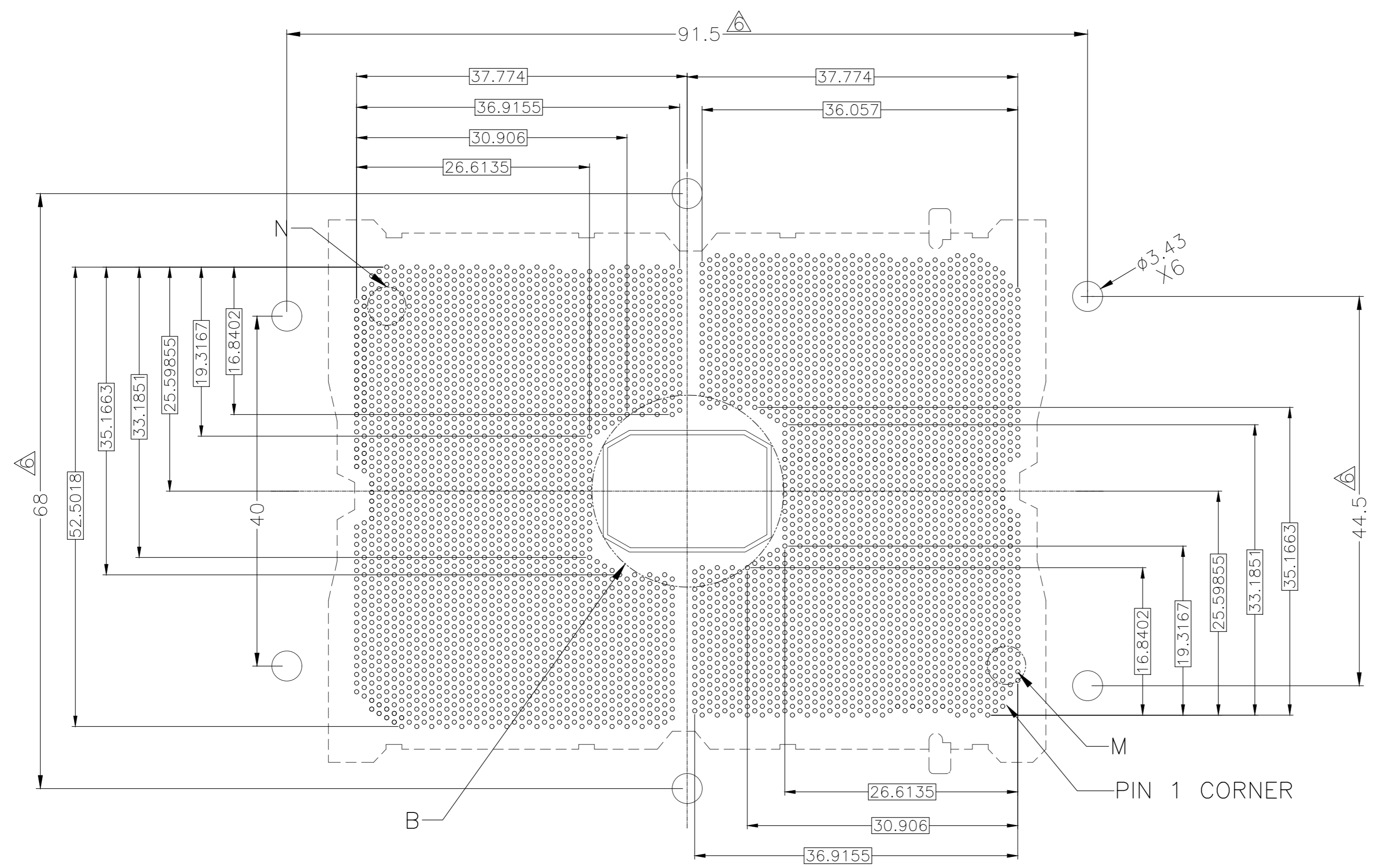
TABLE FOR P4/P5 KEY LOCATION

LGA4189 SOCKET P5(RIGHT SEGMENT)	25.415
LGA4189 SOCKET P4(RIGHT SEGMENT)	28.415
DESCRIPTION	DIM D

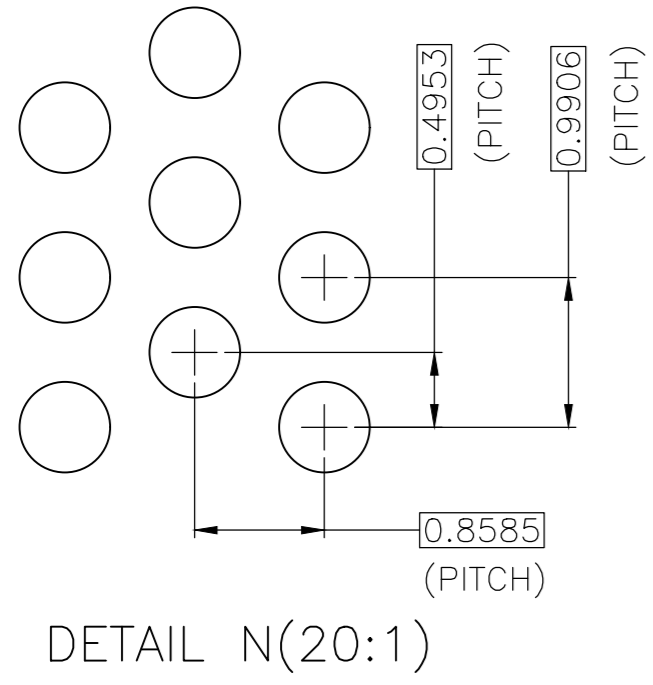
THIS DRAWING IS A CONTROLLED DOCUMENT.		DWN	TE Connectivity		
DIMENSIONS: mm		CHK	NAME		
TOLERANCES UNLESS OTHERWISE SPECIFIED:		APVD	SOCKET ASSY LGA2324271-X		
0-PLC ±		PRODUCT SPEC	SIZE	CAGE CODE	DRAWING NO
1-PLC ± ±0.3		APPLICATION SPEC	A2	00779	C=2324271
2-PLC ± ±0.3		WEIGHT	RESTRICTED TO		
3-PLC ± ±0.3		FINISH	CUSTOMER DRAWING		
4-PLC ± ±0.3		SCALE	NTS	SHEET	4 OF 7
ANGLES ±		REV	8		

THIS DRAWING IS UNPUBLISHED. RELEASED FOR PUBLICATION
 © COPYRIGHT - Tyco Electronics JAPAN G.K. ALL RIGHTS RESERVED.

LOC	DIST	REVISIONS					
ES	-	P	LTR	DESCRIPTION	DATE	DWN	APVD
		-	-	SEE SHEET 1	-	-	-



PCB BALL LAYOUT REFERENCE



KOZ LEGEND FOR REFERENCE:

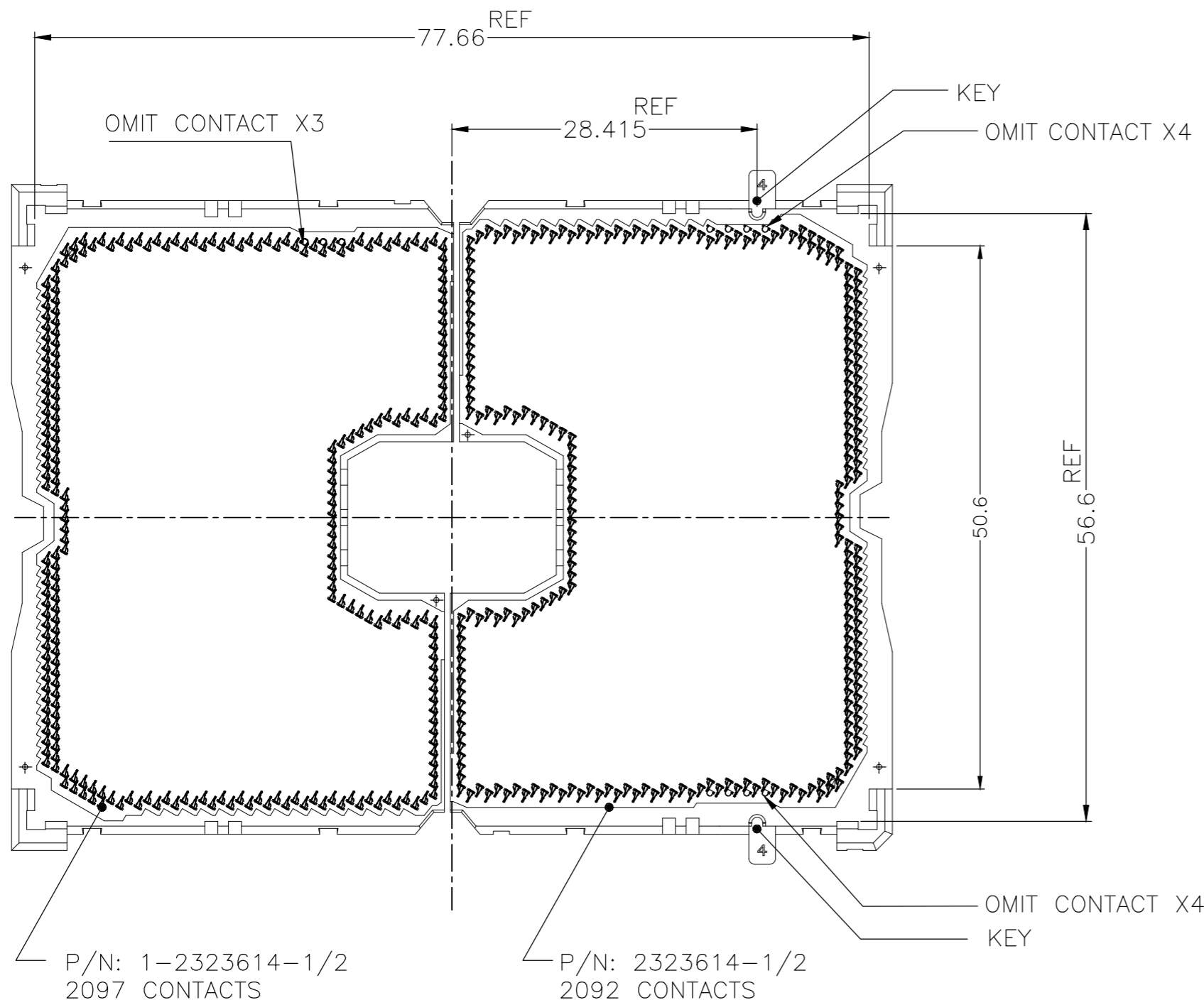
	ZONE 2: SOCKET CAVITY TO SOCKET ZONE. NO COMPONENT PLACEMENT ALLOWED 0.0mm HEIGHT RESTRICTION.
	ZONE 1: SOCKET CAVITY 1.222mm HEIGHT RESTRICTION.

THIS DRAWING IS A CONTROLLED DOCUMENT.		DWN	-	TE Connectivity	
DIMENSIONS: mm		CHK	-	SOCKET ASSY LGA4189-X	
TOLERANCES UNLESS OTHERWISE SPECIFIED:		APVD	-	SIZE	A2
0-PLC	± 0.3	PRODUCT SPEC	-	CAGE CODE	00779
1-PLC	± 0.3	APPLICATION SPEC	-	DRAWING NO	C=2324271
2-PLC	± 0.3	WEIGHT	-	RESTRICTED TO	-
3-PLC	± 0.3	CUSTOMER DRAWING	-	SCALE	NTS
4-PLC	± 0.3			SHEET	5 of 7
ANGLES	± 0.3			REV	8
FINISH	-				

THIS DRAWING IS UNPUBLISHED. RELEASED FOR PUBLICATION
 © COPYRIGHT - Tyco Electronics JAPAN G.K. ALL RIGHTS RESERVED.

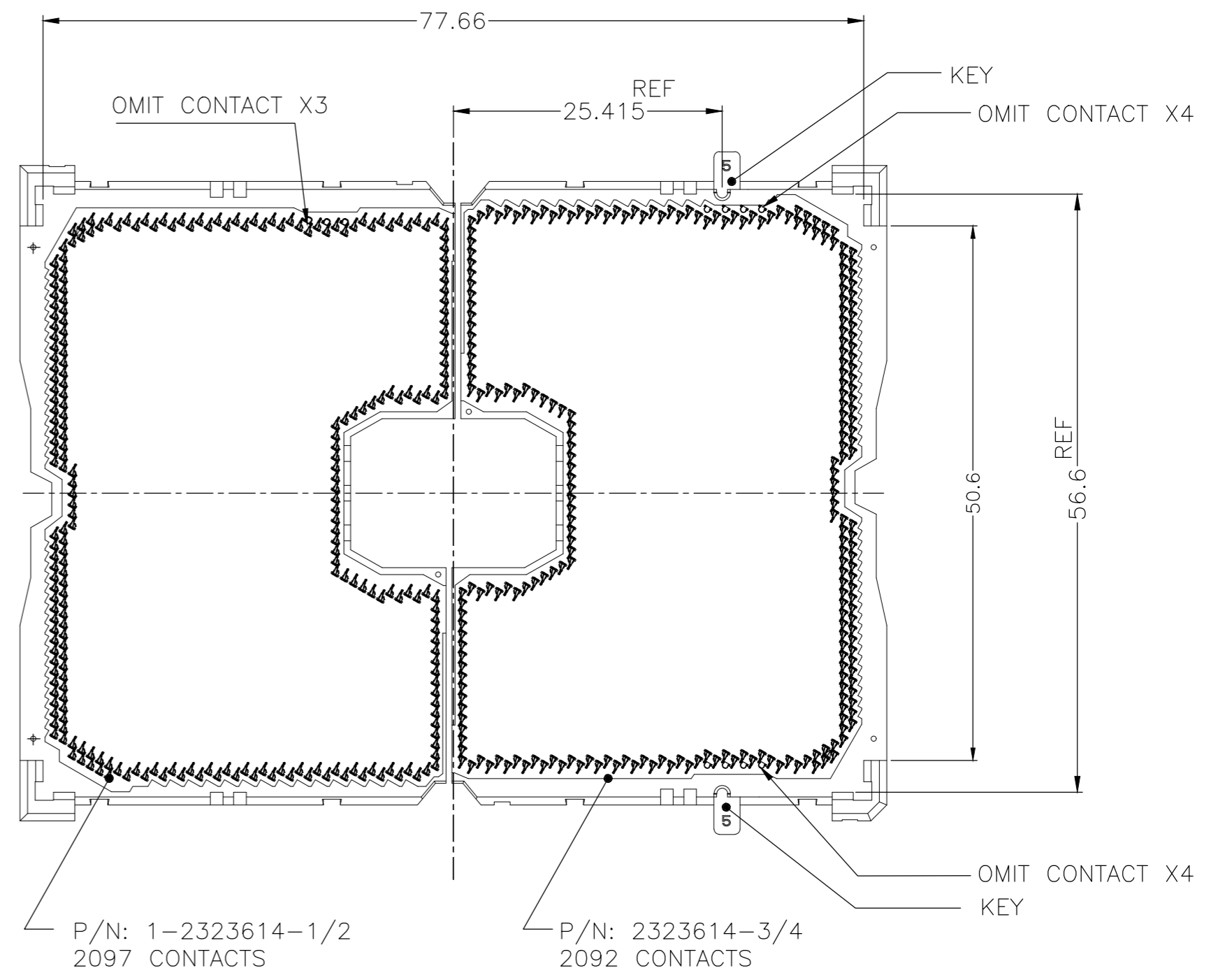
LOC	DIST	REVISIONS					
		P	LTR	DESCRIPTION	DATE	DWN	APVD
ES	-	-	-	SEE SHEET 1	-	-	-

SOCKET P4,LGA4189-4 AS SHOWN



LGA4189-4 AS SHOWN
 AFTER SMT CONDITION (WITHOUT CAP)

SOCKET P5,LGA4189-5 AS SHOWN



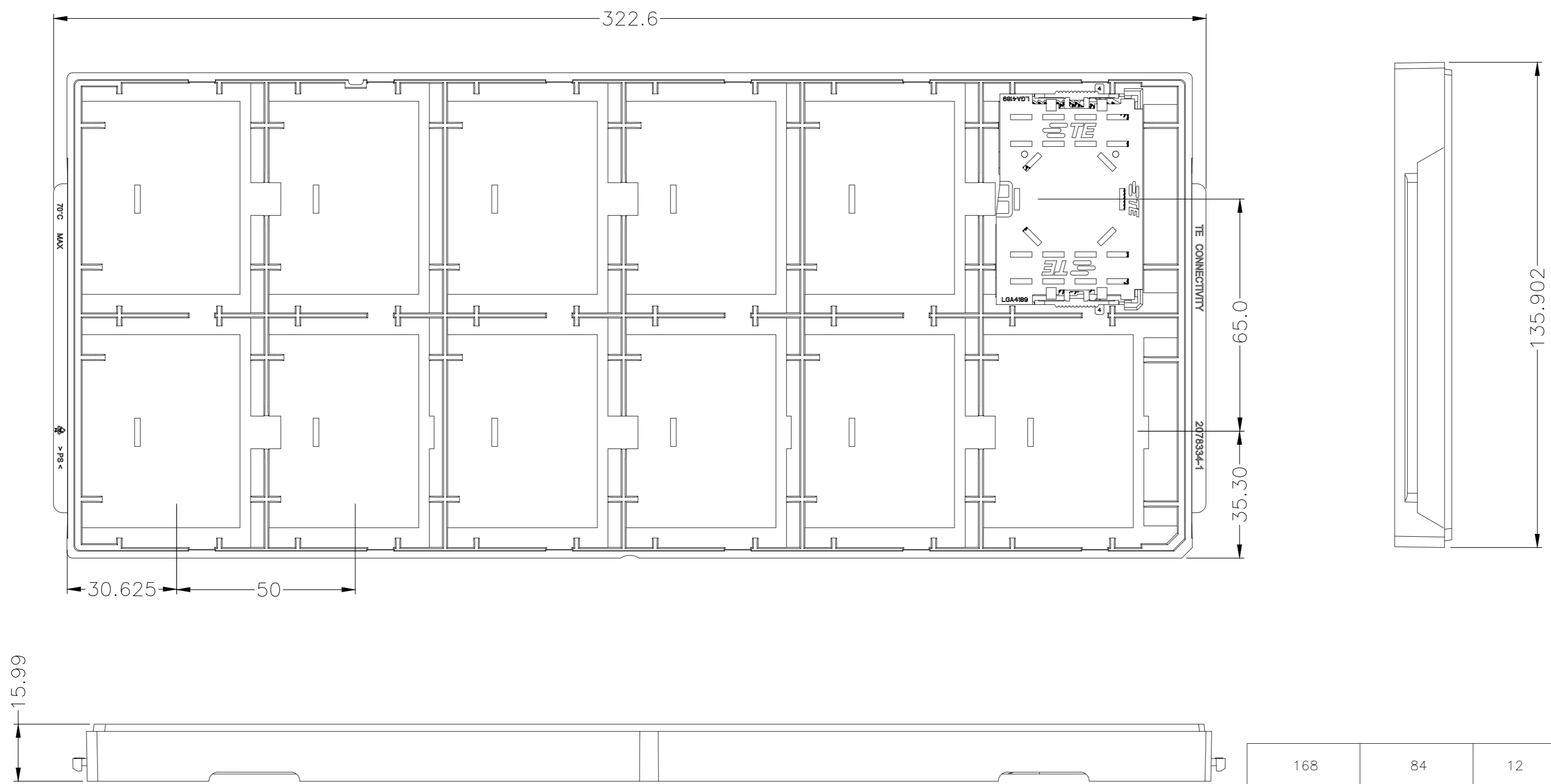
LGA4189-5 AS SHOWN
 AFTER SMT CONDITION (WITHOUT CAP)

LGA4189-X POST SMT CONDITION
 (PCB IS NOT SHOWN)

THIS DRAWING IS A CONTROLLED DOCUMENT.		DWN	TE Connectivity	
DIMENSIONS: mm		CHK	NAME	
TOLERANCES UNLESS OTHERWISE SPECIFIED:		APVD	SOCKET ASSY LGA4189-X	
0-PLC ±		PRODUCT SPEC	SIZE	CAGE CODE
1-PLC ± ±0.3		APPLICATION SPEC	A2	00779
2-PLC ± ±3		WEIGHT	DRAWING NO. C=2324271	
3-PLC ±		CUSTOMER DRAWING	SCALE	SHEET
4-PLC ±			NTS	6 of 7
ANGLES ±				REV 8
FINISH				

THIS DRAWING IS UNPUBLISHED. RELEASED FOR PUBLICATION
 © COPYRIGHT - Tyco Electronics JAPAN G.K. ALL RIGHTS RESERVED.

LOC	DIST	REVISIONS					
ES	-	P	LTR	DESCRIPTION	DATE	DWN	APVD
		-	-	SEE SHEET 1	-	-	-



FOR LEFT SEGMENT,USE BLACK TRAY TO PACKAGE.
 FOR RIGHT SEGMENT,USE BLUE TRAY TO PACKAGE.

SOCKET P4/5 HARD TRAY

168	84	12	2323614-4	1-2324271-7	LGA4189-5 RIGHT SEGMENT	LGA4189-5 SOCKET P5
168	84	12	1-2323614-2	1-2324271-8	LGA4189-5 LFFT SEGMENT	
168	84	12	2323614-3	1-2324271-5	LGA4189-5 RIGHT SEGMENT	
168	84	12	1-2323614-1	1-2324271-6	LGA4189-5 LFFT SEGMENT	
168	84	12	2323614-2	1-2324271-3	LGA4189-4 RIGHT SEGMENT	LGA4189-4 SOCKET P4
168	84	12	1-2323614-2	1-2324271-4	LGA4189-4 LFFT SEGMENT	
168	84	12	2323614-1	1-2324271-1	LGA4189-4 RIGHT SEGMENT	
168	84	12	1-2323614-1	1-2324271-2	LGA4189-4 LFFT SEGMENT	
SOCKET QTY PER OUTER BOX	SOCKET QTY PER INNER BOX	SOCKET QTY PER TRAY	ASSY PART NUMBER	ORDER PART NUMBER	PRODUCT NAME	

THIS DRAWING IS A CONTROLLED DOCUMENT.

DWN	-		TE Connectivity			
CHK	-		NAME			
APVD	-		SOCKET ASSY LGA4189-X			
PRODUCT SPEC	-		SIZE	CAGE CODE	DRAWING NO	RESTRICTED TO
APPLICATION SPEC	-	A2	00779	C=2324271	-	
WEIGHT	-	CUSTOMER DRAWING		SCALE	SHEET	REV
				NTS	7 of 7	8

DIMENSIONS:	TOLERANCES UNLESS OTHERWISE SPECIFIED:
mm	
0-PLC	±
1-PLC	±0.5
2-PLC	±
3-PLC	±3
4-PLC	±
ANGLES	±
FINISH	-

Данный компонент на территории Российской Федерации

Вы можете приобрести в компании MosChip.

Для оперативного оформления запроса Вам необходимо перейти по данной ссылке:

<http://moschip.ru/get-element>

Вы можете разместить у нас заказ для любого Вашего проекта, будь то серийное производство или разработка единичного прибора.

В нашем ассортименте представлены ведущие мировые производители активных и пассивных электронных компонентов.

Нашей специализацией является поставка электронной компонентной базы двойного назначения, продукции таких производителей как XILINX, Intel (ex.ALTERA), Vicor, Microchip, Texas Instruments, Analog Devices, Mini-Circuits, Amphenol, Glenair.

Сотрудничество с глобальными дистрибьюторами электронных компонентов, предоставляет возможность заказывать и получать с международных складов практически любой перечень компонентов в оптимальные для Вас сроки.

На всех этапах разработки и производства наши партнеры могут получить квалифицированную поддержку опытных инженеров.

Система менеджмента качества компании отвечает требованиям в соответствии с ГОСТ Р ИСО 9001, ГОСТ РВ 0015-002 и ЭС РД 009

Офис по работе с юридическими лицами:

105318, г.Москва, ул.Щербаковская д.3, офис 1107, 1118, ДЦ «Щербаковский»

Телефон: +7 495 668-12-70 (многоканальный)

Факс: +7 495 668-12-70 (доб.304)

E-mail: info@moschip.ru

Skype отдела продаж:

moschip.ru

moschip.ru_4

moschip.ru_6

moschip.ru_9