



## USB Host Charger Identification Analog Switches

### General Description

The SLG55596A is a USB device that combines high speed USB switches with a USB host charger (dedicated charger) identification circuit. The device supports both the latest USB Battery Charging Specification Revision 1.2 including data contact detection and a set resistor bias for Apple\* compliant devices as well as legacy USB D+/D- short detection using data line pull-up.

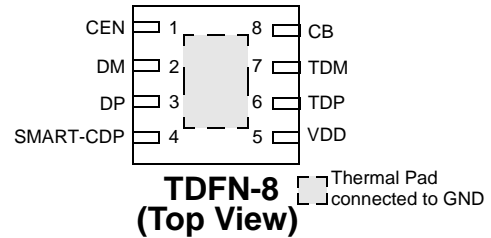
The SLG55596A can also support CDP mode (FAST charging and data communication available mode if smartphone can support CDP mode).

The SLG55596A can also support low speed / full speed mouse/keyboard wake-up from S3 mode.

### Features

- High Speed USB Switching
- Low 4.0pF (typ) On Capacitance
- Low 4.0Ω (typ) On Resistance
- Low 0.5Ω (typ) On Resistance Flatness
- 4.5V to 5.5V Supply Range
- Low Supply Current
- Automatic Current-Limit Switch Control
- Automatic USB Charger Identification Circuit
- CDP Support (active USB 2.0 data communication with 1.5A charging)
- Apple iPad\* @ 2.4A charging current support
- Automatic CDP/SDP mode support with SMART-CDP=1 for "Always Data Communication"
- Chinese Telecom Standard YD/T 1591-2009 specification support
- Samsung Galaxy Tab\*\* charge scheme support
- Pb-Free / RoHS Compliant / Halogen-Free
- TDFN-8 Package

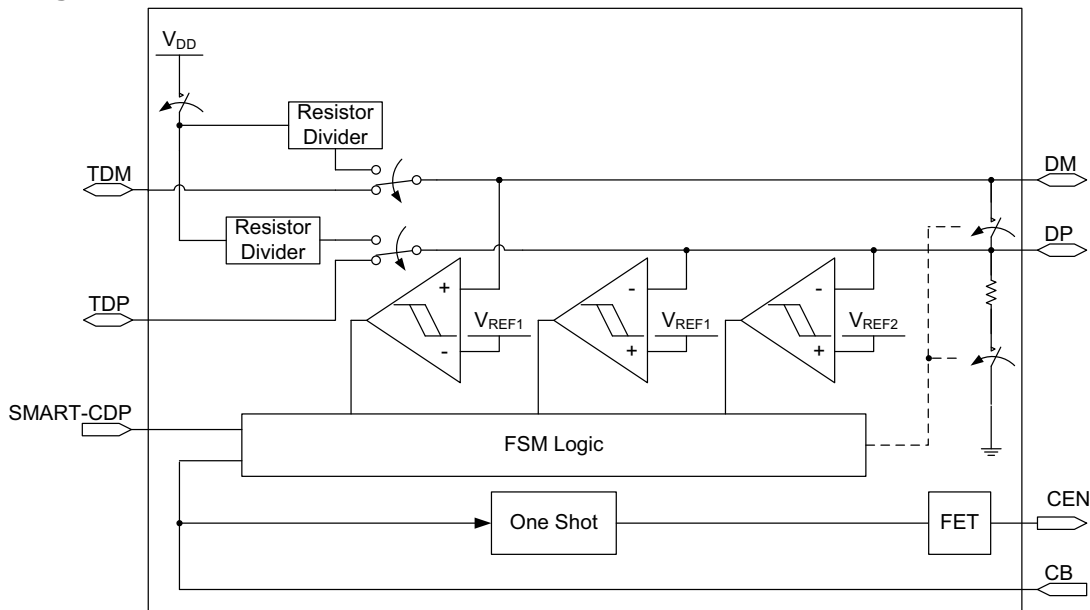
### Pin Configuration - SLG55596A



\* Apple iPhone, iPad and iPod are trademarks of Apple Inc., registered in the U.S. and other countries.

\*\* Samsung Galaxy Tab are trademarks of Samsung Electronics, registered in Korea and other countries.

### Block Diagram





## Pin Description - SLG55596A

| Pin # | Pin Name    | Type         | Pin Description                                                                                                                                                    |
|-------|-------------|--------------|--------------------------------------------------------------------------------------------------------------------------------------------------------------------|
| 1     | CEN         | Output       | N-FET Open Drain Output. Current Limit Switch (CLS) Control Output. CB changes from 0 to 1 or 1 to 0. CEN will be low for 2 seconds (typ)                          |
| 2     | DM          | Input/Output | USB Connector D-                                                                                                                                                   |
| 3     | DP          | Input/Output | USB Connector D+                                                                                                                                                   |
| 4     | SMART-CDP   | Input        | Input Control logic (see truth table)                                                                                                                              |
| 5     | VDD         | PWR          | Power Supply. Connect a 0.1 $\mu$ F capacitor between VDD and GND as close as possible to the device.                                                              |
| 6     | TDP         | Input/Output | Host USB Transceiver D+ Connection                                                                                                                                 |
| 7     | TDM         | Input/Output | Host USB Transceiver D- Connection                                                                                                                                 |
| 8     | CB          | Input        | Switch Control Bit<br>0 = autodetection charger identification active<br>1 = charging downstream port with active USB2.0 data communication mode with 1.5A support |
| 9     | Thermal Pad | GND          | Ground                                                                                                                                                             |

## Truth Table

| CB | SMART-CDP | Function                                                                                                                                                                                                                        |
|----|-----------|---------------------------------------------------------------------------------------------------------------------------------------------------------------------------------------------------------------------------------|
| 0  | 0 or 1    | DCP autodetect with mouse/keyboard wakeup (Pin 4 = 0 or 1)                                                                                                                                                                      |
| 1  | 0         | S0 charging with SDP only                                                                                                                                                                                                       |
| 1  | 1         | S0 charging with CDP or SDP only (depending on external device)<br>And, when Non-CDP phone is plugged in, the CDP mode will be changed automatically to SDP mode during handshaking protocol for supporting data communication. |

## Ordering Information

| Part Number  | Type                   |
|--------------|------------------------|
| SLG55596AV   | TDFN-8                 |
| SLG55596AVTR | TDFN-8 - Tape and Reel |



## Absolute Maximum Ratings

| Parameter                            | Min. | Max. | Unit |
|--------------------------------------|------|------|------|
| Supply Voltage                       | -0.3 | 6.0  | V    |
| Continuous Current into any terminal | -30  | +30  | mA   |
| Continuous Power Dissipation         | --   | 954  | mW   |
| Operating Temperature Range          | -40  | 85   | °C   |
| Junction Temperature                 |      | 150  | °C   |
| Storage Temperature Range            | -65  | 150  | °C   |
| Lead Temperature (Soldering, 10s)    |      | 260  | °C   |

Note: Stresses greater than those listed under "Absolute Maximum Ratings" may cause permanent damage to the device. This is a stress rating only and functional operation of the device at these or any other conditions above those indicated in the operational sections of this specification is not implied. Exposure to absolute maximum rating conditions for extended periods may affect reliability.

## Electrical Characteristics - Power Supply

V<sub>DD</sub> = 4.5V to 5.5V, T<sub>A</sub> = 25°C (unless specified otherwise)

| Parameter       | Description                            | Condition/Note                                   | Min. | Typ. | Max. | Unit |
|-----------------|----------------------------------------|--------------------------------------------------|------|------|------|------|
| V <sub>DD</sub> | Power Supply Range                     | V <sub>CB</sub> > V <sub>IH</sub>                | 4.5  | 5.0  | 5.5  | V    |
|                 |                                        | V <sub>CB</sub> = 0V                             | 4.75 | --   | 5.25 | V    |
| I <sub>DD</sub> | Supply Current<br>V <sub>DD</sub> = 5V | CB = LOW, SMART-CDP = X (autodetect with wakeup) | --   | 140  | 160  | μA   |
|                 |                                        | CB = HIGH, SMART-CDP = LOW (SDP)                 | --   | 20   | 30   | μA   |
|                 |                                        | CB = HIGH, SMART-CDP = HIGH (CDP)                | --   | 30   | 50   | μA   |

## Electrical Characteristics - Analog Switch

V<sub>DD</sub> = 4.5V to 5.5V, T<sub>A</sub> = 25°C (unless specified otherwise)

| Parameter                                    | Description                                         | Condition/Note                                                                                                                                           | Min. | Typ. | Max.            | Unit |
|----------------------------------------------|-----------------------------------------------------|----------------------------------------------------------------------------------------------------------------------------------------------------------|------|------|-----------------|------|
| V <sub>DP</sub> , V <sub>DM</sub>            | Analog signal Range                                 |                                                                                                                                                          | 0    | --   | V <sub>DD</sub> | V    |
| R <sub>ON</sub>                              | On Resistance TDP/TDM Switch                        | V <sub>DD</sub> = -0.4V to 0.4V, I = 10mA                                                                                                                | --   | 3.5  | --              | Ω    |
|                                              |                                                     | V <sub>DP</sub> = V <sub>DM</sub> = 0V to 3.3V<br>V <sub>DD</sub> = 5V                                                                                   | --   | 4.0  | 7               | Ω    |
| ΔR <sub>ON</sub>                             | On Resistance Match between channels TDP/TDM Switch | V <sub>DD</sub> = 5.0V<br>V <sub>DP</sub> = V <sub>DM</sub> = 400mV<br>I <sub>DP</sub> = I <sub>DM</sub> = 10mA                                          | --   | 0.1  | --              | Ω    |
| R <sub>FLAT</sub>                            | On Resistance flatness TDP/TDM Switch               | V <sub>DD</sub> = 5.0V<br>V <sub>DP</sub> = V <sub>DM</sub> = 0V to V <sub>DD</sub><br>I <sub>DP</sub> = I <sub>DM</sub> = 10mA                          | --   | 0.5  | --              | Ω    |
| R <sub>SHORT</sub>                           | On Resistance of TDP/TDM Short                      | V <sub>CB</sub> = 0V<br>V <sub>DP</sub> = 1V<br>I <sub>DP</sub> = I <sub>DM</sub> = 10mA                                                                 | --   | 50   | 70              | Ω    |
| I <sub>TDPOFF</sub> ,<br>I <sub>TDMOFF</sub> | Off-Leakage Current                                 | V <sub>DD</sub> = 3.6V<br>V <sub>DP</sub> = V <sub>DM</sub> = 0.3V to 3.3V<br>V <sub>TDP</sub> = V <sub>TDM</sub> = 3.3V to 0.3V<br>V <sub>CB</sub> = 0V | -250 | --   | 250             | nA   |
| I <sub>DPON</sub> ,<br>I <sub>DMON</sub>     | Off-Leakage Current                                 | V <sub>DD</sub> = 3.6V<br>V <sub>DP</sub> = V <sub>DM</sub> = 3.3V to 0.3V<br>V <sub>CB</sub> = V <sub>DD</sub>                                          | -250 | --   | 250             | nA   |



## Electrical Characteristics - Dynamic Performance

$V_{DD} = 4.5V$  to  $5.5V$ ,  $T_A = 25^\circ C$  (unless specified otherwise)

| Parameter          | Description                      | Condition/Note                                                                 | Min. | Typ. | Max. | Unit    |
|--------------------|----------------------------------|--------------------------------------------------------------------------------|------|------|------|---------|
| $T_{ON}$           | Turn On Time                     | $V_{TDP}$ or $V_{TDM} = 1.5V$<br>$R_L = 300\Omega$<br>$C_L = 35pF$             | --'  | 20   | 100  | $\mu s$ |
| $T_{OFF}$          | Turn Off Time                    | $V_{TDP}$ or $V_{TDM} = 1.5V$<br>$R_L = 300\Omega$<br>$C_L = 35pF$             | --'  | 1    | 5    | $\mu s$ |
| $T_{PLH}, T_{PHL}$ | TDP/TDM Switch Propagation Delay | $R_L = R_S = 50\Omega$                                                         | --   | 60   | --   | ps      |
| $T_{SKEW}$         | Output Skew                      | Skew between DP and DM when connected to TDP and TDM<br>$R_L = R_S = 50\Omega$ | --   | 40   | --   | ps      |
| $C_{OFF}$          | TDP/TDM Off-Capacitance          | $f = 1MHz$                                                                     | --'  | 2.0  | --   | pF      |
| $C_{ON}$           | DP/DM On-Capacitance             | $f = 240MHz$                                                                   | --'  | 4.0  | 5.5  | pF      |
| BW                 | -3dB Bandwidth                   | $R_L = R_S = 50\Omega$                                                         | --   | 1000 | --   | MHz     |
| $V_{ISO}$          | Off-Isolation                    | $V_{TDP}, V_{DP} = 0dBm$<br>$R_L = R_S = 50\Omega$<br>$f = 250MHz$             | --   | -20  | --   | dB      |
| $V_{CT}$           | Crosstalk                        | $V_{TDP}, V_{DP} = 0dBm$<br>$R_L = R_S = 50\Omega$<br>$f = 250MHz$             | --   | -25  | --   | dB      |

## Electrical Characteristics - Internal Resistors

$V_{DD} = 4.5V$  to  $5.5V$ ,  $T_A = 25^\circ C$  (unless specified otherwise)

| Parameter | Description           | Condition/Note | Min.   | Typ.  | Max.   | Unit      |
|-----------|-----------------------|----------------|--------|-------|--------|-----------|
| $R_{PD}$  | DP/DM Short Pull-down |                | 350    | 500   | 700    | $k\Omega$ |
| $RT_{RP}$ | RP1/RP2 Ratio         |                | 0.8544 | 0.863 | 0.872  | Ratio     |
| $R_{RP}$  | RP1 + RP2 Resistance  |                | 69.75  | 93.0  | 115.18 | $k\Omega$ |
| $RT_{RM}$ | RM1/RM2 Ratio         |                | 0.8544 | 0.863 | 0.872  | Ratio     |
| $R_{RM}$  | RM1 + RM2 Resistance  |                | 69.75  | 93.0  | 115.18 | $k\Omega$ |

## Electrical Characteristics - Logic Input CB

$V_{DD} = 4.5V$  to  $5.5V$ ,  $T_A = 25^\circ C$  (unless specified otherwise)

| Parameter | Description              | Condition/Note                                                                     | Min. | Typ. | Max. | Unit    |
|-----------|--------------------------|------------------------------------------------------------------------------------|------|------|------|---------|
| $V_{IH}$  | CB Input Logic High      |                                                                                    | 1.4  | --   | --   | V       |
| $V_{IL}$  | CB Input Logic Low       |                                                                                    | --   | --   | 0.4  | V       |
| $I_{IN}$  | CB Input Leakage Current | $V_{DD} = 5.5V$<br>$0 \leq V_{CB} \leq V_{IL}$ or $V_{IH} \leq V_{CB} \leq V_{DD}$ | -1   | --   | 1    | $\mu A$ |



### Electrical Characteristics - Logic Input SMART-CDP

$V_{DD} = 4.5V$  to  $5.5V$ ,  $T_A = 25^\circ C$  (unless specified otherwise)

| Parameter | Description                     | Condition/Note                                                                           | Min. | Typ. | Max. | Unit    |
|-----------|---------------------------------|------------------------------------------------------------------------------------------|------|------|------|---------|
| $V_{IH}$  | SMART-CDP input Logic High      |                                                                                          | 3.0  | --   | --   | V       |
| $V_{IL}$  | SMART-CDP input Logic Low       |                                                                                          | --   | --   | 0.8  | V       |
| $I_{IN}$  | SMART-CDP Input Leakage Current | $V_{DD} = 5.5V$<br>$0V < V_{SMART-CDP} < V_{IL}$ or<br>$V_{IH} < V_{SMART-CDP} < V_{DD}$ | -1   | --   | 1    | $\mu A$ |

### Electrical Characteristics - CEN Outputs

$V_{DD} = 4.5V$  to  $5.5V$ ,  $T_A = 25^\circ C$  (unless specified otherwise)

| Parameter      | Description                  | Condition/Note                                        | Min. | Typ. | Max. | Unit    |
|----------------|------------------------------|-------------------------------------------------------|------|------|------|---------|
| $T_{VBT}$      | $V_{BUS}$ Toggle Time        | CB = Logic 0 to Logic 1 or Logic 1 to Logic 0         | 1.5  | 2.0  | 2.5  | s       |
| $V_{OL\_CEN}$  | CEN Output Logic Low Voltage | CB = Logic 0 to Logic 1<br>$I_{SINK} = 2mA$           | --   | --   | 0.4V | V       |
| $I_{OUT\_CEN}$ | CEN Output Leakage Current   | $V_{DD} = 5.5V$<br>$V_{CEN} = 5.5V$ or CEN deasserted | --   | --   | 1    | $\mu A$ |

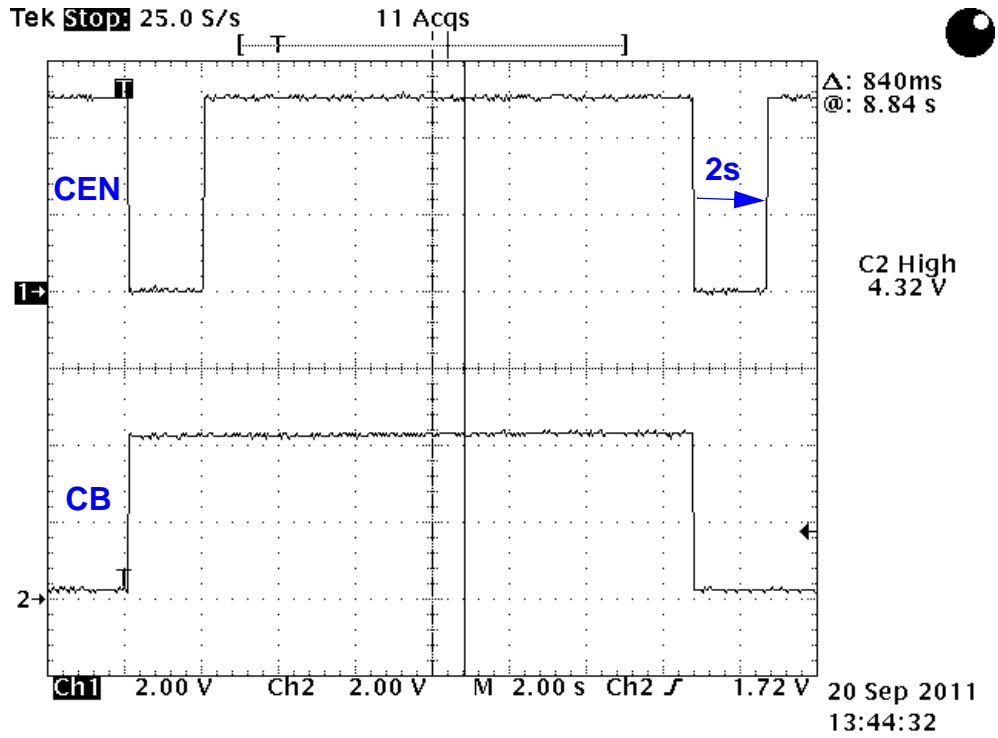
### Electrical Characteristics - ESD Protection

$V_{DD} = 4.5V$  to  $5.5V$ ,  $T_A = 25^\circ C$  (unless specified otherwise)

| Parameter | Description                           | Condition/Note   | Min. | Typ.    | Max. | Unit |
|-----------|---------------------------------------|------------------|------|---------|------|------|
| $V_{ESD}$ | ESD Protection Level (DP and DM Only) | Human Body Model | --   | $\pm 8$ | --   | kV   |
| $V_{ESD}$ | ESD Protection Level (All other pins) | Human Body Model | --   | $\pm 2$ | --   | kV   |



## CEN Function Waveform





## Package Top Marking System Definition

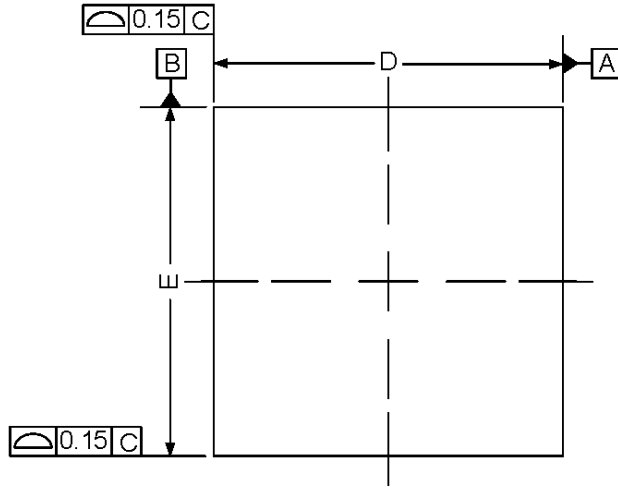


- XX – Part ID Field: identifies the specific device configuration
- A – Assembly Code Field: Assembly Location of the device.
- DD – Date Code Field: Coded date of manufacture
- L – Lot Code: Designates Lot #
- R – Revision Code: Device Revision

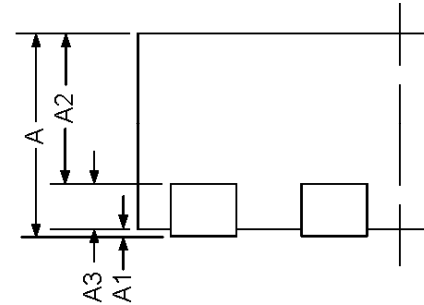
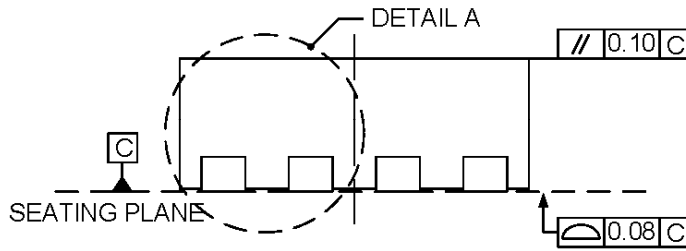


**Package Drawing and Dimensions**

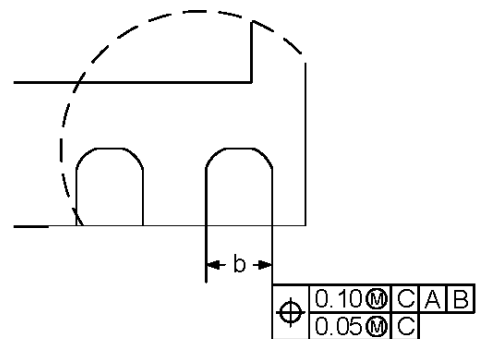
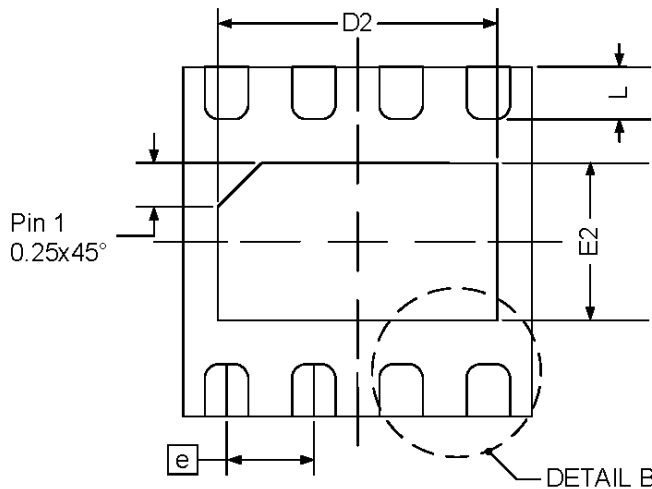
**8 Lead TDFN Package**  
**JEDEC MO-229, Variation WCCD**  
**IC Net Weight: 0.0095**



| Symbol | Min (mm) | NOM (mm) | Max (mm) |
|--------|----------|----------|----------|
| A      | 0.70     | 0.75     | 0.80     |
| A1     | 0.00     | --       | 0.05     |
| A2     | --       | 0.55     | --       |
| A3     | --       | 0.20     | --       |
| b      | 0.20     | 0.25     | 0.30     |
| D      | 1.90     | 2.00     | 2.10     |
| D2     | 1.50     | 1.60     | 1.70     |
| E      | 1.90     | 2.00     | 2.10     |
| E2     | 0.80     | 0.90     | 1.00     |
| e      | 0.50 BSC |          |          |
| L      | 0.20     | 0.30     | 0.40     |



**DETAIL A**



**DETAIL B**





**Tape and Reel Specifications**

| Package Type  | # of Pins | Nominal Package Size [mm] | Max Units |         | Reel & Hub Size [mm] | Leader (min) |             | Trailer (min) |             | Tape Width [mm] | Part Pitch [mm] |
|---------------|-----------|---------------------------|-----------|---------|----------------------|--------------|-------------|---------------|-------------|-----------------|-----------------|
|               |           |                           | per Reel  | per Box |                      | Pockets      | Length [mm] | Pockets       | Length [mm] |                 |                 |
| TDFN 8L Green | 8         | 2 x 2 x 0.75              | 3,000     | 3,000   | 178 / 60             | 100          | 400         | 100           | 400         | 8               | 4               |

**Carrier Tape Drawing and Dimensions**

| Package Type  | Pocket BTM Length | Pocket BTM Width | Pocket Depth | Index Hole Pitch | Pocket Pitch | Index Hole Diameter | Index Hole to Tape Edge | Index Hole to Pocket Center | Tape Width |
|---------------|-------------------|------------------|--------------|------------------|--------------|---------------------|-------------------------|-----------------------------|------------|
|               | A0                | B0               | K0           | P0               | P1           | D0                  | E                       | F                           | W          |
| TDFN 8L Green | 2.3               | 2.3              | 1.05         | 4                | 4            | 1.55                | 1.75                    | 3.5                         | 8          |



Refer to EIA-481 specification

**Recommended Reflow Soldering Profile**

Please see IPC/JEDEC J-STD-020: latest revision for reflow profile based on package volume of 3.00 mm<sup>3</sup> (nominal). More information can be found at [www.jedec.org](http://www.jedec.org).



### Silego Website & Support

#### Silego Technology Website

Silego Technology provides online support via our website at <http://www.silego.com/>. This website is used as a means to make files and information easily available to customers.

For more information regarding Silego Green products, please visit:

<http://greenpak.silego.com/>  
<http://greenfet.silego.com/>  
<http://greenpak2.silego.com/>  
<http://greenfet2.silego.com/>  
<http://greenclk.silego.com/>

Products are also available for purchase directly from Silego at the Silego Online Store at <http://store.silego.com/>.

#### Silego Technical Support

Datasheets and errata, application notes and example designs, user guides, and hardware support documents and the latest software releases are available at the Silego website or can be requested directly at [info@silego.com](mailto:info@silego.com).

For specific GreenPAK design or applications questions and support please send e-mail requests to [GreenPAK@silego.com](mailto:GreenPAK@silego.com)

Users of Silego products can receive assistance through several channels:

#### Online Live Support

Silego Technology has live video technical assistance and sales support available at <http://www.silego.com/>. Please ask our live web receptionist to schedule a 1 on 1 training session with one of our application engineers.

#### Contact Your Local Sales Representative

Customers can contact their local sales representative or field application engineer (FAE) for support. Local sales offices are also available to help customers. More information regarding your local representative is available at the Silego website or send a request to [info@silego.com](mailto:info@silego.com)

#### Contact Silego Directly

Silego can be contacted directly via e-mail at [info@silego.com](mailto:info@silego.com) or user submission form, located at the following URL:

<http://support.silego.com/>

#### Other Information

The latest Silego Technology press releases, listing of seminars and events, listings of world wide Silego Technology offices and representatives are all available at <http://www.silego.com/>

THIS PRODUCT HAS BEEN DESIGNED AND QUALIFIED FOR THE CONSUMER MARKET. APPLICATIONS OR USES AS CRITICAL COMPONENTS IN LIFE SUPPORT DEVICES OR SYSTEMS ARE NOT AUTHORIZED. SILEGO TECHNOLOGY DOES NOT ASSUME ANY LIABILITY ARISING OUT OF SUCH APPLICATIONS OR USES OF ITS PRODUCTS. SILEGO TECHNOLOGY RESERVES THE RIGHT TO IMPROVE PRODUCT DESIGN, FUNCTIONS AND RELIABILITY WITHOUT NOTICE.

## Данный компонент на территории Российской Федерации

### Вы можете приобрести в компании MosChip.

Для оперативного оформления запроса Вам необходимо перейти по данной ссылке:

<http://moschip.ru/get-element>

Вы можете разместить у нас заказ для любого Вашего проекта, будь то серийное производство или разработка единичного прибора.

В нашем ассортименте представлены ведущие мировые производители активных и пассивных электронных компонентов.

Нашей специализацией является поставка электронной компонентной базы двойного назначения, продукции таких производителей как XILINX, Intel (ex.ALTERA), Vicor, Microchip, Texas Instruments, Analog Devices, Mini-Circuits, Amphenol, Glenair.

Сотрудничество с глобальными дистрибьюторами электронных компонентов, предоставляет возможность заказывать и получать с международных складов практически любой перечень компонентов в оптимальные для Вас сроки.

На всех этапах разработки и производства наши партнеры могут получить квалифицированную поддержку опытных инженеров.

Система менеджмента качества компании отвечает требованиям в соответствии с ГОСТ Р ИСО 9001, ГОСТ РВ 0015-002 и ЭС РД 009

### Офис по работе с юридическими лицами:

105318, г.Москва, ул.Щербаковская д.3, офис 1107, 1118, ДЦ «Щербаковский»

Телефон: +7 495 668-12-70 (многоканальный)

Факс: +7 495 668-12-70 (доб.304)

E-mail: [info@moschip.ru](mailto:info@moschip.ru)

Skype отдела продаж:

moschip.ru

moschip.ru\_4

moschip.ru\_6

moschip.ru\_9