

Signal conditioner - MINI MCR-2-U-I4 - 2902029

Please be informed that the data shown in this PDF Document is generated from our Online Catalog. Please find the complete data in the user's documentation. Our General Terms of Use for Downloads are valid (<http://phoenixcontact.com/download>)



3-way signal conditioner with plug-in connection technology for the electrical isolation of analog signals. Input signal: 0 ... 10 V, output signal: 4 ... 20 mA, screw connection technology

The figure shows the MINI MCR-2-U-I0-PT version

Product description

Standard signal 3-way signal conditioner with plug-in connection technology for the electrical isolation, conversion, amplification, and filtering of standard signals. The measuring transducer supports fault monitoring and NFC communication.



Key commercial data

| | |
|--------------------------------------|----------|
| Packing unit | 1 pc |
| Weight per Piece (excluding packing) | 80.0 GRM |
| Custom tariff number | 85437090 |
| Country of origin | Germany |

Technical data

Note

| | |
|-------------------------|---|
| Utilization restriction | EMC: class A product, see manufacturer's declaration in the download area |
|-------------------------|---|

Dimensions

| | |
|--------|----------|
| Width | 6.2 mm |
| Height | 110.5 mm |
| Depth | 120.5 mm |

Ambient conditions

| | |
|---|------------------|
| Ambient temperature (operation) | -40 °C ... 70 °C |
| Ambient temperature (storage/transport) | -40 °C ... 85 °C |

Signal conditioner - MINI MCR-2-U-I4 - 2902029

Technical data

Ambient conditions

| | |
|----------------------|------|
| Degree of protection | IP20 |
|----------------------|------|

Input data

| | |
|-----------------------------------|--------------|
| Number of inputs | 1 |
| Configurable/programmable | no |
| Voltage input signal | 0 V ... 10 V |
| Input resistance of voltage input | approx. 1 MΩ |

Output data

| | |
|---------------------------------|--------------------|
| Number of inputs | 1 |
| Configurable/programmable | no |
| Current output signal | 4 mA ... 20 mA |
| Max. output current | 22 mA |
| Load/output load current output | ≤ 600 Ω (at 20 mA) |

Power supply

| | |
|-----------------------------|--|
| Nominal supply voltage | 24 V DC |
| Supply voltage range | 9.6 V DC ... 30 V DC (The DIN rail bus connector (ME 6,2 TBUS-2 1,5/5-ST-3,81 GN, Order No. 2869728) can be used to bridge the supply voltage. It can be snapped onto a 35 mm DIN rail according to EN 60715)) |
| Typical current consumption | 25 mA (24 V DC) |
| | 54 mA (12 V DC) |
| Power consumption | ≤ 800 mW (at 9.6 V DC) |

Connection data

| | |
|---|---------------------|
| Connection method | Screw connection |
| Single conductor/terminal point, solid, with ferrule, min. | 0.2 mm ² |
| Single conductor/terminal point, solid, with ferrule, max. | 1.5 mm ² |
| Single conductor/terminal point, solid, without ferrule, min. | 0.2 mm ² |
| Single conductor/terminal point, solid, without ferrule, max. | 2.5 mm ² |
| Conductor cross section flexible min. | 0.2 mm ² |
| Conductor cross section flexible max. | 1.5 mm ² |
| Min. AWG conductor cross section, flexible | 24 |
| Max. AWG conductor cross section, flexible | 12 |
| Stripping length | 10 mm |
| Screw thread | M3 |

General

| | |
|---------------------------------|------------------------|
| Maximum transmission error | 0.1 % (of final value) |
| Maximum temperature coefficient | 0.01 %/K |
| Limit frequency (3 dB) | approx. 30 Hz |

Signal conditioner - MINI MCR-2-U-I4 - 2902029

Technical data

General

| | |
|-----------------------------------|--|
| Step response (10-90%) | approx. 10 ms |
| Protective circuit | Transient protection |
| Electrical isolation | Reinforced insulation in accordance with IEC 61010-1 |
| Surge voltage category | II |
| Pollution degree | 2 |
| Rated insulation voltage | 300 V |
| Test voltage, input/output/supply | 3 kV (50 Hz, 1 min.) |
| Electromagnetic compatibility | Conformance with EMC Directive 2004/108/EC |
| Noise emission | EN 61000-6-4 |
| Noise immunity | EN 61000-6-2 When being exposed to interference, there may be minimal deviations. |
| Color | gray |
| Housing material | PBT |
| Mounting position | any |
| Assembly instructions | The T connector can be used to bridge the supply voltage. It can be snapped onto a 35 mm DIN rail according to EN 60715. |
| Conformance | CE-compliant |
| ATEX | # II 3 G Ex nA IIC T4 Gc X |
| UL, USA / Canada | UL 508 Listed |
| | Class I, Div. 2, Groups A, B, C, D T6 |
| | Class I, Zone 2, Group IIC T6 |

EMC data

| | |
|-----------------------|--------------------------|
| Designation | Electromagnetic RF field |
| Standards/regulations | EN 61000-4-3 |
| Designation | Fast transients (burst) |
| Standards/regulations | EN 61000-4-4 |
| Designation | Conducted interferences |
| Standards/regulations | EN 61000-4-6 |

Classifications

eCl@ss

| | |
|------------|----------|
| eCl@ss 4.0 | 27040702 |
| eCl@ss 4.1 | 27040702 |
| eCl@ss 5.0 | 27242213 |
| eCl@ss 5.1 | 27049002 |
| eCl@ss 6.0 | 27049002 |

Signal conditioner - MINI MCR-2-U-I4 - 2902029

Classifications

eCl@ss

| | |
|------------|----------|
| eCl@ss 7.0 | 27049002 |
| eCl@ss 8.0 | 27210120 |

ETIM

| | |
|----------|----------|
| ETIM 3.0 | EC001039 |
| ETIM 4.0 | EC002540 |
| ETIM 5.0 | EC002653 |

UNSPSC

| | |
|---------------|----------|
| UNSPSC 6.01 | 30211502 |
| UNSPSC 7.0901 | 39121004 |
| UNSPSC 11 | 39121004 |
| UNSPSC 12.01 | 39121004 |
| UNSPSC 13.2 | 39121004 |

Approvals

Approvals

Approvals

UL Listed / cUL Listed / GL / cULus Listed


Ex Approvals

ATEX / UL Listed / cUL Listed / cULus Listed

Approvals submitted

Approval details

| |
|---|
| UL Listed  |
|---|

| |
|--|
| cUL Listed  |
|--|

Signal conditioner - MINI MCR-2-U-I4 - 2902029

Approvals

GL

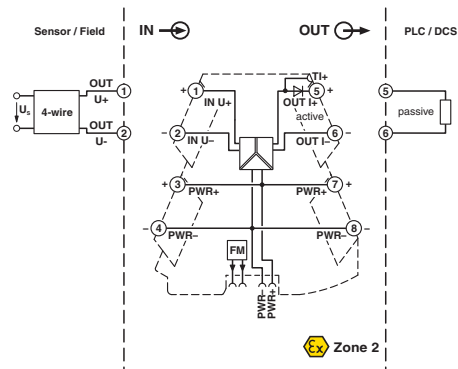
cULus Listed

Drawings

Pictogram

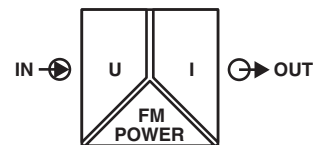
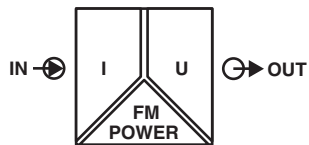


Block diagram



Pictogram

Pictogram



Данный компонент на территории Российской Федерации

Вы можете приобрести в компании MosChip.

Для оперативного оформления запроса Вам необходимо перейти по данной ссылке:

<http://moschip.ru/get-element>

Вы можете разместить у нас заказ для любого Вашего проекта, будь то серийное производство или разработка единичного прибора.

В нашем ассортименте представлены ведущие мировые производители активных и пассивных электронных компонентов.

Нашей специализацией является поставка электронной компонентной базы двойного назначения, продукции таких производителей как XILINX, Intel (ex.ALTERA), Vicor, Microchip, Texas Instruments, Analog Devices, Mini-Circuits, Amphenol, Glenair.

Сотрудничество с глобальными дистрибьюторами электронных компонентов, предоставляет возможность заказывать и получать с международных складов практически любой перечень компонентов в оптимальные для Вас сроки.

На всех этапах разработки и производства наши партнеры могут получить квалифицированную поддержку опытных инженеров.

Система менеджмента качества компании отвечает требованиям в соответствии с ГОСТ Р ИСО 9001, ГОСТ РВ 0015-002 и ЭС РД 009

Офис по работе с юридическими лицами:

105318, г.Москва, ул.Щербаковская д.3, офис 1107, 1118, ДЦ «Щербаковский»

Телефон: +7 495 668-12-70 (многоканальный)

Факс: +7 495 668-12-70 (доб.304)

E-mail: info@moschip.ru

Skype отдела продаж:

moschip.ru

moschip.ru_4

moschip.ru_6

moschip.ru_9