



Main

| | |
|-------------------------------|--------------------------------------|
| Range of product | Zelio Relay |
| Product or component type | Solid state relay |
| Provided equipment | Thermal pad |
| Device short name | SSP1 |
| Phase | 1 phase |
| Contacts type and composition | 1 NO |
| Line Rated Current | 75 A |
| Solid state output type | Zero voltage switching SCR output |

Complementary

| | |
|----------------------------------------|-------------------------------------------------------------------------------------------------------------------------------------------------------------------------------------------------------------------------------------------------------------------------------------------------------------------------------------------------------------------------------------------------------------------------------------------------------------------------------------------------------------------------------------------------|
| [Uc] control circuit voltage | 90...280 V AC |
| Minimum switching voltage | 90 V AC turn-on |
| Maximum switching voltage | 10 V AC turn-off |
| Response time | 30 ms turn-off 25 ms turn-on |
| Input current limits | 5...10 mA |
| Output voltage | 24...300 V |
| Load current | 0.15...75 A |
| Absolute maximum voltage | 600 V |
| Surge current | <= 1000 A for 16.6 ms |
| Maximum I ² t for fusing | 4150 A ² .s for 8.33 ms at 60 Hz half cycle 4555 A ² .s for 10 ms at 50 Hz half cycle |
| Protection device type | Type 1 - 50 A miniature circuit breaker (MCB) - curve B Type 2 - 40 A miniature circuit breaker (MCB) - curve B |
| Leakage current | <= 1 mA off-state |
| Voltage drop | 1.15 V on-state |
| DV/dt | 500 V/μs off-state at maximum voltage |
| Cos phi | 0.5 with maximum load |
| Motor power hp | 1.5 hp 120 V AC 3 hp 240 V AC |
| Insulation resistance | 1000 MOhm at 500 V DC |
| Capacitance unbalance | 8 pF input/output |
| Dielectric strength | 4 kV AC input/output 4 kV AC input or output to case |
| [Uimp] rated impulse withstand voltage | 6 kV output to case 6 kV input to output |
| Tightening torque | 1.5...1.7 N.m input 2...2.2 N.m output |
| Connections - terminals | Forked type tag connectors : 9.2 x 4 mm input Ring lugs : 9.2 x 4 mm input Forked type tag connectors : 11.7 x 4.5 mm output Ring lugs : 11.7 x 4.5 mm output Screw terminals : 0.2...3.3 mm ² , (AWG 24...AWG 12) with cable end input Screw terminals : 0.5...5.26 mm ² , (AWG 20...AWG 10) with cable end output Screw terminals : 0.2...3.3 mm ² , (AWG 24...AWG 12) without cable end input Screw terminals : 0.5...8.26 mm ² , (AWG 20...AWG 8) without cable end output |
| Thermal resistance | 0.3 °C/W junction to case |
| Thermal impedance | 0.48 °C-in ² /W at 25 psi |
| Local signalling | LED, green input |
| IP degree of protection | IP20 |

The information provided in this documentation contains general descriptions and/or technical characteristics of the performance of the products contained herein. This documentation is not intended as a substitute for and is not to be used for determining suitability or reliability of these products for specific user applications. It is the duty of any such user or integrator to perform the appropriate and complete risk analysis, evaluation and testing of the products with respect to the relevant specific application or use thereof. Neither Schneider Electric Industries SAS nor any of its affiliates or subsidiaries shall be responsible or liable for misuse of the information contained herein.

| | |
|-------------------------|----------------------------------------|
| Safety reliability data | MTTFd = 1875.9 years B10d = 1731395 |
| Product weight | 3.15 oz (89.2 g) |

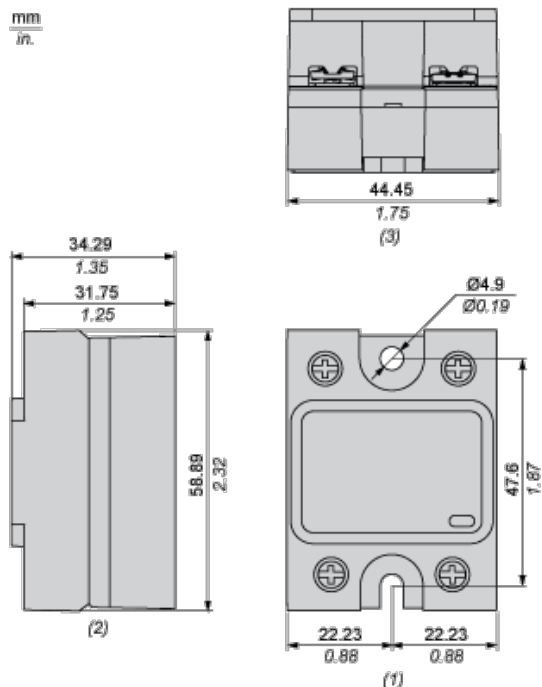
Environment

| | |
|---------------------------------------|----------------------------------------------------------------|
| ambient air temperature for operation | -40...176 °F (-40...80 °C) |
| ambient air temperature for storage | -40...257 °F (-40...125 °C) |
| pollution degree | 2 |
| overvoltage category | III |
| product certifications | CE CSA RoHS UL REACH EAC |
| marking | CE CSA UL EAC |
| standards | EN/IEC 60950-1 UL 508 EN/IEC 62314 CSA C22.2 No 14-13 |

Offer Sustainability

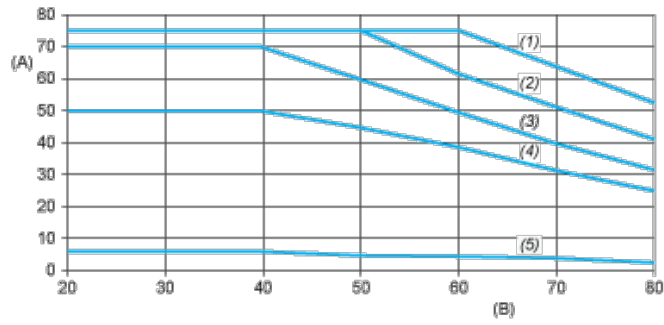
| | |
|----------------------------------------------------------------------------------------------------------------------------------|----------------------------------------------------------------------------------------------------------------------------------|
| Green Premium product | Green Premium product |
| Compliant - since 1522 - Schneider Electric declaration of conformity | Compliant - since 1522 - Schneider Electric declaration of conformity |
| Reference not containing SVHC above the threshold | Reference not containing SVHC above the threshold |
| Available | Available |
| Available | Available |
| WARNING: This product can expose you to chemicals including: | WARNING: This product can expose you to chemicals including: |
| Lead and lead compounds, which is known to the State of California to cause cancer and birth defects or other reproductive harm. | Lead and lead compounds, which is known to the State of California to cause cancer and birth defects or other reproductive harm. |
| For more information go to www.p65warnings.ca.gov | For more information go to www.p65warnings.ca.gov |

Dimensions



- (1) Front view
- (2) Side view
- (3) Bottom view

Derating Curves



- A : Load Current (Arms)
- B : Ambient Temperature (°C)
- (1) For Heatsink SSRHP02
- (2) For Heatsink SSRHP05
- (3) For Heatsink SSRHP07
- (4) For Heatsink SSRHD10
- (5) No Heatsink

Данный компонент на территории Российской Федерации

Вы можете приобрести в компании MosChip.

Для оперативного оформления запроса Вам необходимо перейти по данной ссылке:

<http://moschip.ru/get-element>

Вы можете разместить у нас заказ для любого Вашего проекта, будь то серийное производство или разработка единичного прибора.

В нашем ассортименте представлены ведущие мировые производители активных и пассивных электронных компонентов.

Нашей специализацией является поставка электронной компонентной базы двойного назначения, продукции таких производителей как XILINX, Intel (ex.ALTERA), Vicor, Microchip, Texas Instruments, Analog Devices, Mini-Circuits, Amphenol, Glenair.

Сотрудничество с глобальными дистрибьюторами электронных компонентов, предоставляет возможность заказывать и получать с международных складов практически любой перечень компонентов в оптимальные для Вас сроки.

На всех этапах разработки и производства наши партнеры могут получить квалифицированную поддержку опытных инженеров.

Система менеджмента качества компании отвечает требованиям в соответствии с ГОСТ Р ИСО 9001, ГОСТ РВ 0015-002 и ЭС РД 009

Офис по работе с юридическими лицами:

105318, г.Москва, ул.Щербаковская д.3, офис 1107, 1118, ДЦ «Щербаковский»

Телефон: +7 495 668-12-70 (многоканальный)

Факс: +7 495 668-12-70 (доб.304)

E-mail: info@moschip.ru

Skype отдела продаж:

moschip.ru

moschip.ru_4

moschip.ru_6

moschip.ru_9