

# SMT Power Transformer

For Linear Technology  
LT1725 Flyback Controller

The A9967-AL surface mount transformer works with with Linear Technology LT1725 Isolated Flyback Controller. It is ideal for use in telecommunications isolated converters and isolated power supplies, and can be used in PoE applications.

This low-profile transformer is designed for an input voltage of 36 – 72 Volts. It features six 1-to-1 windings and 500 Vrms, one minute isolation between windings.

For the LT1725, 48 V to 15 V converter, three windings are connected in series for the primary and two windings are connected in parallel for the secondary output of 15 V, 2 A. The remaining winding provides power to the chipset.

Coilcraft can also custom engineer a transformer to meet your specific requirements. For free evaluation samples, contact Coilcraft or visit [www.coilcraft.com](http://www.coilcraft.com).

Part number <sup>1</sup>	Inductance at 0A <sup>2</sup> ±10% (µH)	Inductance at Ipk <sup>3</sup> min (µH)	DCR max <sup>4</sup> (Ohms)	Leakage inductance <sup>5</sup> max (µH)	Ipk <sup>3</sup> (A)	Output <sup>6</sup>
A9967-AL_	10.0	9.0	0.045	0.200	2.3	15 V, 2 A

1. When ordering, please specify **packaging** code:

**A9967-ALD**

**Packaging:** **D** = 13" machine-ready reel. EIA-481 embossed plastic tape (175 parts per full reel).

**B** = Less than full reel. In tape, but not machine ready. To have a leader and trailer added (\$25 charge), use code letter D instead.

2. Inductance is per winding of the primary, measured at 100 kHz, 0.1 Vrms, 0 Adc. Inductance of the primary, with three windings connected in series is 90 µH.

3. Peak primary current (with three windings connected in series) drawn at minimum input voltage. Peak current per winding is 7.0 A.

4. DCR is per winding.

5. Leakage inductance is for one winding and is measured with all other windings shorted.

6. Output is with both windings of the secondary connected in parallel.

7. Electrical specifications at 25°C.

Refer to Doc 362 "Soldering Surface Mount Components" before soldering.

**Core material** Ferrite

**Weight:** 11.9 g

**Terminations** RoHS tin-silver over tin over nickel over phos bronze. Other terminations available at additional cost.

**Ambient temperature** -40°C to +125°C

**Storage temperature** Component: -40°C to +125°C.

Tape and reel packaging: -40°C to +80°C

**Resistance to soldering heat** Max three 40 second reflows at +260°C, parts cooled to room temperature between cycles

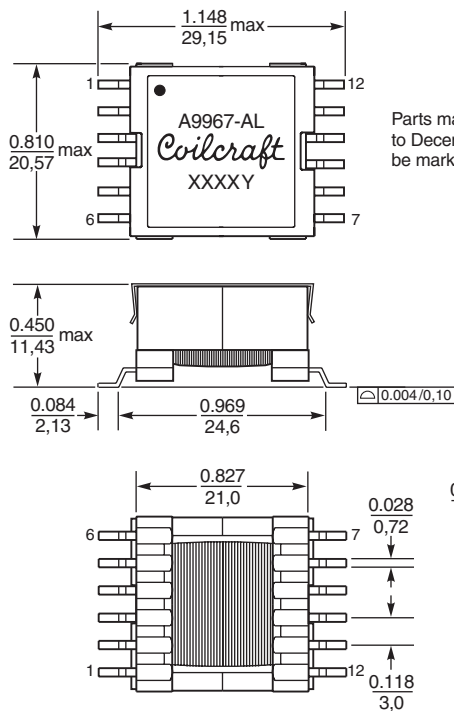
**Moisture Sensitivity Level (MSL)** 1 (unlimited floor life at <30°C / 85% relative humidity)

**Failures in Time (FIT) / Mean Time Between Failures (MTBF)**

38 per billion hours / 26,315,789 hours, calculated per Telcordia SR-332

**Packaging** 175 per 13" reel Plastic tape: 44 mm wide, 0.4 mm thick, 28 mm pocket spacing, 12.0 mm pocket depth

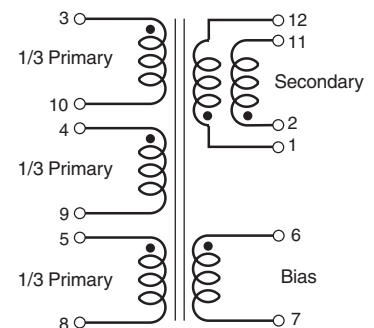
**PCB washing** Tested with pure water or alcohol only. For other solvents, see Doc787\_PCB\_Washing.pdf.



Dimensions are in inches  
mm

Parts manufactured prior to December 2011 may be marked differently.

**Recommended Land Pattern**



Primary windings to be connected in series on the PC board. Secondary winding to be connected in parallel on the PC board.

**Coilcraft**  
www.coilcraft.com

**US** +1-847-639-6400 sales@coilcraft.com  
**UK** +44-1236-730595 sales@coilcraft-europe.com  
**Taiwan** +886-2-2264 3646 sales@coilcraft.com.tw  
**China** +86-21-6218 8074 sales@coilcraft.com.cn  
**Singapore** + 65-6484 8412 sales@coilcraft.com.sg

Document 376 Revised 08/06/13

© Coilcraft Inc. 2013

This product may not be used in medical or high risk applications without prior Coilcraft approval. Specification subject to change without notice. Please check web site for latest information.

## Данный компонент на территории Российской Федерации

### Вы можете приобрести в компании MosChip.

Для оперативного оформления запроса Вам необходимо перейти по данной ссылке:

<http://moschip.ru/get-element>

Вы можете разместить у нас заказ для любого Вашего проекта, будь то серийное производство или разработка единичного прибора.

В нашем ассортименте представлены ведущие мировые производители активных и пассивных электронных компонентов.

Нашей специализацией является поставка электронной компонентной базы двойного назначения, продукции таких производителей как XILINX, Intel (ex.ALTERA), Vicor, Microchip, Texas Instruments, Analog Devices, Mini-Circuits, Amphenol, Glenair.

Сотрудничество с глобальными дистрибьюторами электронных компонентов, предоставляет возможность заказывать и получать с международных складов практически любой перечень компонентов в оптимальные для Вас сроки.

На всех этапах разработки и производства наши партнеры могут получить квалифицированную поддержку опытных инженеров.

Система менеджмента качества компании отвечает требованиям в соответствии с ГОСТ Р ИСО 9001, ГОСТ РВ 0015-002 и ЭС РД 009

### Офис по работе с юридическими лицами:

105318, г.Москва, ул.Щербаковская д.3, офис 1107, 1118, ДЦ «Щербаковский»

Телефон: +7 495 668-12-70 (многоканальный)

Факс: +7 495 668-12-70 (доб.304)

E-mail: [info@moschip.ru](mailto:info@moschip.ru)

Skype отдела продаж:

moschip.ru

moschip.ru\_4

moschip.ru\_6

moschip.ru\_9