

## SERIES 95C

6mm Square, Non-washable

### FEATURES

- Excellent Tactile Feedback
- Thru-hole, Gull Wings, and Right Angle Versions
- Surface Mount Versions
- Compatible with SMT Assembly Including Infrared and Vapor Phase

- Ultraminiature and Lightweight Structure Suitable for High Density Mounting


Used in applications such as consumer electronics, audio equipment, PCs, VCRs, cable boxes, modems, communications equipment, controls, security and alarm equipment, and test and measurement equipment.

### APPLICATIONS

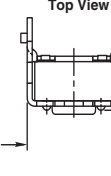
### DIMENSIONS: Non-Washable Switches In inches (and millimeters)



**DIMENSIONS: Non-Washable Switches** In inches (and millimeters)

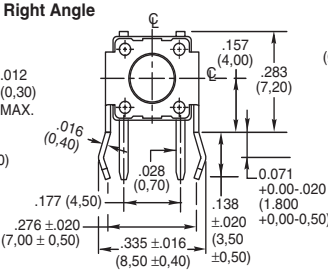


**Right Angle**



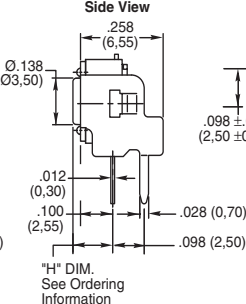
**Top View**

.012 (0,30) MAX.  
.291 (7,40)



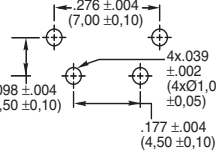
**Right Angle**

.157 (4,00)  
.283 (7,20)  
.016 (0,40)  
.028 (0,70)  
.177 (4,50)  
.276 ±.020 (7,00 ± 0,50)  
.335 ±.016 (8,50 ± 0,40)  
.138 (3,50)  
±.020 (0,50)  
0.071 (1,800)  
+0.00-.020 (0,00-0,50)  
+0.00-0.50



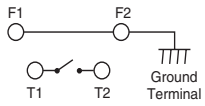
**Side View**

.258 (6,55)  
Ø.138 (Ø3,50)  
.012 (0,30)  
.100 (2,55)  
.028 (0,70)  
.098 (2,50)  
"H" DIM. See Ordering Information

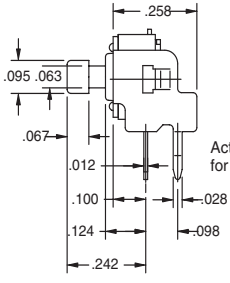


**P.C.B. LAYOUT**

.276 ±.004 (7,00 ± 0,10)  
4x.039 ±.002 (4xØ1,0 ± 0,05)  
.098 ±.004 (2,50 ± 0,10)  
.177 ±.004 (4,50 ± 0,10)

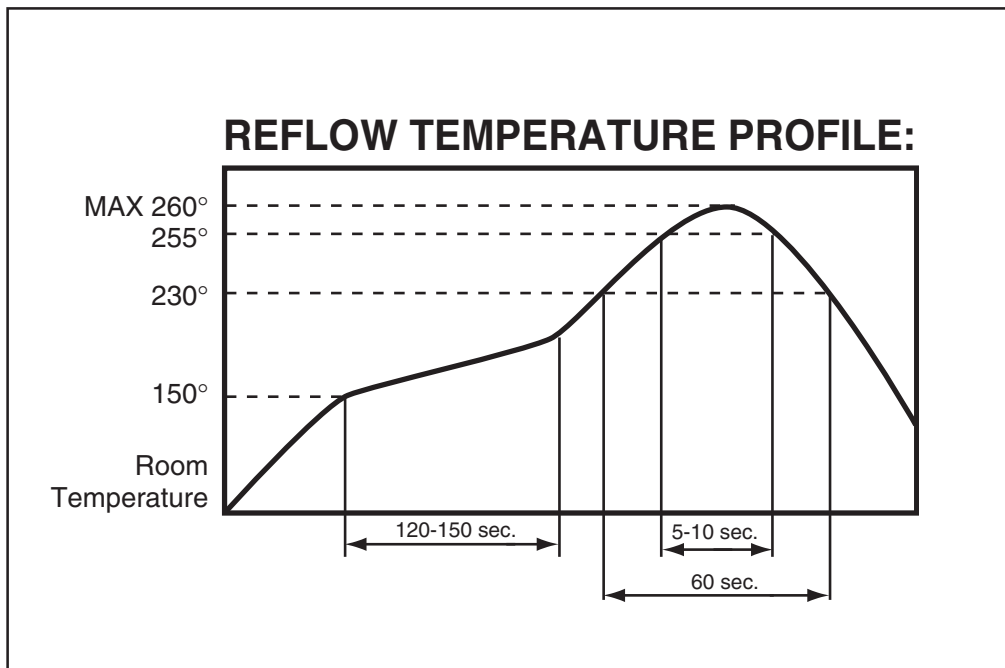


F1 F2  
T1 T2 Ground Terminal



**Actuator Style "F" for use with caps. See page**

.258  
.095 .063  
.067  
.012  
.100  
.124  
.242  
.028  
.098



Tact Switches

## ORDERING INFORMATION: Non-Washable Switches

<p><b>Thru-Hole and Gull Wing</b></p> <p><b>95C06A2GWRT</b></p>	<p><b>Series</b>  <b>Size:</b> 06 = 6mm Square  <b>Height ("H"):</b> A = .169 (4,29), B = .197 (5,00), C = .276 (7,01), D = .374 (9,50), E = .512 (13,00)          F = .287 (7,29) for use with decorative caps  <b>RoHS compliant</b>  <b>Packaging:</b> Blank = Tube or bulk, R = Tape and Reel (see pkg note)  <b>Terminal Style:</b> Blank = Thru-hole, GW = Gull Wing  <b>Operating Force (Actuator Color):</b> 2 = 100g (Black), 3 = 160g (Brown), 4 = 260g (Red),          5 = 320g (Orange), 6 = 520g (Yellow)</p>
<p><b>Right Angle</b></p> <p><b>95C06A2RAT</b></p>	<p><b>Series</b>  <b>Size:</b> 06 = 6mm Square  <b>Height ("H"):</b> A = .124 (3,14), B = .152 (3,86), C = .230 (5,84), D = .329 (8,36), E = .467 (11,86)          F = .242 (6,15) for use with decorative caps  <b>RoHS compliant</b>  <b>Terminal Style:</b> RA = Right Angle  <b>Operating Force (Actuator Color):</b> 2 = 100g (Black), 3 = 160g (Brown), 4 = 260g (Red)</p>

**Packaging** Thru-Hole: Bulk, 1000 pcs/bag. Surface Mount: 77 pcs/tube, 1000 pcs/reel (.169" height), 900 pcs/reel (.197" height), 500 pcs/reel (.276" and .287" height), 380 pcs/reel (.374" height). Right Angle: Bulk, 1000 pcs/bag.

## SPECIFICATIONS:

### Non-Washable Switches

#### Materials

**Base:** UL94V-0 Nylon thermoplastic  
**Cover:** Stainless steel, tin-plated steel  
**Actuator:** UL94V-0 Nylon thermoplastic  
**Terminal:** Brass with silver-plating  
**Contact:** Stainless steel with silver-plating  
**Cap:** Thermoplastic ABS

#### Electrical

**Rating:** 50mA, 12 Vdc  
**Life:** 100g, 160g: 1,000,000 cycles;  
 260g: 500,000 cycles  
 320g, 520g, 300,000 cycles  
**Actuator Travel:** .010" + .008"/ - .004"  
**Contact Resistance:** 100 mΩ max.  
**Insulation Resistance:** 100 MΩ min.  
 at 500Vdc

**Dielectric Strength:** No dielectric breakdown after 250V for one minute  
**Contact Arrangement:** single pole, single throw

#### Environmental

**Operating Temp. Range:** -25 to 70°C  
**Storage Temp. Range:** -30 to 80°C  
**Mechanical Shock:** MIL-STD-202F, Method 213B, Test Condition A. Gravity: 50G's (peak value), 11 msec. Direction and times: 6 sides and 3 times in each direction. High reliability.  
**Vibration:** MIL-STD-202F, Method 201A. Passed 6 hours (2 hours in each) of three perpendicular planes at a cycle of 10-55-10Hz/minute. High reliability.

#### Soldering Process

**Hand Soldering:** Use a soldering iron of 30 watts, controlled at 350°C for 5 seconds maximum while applying solder.

**Reflow Soldering** (surface mount versions only): Peak temperature 260°C (500°F).

**Wave Soldering:** 260°C (500°F) maximum for 5 seconds subject to PCB .063 in. (1,6mm) thickness.

#### Available from your local Grayhill Component Distributor.

For prices and discounts, contact a local Sales Office, an authorized local distributor, or Grayhill.

## DECORATIVE CAPS (for use with "F" style square actuators)

**6mm SQUARE**

figure 1

**6mm ROUND**

figure 2

PART NUMBER	SWITCH SIZE	SHAPE	COLOR	FIGURE
95CAP-000	6mm	SQUARE	YELLOW	1
95CAP-001	6mm	SQUARE	BLUE	1
95CAP-002	6mm	SQUARE	RED	1
95CAP-003	6mm	SQUARE	NATURAL	1
95CAP-004	6mm	SQUARE	BLACK	1
95CAP-005	6mm	SQUARE	GREEN	1
95CAP-006	6mm	SQUARE	ORANGE	1
95CAP-010	6mm	ROUND	YELLOW	2
95CAP-011	6mm	ROUND	BLUE	2
95CAP-012	6mm	ROUND	RED	2
95CAP-013	6mm	ROUND	NATURAL	2
95CAP-014	6mm	ROUND	BLACK	2
95CAP-015	6mm	ROUND	GREEN	2
95CAP-016	6mm	ROUND	ORANGE	2

## Данный компонент на территории Российской Федерации

### Вы можете приобрести в компании MosChip.

Для оперативного оформления запроса Вам необходимо перейти по данной ссылке:

<http://moschip.ru/get-element>

Вы можете разместить у нас заказ для любого Вашего проекта, будь то серийное производство или разработка единичного прибора.

В нашем ассортименте представлены ведущие мировые производители активных и пассивных электронных компонентов.

Нашей специализацией является поставка электронной компонентной базы двойного назначения, продукции таких производителей как XILINX, Intel (ex.ALTERA), Vicor, Microchip, Texas Instruments, Analog Devices, Mini-Circuits, Amphenol, Glenair.

Сотрудничество с глобальными дистрибьюторами электронных компонентов, предоставляет возможность заказывать и получать с международных складов практически любой перечень компонентов в оптимальные для Вас сроки.

На всех этапах разработки и производства наши партнеры могут получить квалифицированную поддержку опытных инженеров.

Система менеджмента качества компании отвечает требованиям в соответствии с ГОСТ Р ИСО 9001, ГОСТ РВ 0015-002 и ЭС РД 009

### Офис по работе с юридическими лицами:

105318, г.Москва, ул.Щербаковская д.3, офис 1107, 1118, ДЦ «Щербаковский»

Телефон: +7 495 668-12-70 (многоканальный)

Факс: +7 495 668-12-70 (доб.304)

E-mail: [info@moschip.ru](mailto:info@moschip.ru)

Skype отдела продаж:

moschip.ru

moschip.ru\_4

moschip.ru\_6

moschip.ru\_9