

HIGH SPEED 16K x 8 CMOS PROM/RPROM

KEY FEATURES

- **Very Fast Access Time**
— 35 ns
- **Low Power Consumption**
- **Fast Programming**
- **Pin Compatible with Am27S51 and N82HS1281**
- **Immune to Latch-Up**
— Up to 200 mA
- **ESD Protection Exceeds 2000 V**

GENERAL DESCRIPTION

The WS57C51C is a High Performance 128K UV Erasable Electrically Re-Programmable Read Only Memory (RPROM). It is manufactured in an advanced CMOS technology which enables it to operate at Bipolar PROM speeds while consuming only 25% of the power required by its Bipolar counterparts.

A further advantage of the WS57C51C over Bipolar PROM devices is the fact that it utilizes a proven EPROM technology. This enables the entire memory array to be tested for switching characteristics and functionality after assembly. Unlike devices which cannot be erased, every WS57C51C in a windowed package is 100% tested with worst case test patterns both before and after assembly.

The WS57C51C provides a low power alternative to those designs which are committed to a Bipolar PROM footprint. It is a direct drop-in replacement for a Bipolar PROM of the same architecture (16K x 8). No software, hardware or layout changes need be performed.

BLOCK DIAGRAM



PIN CONFIGURATION



PRODUCT SELECTION GUIDE

PARAMETER	57C51C-35	57C51C-45	57C51C-55	57C51C-70
Address Access Time (Max)	35 ns	45 ns	55 ns	70 ns
CS to Output Valid Time (Max)	20 ns	20 ns	25 ns	30 ns

ABSOLUTE MAXIMUM RATINGS*

Storage Temperature.....-65° to + 150°C
 Voltage on any Pin with Respect to Ground-0.6V to +7V
 V_{PP} with Respect to Ground.....-0.6V to + 14V
 ESD Protection.....>2000V

***NOTICE:**

Stresses above those listed under "Absolute Maximum Ratings" may cause permanent damage to the device. This is a stress rating only and functional operation of the device at these or any other conditions above those indicated in the operational sections of this specification is not implied. Exposure to absolute maximum rating conditions for extended periods of time may affect device reliability.

MODE SELECTION

PINS MODE	$\overline{CS1}/V_{PP}$	$\overline{CS2}$	CS3	$\overline{CS4}$	V _{CC}	OUTPUTS
Read	V _{IL}	V _{IL}	V _{IH}	V _{IL}	V _{CC}	D _{OUT}
Output Disable	V _{IH}	X	X	X	V _{CC}	High Z
Output Disable	X	V _{IH}	X	X	V _{CC}	High Z
Output Disable	X	X	V _{IL}	X	V _{CC}	High Z
Output Disable	X	X	X	V _{IH}	V _{CC}	High Z
Program	V _{PP}	V _{IH}	X	X	V _{CC}	D _{IN}
Program Verify	V _{IL}	V _{IL}	V _{IH}	V _{IL}	V _{CC}	D _{OUT}

OPERATING RANGE

RANGE	TEMPERATURE	V _{CC}
Commercial	0°C to +70°C	+5V ± 10%
Industrial	-40°C to +85°C	+5V ± 10%
Military	-55°C to +125°C	+5V ± 10%

DC READ CHARACTERISTICS Over Operating Range. (See Above)

SYMBOL	PARAMETER	TEST CONDITIONS	MIN	MAX	UNITS
V _{IL}	Input Low Voltage	(Note 3)	-0.1	0.8	V
V _{IH}	Input High Voltage	(Note 3)	2.0	V _{CC} + 0.3	V
V _{OL}	Output Low Voltage	I _{OL} = 16 mA		0.4	V
V _{OH}	Output High Voltage	I _{OH} = -4 mA	2.4		V
I _{CC1}	V _{CC} Active Current (CMOS)	V _{CC} = 5.5 V, f = 0 MHz (Note 1), Output Not Loaded Add 4 mA/MHz for AC Operation	Comm'l	30	mA
			Industrial	35	mA
			Military	35	mA
I _{CC2}	V _{CC} Active Current (TTL)	V _{CC} = 5.5 V, f = 0 MHz (Note 2), Output Not Loaded Add 4 mA/MHz for AC Operation	Comm'l	50	mA
			Industrial	60	mA
			Military	60	mA
I _{LI}	Input Leakage Current	V _{IN} = 5.5V or Gnd	-10	10	µA
I _{LO}	Output Leakage Current	V _{OUT} = 5.5 V or Gnd	-10	10	µA

- NOTES:**
1. CMOS inputs: GND ± 0.3V or V_{CC} ± 0.3V.
 2. TTL inputs: V_{IL} ≤ 0.8V, V_{IH} ≥ 2.0V.
 3. These are absolute voltages with respect to device ground pin and include all overshoots due to system and/or tester noise. Do not attempt to test these values without suitable equipment.



AC READ CHARACTERISTICS Over Operating Range. (See Above)

PARAMETER	SYMBOL	57C51C-35		57C51C-45		57C51C-55		57C51C-70		UNITS
		MIN	MAX	MIN	MAX	MIN	MAX	MIN	MAX	
Address to Output Delay	t_{ACC}		35		45		55		70	ns
\overline{CS} to Output Delay	t_{CS}		20		20		25		30	
Output Disable to Output Float*	t_{DF}		20		20		25		25	
Address to Output Hold	t_{OH}	0		0		0		0		

* Sampled, Not 100% Tested.

AC READ TIMING DIAGRAM



CAPACITANCE⁽⁴⁾ $T_A = 25^\circ\text{C}$, $f = 1\text{ MHz}$

SYMBOL	PARAMETER	CONDITIONS	TYP ⁽⁵⁾	MAX	UNITS
C_{IN}	Input Capacitance	$V_{IN} = 0\text{V}$	4	6	pF
C_{OUT}	Output Capacitance	$V_{OUT} = 0\text{V}$	8	12	pF
C_{VPP}	V_{PP} Capacitance	$V_{PP} = 0\text{V}$	18	25	pF

NOTES: 4. This parameter is only sampled and is not 100% tested.
 5. Typical values are for $T_A = 25^\circ\text{C}$ and nominal supply voltages.

TEST LOAD (High Impedance Test Systems)

A.C. TESTING INPUT/OUTPUT WAVEFORM



NOTE: 6. Provide adequate decoupling capacitance as close as possible to this device to achieve the published A.C. and D.C. parameters. A 0.1 microfarad capacitor in parallel with a 0.01 microfarad capacitor connected between V_{CC} and ground is recommended. Inadequate decoupling may result in access time degradation or other transient performance failures.



**NORMALIZED SUPPLY CURRENT
vs.
SUPPLY VOLTAGE**



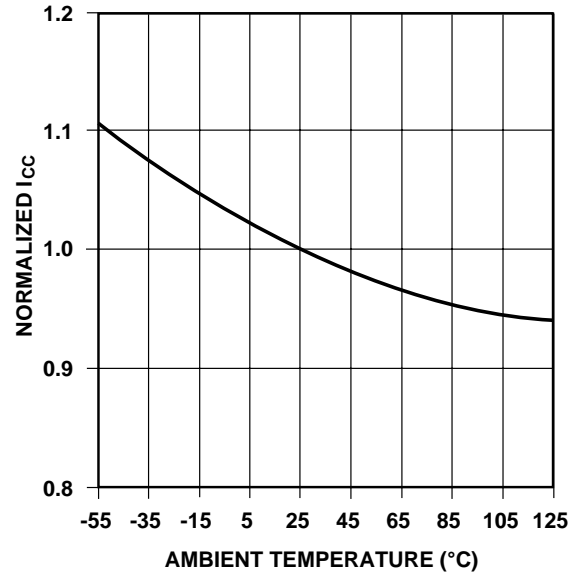
**TYPICAL ACCESS TIME CHANGE
vs.
OUTPUT LOADING**



**NORMALIZED T_{aa}
vs.
AMBIENT TEMPERATURE**



**NORMALIZED SUPPLY CURRENT
vs.
AMBIENT TEMPERATURE**



PROGRAMMING INFORMATION

DC CHARACTERISTICS ($T_A = 25 \pm 5^\circ\text{C}$, $V_{CC} = 6.25 \text{ V} \pm 0.25 \text{ V}$, $V_{PP} = 12.75 \pm 0.25 \text{ V}$)

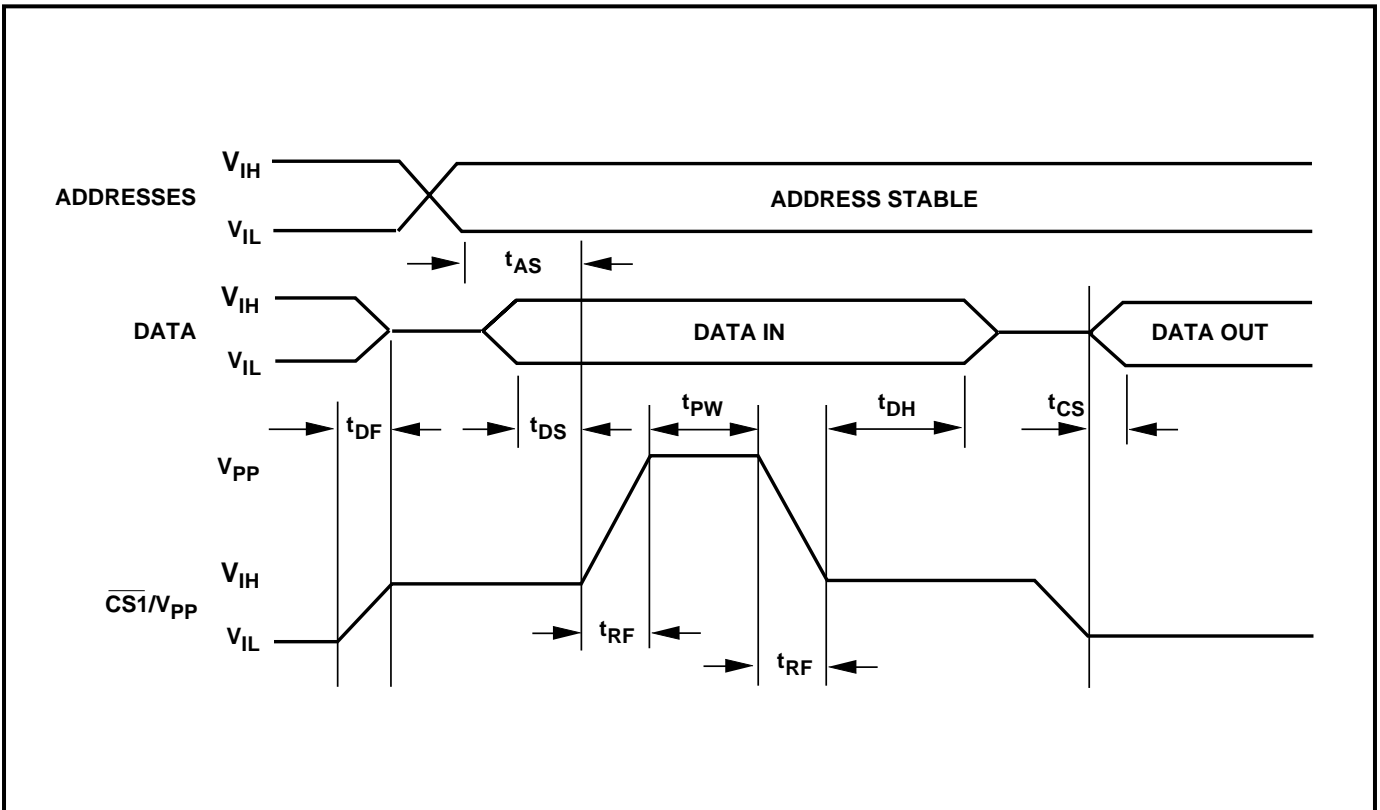
SYMBOLS	PARAMETER	MIN	MAX	UNITS
I_{LI}	Input Leakage Current ($V_{IN} = V_{CC}$ or Gnd)	-10	10	μA
I_{PP}	V_{PP} Supply Current During Programming Pulse		60	mA
I_{CC}	V_{CC} Supply Current		25	mA
V_{OL}	Output Low Voltage During Verify ($I_{OL} = 16 \text{ mA}$)		0.45	V
V_{OH}	Output High Voltage During Verify ($I_{OH} = -4 \text{ mA}$)	2.4		V

NOTE: 7. V_{PP} must not be greater than 13 volts including overshoot.

AC CHARACTERISTICS ($T_A = 25 \pm 5^\circ\text{C}$, $V_{CC} = 6.25 \text{ V} \pm 0.25 \text{ V}$, $V_{PP} = 12.75 \pm 0.25 \text{ V}$)

SYMBOLS	PARAMETER	MIN	TYP	MAX	UNITS
t_{AS}	Address Setup Time	2			μs
t_{DF}	Chip Disable Setup Time			30	ns
t_{DS}	Data Setup Time	2			μs
t_{PW}	Program Pulse Width	100		200	μs
t_{DH}	Data Hold Time	2			μs
t_{CS}	Chip Select Delay			30	ns
t_{RF}	V_{PP} Rise and Fall Time	1			μs

PROGRAMMING WAVEFORM



ORDERING INFORMATION

PART NUMBER	SPEED (ns)	PACKAGE TYPE	PACKAGE DRAWING	OPERATING TEMPERATURE RANGE	WSI MANUFACTURING PROCEDURE
WS57C51C-35D	35	28 Pin CERDIP, 0.6"	D2	Comm'l	Standard
WS57C51C-35T	35	28 Pin CERDIP, 0.3"	T2	Comm'l	Standard
WS57C51C-35TI	35	28 Pin CERDIP, 0.3"	T2	Industrial	Standard
WS57C51C-45CMB	45	32 Pad CLLCC	C2	Military	MIL-STD-883C
WS57C51C-45D	45	28 Pin CERDIP, 0.6"	D2	Comm'l	Standard
WS57C51C-45DMB	45	28 Pin CERDIP, 0.6"	D2	Military	MIL-STD-883C
WS57C51C-45J	45	32 Pin PLDCC	J4	Comm'l	Standard
WS57C51C-45JI	45	32 Pin PLDCC	J4	Industrial	Standard
WS57C51C-45L	45	32 Pin CLDCC	L3	Comm'l	Standard
WS57C51C-45T	45	28 Pin CERDIP, 0.3"	T2	Comm'l	Standard
WS57C51C-45TI	45	28 Pin CERDIP, 0.3"	T2	Industrial	Standard
WS57C51C-45TMB	45	28 Pin CERDIP, 0.3"	T2	Military	MIL-STD-883C
WS57C51C-55CMB	55	32 Pad CLLCC	C2	Military	MIL-STD-883C
WS57C51C-55D	55	28 Pin CERDIP, 0.6"	D2	Comm'l	Standard
WS57C51C-55DMB	55	28 Pin CERDIP, 0.6"	D2	Military	MIL-STD-883C
WS57C51C-55J	55	32 Pin PLDCC	J4	Comm'l	Standard
WS57C51C-55JI	55	32 Pin PLDCC	J4	Industrial	Standard
WS57C51C-55L	55	32 Pin CLDCC	L3	Comm'l	Standard
WS57C51C-55T	55	28 Pin CERDIP, 0.3"	T2	Comm'l	Standard
WS57C51C-55TI	55	28 Pin CERDIP, 0.3"	T2	Industrial	Standard
WS57C51C-55TMB	55	28 Pin CERDIP, 0.3"	T2	Military	MIL-STD-883C
WS57C51C-70D	70	28 Pin CERDIP, 0.6"	D2	Comm'l	Standard
WS57C51C-70T	70	28 Pin CERDIP, 0.3"	T2	Comm'l	Standard

NOTES: 8. The actual part marking will not include the initials "WS."

PROGRAMMING/ALGORITHMS/ERASURE/PROGRAMMERS

**REFER TO
PAGE 5-1**

The WS57C51C is programmed using Algorithm D shown on page 5-9.



Данный компонент на территории Российской Федерации

Вы можете приобрести в компании MosChip.

Для оперативного оформления запроса Вам необходимо перейти по данной ссылке:

<http://moschip.ru/get-element>

Вы можете разместить у нас заказ для любого Вашего проекта, будь то серийное производство или разработка единичного прибора.

В нашем ассортименте представлены ведущие мировые производители активных и пассивных электронных компонентов.

Распределительные склады, находящиеся в России, Европе и в Китае, позволяют нам оперативно поставить необходимые компоненты в оптимальные для Вас сроки.

На всех этапах разработки и производства наши партнеры могут получить квалифицированную поддержку опытных инженеров.

Система менеджмента качества компании отвечает требованиям ISO 9001:2011

Офис по работе с юридическими лицами:

107023, г.Москва, Семеновский переулок, д.6, Бизнес-центр «АВС»

Телефон: +7 495 668-12-70 (многоканальный)

Факс: +7 495 668-12-70 (доб.304)

E-mail: info@moschip.ru

Skype отдела продаж:

moschip.ru_3	moschip.ru_6
moschip.ru_4	moschip.ru_7
moschip.ru_11	moschip.ru_8
moschip.ru_12	moschip.ru_9