

36V/30V/24V Step-Up LED Driver with Internal Diode and Serial Control

Features

- Wide V_{IN} input range: 2.7V to 5.5V
- Wide output range: up to 10 series LEDs
- Integrated 40V high current switch (0.52A limit)
- High efficiency boost converter (up to 85%)
- Highly integrated solution
 - ▶ Integrated diode
 - ▶ Internal compensation and soft start
- ExpressWire™ interface dual method dimming with single pin (CTRL)
 - ▶ 256-step Serial dimming control
 - ▶ High resolution PWM dimming
- High accuracy across full load range
- LED open-circuit (OVP) protection
 - ▶ KTD2801 : 36V
 - ▶ KTD2801A : 30V
 - ▶ KTD2801B : 24V
- Low 200mV feedback voltage
- 1MHz High switching frequency
- Simple, small solution size
- $< 1 \mu\text{A}$ shutdown current
- Small TDFN22-6 and Thin SOT23 package
- RoHS and Green compliant
- -40°C to +85°C Temperature Range

Applications

- LED backlighting
- Mobile Phones, Handheld Devices
- Digital Photo Frames, Automotive Navigation

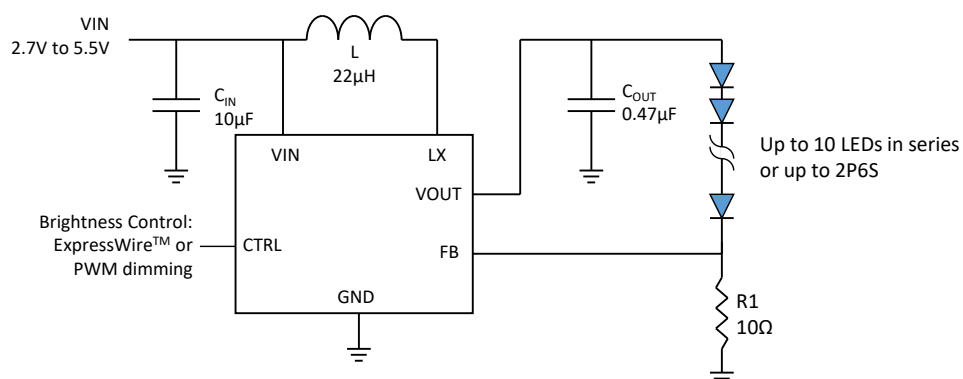
Brief Description

The KTD2801/A/B is a versatile constant current LED driver with a high efficiency DC-DC step up “boost” converter architecture. The low-side power MOSFET and high-side diode are integrated in the device, minimizing the total number of external components. Unique technology and high 0.52A current limit allow KTD2801 to drive up to 36V output (10 LEDs in series), or KTD2801A 30V output (8 LEDs in series) or KTD2801B 24V output (6 LEDs). Alternatively, the KTD2810 can deliver 40mA total current for two parallel strings of up to 6 series LEDs. It can also maximize the current capability while achieving high conversion efficiency. The optimized 1MHz switching frequency results in small external component size. The driver is equipped with an internal decoder that allows digital FB control dimming for 256-step (8-bit) current programming and can also be used for PWM dimming with a one-line control signal.

Various protection features are built into the KTD2801/A/B, including cycle-by-cycle input current limit protection, LED open-circuit (output over voltage) protection and thermal shutdown protection. The leakage current in shutdown mode is less than $1\mu\text{A}$.

The device is available in a RoHS compliant 6-lead TDFN22 package and 6-lead Thin SOT-23 package

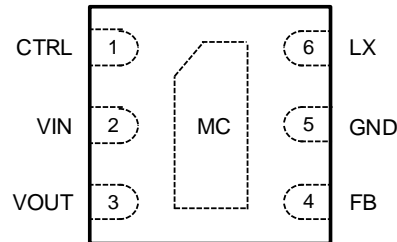
Typical Application



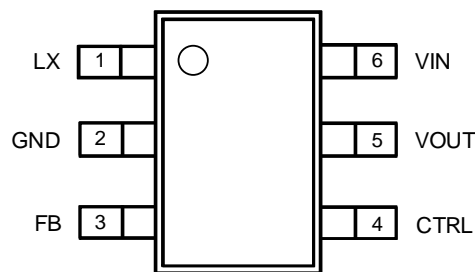
Pin Descriptions

| Pin # | | Name | Function |
|----------|-----------|------|--|
| TDFN22-6 | TSOT-23-6 | | |
| 1 | 4 | CTRL | IC control pin. Can be used to enable/disable the IC, as well as to program the output current using ExpressWire Control or PWM dimming. |
| 2 | 6 | VIN | Input supply pin for the IC |
| 3 | 5 | VOUT | Output voltage pin |
| 4 | 3 | FB | Feedback voltage pin |
| 5 | 2 | GND | Converter/IC ground |
| 6 | 1 | LX | Switching node of the step-up converter |
| MC | - | MC | Metal chassis. Connect to ground for electrical and thermal usage. (TDFN22-6 PKG only) |

TDFN22-6 PKG
(Top View)



TSOT-23-6 PKG
(Top View)



Absolute Maximum Ratings¹

(T_A=25°C unless otherwise noted)

| Symbol | Description | Value | Units |
|----------------------|--|------------------------------|------------|
| V _{IN} | Input voltage | -0.3 to 6.0 | V |
| LX, V _{OUT} | High voltage nodes | KTD2801 | -0.3 to 40 |
| | | KTD2801A | -0.3 to 34 |
| | | KTD2801B | -0.3 to 28 |
| FB, CTRL | Other pins | -0.3 to V _{IN} +0.3 | V |
| T _J | Operating Temperature Range | -40 to 150 | °C |
| T _s | Storage Temperature Range | -65 to 150 | °C |
| T _{LEAD} | Maximum Soldering Temperature (at leads, 10 sec) | 300 | °C |

Thermal Capabilities

| Symbol | Description | Value | Units |
|---------------------|---|-------|-------|
| TDFN22-6 | | | |
| θ _{JA} | Thermal Resistance – Junction to Ambient ² | 65 | °C/W |
| P _D | Maximum Power Dissipation at T _A ≤ 25°C | 1.54 | W |
| ΔP _D /°C | Derating Factor Above T _A = 25°C | -15.4 | mW/°C |
| TSOT23-6 | | | |
| θ _{JA} | Thermal Resistance – Junction to Ambient ² | 190 | °C/W |
| P _D | Maximum Power Dissipation at T _A ≤ 25°C | 0.526 | W |
| ΔP _D /°C | Derating Factor Above T _A = 25°C | -1.9 | mW/°C |

Ordering Information

| Part Number | OVP Threshold (nominal) | Marking ³ | Operating Temperature | Package |
|---------------|-------------------------|----------------------|-----------------------|----------|
| KTD2801ECD-TR | 36V | FFYYZ | -40°C to +85°C | TDFN22-6 |
| KTD2801AEC-TR | 30V | FUYYZ | -40°C to +85°C | TDFN22-6 |
| KTD2801BEC-TR | 24V | FGYYZ | -40°C to +85°C | TDFN22-6 |
| KTD2801EHD-TR | 36V | FFYYZ | -40°C to +85°C | TSOT23-6 |
| KTD2801AHD-TR | 30V | FUYYZ | -40°C to +85°C | TSOT23-6 |
| KTD2801BHD-TR | 24V | FGYYZ | -40°C to +85°C | TSOT23-6 |

1. Stresses above those listed in Absolute Maximum Ratings may cause permanent damage to the device. Functional operation at conditions other than the operating conditions specified is not implied. Only one Absolute Maximum rating should be applied at any one time.

2. Junction to Ambient thermal resistance is highly dependent on PCB layout. Values are based on thermal properties of the device when soldered to an EV board.

3. "YYZ" is the date code and assembly code.

Electrical Characteristics⁴

Unless otherwise noted, the *Min* and *Max* specs are applied over the full operation temperature range of -40°C to $+85^{\circ}\text{C}$, while *Typ* values are specified at room temperature (25°C). $V_{\text{IN}} = 3.6\text{V}$.

| Symbol | Description | Conditions | Min | Typ | Max | Units |
|--------------------------|--|---|----------|------|------|---------------|
| IC Supply | | | | | | |
| V_{IN} | Input operating range | | 2.7 | | 5.5 | V |
| UVLO | Input under voltage lockout | Rising edge | | 2.5 | 2.65 | V |
| UVLO _{HYST} | UVLO hysteresis | | | 0.15 | | V |
| I_{Q} | IC standby current | Not switching | | 0.28 | 0.5 | mA |
| | IC operating current | Switching | | 0.7 | 1.65 | mA |
| I_{SHDN} | V_{IN} pin shutdown current | CTRL = GND | | 0.1 | 1.0 | μA |
| Step-Up Converter | | | | | | |
| V_{FB} | FB pin accuracy | | 184 | 200 | 216 | mV |
| $V_{\text{FB_DATA}}$ | FB pin accuracy at Data = 26 | | 14.3 | 20.3 | 26.3 | mV |
| I_{FB} | FB pin bias current | | | | 0.1 | μA |
| $R_{\text{DS(ON)}}$ | NMOS on-resistance | $T_{\text{A}} = 25^{\circ}\text{C}$ | | 0.6 | | Ω |
| V_{D} | Internal diode forward voltage | 100mA | | 0.9 | | V |
| I_{LX} | LX pin leakage current | | | 1 | | μA |
| I_{LIM} | Peak NMOS current limit | | | 520 | | mA |
| $I_{\text{INRUSH-SU}}$ | Peak Inductor Current During Startup | KTD2801, $V_{\text{IN}} = 3.6\text{V}$, 10 LEDs, $I_{\text{LED}} = 20\text{mA}$, $L = 10\mu\text{H}$, $C_{\text{OUT}} = 0.47\mu\text{F}$ | | 400 | | mA |
| $I_{\text{INRUSH-OL}}$ | Peak Inductor Current During Open-Load Condition | KTD2801, $V_{\text{IN}} = 3.6\text{V}$, $L = 10\mu\text{H}$, $C_{\text{OUT}} = 0.47\mu\text{F}$, $V_{\text{OVP}} = 36\text{V}$ | | 450 | | mA |
| F_{SW} | Oscillator frequency | | | 1.0 | | MHz |
| D_{max} | Maximum duty cycle | | 92 | 95 | | % |
| OVP | Over voltage threshold | Measured at VOUT pin | KTD2801 | | 36 | V |
| | | | KTD2801A | | 30.2 | V |
| | | | KTD2801B | | 24.4 | V |

4. The KTD2801 is guaranteed to meet performance specifications over the -40°C to $+85^{\circ}\text{C}$ operating temperature range by design, characterization and correlation with statistical process controls.

Electrical Characteristics Continued⁵

| Symbol | Description | Conditions | Min | Typ | Max | Units |
|-----------------------|---|--------------------------|-----------------------|-----|-----|-------|
| Control | | | | | | |
| V _{TH-L} | CTRL logic low threshold | | | | 0.4 | V |
| V _{TH-H} | CTRL logic high threshold | | 1.4 | | | V |
| R _{CTRL} | CTRL pull down resistor | | | 300 | | kΩ |
| t _{off} | CTRL low pulse width to shutdown | CTRL high to low | 2.5 | | | ms |
| t _{EW_DET} | ExpressWire detection time ⁶ | | 260 | | | μs |
| t _{EW_DELAY} | ExpressWire detection delay time | | 140 | | | μs |
| t _{EW_WIN} | ExpressWire detection window time | | 1 | | | ms |
| t _{DS} | Start time of programming data | | 2 | | | μs |
| t _{EOD_H} | End of data high time | | 350 | | | μs |
| t _{EOD_L} | End of data low time | | 2 | | 64 | μs |
| t _{H_LB} | High time low bit | Logic 0 | 2 | | 64 | μs |
| t _{L_LB} | Low time low bit | Logic 0 | 2 x t _{H_LB} | | 128 | μs |
| t _{H_HB} | High time high bit | Logic 1 | 2 x t _{L_HB} | | 128 | μs |
| t _{L_HB} | Low time high bit | Logic 1 | 2 | | 64 | μs |
| f _{DIM} | Recommended PWM dimming frequency | | 5 | | 100 | kHz |
| D _{DIM} | PWM dimming duty cycle resolution | f _{DIM} = 20kHz | 2 | | | % |
| | | f _{DIM} = 30kHz | 3 | | | % |
| T _{J-TH} | IC junction thermal shutdown threshold | | | 150 | | °C |
| | IC junction thermal shutdown hysteresis | | | 15 | | °C |

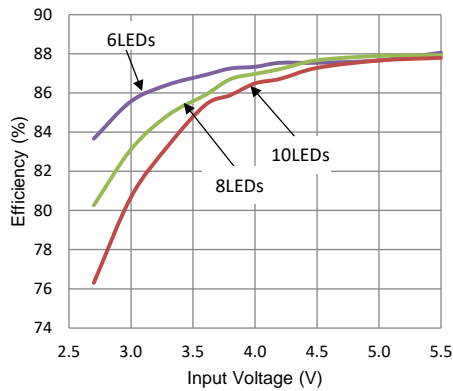
5. The KTD2801 is guaranteed to meet performance specifications over the -40°C to +85°C operating temperature range by design, characterization and correlation with statistical process controls.

6. To select ExpressWire programming, the CTRL pin must be low for more than t_{EW_DET} during t_{EW_WIN}.

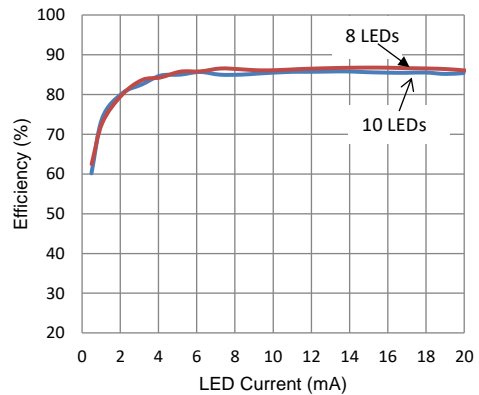
Typical Characteristics

$V_{IN} = 3.6V$, $L = 22\mu H$ (Coilcraft LPS4018-223), $C_{IN} = 10\mu F$, $C_{OUT} = 0.47\mu F$ with 8 LEDs in series at 20mA, $T_{AMB} = 25^{\circ}C$, unless otherwise specified.

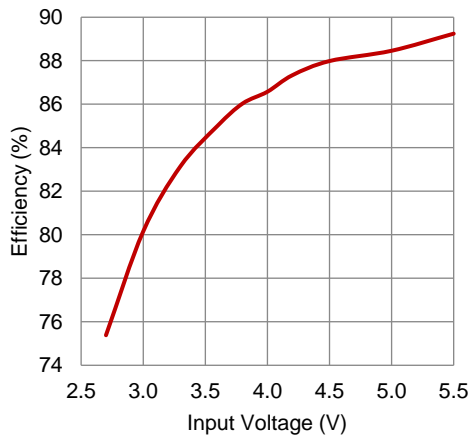
Efficiency vs. Input Voltage



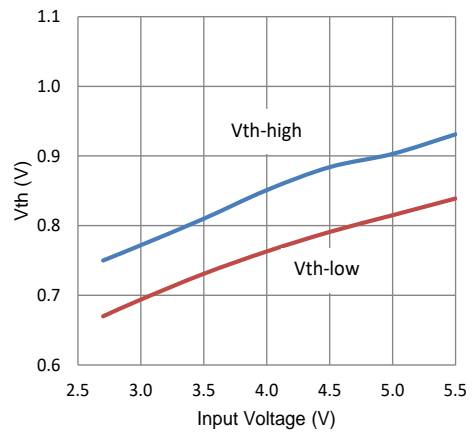
Efficiency vs. LED Current



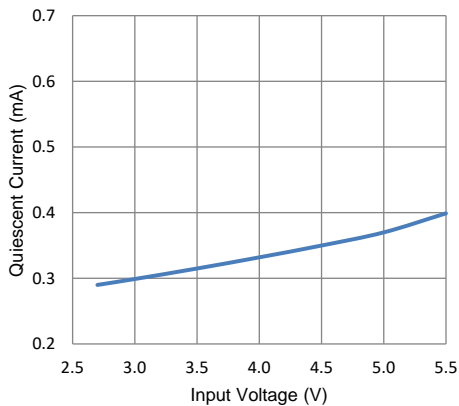
Efficiency vs. Input Voltage
($I_{out} = 40mA$, 2P6S LEDs)



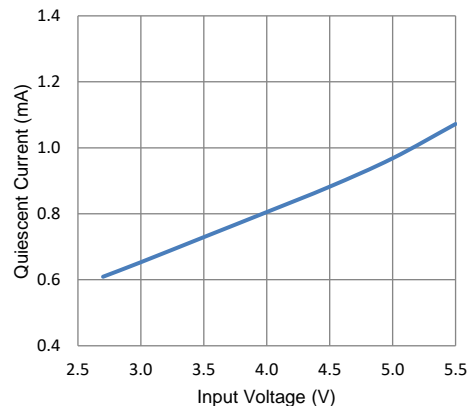
CTRL Logic Threshold Voltage



Quiescent Current (non-switching)



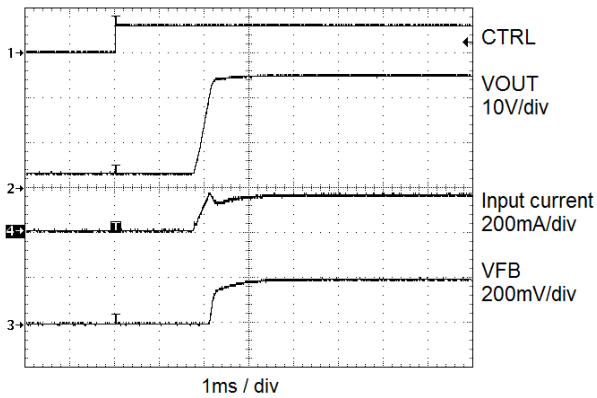
Operating Current (switching)



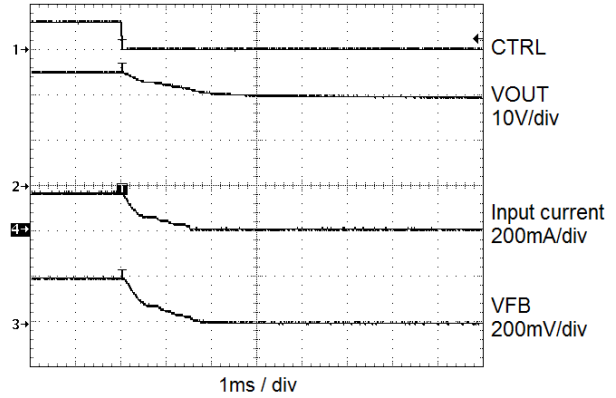
Typical Characteristics (continued)

$V_{IN} = 3.6V$, $L = 22\mu H$, $C_{IN} = 10\mu F$, $C_{OUT} = 0.47\mu F$ with 8 LEDs in series at 20mA, $T_{AMB} = 25^{\circ}C$, unless otherwise specified.

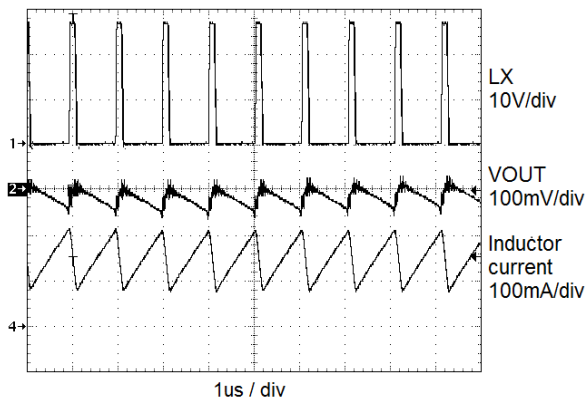
Soft Start Turn On



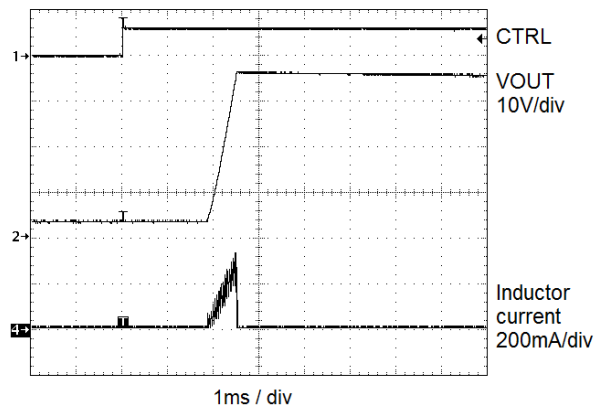
Turn Off



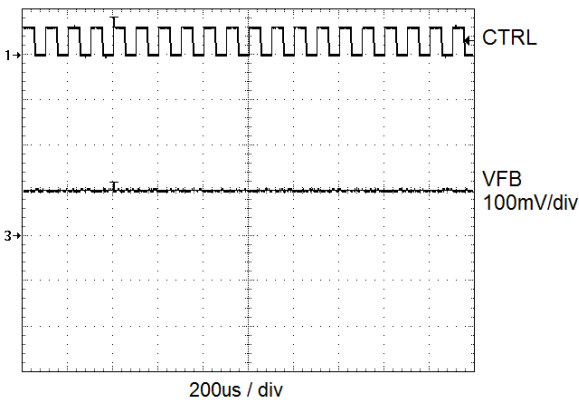
Steady State Switching



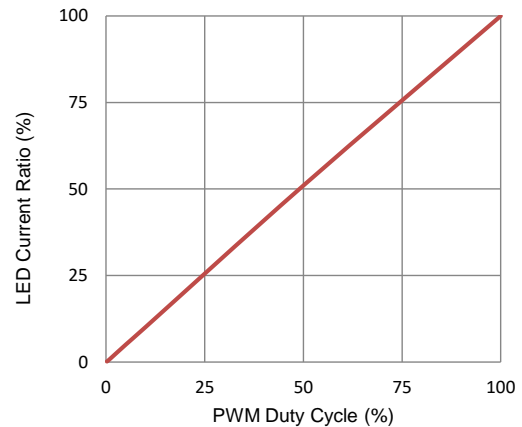
Turn On with LED Open (OVP)



PWM Dimming (10kHz, 50% duty cycle)

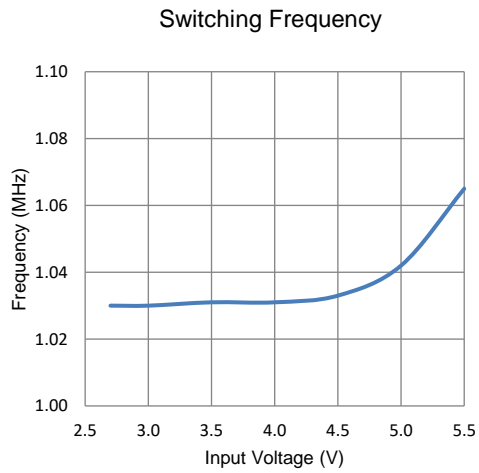


PWM Dimming Linearity (20kHz)

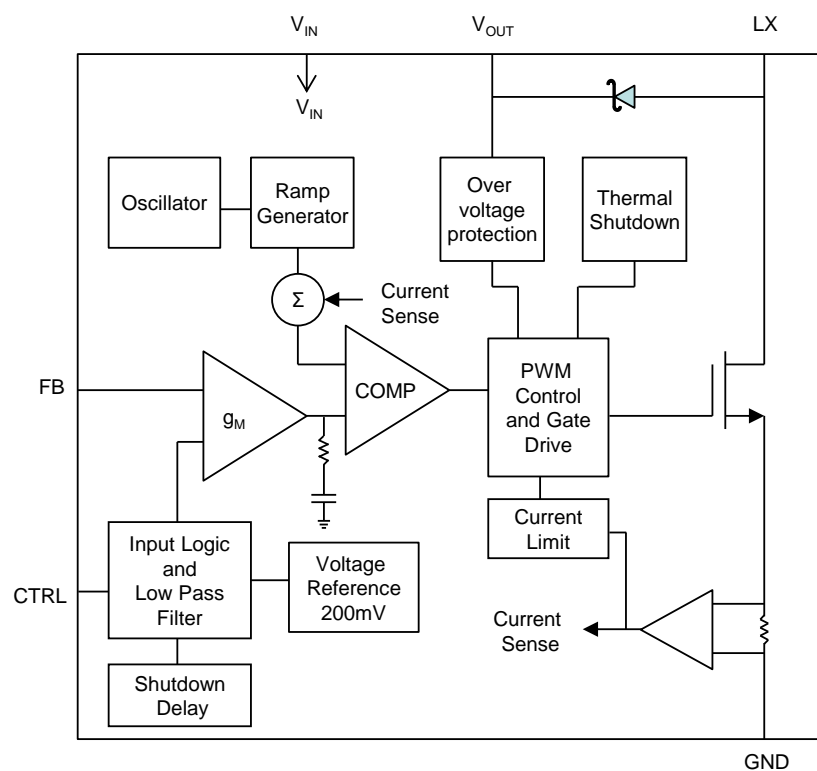


Typical Characteristics (continued)

$V_{IN} = 3.6V$, $L = 22\mu H$, $C_{IN} = 10\mu F$, $C_{OUT} = 0.47\mu F$ with 8 LEDs in series at 20mA, $T_{AMB} = 25^{\circ}C$, unless otherwise specified.



Functional Block Diagram



Functional Description

The KTD2801/A/B uses a constant-frequency current-mode boost converter architecture to control the LED current by regulating the feedback voltage. Please refer to the functional block diagram above for an explanation of the device operation. At the beginning of each switching cycle, the internal power MOSFET turns on between the LX node and GND. A slope compensation ramp is added to the output of the current sense amplifier and the result is fed into the positive input of the comparator (COMP). When this voltage goes above the output voltage of the error amplifier (g_M), the power MOSFET is turned off. The voltage at the output of the g_M block amplifies the difference between the reference voltage and the feedback voltage (FB), so that FB voltage can be regulated to the reference voltage.

The driver has built-in soft-start to limit the inrush current during startup and to limit the amount of overshoot on the output. Protection features in the KTD2801 include over-voltage protection (OVP), cycle-by-cycle current limit protection and thermal shutdown. OVP protects in the event where an LED fails open, which forces the feedback voltage to zero. This causes the boost converter to operate in maximum duty cycle mode, ramping up the output voltage. Switching will stop when the output reaches the OVP threshold. The OVP feature protects the IC from damaging itself by exceeding the voltage rating on LX/VOUT pins.

The control interface can be used for either PWM dimming or ExpressWire™ single-wire control. In ExpressWire mode, it accepts a data set into the CTRL pin to program the reference voltage. The data contains 8 bits, yielding 256 different current levels. In PWM dimming mode, PWM pulse is provided at CTRL pin to program the reference voltage according to the duty cycle of the PWM signal, so that the LED current is proportional to the PWM duty cycle. The simplest control method is accomplished by toggling CTRL between high and low to program the output current between I_{MAX} and 0mA. I_{MAX} is set by the resistor connected between FB and GND. Please see LED Maximum Current Setting section in this document to determine the proper resistor value.

The KTD2801 enters shutdown mode whenever the CTRL input pin is pulled low for more than 2.5ms.

Dimming Mode Selection

KTD2801 CTRL pin can be used for both PWM dimming and ExpressWire™ dimming. The dimming mode is selected when the IC is enabled. By default, the dimming mode is PWM dimming.

To use ExpressWire™ dimming, the first few pulses at CTRL pin should meet the following timing requirement shown in Figure 1.

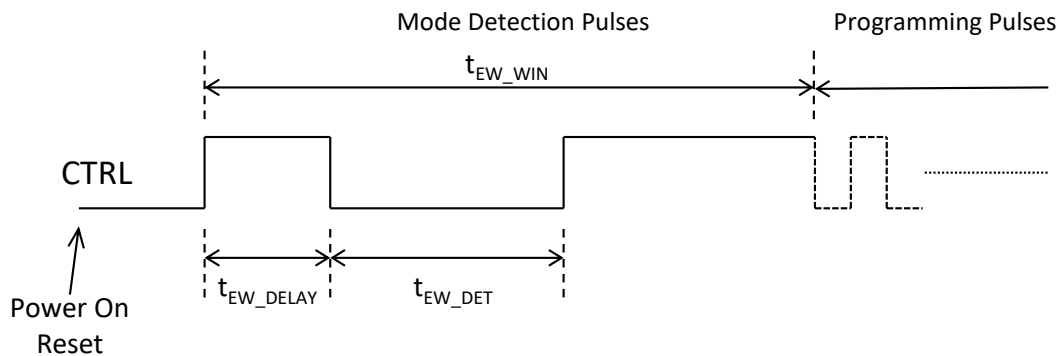


Figure 1. Dimming Mode Detection Pulses

1. After the IC is powered up, CTRL's 1st pulse high width (ExpressWire detection delay time) t_{EW_DELAY} should be greater than 140 μ s.
2. CTRL's 1st pulse low width (ExpressWire detection time) t_{EW_DET} should be greater than 260 μ s.
3. The programming pulses should be started within the ExpressWire detection window t_{EW_WIN} , which is 1ms. Otherwise the default setting or previous stored setting will be used to set the reference voltage.

Once CTRL's initial pulses meet the above timing requirement, the IC enters ExpressWire dimming mode. Then the user can continue to send programming pulses to adjust the reference voltage. Once ExpressWire dimming mode is selected, the IC can only change to PWM dimming mode by resetting the IC through CTRL pin or power on reset.

PWM Brightness Dimming Using CTRL Pin

After the IC is power reset, driving the CTRL pin continuously high will result in the FB voltage regulated at 200mV nominal. However, the CTRL pin allows a PWM signal (5kHz to 100kHz) to reduce this regulation voltage to control LED brightness dimming. The relationship between the duty cycle and FB voltage is given by the equation:

$$V_{FB} = DC \times 200mV$$

Where DC is the duty cycle of the PWM signal applied to CTRL pin, and 200mV is the default internal reference voltage.

KTD2801 internally applies the PWM input signal to the 200mV reference voltage which creates a 200mV (peak) signal with the same duty cycle as the PWM input signal. This is fed into an RC low pass filter which gives a DC voltage proportional to the duty cycle of the PWM signal. This voltage is connected to the error amplifier as the reference voltage for the FB pin regulation. This means the PWM signal controls the current via translation to a DC signal to accomplish analog dimming. The advantage of this method is the elimination of audible noise which can occur when the LED current is pulsed at the frequency of the PWM dimming signal. For best performance, the PWM dimming frequency should be in the range of 5kHz to 100kHz. The minimum frequency requirement is determined by the ExpressWire detection delay and detection time specification in described in Dimming Mode Selection.

ExpressWire™ Dimming Using CTRL Pin

The CTRL pin features a ExpressWire™ digital interface to program LED brightness. KTD2801 uses the ExpressWire protocol for digital dimming, which can program the FB voltage to 256 linear steps, shown in Table 1. The default step is full scale when the device is first enabled ($V_{FB} = 200$ mV). The programmed reference voltage is stored in an internal register. A power reset will bring the value back to the default setting; however, using CTRL to shut down the IC will not reset the internal register. Restarting the IC to ExpressWire dimming mode without setting the new FB voltage value will set the FB voltage back to the previous setting before the IC is shut down by CTRL pin.

Table 1. ExpressWire™ Interface – FB Voltage Programming Table

| Code | V _{FB} (mV) | Code | V _{FB} (mV) | Code | V _{FB} (mV) | Code | V _{FB} (mV) | Code | V _{FB} (mV) | Code | V _{FB} (mV) | Code | V _{FB} (mV) | Code | V _{FB} (mV) |
|------|----------------------|------|----------------------|------|----------------------|------|----------------------|------|----------------------|------|----------------------|------|----------------------|------|----------------------|
| 0 | 0.78 | 32 | 25.78 | 64 | 50.78 | 96 | 75.78 | 128 | 100.78 | 160 | 125.78 | 192 | 150.78 | 224 | 175.78 |
| 1 | 1.56 | 33 | 26.56 | 65 | 51.56 | 97 | 76.56 | 129 | 101.56 | 161 | 126.56 | 193 | 151.56 | 225 | 176.56 |
| 2 | 2.34 | 34 | 27.34 | 66 | 52.34 | 98 | 77.34 | 130 | 102.34 | 162 | 127.34 | 194 | 152.34 | 226 | 177.34 |
| 3 | 3.13 | 35 | 28.13 | 67 | 53.13 | 99 | 78.13 | 131 | 103.13 | 163 | 128.13 | 195 | 153.13 | 227 | 178.13 |
| 4 | 3.91 | 36 | 28.91 | 68 | 53.91 | 100 | 78.91 | 132 | 103.91 | 164 | 128.91 | 196 | 153.91 | 228 | 178.91 |
| 5 | 4.69 | 37 | 29.69 | 69 | 54.69 | 101 | 79.69 | 133 | 104.69 | 165 | 129.69 | 197 | 154.69 | 229 | 179.69 |
| 6 | 5.47 | 38 | 30.47 | 70 | 55.47 | 102 | 80.47 | 134 | 105.47 | 166 | 130.47 | 198 | 155.47 | 230 | 180.47 |
| 7 | 6.25 | 39 | 31.25 | 71 | 56.25 | 103 | 81.25 | 135 | 106.25 | 167 | 131.25 | 199 | 156.25 | 231 | 181.25 |
| 8 | 7.03 | 40 | 32.03 | 72 | 57.03 | 104 | 82.03 | 136 | 107.03 | 168 | 132.03 | 200 | 157.03 | 232 | 182.03 |
| 9 | 7.81 | 41 | 32.81 | 73 | 57.81 | 105 | 82.81 | 137 | 107.81 | 169 | 132.81 | 201 | 157.81 | 233 | 182.81 |
| 10 | 8.59 | 42 | 33.59 | 74 | 58.59 | 106 | 83.59 | 138 | 108.59 | 170 | 133.59 | 202 | 158.59 | 234 | 183.59 |
| 11 | 9.38 | 43 | 34.38 | 75 | 59.38 | 107 | 84.38 | 139 | 109.38 | 171 | 134.38 | 203 | 159.38 | 235 | 184.38 |
| 12 | 10.16 | 44 | 35.16 | 76 | 60.16 | 108 | 85.16 | 140 | 110.16 | 172 | 135.16 | 204 | 160.16 | 236 | 185.16 |
| 13 | 10.94 | 45 | 35.94 | 77 | 60.94 | 109 | 85.94 | 141 | 110.94 | 173 | 135.94 | 205 | 160.94 | 237 | 185.94 |
| 14 | 11.72 | 46 | 36.72 | 78 | 61.72 | 110 | 86.72 | 142 | 111.72 | 174 | 136.72 | 206 | 161.72 | 238 | 186.72 |
| 15 | 12.50 | 47 | 37.50 | 79 | 62.50 | 111 | 87.50 | 143 | 112.50 | 175 | 137.50 | 207 | 162.50 | 239 | 187.50 |
| 16 | 13.28 | 48 | 38.28 | 80 | 63.28 | 112 | 88.28 | 144 | 113.28 | 176 | 138.28 | 208 | 163.28 | 240 | 188.28 |
| 17 | 14.06 | 49 | 39.06 | 81 | 64.06 | 113 | 89.06 | 145 | 114.06 | 177 | 139.06 | 209 | 164.06 | 241 | 189.06 |
| 18 | 14.84 | 50 | 39.84 | 82 | 64.84 | 114 | 89.84 | 146 | 114.84 | 178 | 139.84 | 210 | 164.84 | 242 | 189.84 |
| 19 | 15.63 | 51 | 40.63 | 83 | 65.63 | 115 | 90.63 | 147 | 115.63 | 179 | 140.63 | 211 | 165.63 | 243 | 190.63 |
| 20 | 16.41 | 52 | 41.41 | 84 | 66.41 | 116 | 91.41 | 148 | 116.41 | 180 | 141.41 | 212 | 166.41 | 244 | 191.41 |
| 21 | 17.19 | 53 | 42.19 | 85 | 67.19 | 117 | 92.19 | 149 | 117.19 | 181 | 142.19 | 213 | 167.19 | 245 | 192.19 |
| 22 | 17.97 | 54 | 42.97 | 86 | 67.97 | 118 | 92.97 | 150 | 117.97 | 182 | 142.97 | 214 | 167.97 | 246 | 192.97 |
| 23 | 18.75 | 55 | 43.75 | 87 | 68.75 | 119 | 93.75 | 151 | 118.75 | 183 | 143.75 | 215 | 168.75 | 247 | 193.75 |
| 24 | 19.53 | 56 | 44.53 | 88 | 69.53 | 120 | 94.53 | 152 | 119.53 | 184 | 144.53 | 216 | 169.53 | 248 | 194.53 |
| 25 | 20.31 | 57 | 45.31 | 89 | 70.31 | 121 | 95.31 | 153 | 120.31 | 185 | 145.31 | 217 | 170.31 | 249 | 195.31 |
| 26 | 21.09 | 58 | 46.09 | 90 | 71.09 | 122 | 96.09 | 154 | 121.09 | 186 | 146.09 | 218 | 171.09 | 250 | 196.09 |
| 27 | 21.88 | 59 | 46.88 | 91 | 71.88 | 123 | 96.88 | 155 | 121.88 | 187 | 146.88 | 219 | 171.88 | 251 | 196.88 |
| 28 | 22.66 | 60 | 47.66 | 92 | 72.66 | 124 | 97.66 | 156 | 122.66 | 188 | 147.66 | 220 | 172.66 | 252 | 197.66 |
| 29 | 23.44 | 61 | 48.44 | 93 | 73.44 | 125 | 98.44 | 157 | 123.44 | 189 | 148.44 | 221 | 173.44 | 253 | 198.44 |
| 30 | 24.22 | 62 | 49.22 | 94 | 74.22 | 126 | 99.22 | 158 | 124.22 | 190 | 149.22 | 222 | 174.22 | 254 | 199.22 |
| 31 | 25.00 | 63 | 50.00 | 95 | 75.00 | 127 | 100.00 | 159 | 125.00 | 191 | 150.00 | 223 | 175.00 | 255 | 200.00 |

The ExpressWire™ protocol consists of 8 data bits in conjunction with DS (Data Start) and EOD (End Of Data) for acknowledge condition of data bit.

The protocol starts from DS time for data input and ends with EOD time to recognize the end of data. Figure 2 shows the ExpressWire™ interface protocol.

The Low Bit(0) and High Bit(1) is based on a time detection algorithms between t_{LOW} and t_{HIGH} .

The t_{L_LB} is low time of the Low Bit(0) and the t_{H_LB} is high time of the Low Bit(0).

The t_{L_HB} is low time of the High Bit(1) and the t_{H_HB} is high time of the High Bit(1).

It can be simplified to :

Low Bit(0) : $t_{H_LB} < t_{L_LB}$, but with t_{L_LB} at least $2x t_{H_LB}$ (see Figure 2)

High Bit(1) : $t_{H_HB} > t_{L_HB}$, but with t_{H_HB} at least $2x t_{L_HB}$ (see Figure 2)

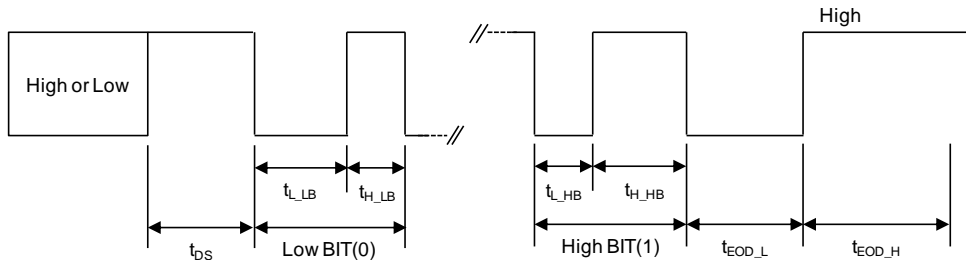


Figure 2. ExpressWire™ Interface – bit Coding Time

ExpressWire™ Interface Protocol

Output control and programmability is achieved by using the CTRL pin. Refer to the figures below for further explanation of the interface protocol.

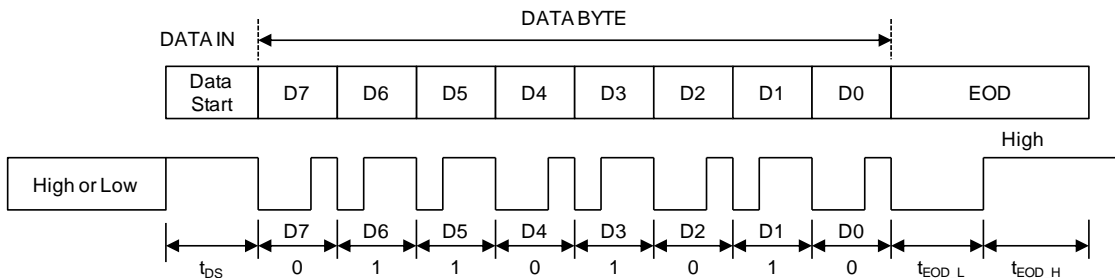


Figure 3. ExpressWire™ Interface Protocol Overview

Table 2. CTRL Data Bit Table

| IC PIN | Byte | Bit Number | Name | Direction | Description |
|--------|-----------|------------|------|-----------|-------------|
| CTRL | Data Byte | 7 (MSB) | D7 | Input | DATA BIT 7 |
| | | 6 | D6 | | DATA BIT 6 |
| | | 5 | D5 | | DATA BIT 5 |
| | | 4 | D4 | | DATA BIT 4 |
| | | 3 | D3 | | DATA BIT 3 |
| | | 2 | D2 | | DATA BIT 2 |
| | | 1 | D1 | | DATA BIT 1 |
| | | 0 (LSB) | D0 | | DATA BIT 0 |

Table 3. CTRL – Disable Control

| IC PIN | Control | Description |
|--------|--------------------|-------------------|
| CTRL | Low (> 2.5ms) | - Device Shutdown |

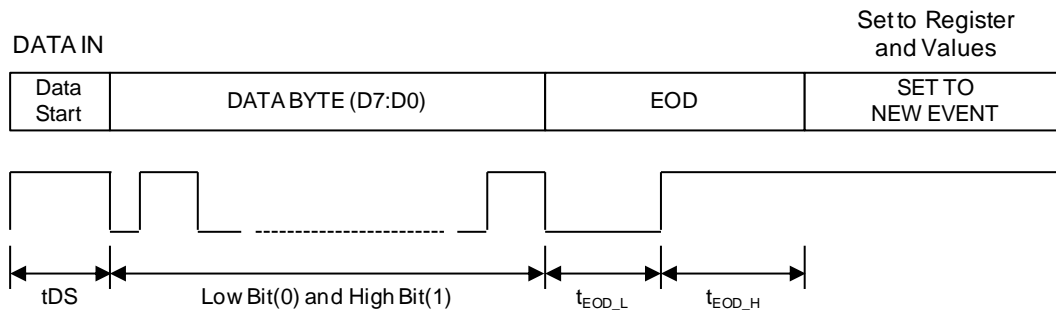


Figure 4. ExpressWire™ Interface – Set to Data Register Overview

LED Maximum Current Setting

LED maximum current setting, I_{MAX} , is determined by the feedback resistor R1 (connected between FB and GND pins). The feedback voltage is internally set at 200mV at 100% dimming setting. The LED current is programmed according to the formula $I_{MAX} = 200mV / R1$. For accurate LED current settings, precision 1% resistors are recommended. The formula and table for R1 selection are shown below.

$$R1 = 200mV / I_{MAX}$$

Table 4. Current Setting Resistor (1%Values)

| R1 (Ω) 1% Values | IMAX Current (mA) |
|---------------------|----------------------|
| 200.0 | 1 |
| 40.2 | 5 |
| 20.0 | 10 |
| 13.3 | 15 |
| 10.0 | 20 |
| 6.7 | 30 |
| 2.0 | 100 |

Application Information

Inductor Selection

A 10 μ H or 22 μ H inductor is recommended for the typical application. If high efficiency is a critical requirement, a low DCR inductor should be selected. The inductor's saturation current rating should also exceed the peak input current.

Table 5. Recommended Inductor Part Numbers

| Inductor Part Number | Value (μ H) | DCR (Ω) | Saturation Current (A) | Dimensions (mm) | Manufacturer |
|----------------------|------------------|------------------|------------------------|-----------------|--------------|
| LPS4018-103ML | 10 | 0.20 max | 1.3 | 4 x 4 x 1.8 | Coilcraft |
| LPS4018-223ML | 22 | 0.36 max | 0.74 | 4 x 4 x 1.8 | Coilcraft |
| VLF4012AT-100MR79 | 10 | 0.35 | 0.79 | 3.5 x 3.7 x 1.2 | TDK |
| VLF4014AT-100MR90 | 10 | 0.26 | 0.9 | 3.5 x 3.7 x 1.4 | TDK |
| VLCF5020T-100MR87 | 10 | 0.182 max | 0.87 | 5 x 5 x 2.0 | TDK |
| VLCF5020T-220MR58 | 22 | 0.373 max | 0.58 | 5 x 5 x 2.0 | TDK |

Capacitor Selection

Small size X5R or X7R ceramic capacitors are recommended for the KTD2801 application. A 10 μ F input capacitor and a 0.1 μ F to 0.47 μ F output capacitor are suggested for up to 10-series LED applications. To prevent too much inrush current during LED open load condition, output capacitor values larger than 0.47 μ F are not allowed for 10-series LED applications.

Table 6. Recommended Ceramic Capacitor Vendors

| Manufacturer | Website |
|--------------|--|
| Murata | www.murata.com |
| AVX | www.avx.com |
| Taiyo Yuden | www.t-yuden.com |

Optional Diode Selection

The KTD2801 has an integrated diode connected between LX and Vout. This internal diode provides excellent performance for up to 10-LED application; however, if more LEDs or higher efficiency is desired, an external low V_F diode can be placed in parallel with the internal diode. In this configuration, a Schottky diode is recommended in KTD2801 applications because of its low forward voltage drop and fast reverse recovery time. The current rating of the Schottky diode should exceed the peak current of the boost converter. The voltage rating should also exceed the target output voltage.

Table 7. Recommended Schottky Diode Part Numbers

| Application | Schottky Diode Part Number | Forward Voltage (V) | Forward Current (mA) | Reverse Voltage (V) | Manufacturer |
|----------------------------|----------------------------|---------------------|----------------------|---------------------|--------------|
| Up to 10 series LEDs | PMEG4005EJ | 0.42 | 500 | 40 | NXP |
| Up to 10 series LEDs | PMEG4010EJ | 0.54 | 1000 | 40 | NXP |
| 4/5/6-series LEDs, 24V OVP | B130 | 0.52 | 1000 | 30 | Vishay |
| 8/10-series LEDs, 36V OVP | B150 | 0.75 | 1000 | 50 | Vishay |

Typical Application Circuits

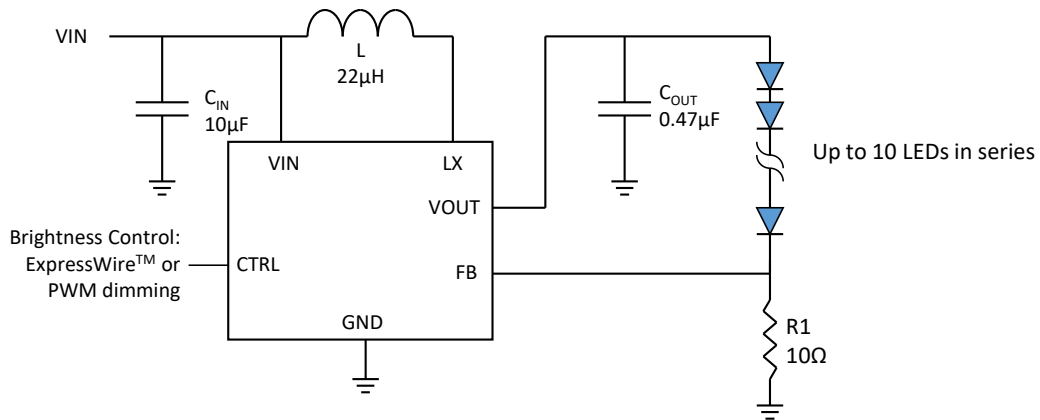


Figure 5. Application Circuit for 10 LEDs in Series at 20mA

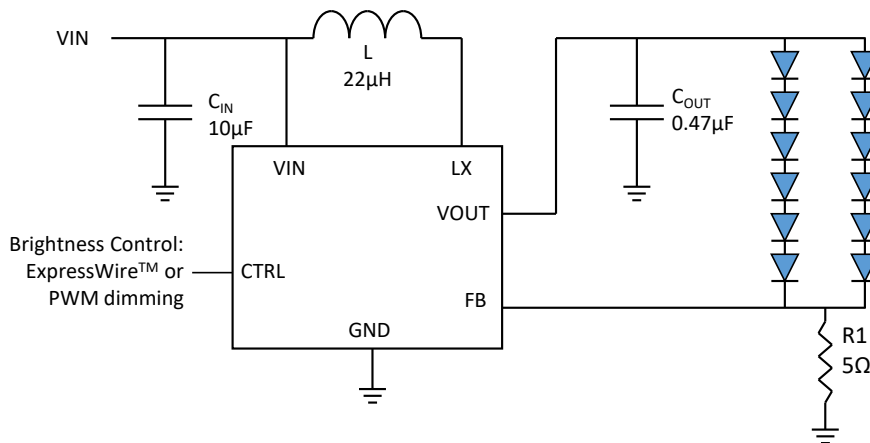


Figure 6. Application Circuit for 2P6S LEDs at 40mA Output Current

Layout Recommendation

PCB layout is very important for high frequency switching regulators in order to keep the loop stable and minimize noise. The input capacitor CIN should be very close to the IC to get the best decoupling. The traces to the inductor L and output capacitor COUT should be kept as short as possible to minimize noise and ringing. FB is a sensitive node and it should be kept separate from the LX switching node in the PCB layout.

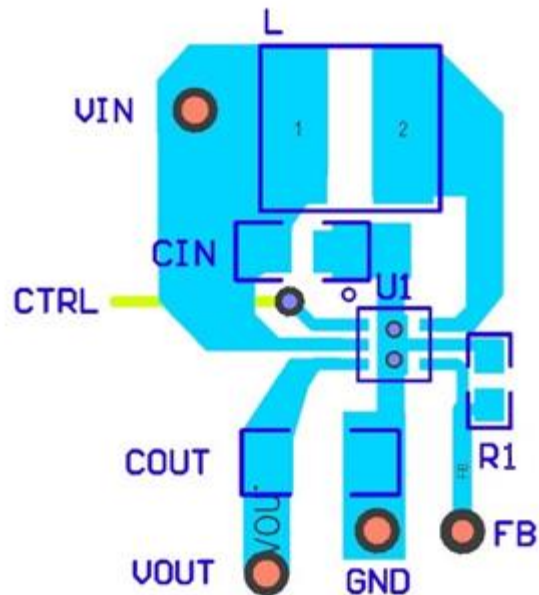
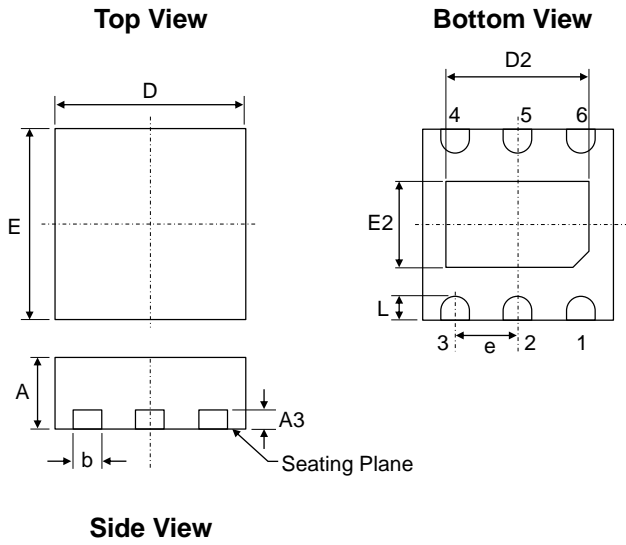


Figure 7. Recommended PCB Layout for TDFN22-6 Package

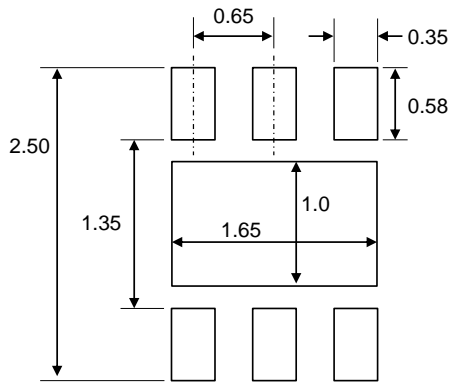
Packaging Information

TDFN22-6



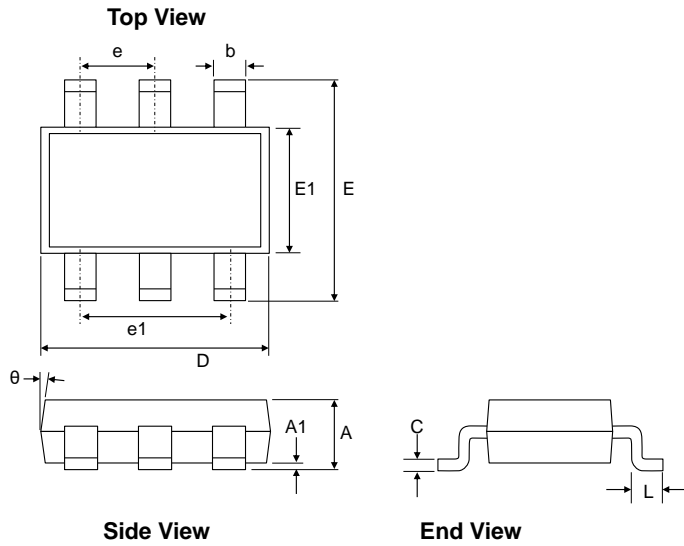
| Dimension | mm | | |
|-----------|---------|------|------|
| | Min. | Typ. | Max. |
| A | 0.70 | 0.75 | 0.80 |
| A3 | 0.2BSC | | |
| b | 0.25 | 0.30 | 0.35 |
| D | 1.90 | 2.00 | 2.10 |
| D2 | 1.40 | 1.50 | 1.60 |
| E | 1.90 | 2.00 | 2.10 |
| E2 | 0.80 | 0.90 | 1.00 |
| e | 0.65BSC | | |
| L | 0.20 | 0.25 | 0.30 |

Recommended Footprint



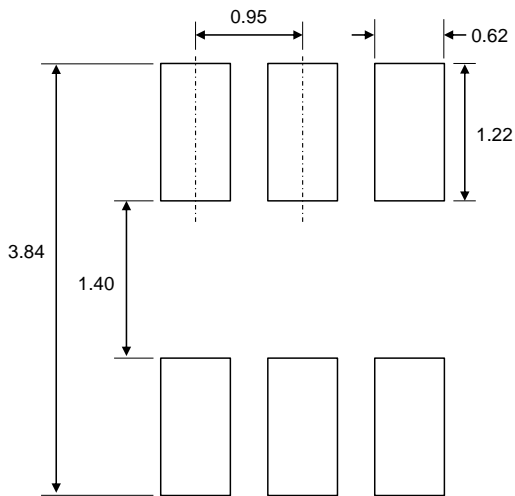
* Dimensions are in millimeters.

TSOT23-6



| Dimension | mm | | |
|-----------|---------|------|------|
| | Min. | Typ. | Max. |
| A | 0.60 | 0.85 | 1.10 |
| A1 | 0.00 | 0.05 | 0.10 |
| b | 0.30 | 0.40 | 0.50 |
| c | 0.10 | 0.15 | 0.20 |
| D | 2.70 | 2.90 | 3.10 |
| E | 2.60 | 2.80 | 3.00 |
| E1 | 1.40 | 1.60 | 1.80 |
| e | 0.95BSC | | |
| e1 | 1.9BSC | | |
| L | 0.30 | | 0.60 |
| θ | 4° | | 12° |

Recommended Footprint



* Dimensions are in millimeters.

Kinetic Technologies cannot assume responsibility for use of any circuitry other than circuitry entirely embodied in a Kinetic Technologies product. No intellectual property or circuit patent licenses are implied. Kinetic Technologies reserves the right to change the circuitry and specifications without notice at any time.

Данный компонент на территории Российской Федерации

Вы можете приобрести в компании MosChip.

Для оперативного оформления запроса Вам необходимо перейти по данной ссылке:

<http://moschip.ru/get-element>

Вы можете разместить у нас заказ для любого Вашего проекта, будь то серийное производство или разработка единичного прибора.

В нашем ассортименте представлены ведущие мировые производители активных и пассивных электронных компонентов.

Нашей специализацией является поставка электронной компонентной базы двойного назначения, продукции таких производителей как XILINX, Intel (ex.ALTERA), Vicor, Microchip, Texas Instruments, Analog Devices, Mini-Circuits, Amphenol, Glenair.

Сотрудничество с глобальными дистрибьюторами электронных компонентов, предоставляет возможность заказывать и получать с международных складов практически любой перечень компонентов в оптимальные для Вас сроки.

На всех этапах разработки и производства наши партнеры могут получить квалифицированную поддержку опытных инженеров.

Система менеджмента качества компании отвечает требованиям в соответствии с ГОСТ Р ИСО 9001, ГОСТ РВ 0015-002 и ЭС РД 009

Офис по работе с юридическими лицами:

105318, г.Москва, ул.Щербаковская д.3, офис 1107, 1118, ДЦ «Щербаковский»

Телефон: +7 495 668-12-70 (многоканальный)

Факс: +7 495 668-12-70 (доб.304)

E-mail: info@moschip.ru

Skype отдела продаж:

moschip.ru

moschip.ru_4

moschip.ru_6

moschip.ru_9