

9mm Single Metal Shaft, Multi-Ganged Series

Application

- ✓ Audio, Home appliance, Automotive, Communication, and Others



Feature

- ✓ Durable Structure with less wobble metal shaft

■Specification

| | |
|---------------------------------------|----------------------------|
| Total Rotational Angle | 300±5° |
| Maximum Operating Voltage | 50V AC |
| Insulation Resistance | More than 100MΩ at 250V DC |
| Dielectric Strength | 300V AC , 1 minute |
| Rotational Torque | 20-250 gf.cm |
| Rotational Stop Strength of the Shaft | 4 kgf.cm / Min. |
| Rotation Life | 15,000 cycles |

■How to order

RD901F-20 E1 - 15F - B10K - 00D

Model

EX. RD901F - Single unit
RD902F - Dual units

Bracket

| Order Code | Description |
|------------|-----------------|
| Blank | Without Bracket |
| 00D | With Bracket |

Bushing Type

| Order Code | Dimensions | |
|------------|------------|------|
| Blank | Ø7mm | 5mm |
| B3 | Ø7mm | 7mm |
| B6 | Ø7mm | 10mm |
| E1 | Ø9mm | 5mm |
| E3 | Ø9mm | 7mm |
| E6 | Ø9mm | 10mm |

Shaft Type

Taper and Resistance Value

| Order Code | Taper | Resistance Value |
|------------|-----------|------------------|
| A100K | Log/A | 100KΩ |
| B1M | Linear/B | 1MΩ |
| C500K | Rev-log/C | 500KΩ |

Taper: A, B and C

Resistance Value: 1KΩ to 500KΩ and 1MΩ

*Contact us for other requirements.

9mm Single Metal Shaft, Multi-Ganged Series

■ Model Description

| Model | Number of Unit | Terminal Type | With Switch | With Bracket |
|---------------------------------------|----------------|---------------|-------------------------------|-----------------|
| RD901F-20 | Single Unit | Horizontal | Without Switch | Without Bracket |
| RD902F-20 | Dual Units | Horizontal | Without Switch | Without Bracket |
| RD902F-22 | Dual Units | Horizontal | Without Switch | Without Bracket |
| RD904F-20 | Four Units | Horizontal | Without Switch | Without Bracket |
| RD902PF-20B6 | Dual Units | Horizontal | Without Switch | Without Bracket |
| RD901F-20E1-00D | Single Unit | Horizontal | Without Switch | With Bracket |
| RD901F-40E1/E3/E6-00D | Single Unit | Vertical | Without Switch | With Bracket |
| RD902F-20E1/E3/E6-00D | Dual Units | Horizontal | Without Switch | With Bracket |
| RD901F-40-00D | Single Unit | Vertical | Without Switch | With Bracket |
| RD902F-40-00D | Dual Units | Vertical | Without Switch | With Bracket |
| RD901SF-20 | Single Unit | Horizontal | Rotary Switch (S.P.S.T) | Without Bracket |
| RD9010PF-20 | Single Unit | Horizontal | Push Switch (S.P.S.T) | Without Bracket |
| RD901B21F-20 | Single Unit | Horizontal | Push-Pull Switch (S.P.D.T) | Without Bracket |
| RD901B22F-20 | Single Unit | Horizontal | Push-Pull Switch (D.P.D.T) | Without Bracket |
| RD902B21F-20 | Dual Units | Horizontal | Push-Pull Switch (S.P.D.T) | Without Bracket |
| RD902B22F-20 | Dual Units | Horizontal | Push-Pull Switch (D.P.D.T) | Without Bracket |

[Back to top](#)

POTENTIOMETERS



9mm Single Metal Shaft, Multi-Ganged Series

| Order Code | Outline Drawing |
|--|---|
| <p>RD901F-20</p>  |  <p>SHAFT SHOWN IN FULL C.C.W. POSITION</p> |
| <p>RD902F-20</p>  |  <p>SHAFT SHOWN IN FULL C.C.W. POSITION</p> |
| <p>RD902F-22</p>  |  <p>SHAFT SHOWN IN FULL C.C.W. POSITION</p> |
| <p>RD904F-20</p>  |  <p>SHAFT SHOWN IN FULL C.C.W. POSITION</p> |

[Back to top](#)

9mm Single Metal Shaft, Multi-Ganged Series

| Order code | Outline Drawing |
|--|---|
| <p>RD902PF-20B6</p>  |  <p>SHAFT SHOWN IN FULL C.C.W. POSITION</p> <p>RD901PF (single unit) is also available.</p> |
| <p>RD901F-20E1-00D</p>  |  <p>SHAFT SHOWN IN FULL C.C.W. POSITION</p> |
| <p>RD901F-40E1/40E3/40E6-00D</p>  |  <p>SHAFT SHOWN IN FULL C.C.W. POSITION</p> |
| <p>RD902F-20E1/20E3/20E6-00D</p>  |  <p>SHAFT SHOWN IN FULL C.C.W. POSITION</p> |

[Back to top](#)

9mm Single Metal Shaft, Multi-Ganged Series

| Order code | Outline Drawing |
|---|--|
| <p>RD901F-40-00D</p>  |  <p>SHAFT SHOWN IN FULL C.C.W. POSITION</p> <p>P.C.B. MOUNTING HOLE DETAIL</p> <p>● 300° ROTATION MONO UNIT</p> <p>CIRCUIT</p> |
| <p>RD902F-40-00D</p>  |  <p>SHAFT SHOWN IN FULL C.C.W. POSITION</p> <p>P.C.B. MOUNTING HOLE DETAIL</p> <p>● 300° ROTATION DUAL UNIT</p> <p>CIRCUIT</p> |
| <p>RD901SF-20</p>  |  <p>SHAFT SHOWN IN FULL C.C.W. POSITION</p> <p>P.C.B. MOUNTING HOLE DETAIL</p> <p>● 300° ROTATION SINGLE UNIT WITH SWITCH (SW ROTARY SWITCH) S.P.S.T. D.C 12V 3A</p> <p>CIRCUIT</p> <p>RD902SF (dual units) is also available.</p> |
| <p>RD9010PF-20</p>  |  <p>SHAFT SHOWN IN FULL C.C.W. POSITION</p> <p>P.C.B. MOUNTING HOLE DETAIL</p> <p>● 300° ROTATION SINGLE UNIT WITH SWITCH SW PUSH SWITCH DC 12V 0.3A</p> <p>CIRCUIT</p> <p>RD9020PF (dual units) is also available.</p> |

[Back to top](#)

POTENTIOMETERS



ALPHA

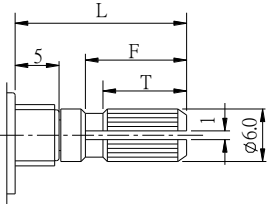
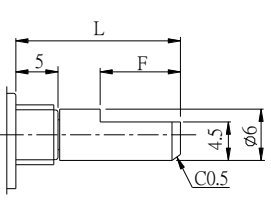
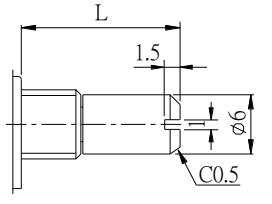
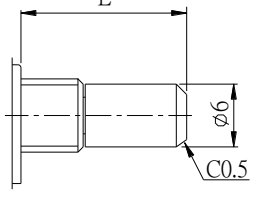
9mm Single Metal Shaft, Multi-Ganged Series

| Order code | Outline Drawing |
|--|--|
| <p>RD901B21F-20(S.P.D.T)</p>  |  <p>SHAFT SHOWN IN FULL C.C.W. POSITION</p> <p>300° ROTATION SINGLE UNIT WITH SWITCH (SW PUSH PULL SWITCH)</p> <p>MOUNTING SURFACE</p> <p>P.C.B. MOUNTING HOLE DETAIL</p> <p>CIRCUIT</p> |
| <p>RD901B22F-20(D.P.D.T)</p>  |  <p>SHAFT SLOT IS OPTIONAL ANGLE</p> <p>300° ROTATION SINGLE UNIT WITH SWITCH (SW PUSH PULL SWITCH)</p> <p>MOUNTING SURFACE</p> <p>P.C.B. MOUNTING HOLE DETAIL</p> <p>CIRCUIT</p> |
| <p>RD902B21F-20(S.P.D.T)</p>  |  <p>SHAFT SHOWN IN FULL C.C.W. POSITION</p> <p>300° ROTATION DUAL UNIT WITH SWITCH (SW PUSH-PULL SWITCH)</p> <p>MOUNTING SURFACE</p> <p>P.C.B. MOUNTING HOLE DETAIL</p> <p>CIRCUIT</p> |
| <p>RD902B22F-20(D.P.D.T)</p>  |  <p>SHAFT SHOWN IN FULL C.C.W. POSITION</p> <p>300° ROTATION DUAL UNIT WITH SWITCH (SW PUSH-PULL SWITCH)</p> <p>MOUNTING SURFACE</p> <p>P.C.B. MOUNTING HOLE DETAIL</p> <p>CIRCUIT</p> |

[Back to top](#)

9mm Single Metal Shaft, Multi-Ganged Series

■ Shaft Type

| Order Code | (L)K | (L)F | (L)S | (L)R |
|---------------------------|---|---|--|---|
| Shaft Type | 18 Teeth knurled | Flat shaft | Slotted shaft | Round shaft |
| Dimensions |  |  |  |  |
| Standard Shaft Length (L) | 15, 20, 25,30 | | | |

Design and specifications presented here are for the standard parts only. Please kindly contact us for your special requests and ask for the current technical specifications before purchase and/or use.

[Back to top](#)

Mouser Electronics

Authorized Distributor

Click to View Pricing, Inventory, Delivery & Lifecycle Information:

Alpha (Taiwan):

[RD901F-20-15R-B10K-00L1](#) [RD901F-20-15R-B100K-00L1](#) [RD901F-20-15R-B1K-00L1](#) [RD901F-20-15R-B50K-00L1](#)
[RD901F-20-15R-B5K-00L1](#) [RD901F-20-15K-B100K-00L1](#) [RD901F-20-15F-B10K-00L1](#) [RD901F-40-15F-B100K-](#)
[00DL1](#) [RD901F-20-15K-B10K-00L1](#) [RD901F-40-15F-A100K-00DL1](#) [RD901F-20-15F-B100K-00L1](#) [RD901F-40-15F-](#)
[B10K-00DL1](#) [RD901F-40-15K-B10K-00DL1](#) [RD901F-40-15K-B100K-00DL1](#) [RD901F-40-15R-B10K-00DL1](#) [RD901F-](#)
[40-15R-B100K-00DL1](#)

Данный компонент на территории Российской Федерации

Вы можете приобрести в компании MosChip.

Для оперативного оформления запроса Вам необходимо перейти по данной ссылке:

<http://moschip.ru/get-element>

Вы можете разместить у нас заказ для любого Вашего проекта, будь то серийное производство или разработка единичного прибора.

В нашем ассортименте представлены ведущие мировые производители активных и пассивных электронных компонентов.

Нашей специализацией является поставка электронной компонентной базы двойного назначения, продукции таких производителей как XILINX, Intel (ex.ALTERA), Vicor, Microchip, Texas Instruments, Analog Devices, Mini-Circuits, Amphenol, Glenair.

Сотрудничество с глобальными дистрибьюторами электронных компонентов, предоставляет возможность заказывать и получать с международных складов практически любой перечень компонентов в оптимальные для Вас сроки.

На всех этапах разработки и производства наши партнеры могут получить квалифицированную поддержку опытных инженеров.

Система менеджмента качества компании отвечает требованиям в соответствии с ГОСТ Р ИСО 9001, ГОСТ РВ 0015-002 и ЭС РД 009

Офис по работе с юридическими лицами:

105318, г.Москва, ул.Щербаковская д.3, офис 1107, 1118, ДЦ «Щербаковский»

Телефон: +7 495 668-12-70 (многоканальный)

Факс: +7 495 668-12-70 (доб.304)

E-mail: info@moschip.ru

Skype отдела продаж:

moschip.ru

moschip.ru_4

moschip.ru_6

moschip.ru_9