

## 9mm Single Metal Shaft, Multi-Ganged Series

### Application

- ✓ Audio, Home appliance, Automotive, Communication, and Others



### Feature

- ✓ Durable Structure with less wobble metal shaft

### ■Specification

|                                       |                            |
|---------------------------------------|----------------------------|
| Total Rotational Angle                | 300±5°                     |
| Maximum Operating Voltage             | 50V AC                     |
| Insulation Resistance                 | More than 100MΩ at 250V DC |
| Dielectric Strength                   | 300V AC , 1 minute         |
| Rotational Torque                     | 20-250 gf.cm               |
| Rotational Stop Strength of the Shaft | 4 kgf.cm / Min.            |
| Rotation Life                         | 15,000 cycles              |

### ■How to order

RD901F-20 E1 - 15F - B10K - 00D

#### Model

EX. RD901F - Single unit  
RD902F - Dual units

#### Bracket

| Order Code | Description     |
|------------|-----------------|
| Blank      | Without Bracket |
| 00D        | With Bracket    |

#### Bushing Type

| Order Code | Dimensions |      |
|------------|------------|------|
| Blank      | Ø7mm       | 5mm  |
| B3         | Ø7mm       | 7mm  |
| B6         | Ø7mm       | 10mm |
| E1         | Ø9mm       | 5mm  |
| E3         | Ø9mm       | 7mm  |
| E6         | Ø9mm       | 10mm |

#### Shaft Type

#### Taper and Resistance Value

| Order Code | Taper     | Resistance Value |
|------------|-----------|------------------|
| A100K      | Log/A     | 100KΩ            |
| B1M        | Linear/B  | 1MΩ              |
| C500K      | Rev-log/C | 500KΩ            |

Taper: A, B and C

Resistance Value: 1KΩ to 500KΩ and 1MΩ

\*Contact us for other requirements.

## 9mm Single Metal Shaft, Multi-Ganged Series

### ■ Model Description

| Model                                 | Number of Unit | Terminal Type | With Switch                   | With Bracket    |
|---------------------------------------|----------------|---------------|-------------------------------|-----------------|
| <a href="#">RD901F-20</a>             | Single Unit    | Horizontal    | Without Switch                | Without Bracket |
| <a href="#">RD902F-20</a>             | Dual Units     | Horizontal    | Without Switch                | Without Bracket |
| <a href="#">RD902F-22</a>             | Dual Units     | Horizontal    | Without Switch                | Without Bracket |
| <a href="#">RD904F-20</a>             | Four Units     | Horizontal    | Without Switch                | Without Bracket |
| <a href="#">RD902PF-20B6</a>          | Dual Units     | Horizontal    | Without Switch                | Without Bracket |
| <a href="#">RD901F-20E1-00D</a>       | Single Unit    | Horizontal    | Without Switch                | With Bracket    |
| <a href="#">RD901F-40E1/E3/E6-00D</a> | Single Unit    | Vertical      | Without Switch                | With Bracket    |
| <a href="#">RD902F-20E1/E3/E6-00D</a> | Dual Units     | Horizontal    | Without Switch                | With Bracket    |
| <a href="#">RD901F-40-00D</a>         | Single Unit    | Vertical      | Without Switch                | With Bracket    |
| <a href="#">RD902F-40-00D</a>         | Dual Units     | Vertical      | Without Switch                | With Bracket    |
| <a href="#">RD901SF-20</a>            | Single Unit    | Horizontal    | Rotary Switch<br>(S.P.S.T)    | Without Bracket |
| <a href="#">RD9010PF-20</a>           | Single Unit    | Horizontal    | Push Switch<br>(S.P.S.T)      | Without Bracket |
| <a href="#">RD901B21F-20</a>          | Single Unit    | Horizontal    | Push-Pull Switch<br>(S.P.D.T) | Without Bracket |
| <a href="#">RD901B22F-20</a>          | Single Unit    | Horizontal    | Push-Pull Switch<br>(D.P.D.T) | Without Bracket |
| <a href="#">RD902B21F-20</a>          | Dual Units     | Horizontal    | Push-Pull Switch<br>(S.P.D.T) | Without Bracket |
| <a href="#">RD902B22F-20</a>          | Dual Units     | Horizontal    | Push-Pull Switch<br>(D.P.D.T) | Without Bracket |

[Back to top](#)

# POTENTIOMETERS

## 9mm Single Metal Shaft, Multi-Ganged Series

| Order Code   | Outline Drawing   |
|--|---|
| <p>RD901F-20</p>    |  <p>SHAFT SHOWN IN FULL C.C.W. POSITION</p>   |
| <p>RD902F-20</p>   |  <p>SHAFT SHOWN IN FULL C.C.W. POSITION</p>  |
| <p>RD902F-22</p>  |  <p>SHAFT SHOWN IN FULL C.C.W. POSITION</p> |
| <p>RD904F-20</p>  |  <p>SHAFT SHOWN IN FULL C.C.W. POSITION</p> |

[Back to top](#)

# POTENTIOMETERS



## 9mm Single Metal Shaft, Multi-Ganged Series

| Order code   | Outline Drawing   |
|--|---|
| <p>RD902PF-20B6</p>                 |  <p>SHAFT SHOWN IN FULL C.C.W. POSITION</p> <p>RD901PF (single unit) is also available.</p> |
| <p>RD901F-20E1-00D</p>             |  <p>SHAFT SHOWN IN FULL C.C.W. POSITION</p>  |
| <p>RD901F-40E1/40E3/40E6-00D</p>  |  <p>SHAFT SHOWN IN FULL C.C.W. POSITION</p>   |
| <p>RD902F-20E1/20E3/20E6-00D</p>  |  <p>SHAFT SHOWN IN FULL C.C.W. POSITION</p>   |

[Back to top](#)

# POTENTIOMETERS



ALPHA

## 9mm Single Metal Shaft, Multi-Ganged Series

| Order code  | Outline Drawing  |
|---|--|
| <p>RD901F-40-00D</p>   |  <p>SHAFT SHOWN IN FULL C.C.W. POSITION</p> <p>P.C.B. MOUNTING HOLE DETAIL</p> <p>● 300° ROTATION MONO UNIT</p> <p>CIRCUIT</p>   |
| <p>RD902F-40-00D</p>  |  <p>SHAFT SHOWN IN FULL C.C.W. POSITION</p> <p>P.C.B. MOUNTING HOLE DETAIL</p> <p>● 300° ROTATION DUAL UNIT</p> <p>CIRCUIT</p>  |
| <p>RD901SF-20</p>    |  <p>SHAFT SHOWN IN FULL C.C.W. POSITION</p> <p>P.C.B. MOUNTING HOLE DETAIL</p> <p>● 300° ROTATION SINGLE UNIT WITH SWITCH (SW ROTARY SWITCH) S.P.S.T. D.C 12V 3A</p> <p>CIRCUIT</p> <p>RD902SF (dual units) is also available.</p> |
| <p>RD9010PF-20</p>   |  <p>SHAFT SHOWN IN FULL C.C.W. POSITION</p> <p>P.C.B. MOUNTING HOLE DETAIL</p> <p>● 300° ROTATION SINGLE UNIT WITH SWITCH SW PUSH SWITCH DC 12V 0.3A</p> <p>CIRCUIT</p> <p>RD9020PF (dual units) is also available.</p>            |

[Back to top](#)

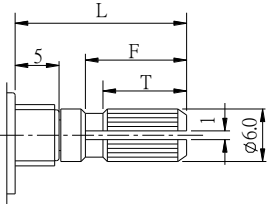
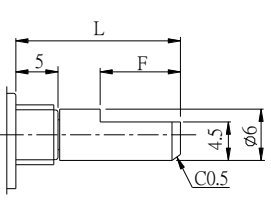
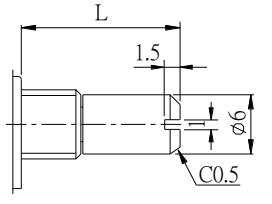
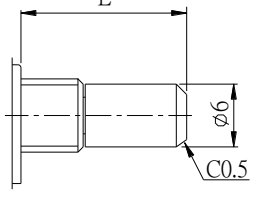
## 9mm Single Metal Shaft, Multi-Ganged Series

| Order code   | Outline Drawing  |
|--|--|
| <p>RD901B21F-20(S.P.D.T)</p>    |  <p>SHAFT SHOWN IN FULL C.C.W. POSITION</p> <p>300° ROTATION SINGLE UNIT WITH SWITCH (SW PUSH PULL SWITCH)</p> <p>MOUNTING SURFACE</p> <p>P.C.B. MOUNTING HOLE DETAIL</p> <p>CIRCUIT</p> |
| <p>RD901B22F-20(D.P.D.T)</p>   |  <p>SHAFT SLOT IS OPTIONAL ANGLE</p> <p>300° ROTATION SINGLE UNIT WITH SWITCH (SW PUSH PULL SWITCH)</p> <p>MOUNTING SURFACE</p> <p>P.C.B. MOUNTING HOLE DETAIL</p> <p>CIRCUIT</p>       |
| <p>RD902B21F-20(S.P.D.T)</p>  |  <p>SHAFT SHOWN IN FULL C.C.W. POSITION</p> <p>300° ROTATION DUAL UNIT WITH SWITCH (SW PUSH-PULL SWITCH)</p> <p>MOUNTING SURFACE</p> <p>P.C.B. MOUNTING HOLE DETAIL</p> <p>CIRCUIT</p> |
| <p>RD902B22F-20(D.P.D.T)</p>  |  <p>SHAFT SHOWN IN FULL C.C.W. POSITION</p> <p>300° ROTATION DUAL UNIT WITH SWITCH (SW PUSH-PULL SWITCH)</p> <p>MOUNTING SURFACE</p> <p>P.C.B. MOUNTING HOLE DETAIL</p> <p>CIRCUIT</p> |

[Back to top](#)

## 9mm Single Metal Shaft, Multi-Ganged Series

### ■ Shaft Type

| Order Code                | (L)K  | (L)F  | (L)S   | (L)R  |
|---------------------------|---|---|--|---|
| Shaft Type                | 18 Teeth knurled  | Flat shaft  | Slotted shaft  | Round shaft   |
| Dimensions                |  |  |  |  |
| Standard Shaft Length (L) | 15, 20, 25,30   |   |  |   |

Design and specifications presented here are for the standard parts only. Please kindly contact us for your special requests and ask for the current technical specifications before purchase and/or use.

[Back to top](#)

# Mouser Electronics

Authorized Distributor

Click to View Pricing, Inventory, Delivery & Lifecycle Information:

## Alpha (Taiwan):

[RD901F-20-15R-B10K-00L1](#) [RD901F-20-15R-B100K-00L1](#) [RD901F-20-15R-B1K-00L1](#) [RD901F-20-15R-B50K-00L1](#)  
[RD901F-20-15R-B5K-00L1](#) [RD901F-20-15K-B100K-00L1](#) [RD901F-20-15F-B10K-00L1](#) [RD901F-40-15F-B100K-](#)  
[00DL1](#) [RD901F-20-15K-B10K-00L1](#) [RD901F-40-15F-A100K-00DL1](#) [RD901F-20-15F-B100K-00L1](#) [RD901F-40-15F-](#)  
[B10K-00DL1](#) [RD901F-40-15K-B10K-00DL1](#) [RD901F-40-15K-B100K-00DL1](#) [RD901F-40-15R-B10K-00DL1](#) [RD901F-](#)  
[40-15R-B100K-00DL1](#)



## Данный компонент на территории Российской Федерации

### Вы можете приобрести в компании MosChip.

Для оперативного оформления запроса Вам необходимо перейти по данной ссылке:

<http://moschip.ru/get-element>

Вы можете разместить у нас заказ для любого Вашего проекта, будь то серийное производство или разработка единичного прибора.

В нашем ассортименте представлены ведущие мировые производители активных и пассивных электронных компонентов.

Нашей специализацией является поставка электронной компонентной базы двойного назначения, продукции таких производителей как XILINX, Intel (ex.ALTERA), Vicor, Microchip, Texas Instruments, Analog Devices, Mini-Circuits, Amphenol, Glenair.

Сотрудничество с глобальными дистрибьюторами электронных компонентов, предоставляет возможность заказывать и получать с международных складов практически любой перечень компонентов в оптимальные для Вас сроки.

На всех этапах разработки и производства наши партнеры могут получить квалифицированную поддержку опытных инженеров.

Система менеджмента качества компании отвечает требованиям в соответствии с ГОСТ Р ИСО 9001, ГОСТ РВ 0015-002 и ЭС РД 009

### Офис по работе с юридическими лицами:

105318, г.Москва, ул.Щербаковская д.3, офис 1107, 1118, ДЦ «Щербаковский»

Телефон: +7 495 668-12-70 (многоканальный)

Факс: +7 495 668-12-70 (доб.304)

E-mail: [info@moschip.ru](mailto:info@moschip.ru)

Skype отдела продаж:

moschip.ru

moschip.ru\_4

moschip.ru\_6

moschip.ru\_9