

9mm Single Metal Shaft, Multi-Ganged Series

Application

- ✓ Audio, Home appliance, Automotive, Communication, and Others



Feature

- ✓ Durable Structure with less wobble metal shaft

■Specification

Total Rotational Angle	300±5°
Maximum Operating Voltage	50V AC
Insulation Resistance	More than 100MΩ at 250V DC
Dielectric Strength	300V AC , 1 minute
Rotational Torque	20-250 gf.cm
Rotational Stop Strength of the Shaft	4 kgf.cm / Min.
Rotation Life	15,000 cycles

■How to order

RD901F-20 E1 - 15F - B10K - 00D

Model

EX. RD901F - Single unit
RD902F - Dual units

Bracket

Order Code	Description
Blank	Without Bracket
00D	With Bracket

Bushing Type

Order Code	Dimensions	
Blank	Ø7mm	5mm
B3	Ø7mm	7mm
B6	Ø7mm	10mm
E1	Ø9mm	5mm
E3	Ø9mm	7mm
E6	Ø9mm	10mm

Shaft Type

Taper and Resistance Value

Order Code	Taper	Resistance Value
A100K	Log/A	100KΩ
B1M	Linear/B	1MΩ
C500K	Rev-log/C	500KΩ

Taper: A, B and C

Resistance Value: 1KΩ to 500KΩ and 1MΩ

*Contact us for other requirements.

9mm Single Metal Shaft, Multi-Ganged Series

■ Model Description

Model	Number of Unit	Terminal Type	With Switch	With Bracket
RD901F-20	Single Unit	Horizontal	Without Switch	Without Bracket
RD902F-20	Dual Units	Horizontal	Without Switch	Without Bracket
RD902F-22	Dual Units	Horizontal	Without Switch	Without Bracket
RD904F-20	Four Units	Horizontal	Without Switch	Without Bracket
RD902PF-20B6	Dual Units	Horizontal	Without Switch	Without Bracket
RD901F-20E1-00D	Single Unit	Horizontal	Without Switch	With Bracket
RD901F-40E1/E3/E6-00D	Single Unit	Vertical	Without Switch	With Bracket
RD902F-20E1/E3/E6-00D	Dual Units	Horizontal	Without Switch	With Bracket
RD901F-40-00D	Single Unit	Vertical	Without Switch	With Bracket
RD902F-40-00D	Dual Units	Vertical	Without Switch	With Bracket
RD901SF-20	Single Unit	Horizontal	Rotary Switch (S.P.S.T)	Without Bracket
RD9010PF-20	Single Unit	Horizontal	Push Switch (S.P.S.T)	Without Bracket
RD901B21F-20	Single Unit	Horizontal	Push-Pull Switch (S.P.D.T)	Without Bracket
RD901B22F-20	Single Unit	Horizontal	Push-Pull Switch (D.P.D.T)	Without Bracket
RD902B21F-20	Dual Units	Horizontal	Push-Pull Switch (S.P.D.T)	Without Bracket
RD902B22F-20	Dual Units	Horizontal	Push-Pull Switch (D.P.D.T)	Without Bracket

[Back to top](#)

POTENTIOMETERS



9mm Single Metal Shaft, Multi-Ganged Series

Order Code	Outline Drawing
<p>RD901F-20</p> 	 <p>SHAFT SHOWN IN FULL C.C.W. POSITION</p> <p>● 300° ROTATION MONO UNIT</p> <p>CIRCUIT</p>
<p>RD902F-20</p> 	 <p>SHAFT SHOWN IN FULL C.C.W. POSITION</p> <p>● 300° ROTATION DUAL UNIT</p> <p>CIRCUIT</p>
<p>RD902F-22</p> 	 <p>SHAFT SHOWN IN FULL C.C.W. POSITION</p> <p>● 300° ROTATION DUAL UNIT</p> <p>CIRCUIT</p>
<p>RD904F-20</p> 	 <p>SHAFT SHOWN IN FULL C.C.W. POSITION</p> <p>● 300° ROTATION QUAD UNIT</p> <p>CIRCUIT</p>

[Back to top](#)

9mm Single Metal Shaft, Multi-Ganged Series

Order code	Outline Drawing
<p>RD902PF-20B6</p> 	 <p>SHAFT SHOWN IN FULL C.C.W. POSITION</p> <p>RD901PF (single unit) is also available.</p>
<p>RD901F-20E1-00D</p> 	 <p>SHAFT SHOWN IN FULL C.C.W. POSITION</p>
<p>RD901F-40E1/40E3/40E6-00D</p> 	 <p>SHAFT SHOWN IN FULL C.C.W. POSITION</p>
<p>RD902F-20E1/20E3/20E6-00D</p> 	 <p>SHAFT SHOWN IN FULL C.C.W. POSITION</p>


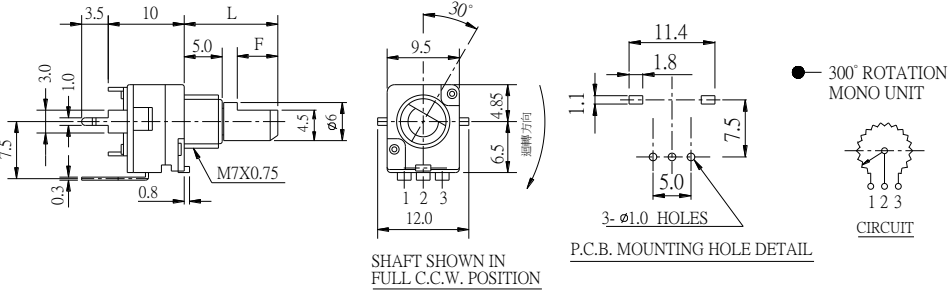

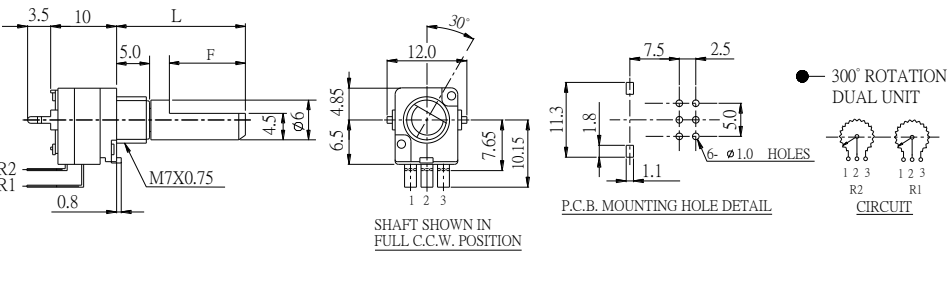

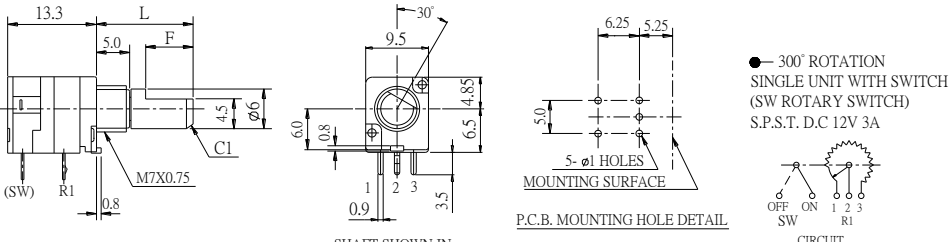
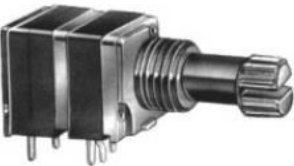
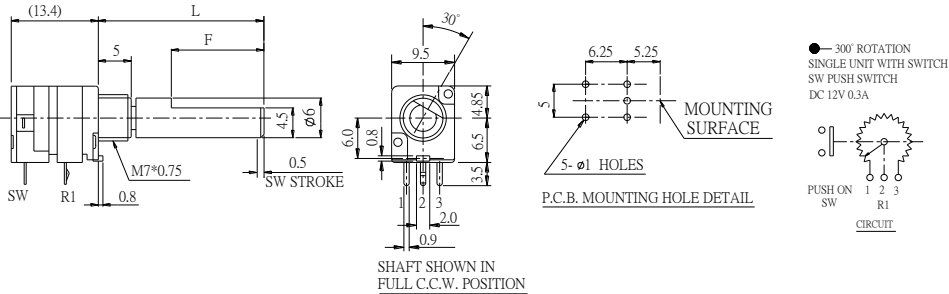
[Back to top](#)

POTENTIOMETERS



ALPHA

9mm Single Metal Shaft, Multi-Ganged Series

Order code	Outline Drawing
<p>RD901F-40-00D</p> 	 <p>SHAFT SHOWN IN FULL C.C.W. POSITION</p> <p>P.C.B. MOUNTING HOLE DETAIL</p> <p>● 300° ROTATION MONO UNIT</p> <p>CIRCUIT</p>
<p>RD902F-40-00D</p> 	 <p>SHAFT SHOWN IN FULL C.C.W. POSITION</p> <p>P.C.B. MOUNTING HOLE DETAIL</p> <p>● 300° ROTATION DUAL UNIT</p> <p>CIRCUIT</p>
<p>RD901SF-20</p> 	 <p>SHAFT SHOWN IN FULL C.C.W. POSITION</p> <p>P.C.B. MOUNTING HOLE DETAIL</p> <p>● 300° ROTATION SINGLE UNIT WITH SWITCH (SW ROTARY SWITCH) S.P.S.T. D.C 12V 3A</p> <p>CIRCUIT</p> <p>RD902SF (dual units) is also available.</p>
<p>RD9010PF-20</p> 	 <p>SHAFT SHOWN IN FULL C.C.W. POSITION</p> <p>P.C.B. MOUNTING HOLE DETAIL</p> <p>● 300° ROTATION SINGLE UNIT WITH SWITCH SW PUSH SWITCH DC 12V 0.3A</p> <p>CIRCUIT</p> <p>RD9020PF (dual units) is also available.</p>

[Back to top](#)

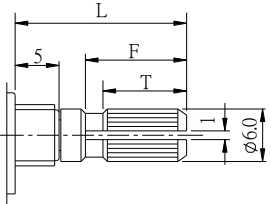
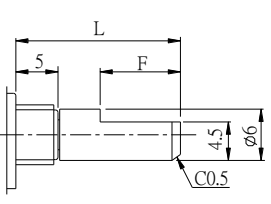
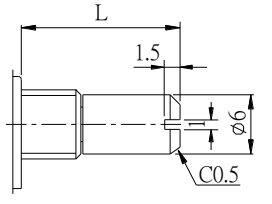
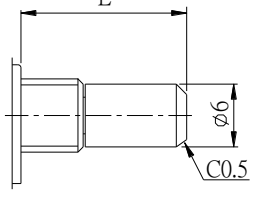
9mm Single Metal Shaft, Multi-Ganged Series

Order code	Outline Drawing
<p>RD901B21F-20(S.P.D.T)</p>	<p>SHAFT SHOWN IN FULL C.C.W. POSITION</p> <p>300° ROTATION SINGLE UNIT WITH SWITCH (SW PUSH PULL SWITCH)</p> <p>CIRCUIT</p>
<p>RD901B22F-20(D.P.D.T)</p>	<p>SHAFT SLOT IS OPTIONAL ANGLE</p> <p>300° ROTATION SINGLE UNIT WITH SWITCH (SW PUSH PULL SWITCH)</p> <p>CIRCUIT</p>
<p>RD902B21F-20(S.P.D.T)</p>	<p>SHAFT SHOWN IN FULL C.C.W. POSITION</p> <p>300° ROTATION DUAL UNIT WITH SWITCH (SW PUSH-PULL SWITCH)</p> <p>CIRCUIT</p>
<p>RD902B22F-20(D.P.D.T)</p>	<p>SHAFT SHOWN IN FULL C.C.W. POSITION</p> <p>300° ROTATION DUAL UNIT WITH SWITCH (SW PUSH-PULL SWITCH)</p> <p>CIRCUIT</p>

[Back to top](#)

9mm Single Metal Shaft, Multi-Ganged Series

■ Shaft Type

Order Code	(L)K	(L)F	(L)S	(L)R
Shaft Type	18 Teeth knurled	Flat shaft	Slotted shaft	Round shaft
Dimensions				
Standard Shaft Length (L)	15, 20, 25,30			

Design and specifications presented here are for the standard parts only. Please kindly contact us for your special requests and ask for the current technical specifications before purchase and/or use.

[Back to top](#)

Mouser Electronics

Authorized Distributor

Click to View Pricing, Inventory, Delivery & Lifecycle Information:

Alpha (Taiwan):

[RD901F-20-15R-B10K-00L1](#) [RD901F-20-15R-B100K-00L1](#) [RD901F-20-15R-B1K-00L1](#) [RD901F-20-15R-B50K-00L1](#)
[RD901F-20-15R-B5K-00L1](#) [RD901F-20-15K-B100K-00L1](#) [RD901F-20-15F-B10K-00L1](#) [RD901F-40-15F-B100K-](#)
[00DL1](#) [RD901F-20-15K-B10K-00L1](#) [RD901F-40-15F-A100K-00DL1](#) [RD901F-20-15F-B100K-00L1](#) [RD901F-40-15F-](#)
[B10K-00DL1](#) [RD901F-40-15K-B10K-00DL1](#) [RD901F-40-15K-B100K-00DL1](#) [RD901F-40-15R-B10K-00DL1](#) [RD901F-](#)
[40-15R-B100K-00DL1](#)

Данный компонент на территории Российской Федерации

Вы можете приобрести в компании MosChip.

Для оперативного оформления запроса Вам необходимо перейти по данной ссылке:

<http://moschip.ru/get-element>

Вы можете разместить у нас заказ для любого Вашего проекта, будь то серийное производство или разработка единичного прибора.

В нашем ассортименте представлены ведущие мировые производители активных и пассивных электронных компонентов.

Нашей специализацией является поставка электронной компонентной базы двойного назначения, продукции таких производителей как XILINX, Intel (ex.ALTERA), Vicor, Microchip, Texas Instruments, Analog Devices, Mini-Circuits, Amphenol, Glenair.

Сотрудничество с глобальными дистрибьюторами электронных компонентов, предоставляет возможность заказывать и получать с международных складов практически любой перечень компонентов в оптимальные для Вас сроки.

На всех этапах разработки и производства наши партнеры могут получить квалифицированную поддержку опытных инженеров.

Система менеджмента качества компании отвечает требованиям в соответствии с ГОСТ Р ИСО 9001, ГОСТ РВ 0015-002 и ЭС РД 009

Офис по работе с юридическими лицами:

105318, г.Москва, ул.Щербаковская д.3, офис 1107, 1118, ДЦ «Щербаковский»

Телефон: +7 495 668-12-70 (многоканальный)

Факс: +7 495 668-12-70 (доб.304)

E-mail: info@moschip.ru

Skype отдела продаж:

moschip.ru

moschip.ru_4

moschip.ru_6

moschip.ru_9