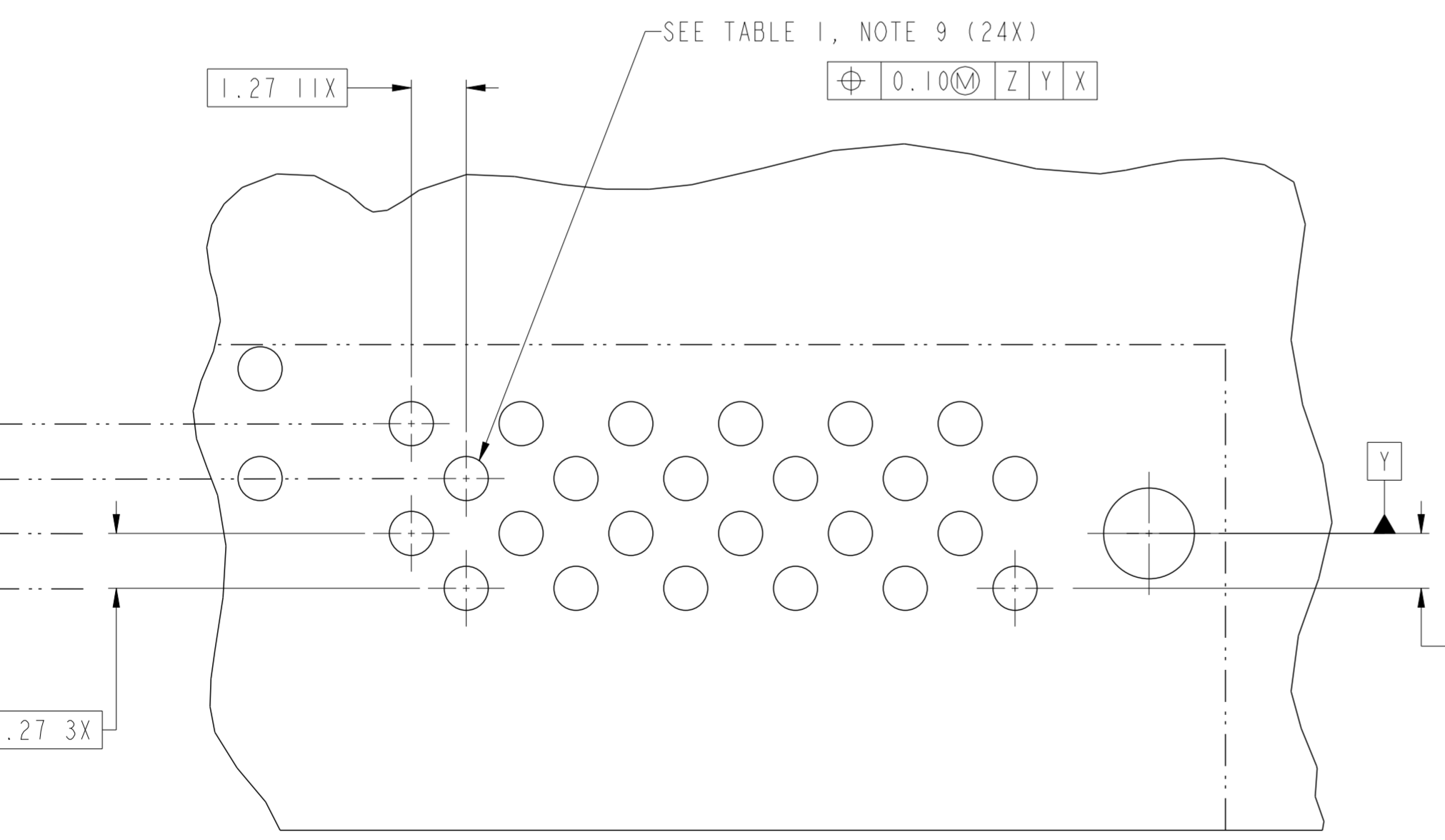
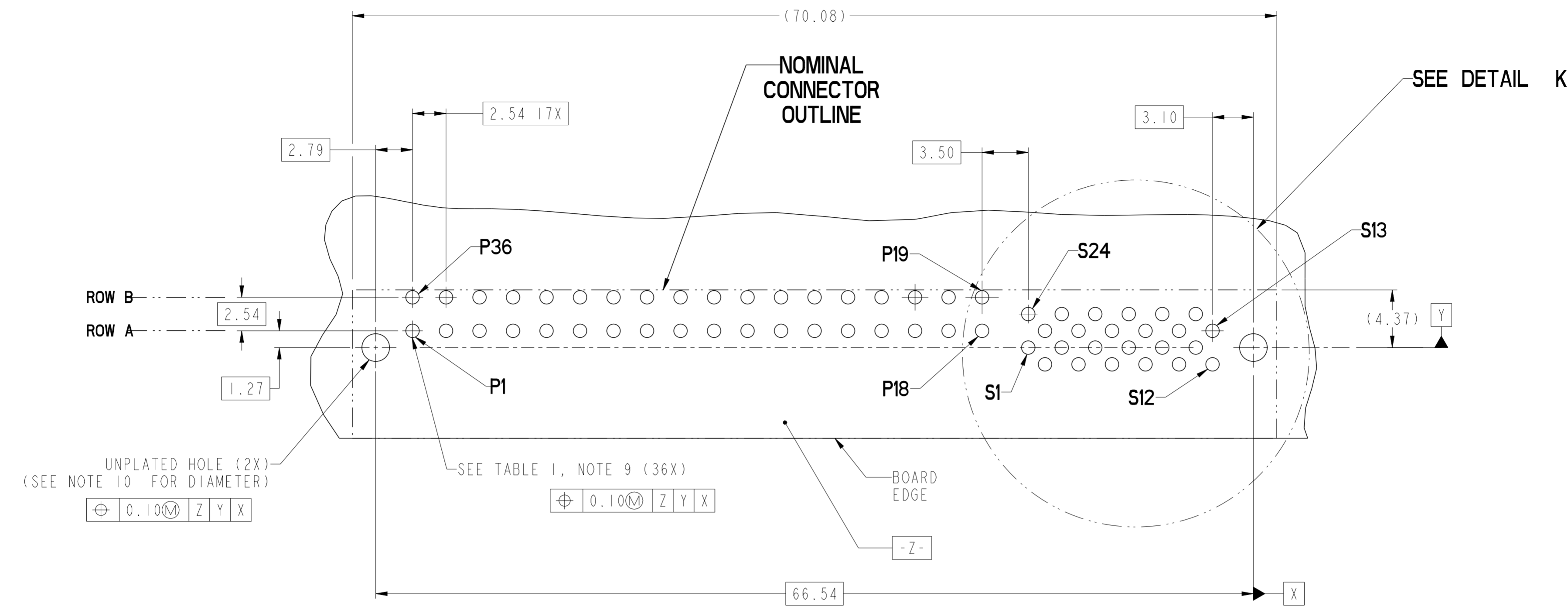


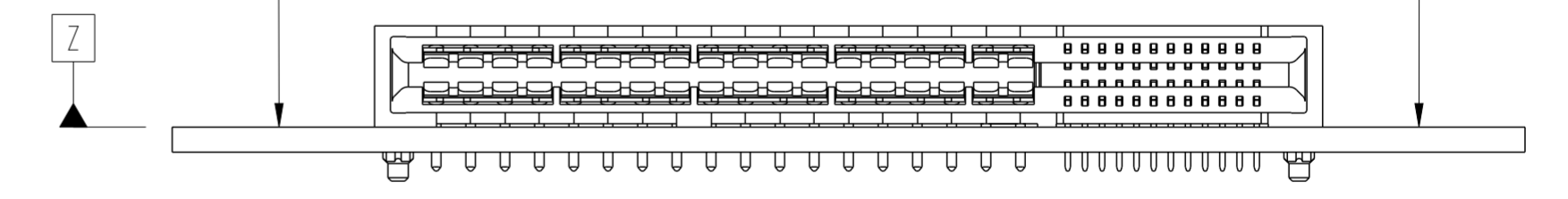
| | | | | | | | | | | | | | |
|---------------------------------------|------------|-------------|----------------|------------|----------------|------|------------------------|----------------|--------------|-----|---|--------------------|----------|
| spec ref | - | dr | Chris Gieski | 2010/08/27 | projection | MM | size | A2 | scale | 4:1 | | | |
| tolerance std | ASME Y14.5 | eng | De-Ming Lu | 2014/06/05 | | | ecn no | ELX-DG-17838-1 | | | | | |
| TOLERANCES UNLESS OTHERWISE SPECIFIED | | chr | - | rel level | | | Released | | | | | | |
| surface | linear | appr | Pei-Ming Zheng | 2014/06/05 | product family | HPCE | rel level | Blue | | | | | |
| ASME Y14.5 | angular | 0° | ±0° | 0.X | ±0.3 | 0.XX | ±0.10 | 0.XXX | ±0.050 | | title R/A RECT (36P-24S) HIGH POWER CARD EDGE | dwg no 10115859 | rev D |
| | | www.fci.com | | cat. no. | - | | Product - Customer Drw | | sheet 1 of 4 | | | | |

A
B
C
D
E
F



DETAIL K
SCALE 8:1

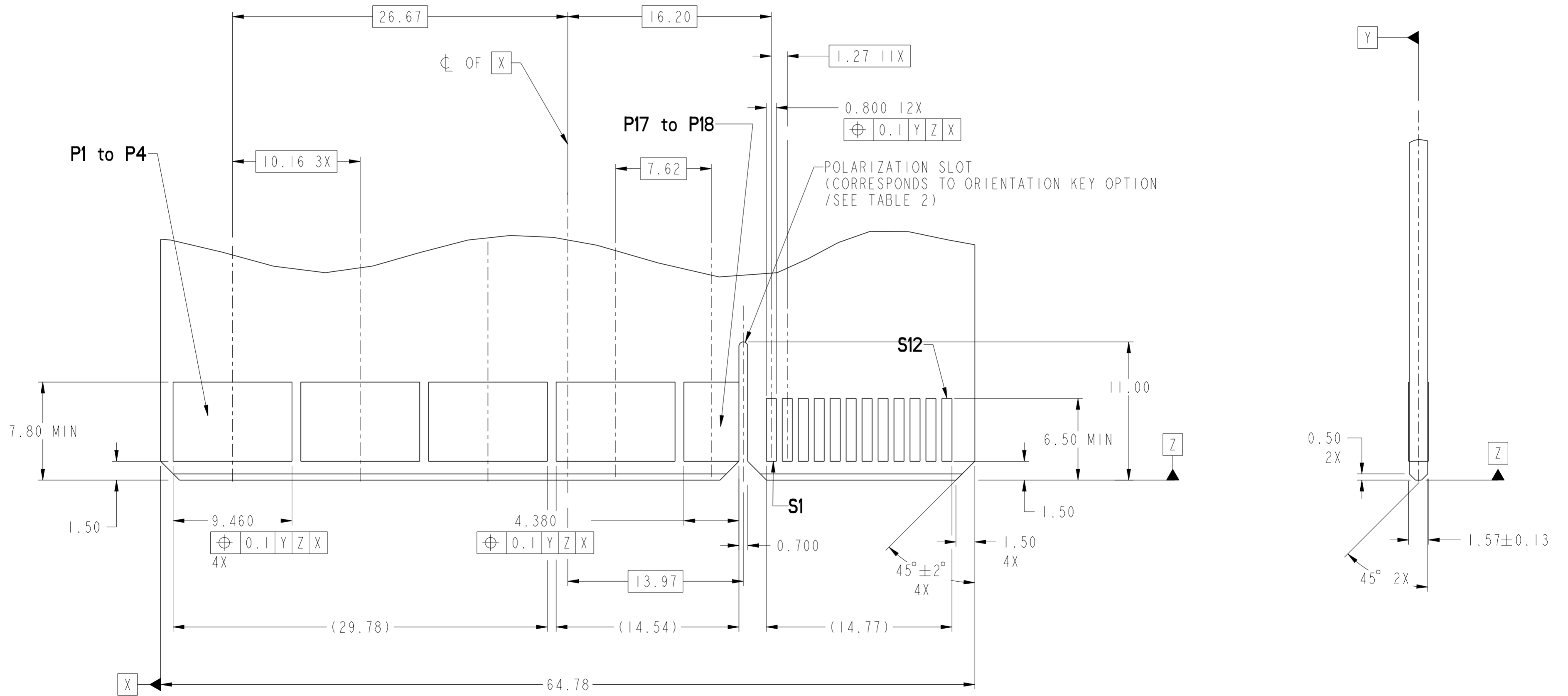
RECOMMENDED PCB LAYOUT
VIEWED FROM CONNECTOR SIDE



| | | | | | | | | | | | |
|---------------------------------------|------------|--------|--------------|------------|------------|--|----------------|----------------|------------------------|--------------|-----------|
| spec ref | - | dr | Chris Gieski | 2010/08/27 | projection | MM | size | A2 | scale | 4:1 | |
| tolerance std | ASME Y14.5 | eng | De-Ming Lu | 2014/06/05 | | | ecn no | ELX-DG-17838-1 | | | |
| TOLERANCES UNLESS OTHERWISE SPECIFIED | | chr | - | appr | | | Pei-Ming Zheng | 2014/06/05 | product family | HPCE | rel level |
| surface | ✓ | linear | 0.X | ±0.3 | | FCI R/A RECT (36P-24S) HIGH POWER CARD EDGE | dwg no | 10115859 | | | |
| | | 0.XX | ±0.10 | | | | cat. no. | - | Product - Customer Drw | sheet 2 of 4 | |
| | | 0.XXX | ±0.050 | | | | | | | | |
| ASME Y14.5 | angular | 0° | ±° | | | | | | | | |

Copyright FCI.

| CONTACT TYPE | TOP LAYER DESCRIPTION | TABLE 1 (HPCE / SOLDER TAILS) PLATED THROUGH-HOLE REQUIREMENTS | | | | |
|----------------|-----------------------|---|------------------|--------------------|---------------|------------------------|
| | | DRILLED HOLE DIAMETER | COPPER THICKNESS | TIN-LEAD THICKNESS | TIN THICKNESS | FINISHED HOLE DIAMETER |
| POWER & SIGNAL | TIN-LEAD | 1.10-1.16 (1.15 DRILL) | 0.025 - 0.050 | 0.005 - 0.015 | -- | 0.94 - 1.10 |
| | IMMERSION TIN | 1.10-1.16 (1.15 DRILL) | 0.025 - 0.050 | -- | 0.9 - 1.5um | 0.94 - 1.10 |
| | COPPER (SEE NOTE 8) | 1.10-1.16 (1.15 DRILL) | 0.025 - 0.050 | -- | -- | 0.94 - 1.10 |

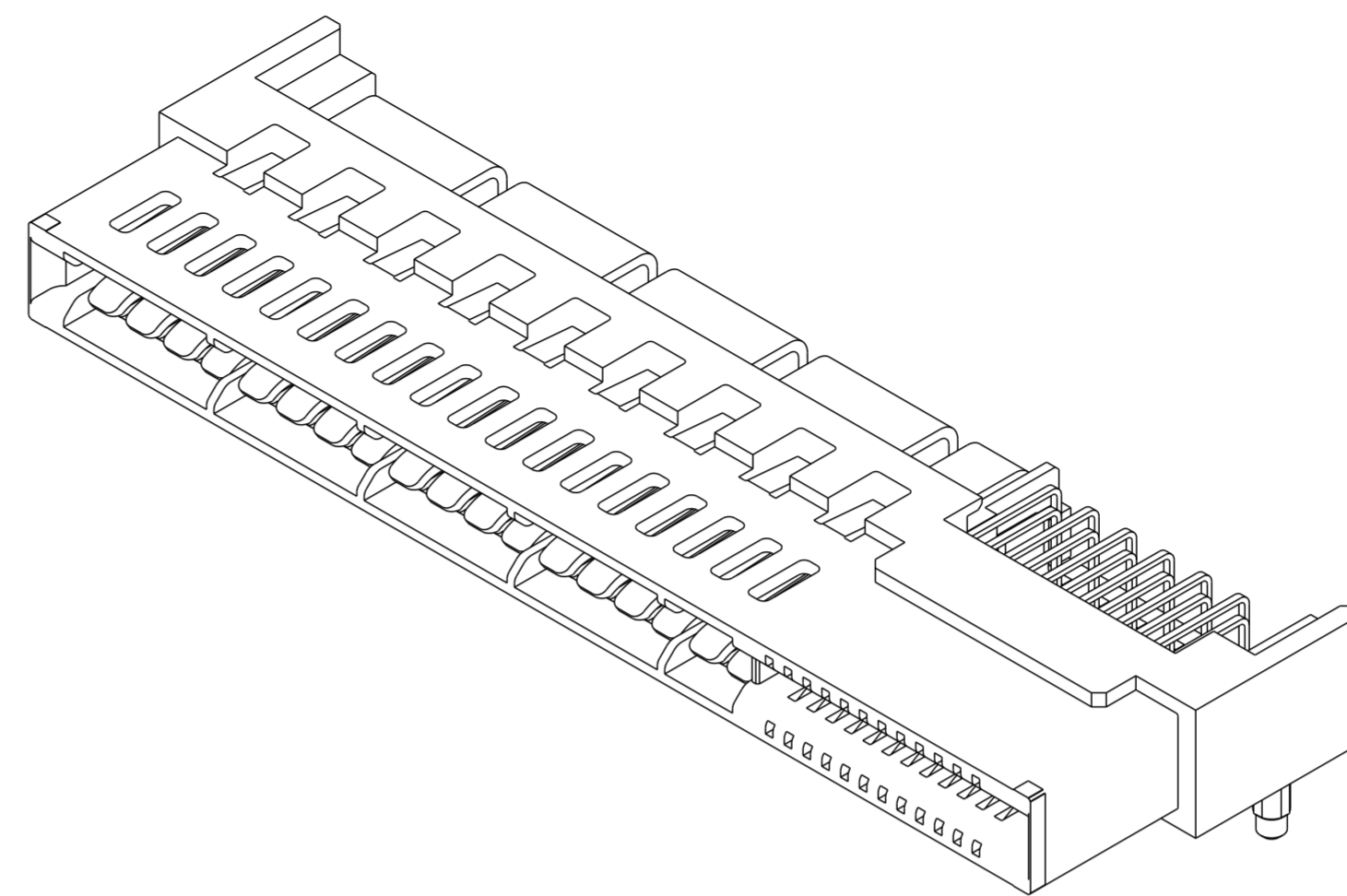


RECOMMENDED MATING BOARD FOOTPRINT

| | | | | | | | | | | |
|---------------|------------|------|----------------|-------------|----------------|------|------------------------|----------------|-----------|----------|
| spec ref | - | dr | Chris Gieski | 2010/08/27 | projection | MM | size | A2 | scale | 4:1 |
| tolerance std | ASME Y14.5 | eng | De-Ming Lu | 2014/06/05 | chr | - | ecn no | ELX-DG-17838-1 | rel level | Released |
| surface | linear | appr | Pei-Ming Zheng | 2014/06/05 | product family | HPCE | dwg no | 10115859 | rev | D |
| ASME Y14.5 | angular | 0° | ±° | www.fci.com | cat. no. | - | Product - Customer Drw | sheet 3 of 4 | | |

HPCE PART NUMBER (TABLE 2)

| PART NUMBER | TAIL TYPE | HOLD-DOWN OPTION | ORIENTATION KEY | DIM "A" TYPICAL TAIL LENGTH | |
|----------------------------|-------------|------------------|-----------------|-----------------------------|-----------|
| 10115859-001LF | SOLDER TAIL | NO | YES | 3.25±0.25 | |
| 10115859-002LF | | | NO | | |
| 10115859-003LF | | YES | YES | | |
| 10115859-004LF | | | NO | | |
| 10115859-005LF | | NO | YES | | 4.05±0.25 |
| 10115859-006LF | | | NO | | |
| 10115859-007LF | | YES | YES | | |
| 10115859-008LF | | | NO | | |
| 10115859-009LF | | NO | YES | 4.85±0.25 | |
| 10115859-010LF | | | NO | | |
| 10115859-011LF | | YES | YES | | |
| 10115859-012LF | | | NO | | |
| 10115859-013LF \triangle | | NO | YES | | 2.60±0.25 |
| 10115859-014LF \triangle | | | NO | | |
| 10115859-015LF \triangle | | | YES | | |
| 10115859-016LF \triangle | | | NO | | |



NOTES:

- CONNECTOR MATERIALS:
HOUSING: HIGH TEMPERATURE THERMAL PLASTIC, BLACK
UL 94V-0 COMPLIANT
CONTACTS: HIGH PERFORMANCE COPPER ALLOY.
- CONTACT FINISH REF. GS-12-604 SECTION 5.2.
- PRODUCT SPECIFICATION: GS-12-604.
- APPLICATION SPECIFICATION: GS-20-128.
- PRODUCT MARKING (FCI - PART NUMBER & DATE CODE) ON HOUSING IN AREA SHOWN.
- PACKAGING MEETS FCI SPECIFICATION GS-14-937.
- HOUSING COMPONENT WILL WITHSTAND EXPOSURE TO 260°C PEAK TEMPERATURE FOR 60 SECONDS IN A CONVECTION, INFRA-RED, OR VAPOR PHASE REFLOW OVEN.
- COPPER PLATING THICKNESS IN CENTER OF VIA-HOLE CAN BE NO MORE THAN 0.003 LESS THAN OTHER AREAS.
- ALL HOLE SIZES ARE FINISHED HOLE SIZES.
- MOUNTING HOLES ARE UNPLATED
 \varnothing 2.10 +/- 0.1 FOR SOLDER TAILS
- \triangle A \triangle SYMBOL WILL BE NEXT TO ANY DIMENSION, VIEW, OR NOTE WHICH HAS BEEN MODIFIED WITH THE CURRENT DRAWING REVISION.

Copyright FCI. FCI

| | | | | | | | | | | |
|---------------------------------------|------------|--------|--------------|------------------------|--|-------------|----------------|----------------|----------------|------|
| spec ref | - | dr | Chris Gieski | 2010/08/27 | projection | MM | size | A2 | scale | 4:1 |
| tolerance std | ASME Y14.5 | eng | De-Ming Lu | 2014/06/05 | | | ecn no | ELX-DG-17838-1 | | |
| TOLERANCES UNLESS OTHERWISE SPECIFIED | | chr | - | appr | | | Pei-Ming Zheng | 2014/06/05 | product family | HPCE |
| surface | linear | 0.X | ±0.3 | | R/A RECT (36P-24S) HIGH POWER CARD EDGE | www.fci.com | cat. no. | - | | |
| | 0.XX | ±0.10 | title | | | | - | | | |
| | 0.XXX | ±0.050 | dwg no | | | | 10115859 | | | |
| ASME Y14.5 | angular | 0° | ±° | Product - Customer Drw | sheet 4 of 4 | | rev | D | | |

Данный компонент на территории Российской Федерации

Вы можете приобрести в компании MosChip.

Для оперативного оформления запроса Вам необходимо перейти по данной ссылке:

<http://moschip.ru/get-element>

Вы можете разместить у нас заказ для любого Вашего проекта, будь то серийное производство или разработка единичного прибора.

В нашем ассортименте представлены ведущие мировые производители активных и пассивных электронных компонентов.

Нашей специализацией является поставка электронной компонентной базы двойного назначения, продукции таких производителей как XILINX, Intel (ex.ALTERA), Vicor, Microchip, Texas Instruments, Analog Devices, Mini-Circuits, Amphenol, Glenair.

Сотрудничество с глобальными дистрибьюторами электронных компонентов, предоставляет возможность заказывать и получать с международных складов практически любой перечень компонентов в оптимальные для Вас сроки.

На всех этапах разработки и производства наши партнеры могут получить квалифицированную поддержку опытных инженеров.

Система менеджмента качества компании отвечает требованиям в соответствии с ГОСТ Р ИСО 9001, ГОСТ РВ 0015-002 и ЭС РД 009

Офис по работе с юридическими лицами:

105318, г.Москва, ул.Щербаковская д.3, офис 1107, 1118, ДЦ «Щербаковский»

Телефон: +7 495 668-12-70 (многоканальный)

Факс: +7 495 668-12-70 (доб.304)

E-mail: info@moschip.ru

Skype отдела продаж:

moschip.ru

moschip.ru_4

moschip.ru_6

moschip.ru_9