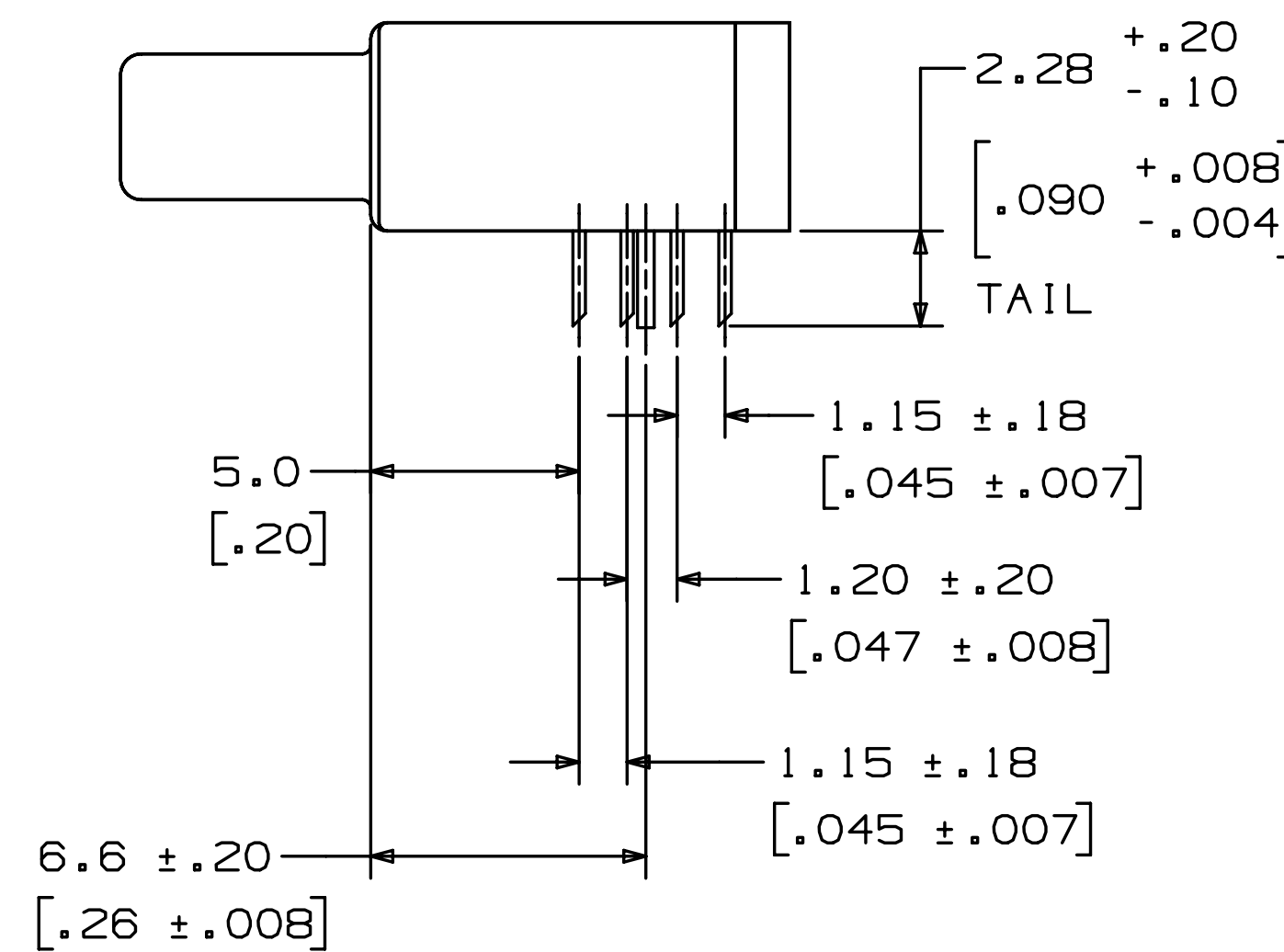
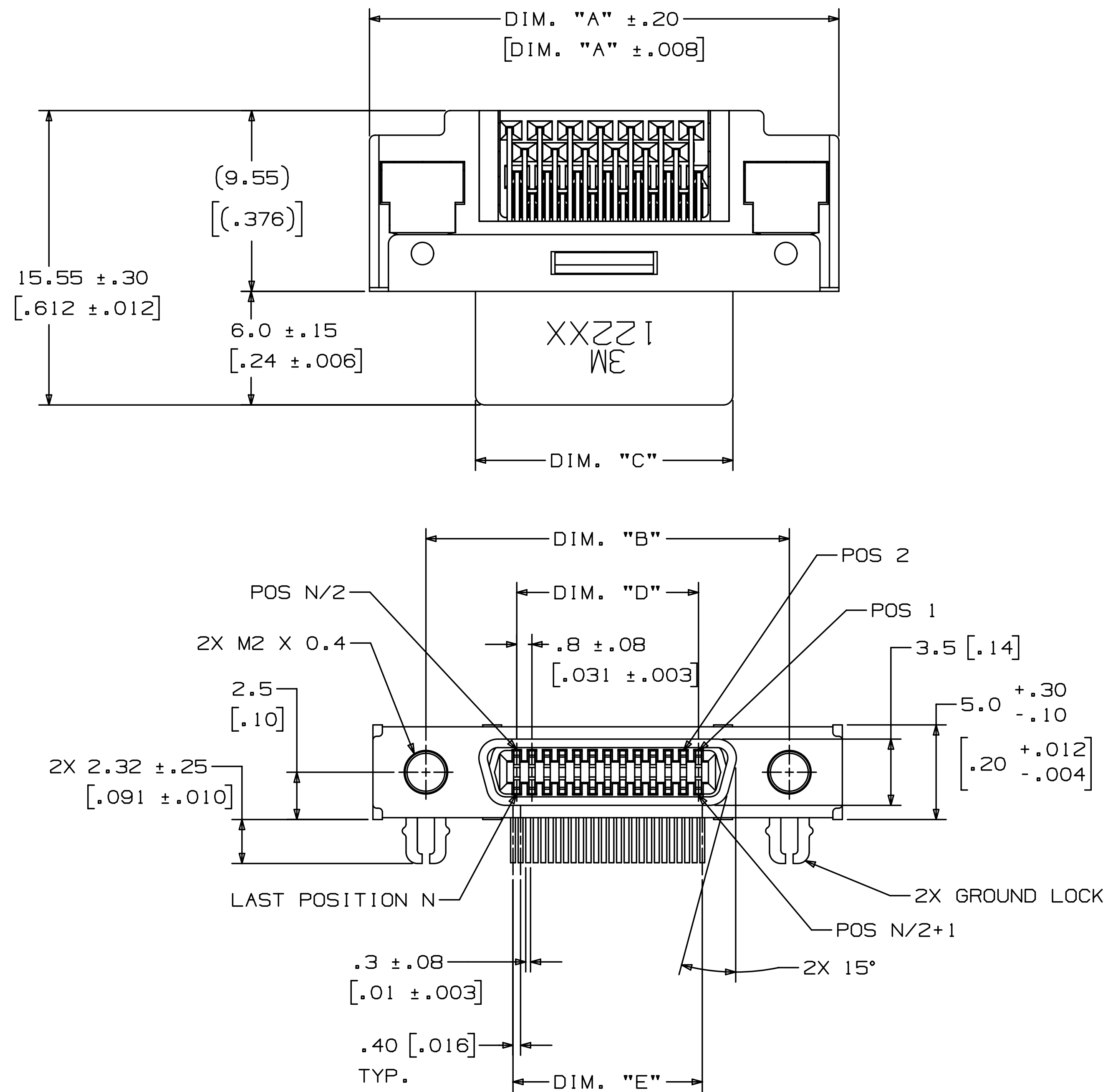


3M™ Shrunk Delta Ribbon (SDR) Connectors, 122 Series  
 .80 mm Through-Hole, Right Angle Receptacle, Shielded



- NOTES
- MATERIAL:  
 INSULATION: HIGH TEMPERATURE NYLON  
 COLOR: BLACK, UL94V-0  
  
 CONTACT: COPPER ALLOY  
 PLATING:  
 UNDERPLATE: 2μm [80μ"] NICKEL  
 WIPING AREA: .76μm [30μ"] GOLD  
 TERMINATION AREA: GOLD FLASH OVER NICKEL  
  
 SHROUD & LATCH HOOK: STEEL  
 PLATING: NICKEL  
  
 GROUND LOCK: COPPER ALLOY  
 PLATING: SEMI-BRIGHT TIN OVER NICKEL  
  
 LOCK SCREW: STEEL  
 PLATING: NICKEL  
  
 ALIGNMENT PLATE: PPS  
 COLOR: BLACK, UL94V-0
  - MARKING: 3M LOGO AND PART NUMBER.
  - ELECTRICAL:  
 CURRENT RATING: 0.5 A  
 INSULATION RESISTANCE: 500 MΩ MIN AT 250 V<sub>DC</sub>  
 WITHSTANDING VOLTAGE: 350 V<sub>AC</sub> FOR 1 MINUTE
  - ENVIRONMENTAL:  
 TEMPERATURE RATING:  
 -40° C TO +70° C  
 PROCESS RATING:  
 REFLOW: PREHEAT 150° TO 180° C,  
 90 TO 120 SECONDS  
 SOLDERING: OVER 220° C,  
 30 TO 60 SECONDS, PEAK TEMPERATURE  
 IS 250° C MAX.  
 SOLDER IRON: 380° C MAX, 3 SECONDS MAX.  
 WAVE SOLDERING: 260° C, 10 SECONDS, 2 TIMES  
 OR 263° C, 5 SECONDS, 2 TIMES.  
 \* PRE-HEAT CONDITION:  
 TEMP OF COMPONENTS: 100° C MAX.  
 DURATION: 60 SECONDS MAX.
  - IN THE EVENT OF CONFLICT BETWEEN THIS DATA AND THAT CONTAINED IN THE PRODUCT SPECIFICATION, THE PRODUCT SPECIFICATION TAKES PRECEDENT.
  - FOR VARIOUS PANEL THICKNESS JACKSOCKETS REFER TO TS-0142.
  - SEE REGULATORY INFORMATION APPENDIX (RIA) IN THE "RoHS COMPLIANCE" SECTION OF WWW.3MCONNECTOR.COM FOR COMPLIANCE INFORMATION.

POSITION	DIM. "A"	DIM. "B"	DIM. "C"	DIM. "D"	DIM. "E"
14	20.0 [.79]	14.4 [.57]	8.8 [.35]	4.8 [.19]	5.2 [.20]
26	24.8 [.98]	19.2 [.76]	13.6 [.54]	9.6 [.38]	10.0 [.39]
50	34.4 [1.35]	28.8 [1.13]	23.2 [.91]	19.2 [.76]	19.6 [.77]

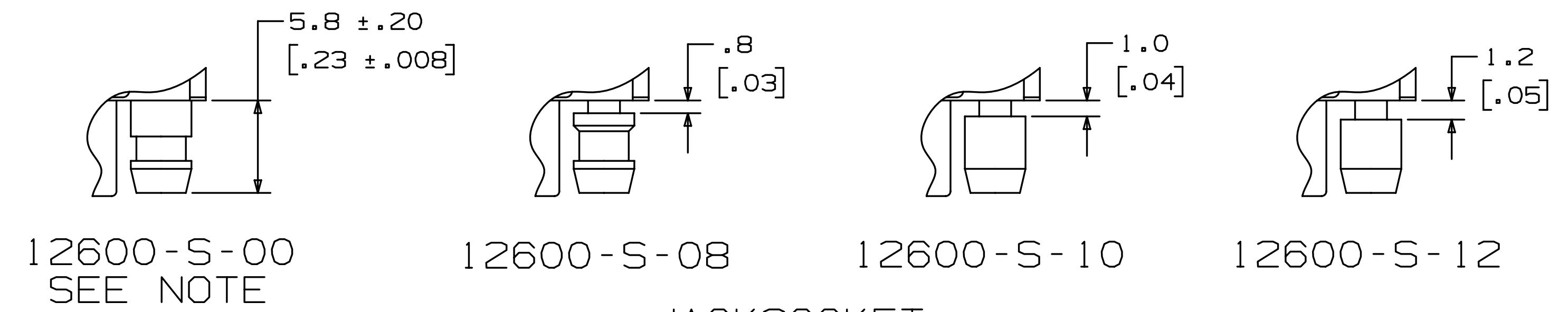
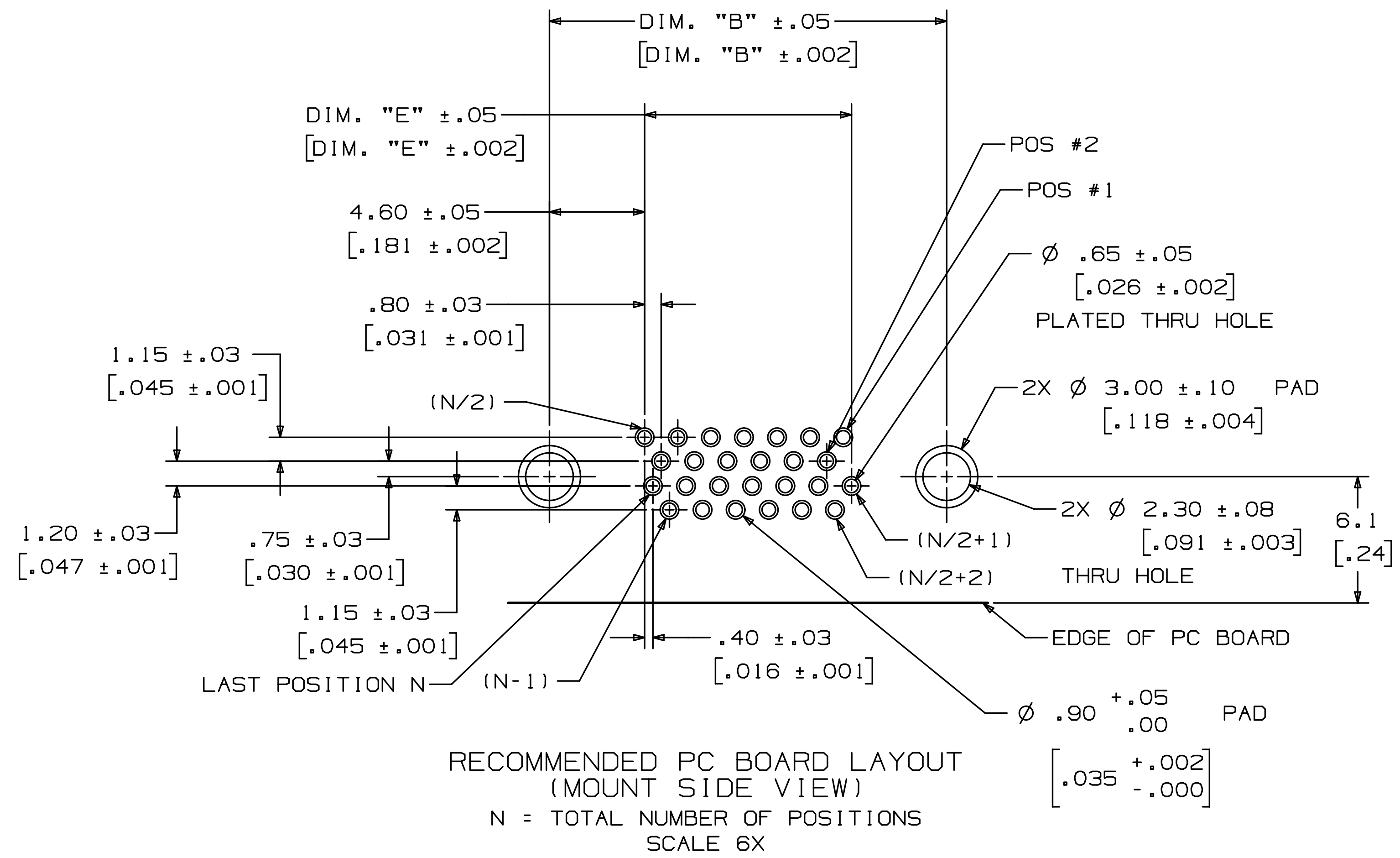
CONNECTOR DIMENSION TABLE  
 TABLE 1

DIMENSIONS ARE IN MM.  
 SECONDARY ARE IN [INCHES]  
 AND ARE FOR REFERENCE ONLY

DESIGN REFERENCE	NEXT ASSEMBLY	REV	ECO	ISSUE DATE AND DESCRIPTION	DRFT	CHKD
				JAN 05, 2011	JNC	SC
DESIGNER	DATE	APP'D	DATE			
CASTIGLIONE	JAN 05, 2011	DR	JAN 12, 2011			
CHKD	DATE	APP'D	DATE			
		B. CRONCH				
DIVISION	DIVISION CODE	© 3M COPYRIGHT 2011				
Interconnect Solutions	ISD	This document and the information it contains are 3M property and may not be reproduced or further distributed without 3M permission, or used or disclosed other than for 3M authorized purposes. All rights reserved.				
DO NOT SCALE DRAWING	SCALE 1	TOLERANCES EXCEPT AS NOTED				
		INCHES	TITLE			
		.00 ±.006	3M SHRUNK DELTA RIBBON (SDR) CONN.			
		.000 ±.006	122XX-51X0-00FR			
		.0000 ±.005	CAGE SIZE DRAWING NO.			
THIRD ANGLE PROJECTION	MILLIMETERS	0 ±	NUMBER			
INTERPRET PER ASME Y14.5 - 1994	0 ±	.00 ±.15	D 78-5100-2124-5			
MAX SURFACE ROUGHNESS	.00 ±.15	.000 ±.13	REV.			
UNFINISHED SURFACES	.000 ±.13		E			
MARKED ONLY	ANGLES		MODEL			
			122XX-51X0-00			
			SHT 1 OF 2			

UL FILE NO: E68080

3M™ Shrunk Delta Ribbon (SDR) Connectors, 122 Series  
 .80 mm Through-Hole, Right Angle Receptacle, Shielded



NOTE: JACKSOCKET 12600-S-00 COMES FACTORY INSTALLED IN CONNECTOR 122XX-5150-00FR. IT IS FIXED WITH THREAD LOCKING ADHESIVE AND CANNOT BE REMOVED.

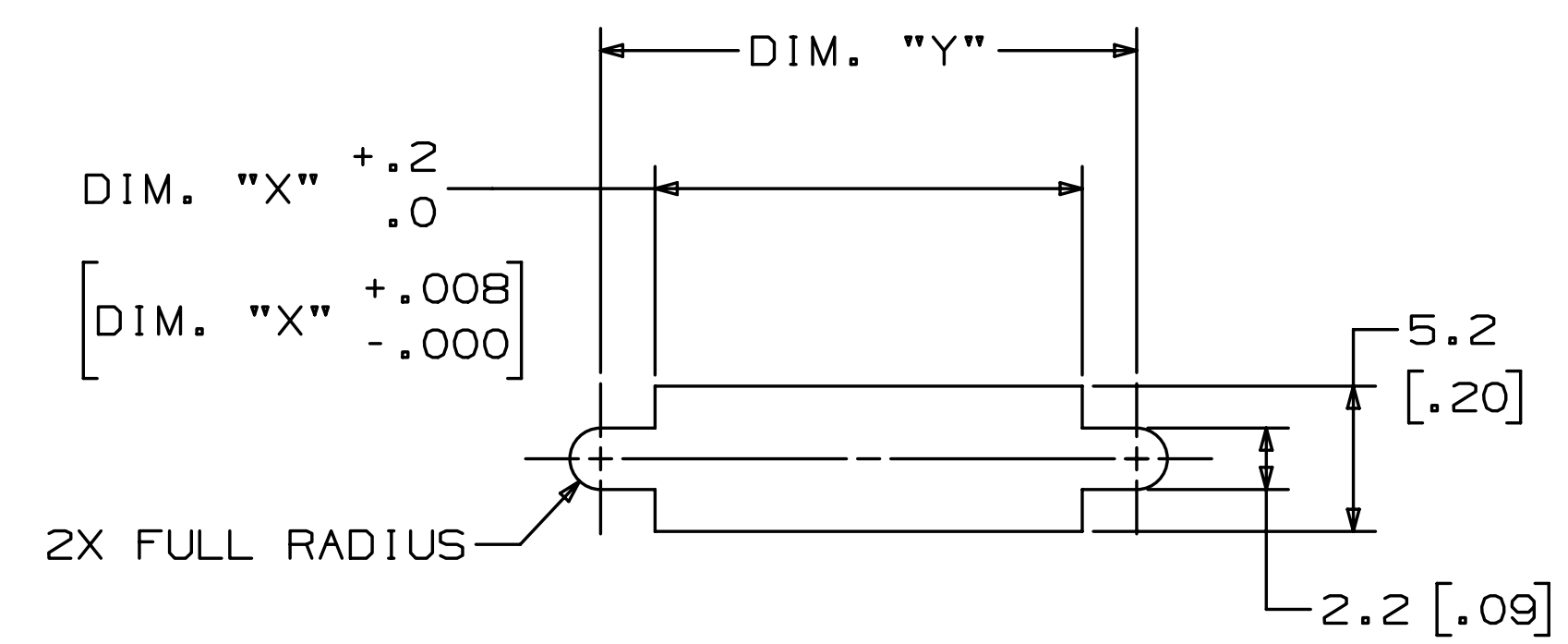
PANEL THICKNESS	CONNECTOR	JACKSOCKET
NO PANEL	122XX-5150-00FR	FACTORY INSTALLED (SEE NOTE)
0.8±0.1MM	122XX-5100-00FR	12600-S-08 (ORDER SEPARATELY)
1.0±0.1MM	122XX-5100-00FR	12600-S-10 (ORDER SEPARATELY)
1.2±0.1MM	122XX-5100-00FR	12600-S-12 (ORDER SEPARATELY)

SELECTION TABLE FOR PANEL MOUNTING  
 TABLE 3

ORDERING INFORMATION:  
 122XX-51X0-00FR

CONTACT QUANTITY (SEE TABLE 1)

SCREW LOCK OPTION: (SEE TABLE 3)  
 0=NONE (RIA E1 & C1 APPLY)  
 5=WITH 12600-S-00 NON-REMOVABLE SCREW LOCK (RIA E5 & C3 APPLY)



RECOMMENDED PANEL CUT-OUT  
 (MAXIMUM PANEL THICKNESS 1.2MM)

POSITION	DIM. "X"	DIM. "Y"
14	10.5 [.41]	14.4 [.57]
26	15.3 [.60]	19.2 [.76]
50	24.9 [.98]	28.8 [1.13]

RECOMMENDED PANEL CUT-OUT DIMENSION TABLE  
 TABLE 2

DESIGN REFERENCE	NEXT ASSEMBLY	REV	ECO	ISSUE DATE AND DESCRIPTION	DRFT	CHKD
				JAN 05, 2011	JNC	SC
DISTRIBUTION CODE		DRFT	CASTIGLIONE	DATE	DATE	DATE
		CHKD		JAN 05, 2011	JAN 12, 2011	
DIVISION	DIVISION CODE	© 3M COPYRIGHT 2011 This document and the information it contains are 3M property and may not be reproduced or further distributed without 3M permission, or used or disclosed other than for 3M authorized purposes. All rights reserved.				
Interconnect Solutions	ISD	3M Center St. Paul, MN 55144				
DO NOT SCALE DRAWING	SCALE 4/1	TOLERANCES EXCEPT AS NOTED INCHES .0 ±.006 .00 ±.006 .000 ±.006 .0000 ±.005 MILLIMETERS 0 ±.15 .00 ±.15 .000 ±.13				
THIRD ANGLE PROJECTION		TITLE 3M SHRUNK DELTA RIBBON (SDR) CONN. 122XX-51X0-00FR				
INTERPRET PER ASME Y14.5 - 1994		CASE SIZE DRAWING NO. NUMBER D 78-5100-2124-5 MODEL 122XX-51X0-00				
MAX SURFACE ROUGHNESS		REV. E				
MARKED ONLY		DET. [ ] YES [X] NO SHT 2 OF 2				

## Данный компонент на территории Российской Федерации

### Вы можете приобрести в компании MosChip.

Для оперативного оформления запроса Вам необходимо перейти по данной ссылке:

<http://moschip.ru/get-element>

Вы можете разместить у нас заказ для любого Вашего проекта, будь то серийное производство или разработка единичного прибора.

В нашем ассортименте представлены ведущие мировые производители активных и пассивных электронных компонентов.

Нашей специализацией является поставка электронной компонентной базы двойного назначения, продукции таких производителей как XILINX, Intel (ex.ALTERA), Vicor, Microchip, Texas Instruments, Analog Devices, Mini-Circuits, Amphenol, Glenair.

Сотрудничество с глобальными дистрибьюторами электронных компонентов, предоставляет возможность заказывать и получать с международных складов практически любой перечень компонентов в оптимальные для Вас сроки.

На всех этапах разработки и производства наши партнеры могут получить квалифицированную поддержку опытных инженеров.

Система менеджмента качества компании отвечает требованиям в соответствии с ГОСТ Р ИСО 9001, ГОСТ РВ 0015-002 и ЭС РД 009

### Офис по работе с юридическими лицами:

105318, г.Москва, ул.Щербаковская д.3, офис 1107, 1118, ДЦ «Щербаковский»

Телефон: +7 495 668-12-70 (многоканальный)

Факс: +7 495 668-12-70 (доб.304)

E-mail: [info@moschip.ru](mailto:info@moschip.ru)

Skype отдела продаж:

moschip.ru

moschip.ru\_4

moschip.ru\_6

moschip.ru\_9