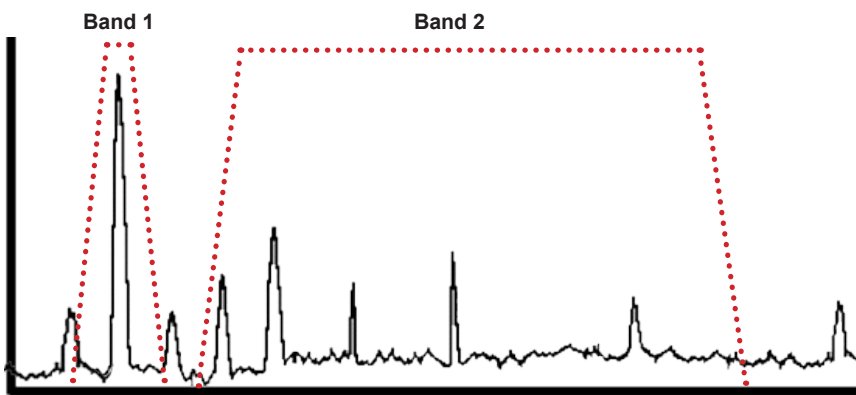


User-configurable intelligent vibration transmitter

iT301

Wilcoxon's new intelligent vibration transmitters measure and process dynamic vibration signals. The iT301 is optimized for process control and monitoring, with a variety of options for input signals, a wide frequency response, selectable band filters and detector types, and flexible output mapping options. The transmitter is MODBUS/RS485 enabled and features a built-in web server interface for efficient user configuration in the field.



2 user-configurable independent processing bands

See page 3 for system architecture and page 4 for more details on the iT301's built-in web server.

Certifications



Note: Due to continuous process improvement, specifications are subject to change without notice. This document is cleared for public release.

Key features

- Accepts input from accelerometers (single and dual output), piezovelocity sensors
- Input signal split into 2 independent processing bands
- Measures real-time sensor bands, BOV, signal true peak and temperature
- Built-in web browser allows custom configuration of bandwidth and detection type
- High/low alarms mappable to a single NC/NO relay
- Configurations can be stored for easy recall
- Selectable speed range
- Communicates using Modbus-TCP or RS485 protocol
- Manufactured in an approved ISO 9001 facility

User-configurable intelligent vibration transmitter



iT301

SPECIFICATIONS

INPUT	
Sensor type	IEPE accelerometers (single and dual output), piezovelocity transducers
IEPE power source	+24 VDC, 4.5 mA, enable/disable
Sensitivity range:	
Acceleration	9 - 11,000 mV/g
Velocity	9 - 11,000 mV/in/sec
Temperature	10 mV/°C (optional 10 mV/°K)
Maximum dynamic signal	± 10 VAC
Frequency response	0.2 Hz to 20 kHz (-3 dB, 0.1 dB)
Units	English or metric
ANALYSIS	
Fmax	200 to 20,000 Hz in 1, 2, 5 sequence
FFT resolution	Fixed, 1600 lines, bandwidth changes with Fmax
Windowing	Hanning
Dynamic range	>90 dB
BAND PROCESSING	
Vibration bands 1 and 2, independently configurable	Sensor units or single integration Low frequency* ≥ Fmin, based on user-selected Fmax High frequency* ≤ Fmax RMS, peak or peak-to-peak (*Fmax ≥ Fmin)
MEASUREMENTS	
Bands 1 and 2	configured vibration results
True peak band	True peak detector, 10 Hz to 25 kHz
Bias output voltage (BOV)	Measures sensor BOV (VDC)
Temperature	10 mV/°C, 2° to 120°C, sensor dependent
ALARMS	
High / Low / Relay	All measurement parameters, user-configurable
OUTPUTS	
Buffered dynamic:	
Vibration	DC coupled, BNC or terminal block; Raw sensor signal
Temperature	DC coupled, terminal block
Loop outputs:	
4-20 mA (two) (sourced)	Configurable from measurement results Full scale, user-configurable
Max loop resistance	500 Ω
RS485	Two-wire, half-duplex; 256 kbps max band rate; 120Ω termination network, switchable via DIP switch
Alarm relay	1 x NC/NO

Note: Due to continuous process improvement, specifications are subject to change without notice.
This document is cleared for public release.

User-configurable intelligent vibration transmitter

iT301

SPECIFICATIONS

ACCESSIBILITY / NETWORK

Built-in web server	Password-protected configuration and firmware upgrades
Browser support	IE, Mozilla, Chrome
IP address	Default: 192.168.0.100
Subnet mask	Default: 255.255.255.0
Default gateway	Default: 192.168.0.1

ENVIRONMENTAL

Power	11 - 32 VDC, 350 mA max
Temperature:	
Operating	-40° to +70°C
Storage	-40° to +85°C

Isolation	500 VAC, input to output
------------------	--------------------------

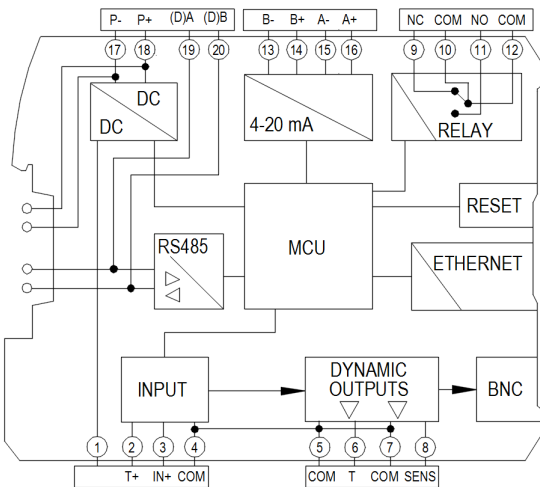
T-bus, rear backplane	Power and RS485 daisy chain
------------------------------	-----------------------------

PHYSICAL

Mounting	35 mm DIN rail
Dimensions, case	22 mm width x 114 mm depth x 100 mm height (0.89 x 4.473 x 3.9 in.) BNC connector adds 10 mm to overall depth
Connections	Screw terminal

Indicators:

Green LED	Solid – normal, flashing – test, off – no power
Red LED	Solid – sensor fault, flashing – 4-20 mA fault, off – normal
Yellow LED (relay)	On – relay energized, off – relay de-energized
Yellow LED (RS485)	Flashing – RS485 active, off – RS485 idle/non-matching address



IO Port	Terminal numbers and signal assignments
Vibration sensor	1 – No connection
	2 – Temperature sensor in (T+)
	3 – Signal in / Sensor Power (IN+)
	4 – Circuit Common (COM)
Temperature dynamic output	5 – Circuit Common (COM)
	6 – Temperature out (T)
Sensor dynamic output	7 – Circuit Common (COM)
	8 – Sensor out (SENS)
Signal relay	9 – Normally closed (NC)
	10 – Relay common (COM)
	11 – Normally open (NO)
	12 – Relay common (COM)
4-20 mA loop B (Secondary loop)	13 – B-
	14 – B+
4-20 mA loop A (Primary loop)	15 – A-
	16 – A+
Power input	17 – P-
	18 – P+
RS485*	19 – (D)A
	20 – (D)B

Note: Due to continuous process improvement, specifications are subject to change without notice. This document is cleared for public release.

Built-in web server



Machine Information

Location	<input type="text" value="Machine Location"/>	Machine ID	<input type="text" value="Machine ID"/>
Machine Name	<input type="text" value="Machine Name"/>	Measurement Point	<input type="text" value="Measurement Point"/>

MACHINE INFORMATION

User entry of machine identity

Sensor Input

Sensor Type	<input type="text" value="Acceleration"/>	IEPE Power	<input type="text" value="Enabled"/>
Sensitivity (mV/g)	<input type="text" value="100"/>	Serial Number	<input type="text" value="Sensor Serial Number"/>
Averaging Time	<input type="text" value="1 sec"/>		

SENSOR INPUT

User entry of sensor parameters

Frequency Range

F max	<input type="text" value="5 kHz"/>	F min	<input type="text" value="5 Hz"/>
-------	------------------------------------	-------	-----------------------------------

FREQUENCY RANGE

Easily select frequency range

Sensor Band Configuration

	Output Type	F start (Hz)	F stop (Hz)	Detector Type
Band 1	<input type="text" value="Velocity"/>	<input type="text" value="5"/>	<input type="text" value="5000"/>	<input type="text" value="RMS"/>
Band 2	<input type="text" value="Acceleration"/>	<input type="text" value="5"/>	<input type="text" value="5000"/>	<input type="text" value="RMS"/>

SENSOR BAND CONFIGURATION

User-configurable analysis band type and frequency limits

Measurement Results and Alarms

	Result Unit	Present Level	Low Limit Enable	Low Limit Value	High Limit Enable	High Limit Value	Result Status	Alarm Status	Map to Relay
Band 1	<input type="text" value="in/sec"/>	<input type="text" value="1.000 in/sec"/>	<input type="checkbox"/>	<input type="text" value="0"/>	<input type="checkbox"/>	<input type="text" value="500"/>	Disabled	OK	<input type="checkbox"/>
Band 2	<input type="text" value="g"/>	<input type="text" value="1.000 g"/>	<input type="checkbox"/>	<input type="text" value="0"/>	<input type="checkbox"/>	<input type="text" value="500"/>	Disabled	OK	<input type="checkbox"/>
True Peak	<input type="text" value="g"/>	<input type="text" value="1.417 g"/>	<input type="checkbox"/>	<input type="text" value="0"/>	<input type="checkbox"/>	<input type="text" value="500"/>	Disabled	OK	<input type="checkbox"/>
Temperature	<input type="text" value="Fahrenheit"/>	<input type="text" value="32.0 °F"/>	<input type="checkbox"/>	<input type="text" value="32"/>	<input type="checkbox"/>	<input type="text" value="248"/>	Disabled	OK	<input type="checkbox"/>
BOV	<input type="text" value="Volts"/>	<input type="text" value="12.0 Volts"/>	<input checked="" type="checkbox"/>	<input type="text" value="5"/>	<input checked="" type="checkbox"/>	<input type="text" value="16"/>	OK	OK	<input type="checkbox"/>

Alarm Delay Time (sec) Relay Status

Alarm Hold Time (sec) Clear Alarms Force Relay

MEASUREMENT RESULTS AND ALARMS

Measurement results from all bands, selectable alarm levels, and continuous monitoring of alarms

Current Loops

	Loop Source	Full Scale	Level	Destination	Force Loop	Force Value (mA)
Loop A	<input type="text" value="Band 1"/>	<input type="text" value="5"/>	<input type="text" value="in/sec"/> 7.20 mA	<input type="text" value="Loop A Dest"/>	<input type="checkbox"/>	<input type="text" value="10"/>
Loop B	<input type="text" value="Disabled"/>	<input type="text" value="5"/>	<input type="text" value="0.00 mA"/>	<input type="text" value="Loop B Dest"/>	<input type="checkbox"/>	<input type="text" value="10"/>

CURRENT LOOPS

4-20 mA mapping

Network Configuration

IP Address	<input type="text" value="192.168.0.100"/>	Subnet Mask	<input type="text" value="255.255.255.0"/>
Default Gateway	<input type="text" value="192.168.0.1"/>	MAC Address	<input type="text" value="00:50:C2:19:BF:F6"/>

NETWORK CONFIGURATION

Modbus/RS485

Slave Address	<input type="text" value="1"/>	Format	<input type="text" value="RTU"/>
Baud Rate	<input type="text" value="9,600"/>	Parity	<input type="text" value="None"/>

MODBUS/RS485

Multiple communication methods: Modbus TCP, Modbus Serial, RS485

Note: Due to continuous process improvement, specifications are subject to change without notice. This document is cleared for public release.

Данный компонент на территории Российской Федерации

Вы можете приобрести в компании MosChip.

Для оперативного оформления запроса Вам необходимо перейти по данной ссылке:

<http://moschip.ru/get-element>

Вы можете разместить у нас заказ для любого Вашего проекта, будь то серийное производство или разработка единичного прибора.

В нашем ассортименте представлены ведущие мировые производители активных и пассивных электронных компонентов.

Нашей специализацией является поставка электронной компонентной базы двойного назначения, продукции таких производителей как XILINX, Intel (ex.ALTERA), Vicor, Microchip, Texas Instruments, Analog Devices, Mini-Circuits, Amphenol, Glenair.

Сотрудничество с глобальными дистрибьюторами электронных компонентов, предоставляет возможность заказывать и получать с международных складов практически любой перечень компонентов в оптимальные для Вас сроки.

На всех этапах разработки и производства наши партнеры могут получить квалифицированную поддержку опытных инженеров.

Система менеджмента качества компании отвечает требованиям в соответствии с ГОСТ Р ИСО 9001, ГОСТ РВ 0015-002 и ЭС РД 009

Офис по работе с юридическими лицами:

105318, г.Москва, ул.Щербаковская д.3, офис 1107, 1118, ДЦ «Щербаковский»

Телефон: +7 495 668-12-70 (многоканальный)

Факс: +7 495 668-12-70 (доб.304)

E-mail: info@moschip.ru

Skype отдела продаж:

moschip.ru

moschip.ru_4

moschip.ru_6

moschip.ru_9