

1 A low-side gate driver with configurable asymmetric sink/source

Datasheet - production data



Features

- Low-side MOSFET driver
- 1 A sink and 0.8 A source capability
- Complementary outputs for source and sink driving
- Ext. reference for input threshold
- Wide supply voltage range (10 V ÷ 18 V)
- Input and output pull-down resistors
- Short propagation delays
- Input and output UVLO
- Wide operating temperature range: -40 °C to 125 °C
- SOT23-6L package

Applications

- SMPS
- Digital lighting
- Wireless battery chargers
- Digitally controlled MOSFETs

Description

The PM8851 device is a high frequency single channel low-side MOSFET driver specifically designed to work with digital power conversion microcontrollers, such as the STMicroelectronics STLUX™ family of products.

The PM8851 has complementary output pins to differentiate sink and source driving with a current capability of respectively 1 A and 0.8 A.

The input levels of the driver are derived by the voltage present at the IN_TH pin (between 2 V and 5.5 V). This pin is typically connected at the same voltage of the microcontroller supply voltage.

The PM8851 includes both input and output pull-down resistors.

UVLO circuitry for input and output stages is present preventing the IC from driving external MOSFET in unsafe condition.

Table 1. Device summary

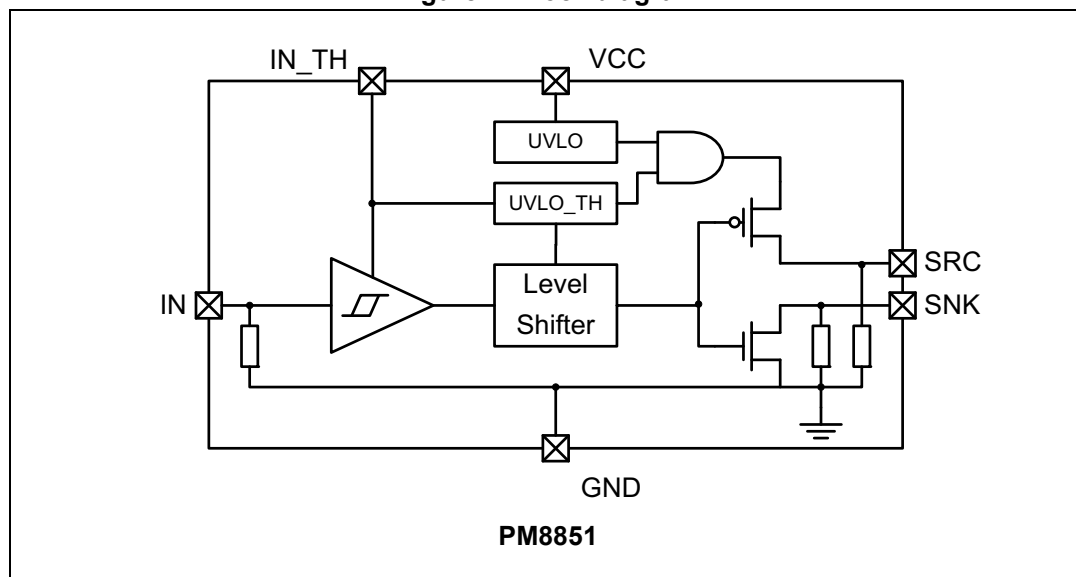
Order code	Option	Package
PM8851D	Low input threshold	SOT23-6L

Contents

1	Block diagram	3
2	Pin connection	4
3	Maximum ratings	5
4	Electrical characteristics	6
5	Typical applications	8
6	Application guidelines	10
6.1	Power supply	10
6.2	Layout suggestions	10
6.3	Driving switches	11
6.4	Power dissipation	11
7	Package information	12
7.1	SOT23-6L package information	13
8	Revision history	14

1 Block diagram

Figure 1. Block diagram



2 Pin connection

Figure 2. Pin connection

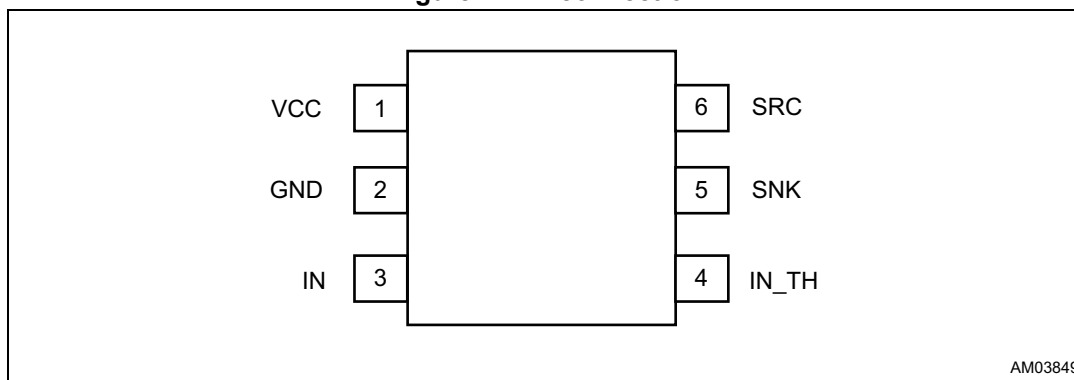


Table 2. Pinning

Symbol	Pin	Description
VCC	1	IC power supply. A voltage comprised between 10 V and 18 V can be connected between this pin and GND to supply the IC.
GND	2	Reference voltage connection.
IN	3	Digital input signal for driver. It is internally pulled down to GND with a 100 k Ω (typ.) equivalent resistor.
IN_TH	4	Input for IN pin's threshold definition: a voltage can be applied obtaining the values for VIH and VIL.
SNK	5	MOSFET gate drive sinking output controlled by the IN pin. A pull-down equivalent resistor [100 k Ω (typ.)] is present.
SRC	6	MOSFET gate drive sourcing output controlled by the IN pin. A pull-down equivalent resistor [100 k Ω (typ.)] is present.

3 Maximum ratings

Table 3. Thermal data

Symbol	Parameter	Value	Unit
R_{thJA}	Thermal resistance junction to ambient (2-layer FR4 PCB, $T_A = 27\text{ °C}$ natural convection)	250	°C/W
R_{thJC}	Thermal resistance junction to case	130	°C/W
T_{MAX}	Maximum junction temperature	150	°C
T_{STG}	Storage temperature range	-40 to 150	°C
T_J	Junction temperature range	-40 to 150	°C
T_A	Operating ambient temperature range	-40 to 125	°C

Table 4. Absolute maximum ratings

Symbol	Parameter	Value	Unit	Note
$V_{VCC,max}$	Maximum IC supply voltage	19	V	IN unconnected, IN_TH = 3.3 V
	Max. negative allowed voltage	- 0.3	V	-
$V_{IN_TH,max}$	Max. positive voltage at IN_TH pin	5.5	V	-
	Max. negative allowed voltage	- 0.3	V	-
$V_{IN,max}$	Maximum voltage at IN pin	5.5	V	-
	Max. negative allowed voltage	- 0.3	V	-
$I_{SRC,rms}$	Maximum RMS output current	40	mA	-
$I_{SNK,rms}$	Maximum RMS output current	60	mA	-

4 Electrical characteristics

($V_{CC} = 12\text{ V}$, $V_{IN_TH} = 3.3\text{ V}$, $T_J = -40 \div 125\text{ °C}$, unless otherwise specified).

Table 5. Electrical characteristics

Symbol	Pin	Parameter	Test condition	Min.	Typ.	Max.	Unit
IC SUPPLY							
V_{CC}	VCC	Operating range	-	11	-	18	V
$V_{CC,on}$	VCC	Turn-on threshold	-	9	10	11	V
$V_{UVLO,hyst}$	VCC	UVLO hysteresis	-	0.5	1	-	V
I_{ST-UP}	VCC	Start-up current	$V_{CC} = V_{CC,on} - 0.5\text{ V}$	-	-	40	μA
$I_{CC,0}$	VCC	Static supply current	$I_N = 0\text{ V}$	-	-	40	μA
$I_{CC,op}$	VCC	Operating supply current	See Figure 4 and Figure 5	-	-	-	-
IN_TH							
V_{IN_TH}	IN_TH	Operating range	-	2	-	5.5	V
$V_{IN_TH,UV}$	IN_TH	IN_TH UVLO	IN_TH short with IN, rising edge	-	1.5	-	V
I_{IN_TH}	IN_TH	IN_TH pin bias current ⁽¹⁾	-	-	-	40	μA
INPUT							
V_{IH}/V_{IN_TH}	IN	Relative input high level threshold	⁽²⁾	36	-	58	%
V_{IL}/V_{IN_TH}	IN	Relative input low level threshold	⁽²⁾	25	-	46	%
V_{IN_Hyst}	IN	Hysteresis	-	7	-	25	%
I_{IN}	IN	IN pin bias current	$V_{IN} = 5\text{ V}$	-	50	-	μA
R_{INPD}	IN	Input pull-down resistance	$V_{IN} = V_{IN_TH}$	-	100	-	$\text{k}\Omega$
T_{D_LH}	IN	IN to GD propagation delay	IN low to high, no load	-	-	30	ns
T_{D_HL}	IN	IN to GD propagation delay	IN high to low, no load	-	-	30	ns
OUTPUT							
$V_{SRC,H}$	SRC	SRC pin high level (when invoked by IN pin)	$I_{src} = 100\text{ mA}$, $T_J = 25\text{ °C}$	-	11.4	-	V
			$I_{src} = 100\text{ mA}$, $T_J = -40 \div 125\text{ °C}$ ⁽¹⁾	-	11.4	-	
$V_{SNK,L}$	SNK	SRC pin low level (when invoked by IN pin)	$I_{snk} = 100\text{ mA}$, $T_J = 25\text{ °C}$	-	0.53	-	V
			$I_{snk} = 100\text{ mA}$, $T_J = -40 \div 125\text{ °C}$ ⁽¹⁾	-	0.53	-	
I_{SRC}	SRC	Source current ⁽¹⁾	$V_{SRC} = V_{CC} / 2$	-	940	-	mA
I_{SNK}	SNK	Sink current ⁽¹⁾	$V_{SNK} = V_{CC} / 2$	-	1.1	-	A
t_R	SRC	Rise time	$C_{OUT} = 470\text{ pF}$	-	-	20	ns
t_F	SNK	Fall time	$C_{OUT} = 470\text{ pF}$	-	-	20	ns
R_{GPD}	SRC SNK	Pull-down resistor	-	-	100	-	$\text{k}\Omega$

1. Not tested in production.

2. Overlapping prevent by hysteresis V_{IN_Hyst} .

Figure 3. Timings

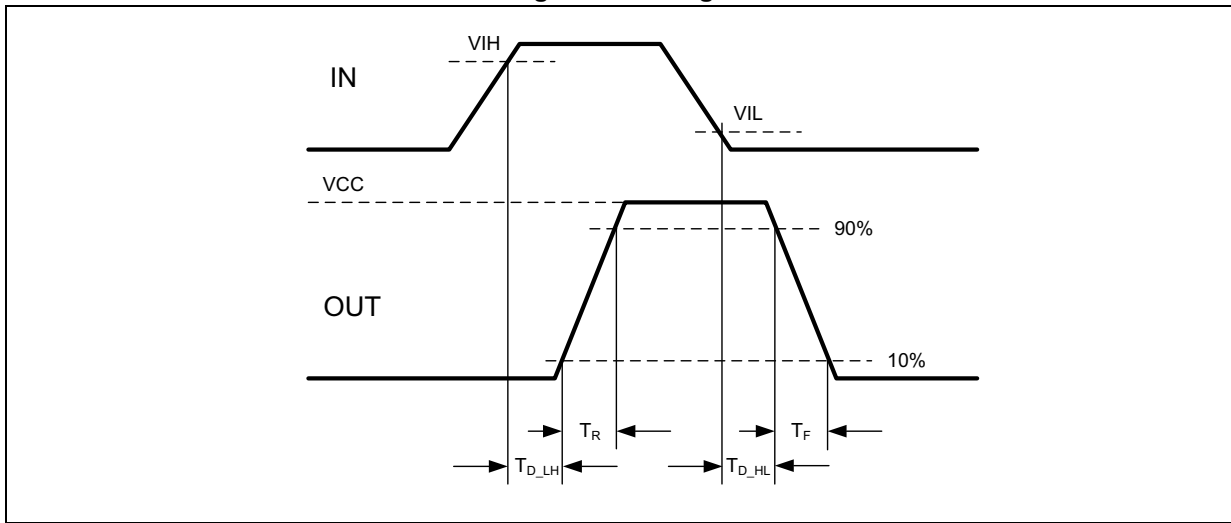


Figure 4. Operating supply current (no load)

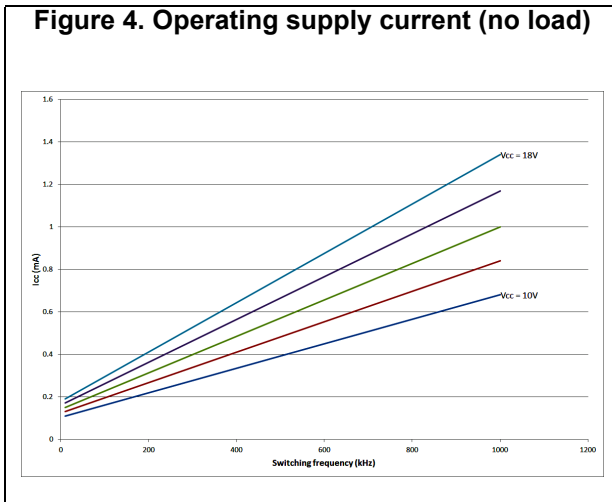


Figure 5. Operating supply current (C_{OUT} = 470 pF)

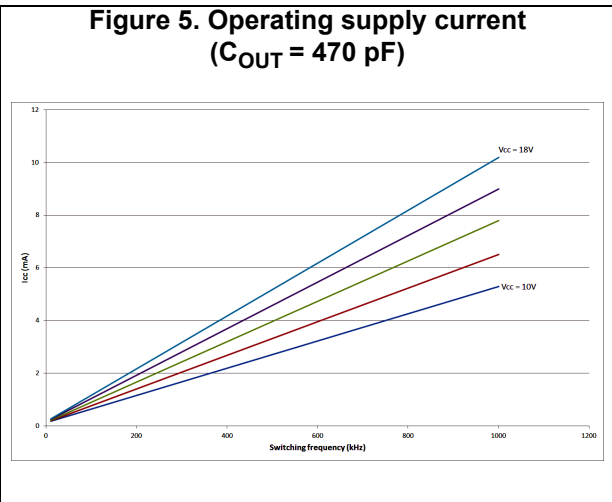
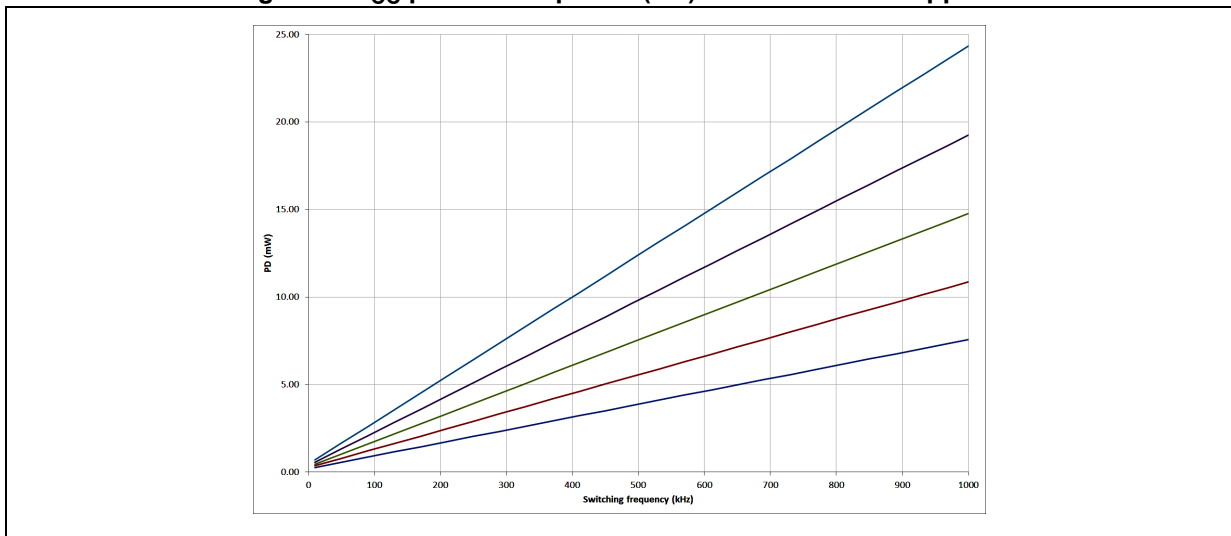


Figure 6. V_{CC} power dissipation (PD) when no load is applied



5 Typical applications

Figure 7. Test circuit

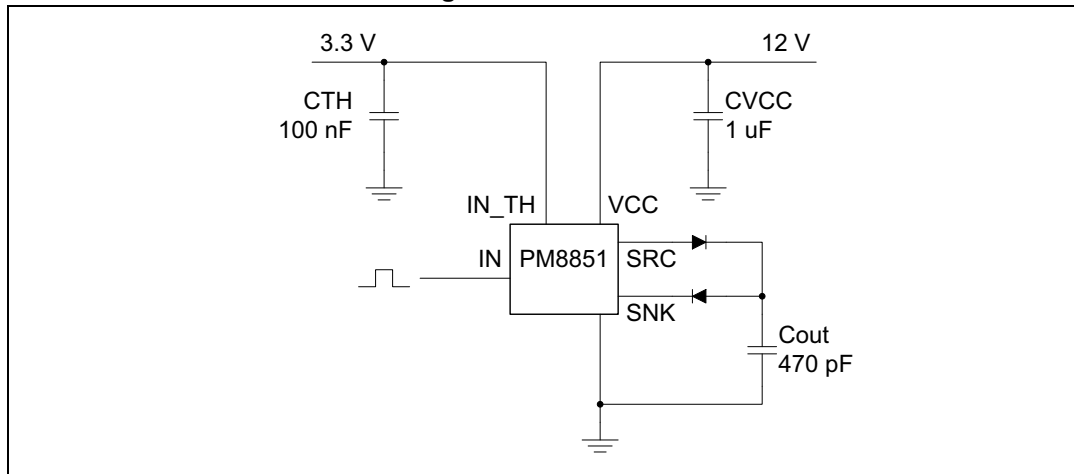


Figure 8. Digitally controlled PFC boost converter

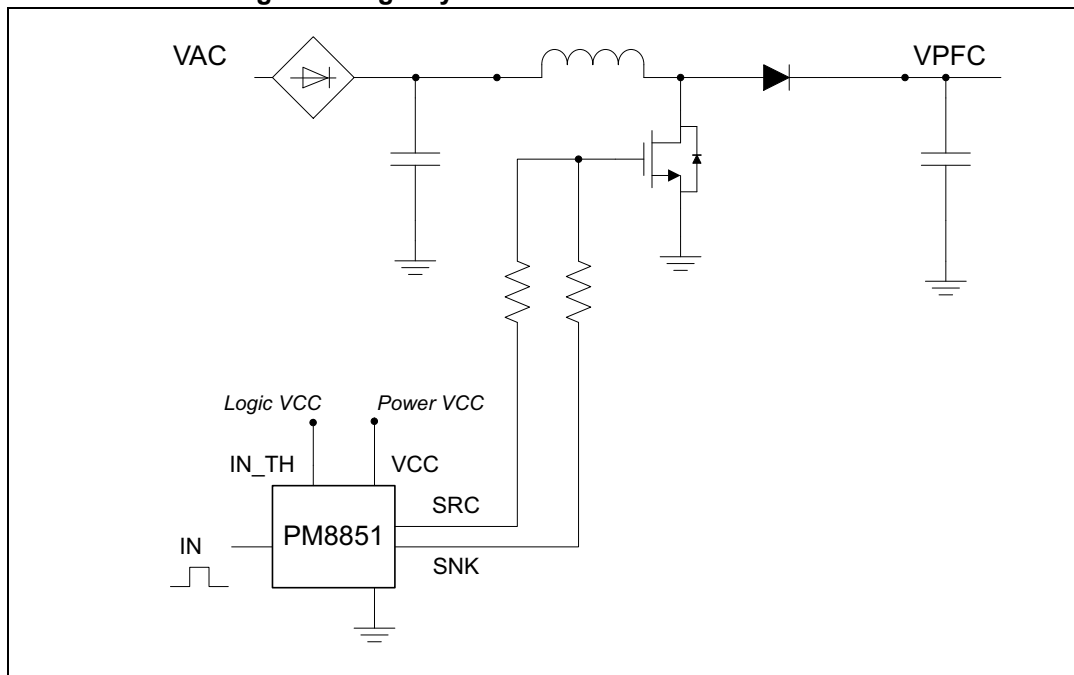


Figure 9. Digitally controlled flyback converter

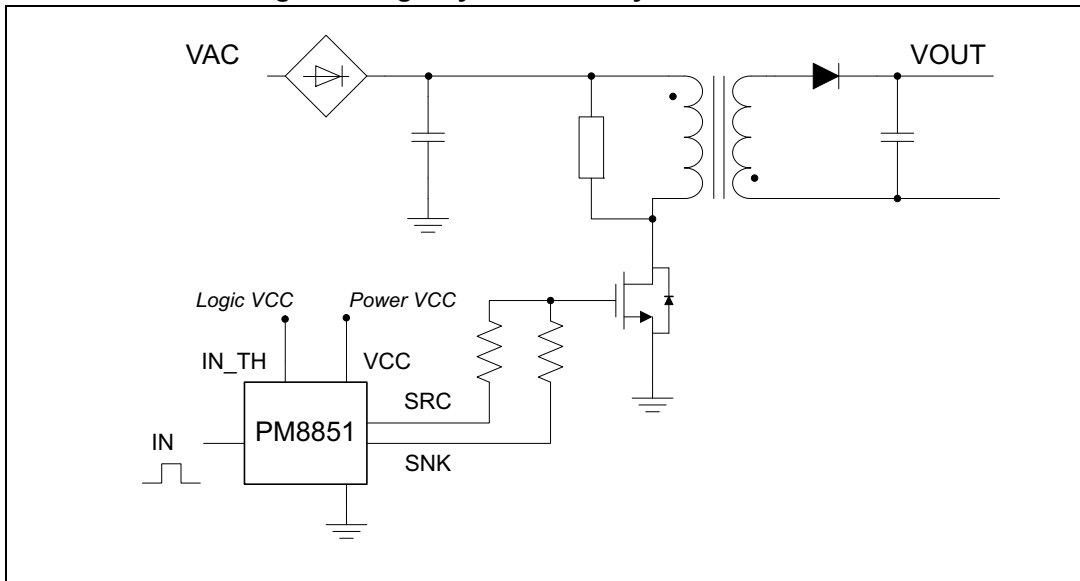
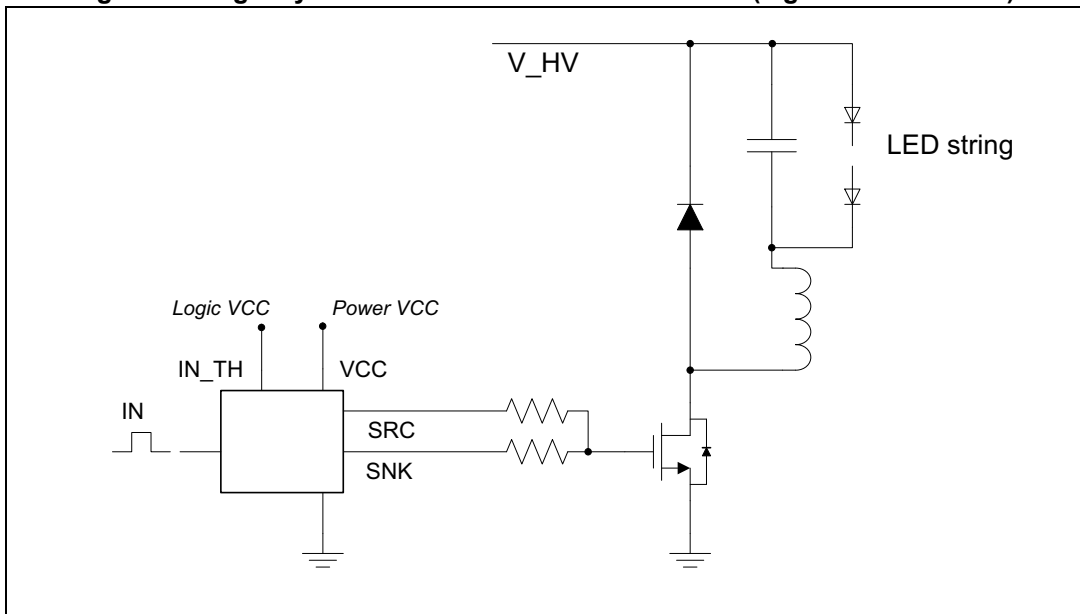


Figure 10. Digitally controlled inverse buck converter (e.g.: LED controller)



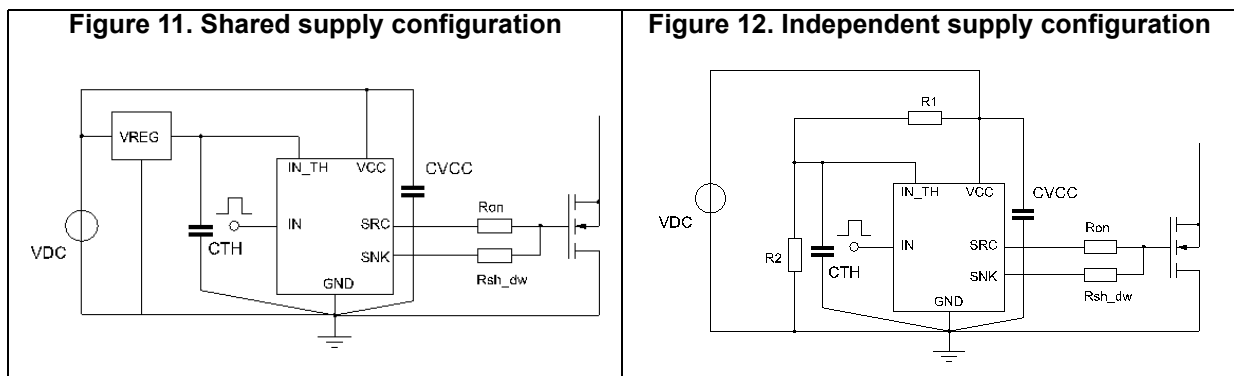
6 Application guidelines

6.1 Power supply

The PM8851 driver is intended to drive power MOSFETs used in power conversion topologies at high speed. The accurate supply voltage definition guarantees an effective driving in every condition. The voltage present at the IN_TH pin is used for the threshold definition. It could be the same voltage used to supply the device providing the signal applied to the IN pin, or it can be derived by the VCC pin, eventually using a voltage divider. It is mainly suggested to provide IN_TH voltage starting from VCC voltage.

For example, an auxiliary, unregulated voltage can be used to be connected to both PM8851 VCC pin and the input of a linear regulator that provides a well regulated supply voltage for logic circuitry. The same low voltage is then provided to the IN_TH pin of the PM8851.

If the IN_TH is derived directly by the VCC pin, the structure illustrated in [Figure 12](#) can be used.



It is mandatory to properly connect a 100 nF ceramic cap as close as possible to the VCC pin to bypass the current's spikes absorbed by VCC during the gate charging.

Also IN_TH voltage should be filtered with a ceramic capacitor (10 nF to 100 nF), especially when long traces are used to supply it; when derived by VCC a lighter filtering is allowed.

6.2 Layout suggestions

The small package of the PM8851 allows to place it very close to the gate of the driven MOSFET: this reduces the risk of injecting high frequency noise produced by the driving current running between the OUT pin and the MOSFET's gate pin.

6.3 Driving switches

The IN pin truth table is reported in [Table 6](#).

Table 6. PM8851 truth table (levels refer to unloaded condition of SNK and SRC)

IN	PM8851	
	SRC	SNK
High	Vcc	Hi-Z
Low	Hi-Z	GND

Differential MOSFET's driving strength is seldom necessary in topologies such as flybacks or boost controlled in the peak current mode. A lower driving current is used to turn-on the MOSFET in order to reduce the EMI produced by the Miller capacitance activation, while a stronger turn-off action is suggested to minimize the turn-off delay and, consequently the deviation between theoretical and practical behaviors.

The same asymmetrical driving strength is required when the IGBT switch is used: in fact the driving strength control is mandatory to avoid latch-up phenomena intrinsically related with this kind of the switch. The asymmetrical driving can be realized using different values for the resistances placed between the MOSFET's gate and the SRC and SNK pins.

When low switching frequencies are required and propagation delays can be compensated, it is possible to drive contemporary the IN pin and the IN_TH pin to exploit the relevant UVLO threshold of the device (typ. 1.5 V) using the PM8851 as a fixed threshold device without any external component: care has to be taken to consider additional propagation delay (typ. 300 ns) after the falling edge of the input signal.

6.4 Power dissipation

Overall power dissipation can be evaluated considering two main contributions: the device related consumption (PD) and the gate driving power demand (PG):

Equation 1

$$P_{Tot} = P_D + P_G$$

The device power consumption can be found in [Figure 6 on page 7](#), it represents the power required by the device to supply internal structures and pull-downs resistors.

The gate driving power dissipation is the power required to deliver to and from the MOSFET's gate the required gate charge:

Equation 2

$$P_G = Q_g \times V_{gs} \times f_{sw}$$

The Q_g value can be found depicted into the MOSFET's datasheet for any applied V_{gs} : V_{gs} can be considered equal to VCC.

7 Package information

In order to meet environmental requirements, ST offers these devices in different grades of ECOPACK[®] packages, depending on their level of environmental compliance. ECOPACK specifications, grade definitions and product status are available at: www.st.com. ECOPACK is an ST trademark.

7.1 SOT23-6L package information

Figure 13. SOT23-6L package outline

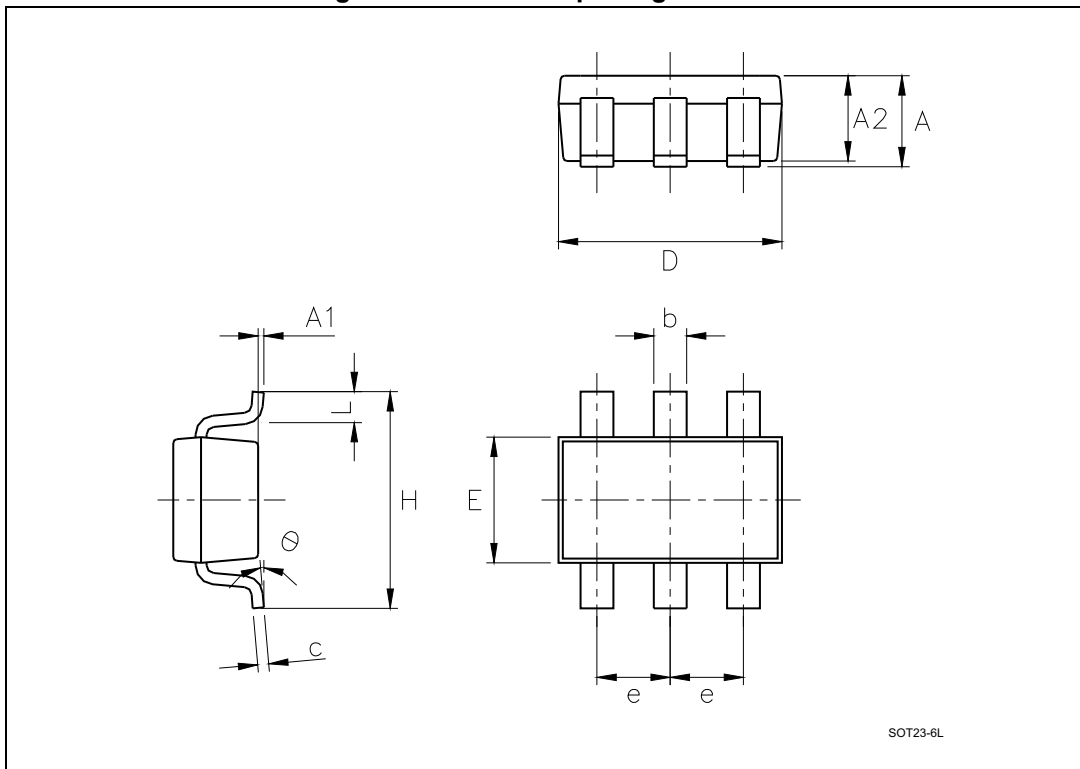


Table 7. SOT23-6L package mechanical data

Symbol	Dimensions ⁽¹⁾					
	mm			inch		
	Min.	Typ.	Max.	Min.	Typ.	Max.
A	-	0.9	1.45	-	0.035	0.057
A1	-	0	0.1	-	0	0.0039
A2	-	0.9	1.3	-	0.035	0.0512
b	-	0.35	0.5	-	0.014	0.02
c	-	0.09	0.2	-	0.004	0.008
D	-	2.8	3.05	-	0.11	0.120
E	-	1.5	1.75	-	0.059	0.0689
e	0.95	-	-	0.037	-	-
H	-	2.6	3	-	0.102	0.118
L	-	0.1	0.6	-	0.004	0.024
θ (degrees)	-	0°	10°	-	0°	10°

1. Dimensions per JEDEC MO178AB.

8 Revision history

Table 8. Document revision history

Date	Revision	Changes
23-Oct-2014	1	Initial release.
18-Jun-2018	2	Updated Table 5 on page 6 . Minor modifications throughout document.

IMPORTANT NOTICE – PLEASE READ CAREFULLY

STMicroelectronics NV and its subsidiaries ("ST") reserve the right to make changes, corrections, enhancements, modifications, and improvements to ST products and/or to this document at any time without notice. Purchasers should obtain the latest relevant information on ST products before placing orders. ST products are sold pursuant to ST's terms and conditions of sale in place at the time of order acknowledgement.

Purchasers are solely responsible for the choice, selection, and use of ST products and ST assumes no liability for application assistance or the design of Purchasers' products.

No license, express or implied, to any intellectual property right is granted by ST herein.

Resale of ST products with provisions different from the information set forth herein shall void any warranty granted by ST for such product.

ST and the ST logo are trademarks of ST. All other product or service names are the property of their respective owners.

Information in this document supersedes and replaces information previously supplied in any prior versions of this document.

© 2018 STMicroelectronics – All rights reserved



Данный компонент на территории Российской Федерации

Вы можете приобрести в компании MosChip.

Для оперативного оформления запроса Вам необходимо перейти по данной ссылке:

<http://moschip.ru/get-element>

Вы можете разместить у нас заказ для любого Вашего проекта, будь то серийное производство или разработка единичного прибора.

В нашем ассортименте представлены ведущие мировые производители активных и пассивных электронных компонентов.

Нашей специализацией является поставка электронной компонентной базы двойного назначения, продукции таких производителей как XILINX, Intel (ex.ALTERA), Vicor, Microchip, Texas Instruments, Analog Devices, Mini-Circuits, Amphenol, Glenair.

Сотрудничество с глобальными дистрибьюторами электронных компонентов, предоставляет возможность заказывать и получать с международных складов практически любой перечень компонентов в оптимальные для Вас сроки.

На всех этапах разработки и производства наши партнеры могут получить квалифицированную поддержку опытных инженеров.

Система менеджмента качества компании отвечает требованиям в соответствии с ГОСТ Р ИСО 9001, ГОСТ РВ 0015-002 и ЭС РД 009

Офис по работе с юридическими лицами:

105318, г.Москва, ул.Щербаковская д.3, офис 1107, 1118, ДЦ «Щербаковский»

Телефон: +7 495 668-12-70 (многоканальный)

Факс: +7 495 668-12-70 (доб.304)

E-mail: info@moschip.ru

Skype отдела продаж:

moschip.ru

moschip.ru_4

moschip.ru_6

moschip.ru_9