



# Cree Performance XHP70 LED Module

Power of Cree XHP Series in Standard and Custom LED modules

# Data Sheet

## Illumination Accelerated

**Design Faster** – use standard, UL-listed modules

**Superior Performance & Cost** – top flux bin LEDs at competitive prices

**Thermal Interface Included** – pre-installed to simplify assembly

**Add Standard Optics** – configured for off-the-shelf optics

## Primary Applications



|               |          |
|---------------|----------|
| High Mast     | Canopy   |
| Streetlight   | Garage   |
| Stadium       | Portable |
| Architectural | High bay |



## Superior Performance in Standard & Custom Modules

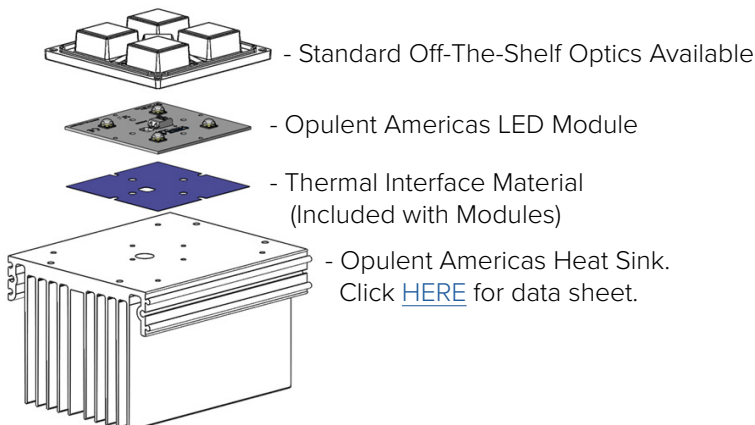
- Market leading L90 & L70 lifetimes, even in high stress conditions
- 70, 80, and 90 CRI LEDs available
- Metal core PCB for optimal thermal management
- Configurable with off the shelf optics, and heat sinks
- Private label or custom designs available

## Simplify Your Next Design

The Cree performance modules, built with Cree SC5 technology, are an off-the-shelf platform to rapidly move from prototype to finished LED lighting fixture. These versatile building blocks are UL-listed and include Cree XHP35, XHP50 & XHP70 LEDs in square, linear or rectangle formats. The thermal interface is already installed with easy to use connectors to help simplify the lighting design and get to market faster. These competitively priced modules come in a range of lumen outputs and can achieve both DLC Premium or DLC Standard lumens per watt specifications.

## Integrate Further

Opulent Americas also offers standard heat sinks and fully assembled IP-rated modules.



## About Opulent Americas

Opulent Americas, part of Singapore based Opulent Group, is a fully integrated, global manufacturer for the lighting, automotive and medical industries. Through 30 years of manufacturing experience and state-of-the-art facilities, the company offers leading solid state lighting components and modules. The NC-based office provides quick engineering & sales support with an R&D lab to provide prototype development and custom solutions. See [Opulent-Americas.com](http://Opulent-Americas.com) for more information.



# XHP70 Series Specifications

## Product Selection Table

| Configuration         | LED Layout | Part Number            | CCT   | CRI | Binning | Luminous Flux (lm) |       | Efficacy Nominal (lm/W) | Watts (W) |                        |
|-----------------------|------------|------------------------|-------|-----|---------|--------------------|-------|-------------------------|-----------|------------------------|
|                       |            |                        |       |     |         | Nominal            | Max   |                         | Nominal   | Max                    |
| Square <sup>(1)</sup> | Single     | XHP70A-0S-01-0D0HM227G | 2700K | 80  | 3-Step  | 1380               | 2639  | 113                     | 12.1      | 30                     |
| Square <sup>(1)</sup> | Single     | XHP70A-0S-01-0D0BM430E | 3000K | 70  | 5-Step  | 1485               | 2839  | 122                     | 12.1      | 30                     |
| Square <sup>(1)</sup> | Single     | XHP70A-0S-01-0D0BN240E | 4000K | 70  | 5-Step  | 1590               | 3040  | 131                     | 12.1      | 30                     |
| Square <sup>(1)</sup> | Single     | XHP70A-0S-01-0D0BN450E | 5000K | 70  | 5-Step  | 1710               | 3270  | 140                     | 12.1      | 30                     |
| Square <sup>(1)</sup> | Single     | XHP70A-0S-01-0D0BN40E2 | 5700K | 70  | ANSI    | 1710               | 3270  | 140                     | 12.1      | 30                     |
| Linear <sup>(1)</sup> | 1x2        | XHP70A-0L-02-0D0HM227G | 2700K | 80  | 3-Step  | 2760               | 5278  | 113                     | 24.2      | 60                     |
| Linear <sup>(1)</sup> | 1x2        | XHP70A-0L-02-0D0BM430E | 3000K | 70  | 5-Step  | 2970               | 5678  | 122                     | 24.2      | 60                     |
| Linear <sup>(1)</sup> | 1x2        | XHP70A-0L-02-0D0BN240E | 4000K | 70  | 5-Step  | 3180               | 6080  | 131                     | 24.2      | 60                     |
| Linear <sup>(1)</sup> | 1x2        | XHP70A-0L-02-0D0BN450E | 5000K | 70  | 5-Step  | 3420               | 6541  | 140                     | 24.2      | 60                     |
| Linear <sup>(1)</sup> | 1x2        | XHP70A-0L-02-0D0BN40E2 | 5700K | 70  | ANSI    | 3420               | 6541  | 140                     | 24.2      | 60                     |
| Linear <sup>(1)</sup> | 1x3        | XHP70A-0L-03-0D0HM227G | 2700K | 80  | 3-Step  | 4140               | 7917  | 113                     | 36.3      | 90                     |
| Linear <sup>(1)</sup> | 1x3        | XHP70A-0L-03-0D0BM430E | 3000K | 70  | 5-Step  | 4455               | 8517  | 122                     | 36.3      | 90                     |
| Linear <sup>(1)</sup> | 1x3        | XHP70A-0L-03-0D0BN240E | 4000K | 70  | 5-Step  | 4770               | 9120  | 131                     | 36.3      | 90                     |
| Linear <sup>(1)</sup> | 1x3        | XHP70A-0L-03-0D0BN450E | 5000K | 70  | 5-Step  | 5130               | 9811  | 140                     | 36.3      | 90                     |
| Linear <sup>(1)</sup> | 1x3        | XHP70A-0L-03-0D0BN40E2 | 5700K | 70  | ANSI    | 5130               | 9811  | 140                     | 36.3      | 90                     |
| Linear <sup>(1)</sup> | 1x4        | XHP70A-0L-04-0D0HM227G | 2700K | 80  | 3-Step  | 5520               | 10556 | 113                     | 48.4      | 100/119 <sup>(2)</sup> |
| Linear <sup>(1)</sup> | 1x4        | XHP70A-0L-04-0D0BM430E | 3000K | 70  | 5-Step  | 5940               | 11356 | 122                     | 48.4      | 100/119 <sup>(2)</sup> |
| Linear <sup>(1)</sup> | 1x4        | XHP70A-0L-04-0D0BN240E | 4000K | 70  | 5-Step  | 6360               | 12160 | 131                     | 48.4      | 100/119 <sup>(2)</sup> |
| Linear <sup>(1)</sup> | 1x4        | XHP70A-0L-04-0D0BN450E | 5000K | 70  | 5-Step  | 6840               | 13081 | 140                     | 48.4      | 100/119 <sup>(2)</sup> |
| Linear <sup>(1)</sup> | 1x4        | XHP70A-0L-04-0D0BN40E2 | 5700K | 70  | ANSI    | 6840               | 13081 | 140                     | 48.4      | 100/119 <sup>(2)</sup> |
| Square <sup>(1)</sup> | 2x2        | XHP70A-0S-04-0D0HM227G | 2700K | 80  | 3-Step  | 5520               | 10556 | 113                     | 48.4      | 100/119 <sup>(2)</sup> |
| Square <sup>(1)</sup> | 2x2        | XHP70A-0S-04-0D0BM430E | 3000K | 70  | 5-Step  | 5940               | 11356 | 122                     | 48.4      | 100/119 <sup>(2)</sup> |
| Square <sup>(1)</sup> | 2x2        | XHP70A-0S-04-0D0BN240E | 4000K | 70  | 5-Step  | 6360               | 12160 | 131                     | 48.4      | 100/119 <sup>(2)</sup> |
| Square <sup>(1)</sup> | 2x2        | XHP70A-0S-04-0D0BN450E | 5000K | 70  | 5-Step  | 6840               | 13081 | 140                     | 48.4      | 100/119 <sup>(2)</sup> |
| Square <sup>(1)</sup> | 2x2        | XHP70A-0S-04-0D0BN40E2 | 5700K | 70  | ANSI    | 6840               | 13081 | 140                     | 48.4      | 100/119 <sup>(2)</sup> |

<sup>(1)</sup> Nominal product performance at 1050mA Tj = 85°C.

<sup>(2)</sup> Input power not to exceed 100W for UL Class 2. Suitability for usage in other than Class 2 circuits shall be determined in the end-product investigation.

<sup>(3)</sup> Cree XLamp XHP70 LED order codes specify only a minimum flux bin and not a maximum. Opulent Americas may ship modules in flux bins higher than the minimum specified by the order code without advance notice. Shipments will always adhere to the chromaticity bin restrictions specified by the order code.



# XHP70 Series Specifications

## Order Code Formatting



# XHP70 Series Specifications

## Electrical Characteristics

| Part Number    | Forward Voltage (v) |         | Typical Thermal Resistance -<br>Junction to Solder Point (°C/W) RTh J-HS |
|----------------|---------------------|---------|--|
|                | Typical             | Maximum |  |
| XHP70A-0S-01-x | 11.6                | 12.4    | 0.9  |
| XHP70A-0L-02-x | 23.2                | 24.8    | 0.9  |
| XHP70A-0L-03-x | 34.8                | 37.2    | 0.9  |
| XHP70A-0L-04-x | 46.4                | 49.6    | 0.9  |
| XHP70A-0S-04-x | 46.4                | 49.6    | 0.9  |

Intended for connection to a class 2 power source with a maximum operating voltage of 50 Vdc

## Maximum Ratings

| Part Number    | DC Current (A) | Tsp Temp (°C) | Power (W)              |
|----------------|----------------|---------------|------------------------|
| XHP70A-0S-01-x | 2.4            | 105           | 30                     |
| XHP70A-0L-02-x | 2.4            | 105           | 60                     |
| XHP70A-0L-03-x | 2.4            | 105           | 90                     |
| XHP70A-0L-04-x | 2.4            | 105           | 100/119 <sup>(1)</sup> |
| XHP70A-0S-04-x | 2.4            | 105           | 100/119 <sup>(1)</sup> |

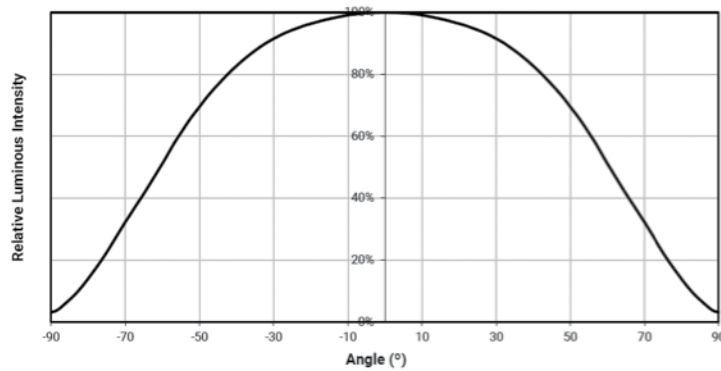
<sup>(1)</sup> Input power not to exceed 100W for UL Class 2. Suitability for usage in other than Class 2 circuits shall be determined in the end-product investigation.

## Relative Flux Vs Board Current (TJ = 85°C)



# XHP70 Series Specifications

## Spatial Distribution



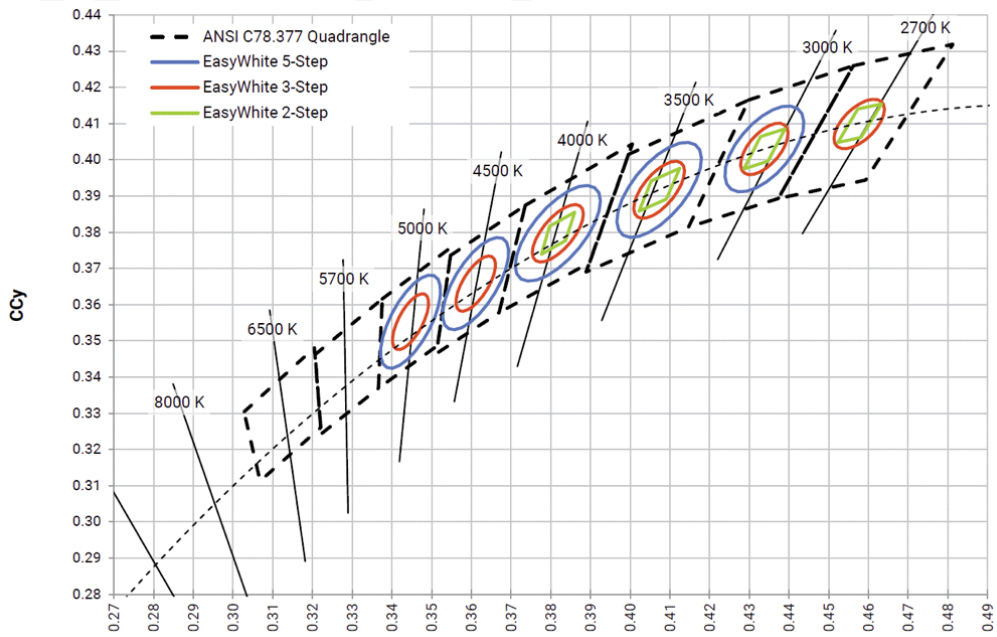
## Performance Groups – Chromaticity

| Binning | CCT   | X      | Y      |
|---------|-------|--------|--------|
| ANSI    | 5700K | 0.3207 | 0.3462 |
|         |       | 0.3376 | 0.3616 |
|         |       | 0.3366 | 0.3369 |
|         |       | 0.3222 | 0.3243 |

| Binning | CCT   | Center Point |        | Major Axis |         | Rotation Angle (°) |
|---------|-------|--------------|--------|------------|---------|--------------------|
|         |       | X            | Y      | a          | b       |                    |
| 5-Step  | 5000K | 0.3447       | 0.3553 | 0.01400    | 0.00520 | 65.0               |
| 5-Step  | 4000K | 0.3818       | 0.3797 | 0.001420   | 0.00550 | 61.5               |
| 5-Step  | 3000K | 0.4338       | 0.4030 | 0.01390    | 0.00680 | 53.2               |
| 3-Step  | 2700K | 0.4577       | 0.4099 | 0.01350    | 0.00700 | 48.5               |

# XHP70 Series Specifications

Standard White Chromaticity Regions Plotted On The CIE 1931 Curve



# XHP70 Series Specifications

## Thermal Interface Properties

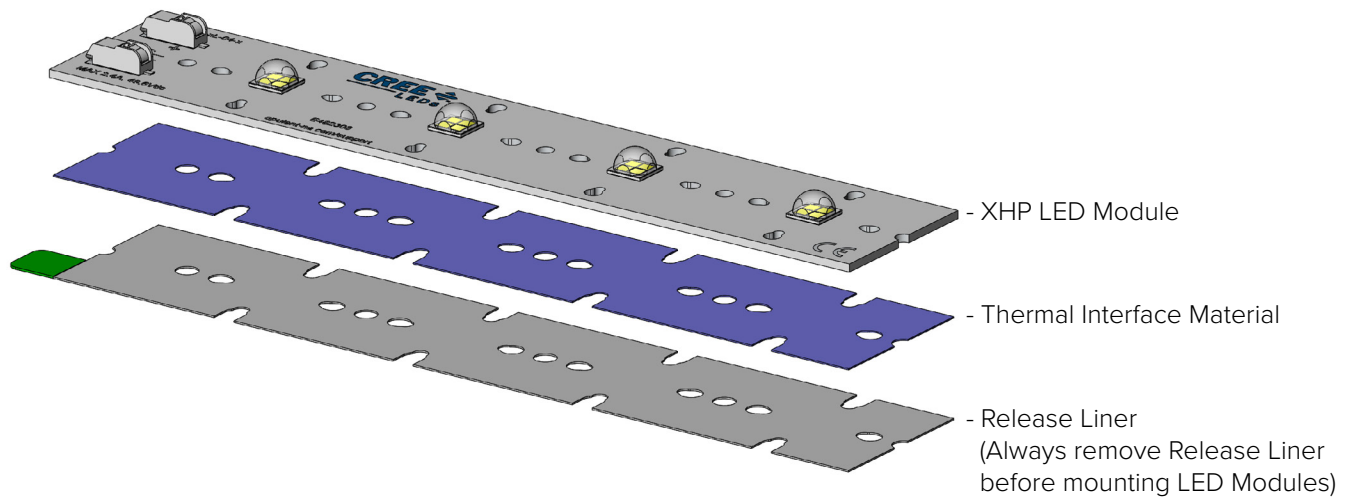
| Property             | Test Method | Value              | Unit  |
|----------------------|-------------|--------------------|-------|
| Color                | -           | Blue               | -     |
| Thickness            | ASTM D374   | 0.3                | mm    |
| Construction         | -           | Silicone / Ceramic | -     |
| Temperature Range    | EN344       | -50-200            | °C    |
| Breakdown Voltage    | ASTM D149   | >8.0               | Kv/mm |
| Flame Rating         | UL94        | V-0                | -     |
| Thermal Conductivity | ASTM D5470  | 3.0                | W/m-K |

Intended for connection to a class 2 power source with a maximum operating voltage of 50 Vdc

Note: Release liner must be removed for proper thermal performance. Do not remove thermal Interface Material.

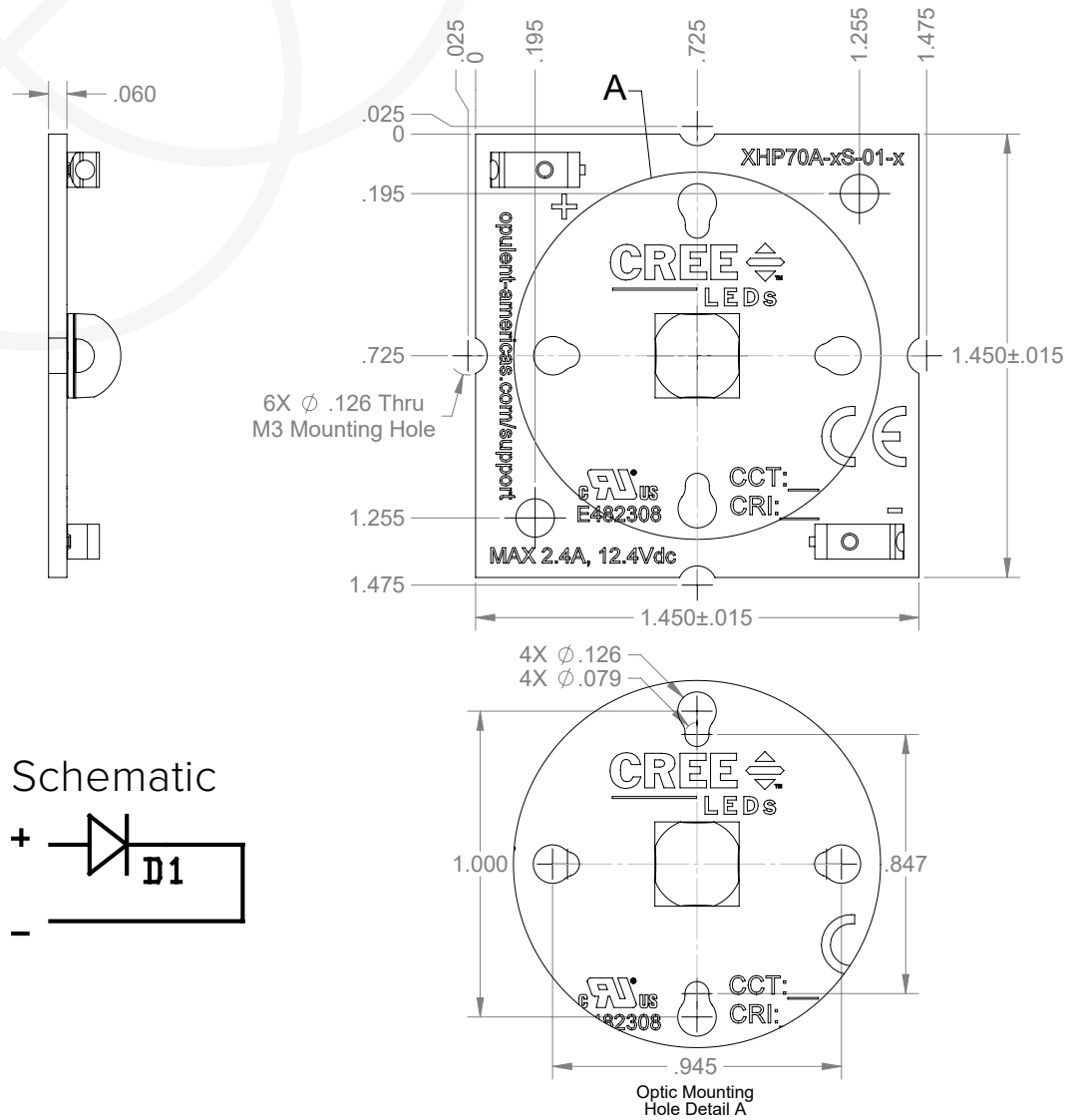
## Board Material Properties

| Property          | Value | Unit |
|-------------------|-------|------|
| Solder Mask Color | White | -    |
| Thickness         | .062  | in   |
| Construction      | AL    | -    |
| Temperature       | 130   | °C   |
| Flame Rating      | V-0   | -    |
| Copper Thickness  | 2     | oz   |

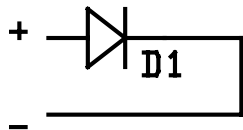


# XHP70 Series Specifications

## Opulent Americas Square 1 LED XHP70 Module



### Schematic



1. Single Poke-In Connectors accept 22-26 AWG solid or stranded wire
2. Recommended Mounting Hardware: 6x M3-.5 Socket Head Cap Screws

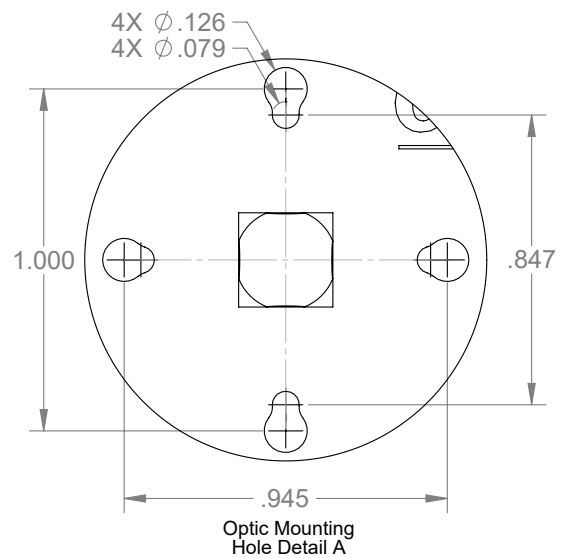
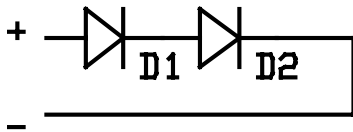


# XHP70 Series Specifications

## Opulent Americas Linear 2 LED XHP70 Module



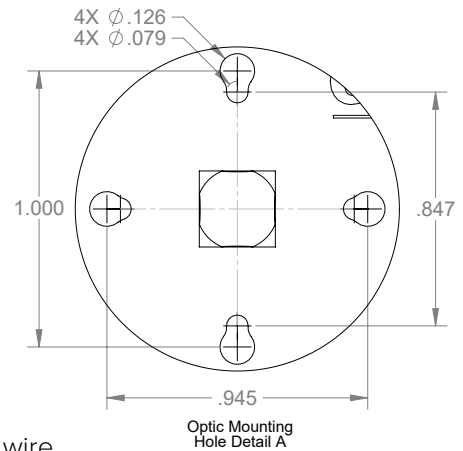
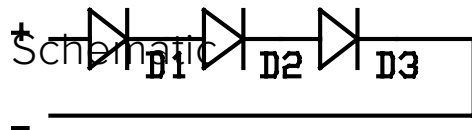
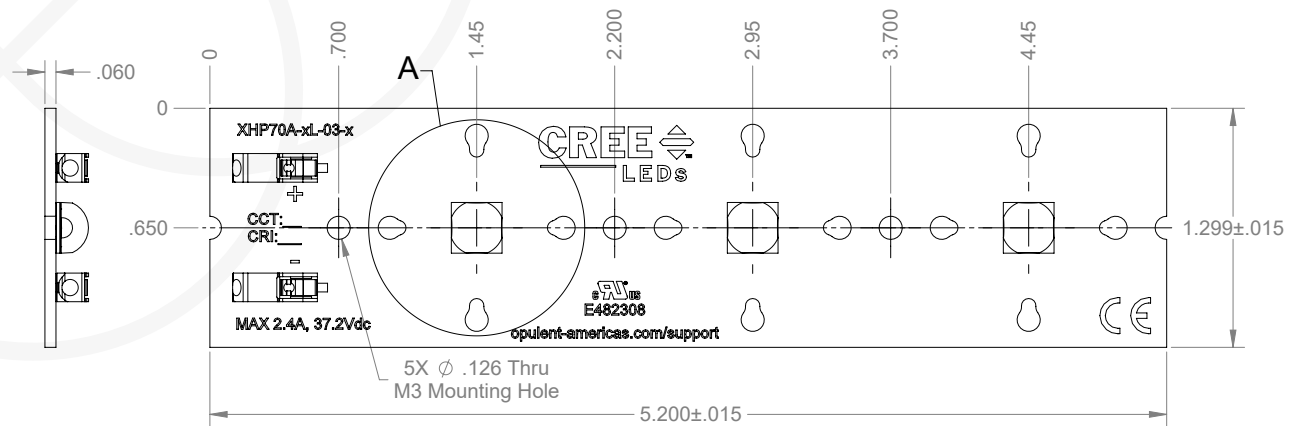
### Schematic



1. Single Poke-In Connectors accept 18-24 AWG solid or stranded wire
2. Recommended Mounting Hardware: 4x M3-5 Socket Head Cap Screws

# XHP70 Series Specifications

## Opulent Americas Linear 3 LED XHP70 Module



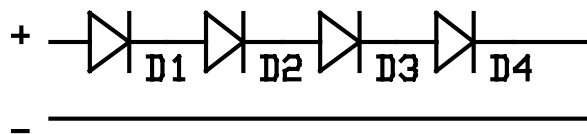
1. Single Poke-In Connectors accept 18-24 AWG solid or stranded wire
2. Recommended Mounting Hardware: 5x M3-5 Socket Head Cap Screws

# XHP70 Series Specifications

## Opulent Americas Linear 4 LED XHP70 Module



### Schematic



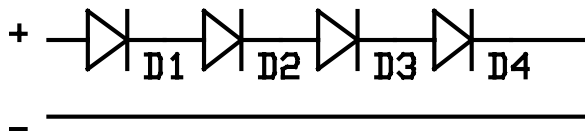
1. Single Poke-In Connectors accept 18-24 AWG solid or stranded wire
2. Recommended Mounting Hardware: 6x M3-.5 Socket Head Cap Screws

# XHP70 Series Specifications

## Opulent Americas Square 4 LED XHP70 Module



### Schematic



1. Dual Poke-In Connectors accept 18-24 AWG solid or stranded wire
2. Recommended Mounting Hardware: 4x M3-5 Socket Head Cap Screws

## Данный компонент на территории Российской Федерации

### Вы можете приобрести в компании MosChip.

Для оперативного оформления запроса Вам необходимо перейти по данной ссылке:

<http://moschip.ru/get-element>

Вы можете разместить у нас заказ для любого Вашего проекта, будь то серийное производство или разработка единичного прибора.

В нашем ассортименте представлены ведущие мировые производители активных и пассивных электронных компонентов.

Нашей специализацией является поставка электронной компонентной базы двойного назначения, продукции таких производителей как XILINX, Intel (ex.ALTERA), Vicor, Microchip, Texas Instruments, Analog Devices, Mini-Circuits, Amphenol, Glenair.

Сотрудничество с глобальными дистрибьюторами электронных компонентов, предоставляет возможность заказывать и получать с международных складов практически любой перечень компонентов в оптимальные для Вас сроки.

На всех этапах разработки и производства наши партнеры могут получить квалифицированную поддержку опытных инженеров.

Система менеджмента качества компании отвечает требованиям в соответствии с ГОСТ Р ИСО 9001, ГОСТ РВ 0015-002 и ЭС РД 009

### Офис по работе с юридическими лицами:

105318, г.Москва, ул.Щербаковская д.3, офис 1107, 1118, ДЦ «Щербаковский»

Телефон: +7 495 668-12-70 (многоканальный)

Факс: +7 495 668-12-70 (доб.304)

E-mail: [info@moschip.ru](mailto:info@moschip.ru)

Skype отдела продаж:

moschip.ru

moschip.ru\_4

moschip.ru\_6

moschip.ru\_9