

74HC4538

Dual retriggerable precision monostable multivibrator

Rev. 5 — 17 March 2017

Product data sheet

1 General description

The 74HC4538 is a dual retriggerable-resettable monostable multivibrator. Each multivibrator has two trigger/retrigger inputs ($n\bar{A}$ and nB), a direct reset input ($n\bar{CD}$), two complementary outputs (nQ and $n\bar{Q}$), and two pins ($nREXT/CEXT$ and $nCEXT$) for connecting the external timing components C_{EXT} and R_{EXT} . Typical pulse width variation over temperature range is $\pm 0.2\%$. The device may be triggered by either the positive or the negative edges of the input pulse. The duration and accuracy of the output pulse are determined by the external timing components C_{EXT} and R_{EXT} . The output pulse width (T_W) is equal to $0.7 \times R_{EXT} \times C_{EXT}$. The linear design techniques guarantee precise control of the output pulse width. A LOW level at $n\bar{CD}$ terminates the output pulse immediately. Schmitt-trigger action in the trigger inputs makes the circuit highly tolerant to slower rise and fall times. Inputs include clamp diodes. This enables the use of current limiting resistors to interface inputs to voltages in excess of V_{CC} .

2 Features and benefits

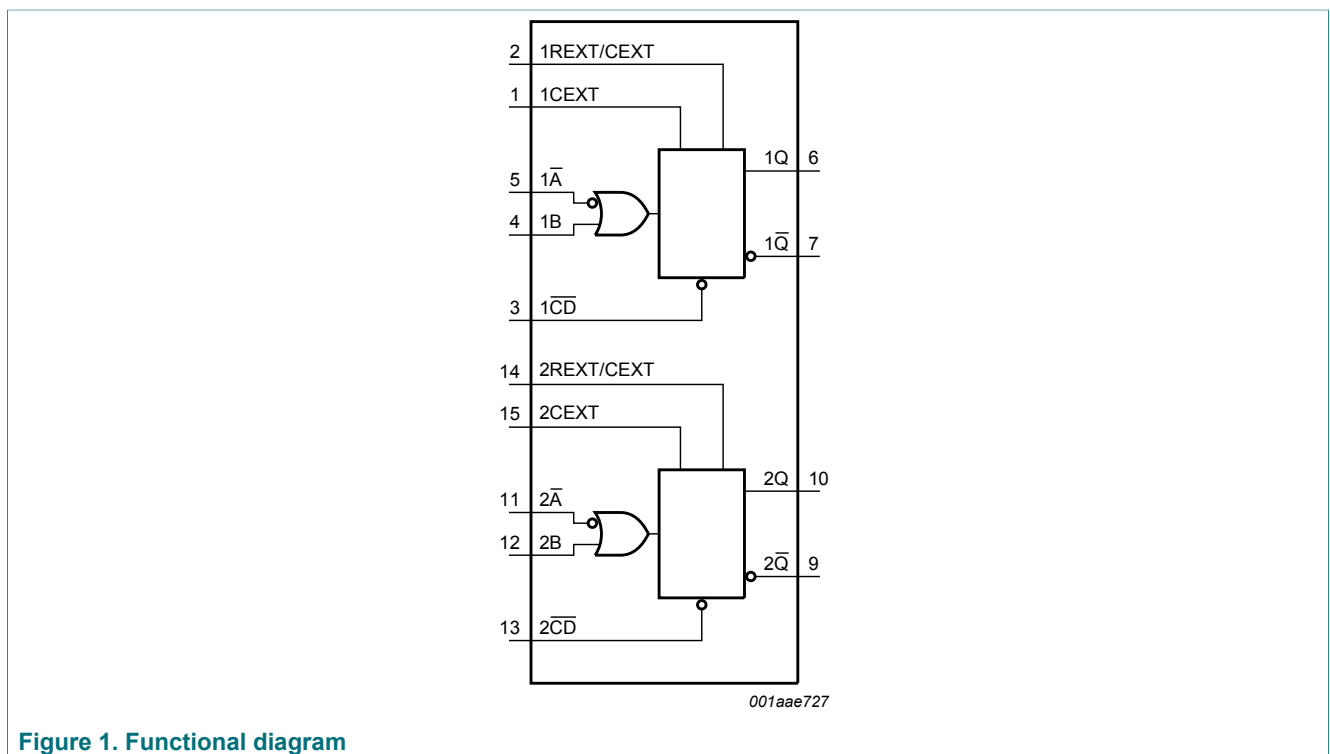
- Tolerant of slow trigger rise and fall times
- Separate reset inputs
- Triggering from falling or rising edge
- Complies with JEDEC standard no. 7A
- CMOS input levels:
- ESD protection:
 - HBM JESD22-A114F exceeds 2000 V
 - MM JESD22-A115-A exceeds 200 V
- Multiple package options
- Specified from $-40\text{ }^\circ\text{C}$ to $+85\text{ }^\circ\text{C}$ and from $-40\text{ }^\circ\text{C}$ to $+125\text{ }^\circ\text{C}$

3 Ordering information

Table 1. Ordering information

| Type number | Package | | | Version |
|-------------|-------------------|---------|---|----------|
| | Temperature range | Name | Description | |
| 74HC4538D | -40 °C to +125 °C | SO16 | plastic small outline package; 16 leads; body width 3.9 mm | SOT109-1 |
| 74HC4538DB | -40 °C to +125 °C | SSOP16 | plastic shrink small outline package; 16 leads; body width 5.3 mm | SOT338-1 |
| 74HC4538PW | -40 °C to +125 °C | TSSOP16 | plastic thin shrink small outline package; 16 leads; body width 4.4 mm | SOT403-1 |

4 Functional diagram



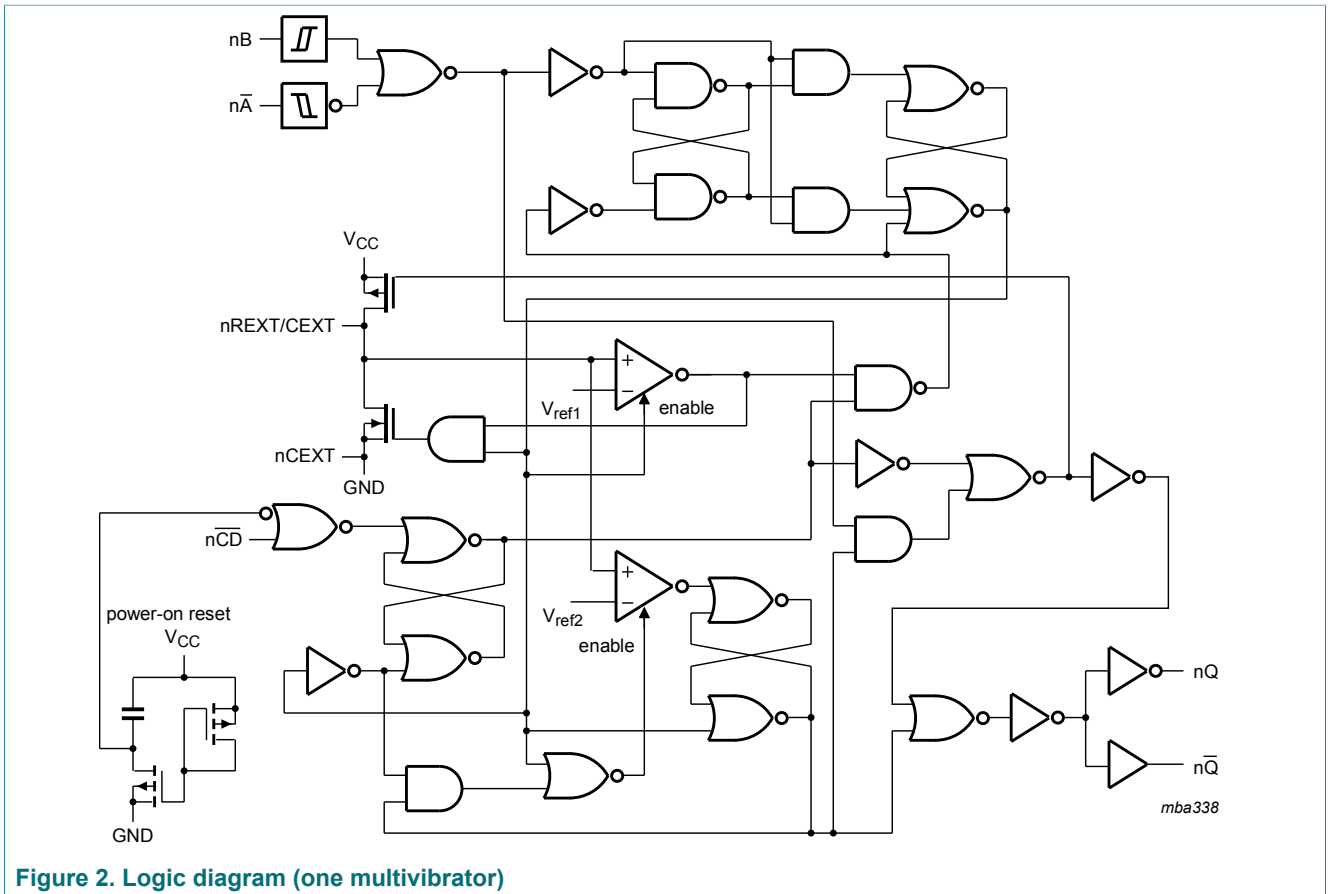


Figure 2. Logic diagram (one multivibrator)

5 Pinning information

5.1 Pinning

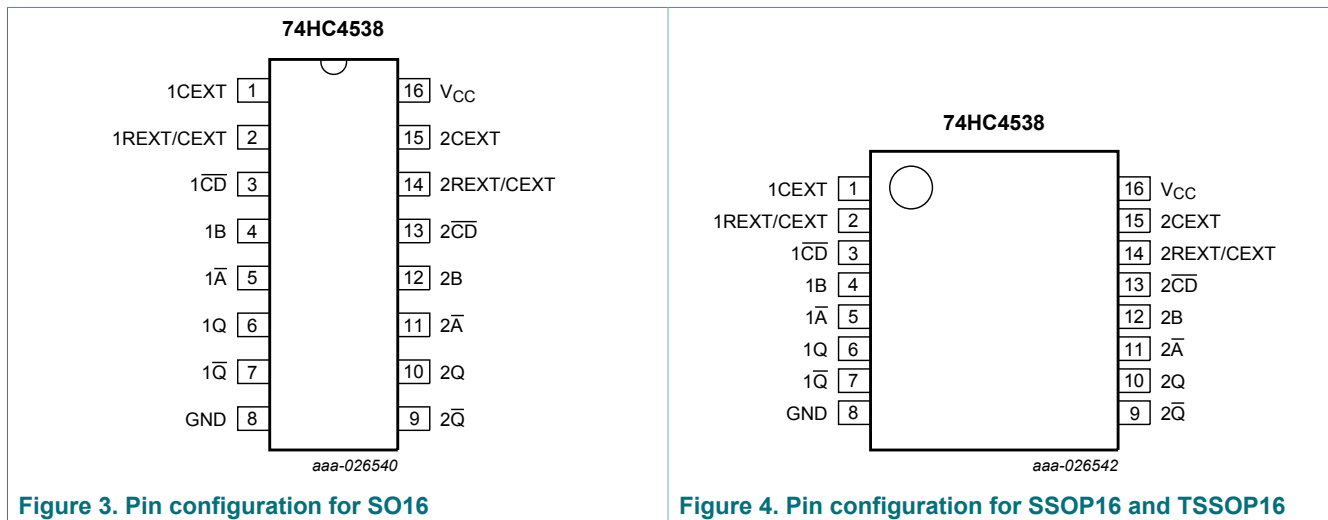


Figure 3. Pin configuration for SO16

Figure 4. Pin configuration for SSOP16 and TSSOP16

5.2 Pin description

Table 2. Pin description

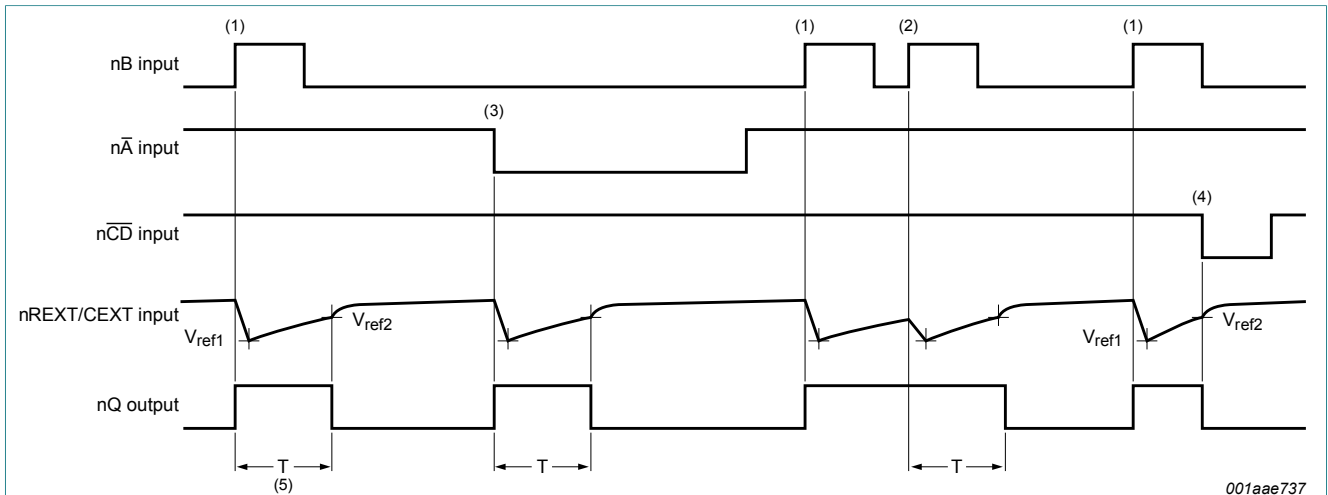
| Symbol | Pin | Description |
|---------------------------------------|-------|--|
| 1CEXT, 2CEXT | 1, 15 | external capacitor connection (always connected to ground) |
| 1REXT/CEXT, 2REXT/CEXT | 2, 14 | external capacitor/resistor connection |
| 1 \overline{CD} , 2 \overline{CD} | 3, 13 | direct reset input (active LOW) |
| 1B, 2B | 4, 12 | input (LOW to HIGH triggered) |
| 1 \overline{A} , 2 \overline{A} | 5, 11 | input (HIGH to LOW triggered) |
| 1Q, 2Q | 6, 10 | output |
| 1 \overline{Q} , 2 \overline{Q} | 7, 9 | complementary output (active LOW) |
| GND | 8 | ground (0 V) |
| V _{CC} | 16 | supply voltage |

6 Functional description

Table 3. Function table ^[1]

| Inputs | | | Outputs | |
|-------------|----|--------------|---------|-------------|
| n \bar{A} | nB | n \bar{CD} | nQ | n \bar{Q} |
| ↓ | L | H | | |
| H | ↑ | H | | |
| X | X | L | L | H |

- [1] H = HIGH voltage level; L = LOW voltage level; X = don't care;
 ↑ = positive-going transition; ↓ = negative-going transition;
 = one HIGH level output pulse, with the pulse width determined by C_{EXT} and R_{EXT};
 = one LOW level output pulse, with the pulse width determined by C_{EXT} and R_{EXT}.



- (1) Positive edge triggering.
- (2) Positive edge re-triggering (pulse lengthening).
- (3) Negative edge triggering.
- (4) Reset (pulse shortening).
- (5) $T_W = 0.7 \times R_{EXT} \times C_{EXT}$ (see also [Figure 6](#)).

Figure 5. Timing diagram

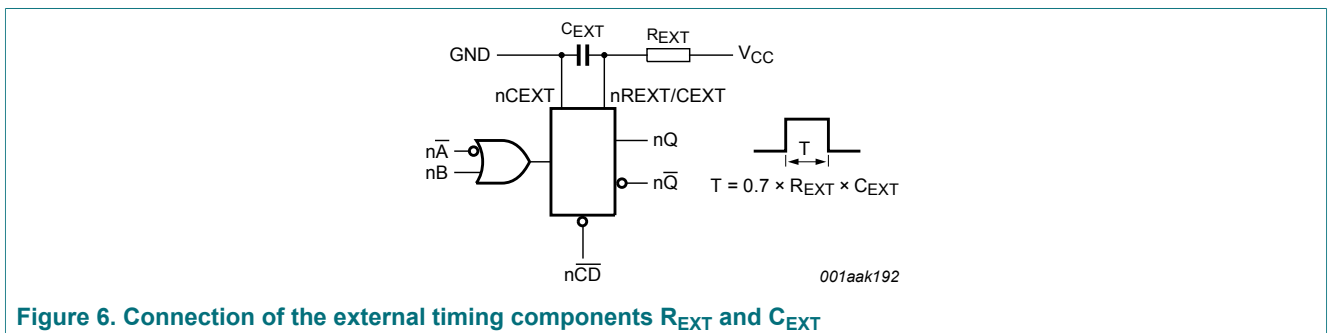


Figure 6. Connection of the external timing components R_{EXT} and C_{EXT}

7 Limiting values

Table 4. Limiting values

In accordance with the Absolute Maximum Rating System (IEC 60134). Voltages are referenced to GND (ground = 0 V).

| Symbol | Parameter | Conditions | Min | Max | Unit |
|-----------|-------------------------|--|------|----------|------|
| V_{CC} | supply voltage | | -0.5 | +7.0 | V |
| I_{IK} | input clamping current | $V_I < -0.5\text{ V}$ or $V_I > V_{CC} + 0.5\text{ V}$ [1] | - | ± 20 | mA |
| I_{OK} | output clamping current | $V_O < -0.5\text{ V}$ or $V_O > V_{CC} + 0.5\text{ V}$ [1] | - | ± 20 | mA |
| I_O | output current | $V_O = -0.5\text{ V}$ to $V_{CC} + 0.5\text{ V}$ | - | ± 25 | mA |
| I_{CC} | supply current | | - | +50 | mA |
| I_{GND} | ground current | | -50 | - | mA |
| T_{stg} | storage temperature | | -65 | +150 | °C |
| P_{tot} | total power dissipation | $T_{amb} = -40\text{ °C}$ to $+125\text{ °C}$ | | | |
| | | SO16 package [2] | - | 500 | mW |
| | | (T)SSOP16 package [3] | - | 500 | mW |

[1] The input and output voltage ratings may be exceeded if the input and output current ratings are observed.

[2] P_{tot} derates linearly with 8 mW/K above 70 °C.

[3] P_{tot} derates linearly with 5.5 mW/K above 60 °C.

8 Recommended operating conditions

Table 5. Recommended operating conditions

Voltages are referenced to GND (ground = 0 V)

| Symbol | Parameter | Conditions | Min | Typ | Max | Unit |
|---------------------|-------------------------------------|-------------------------|-----|------|----------|------|
| V_{CC} | supply voltage | | 2.0 | 5.0 | 6.0 | V |
| V_I | input voltage | | 0 | - | V_{CC} | V |
| V_O | output voltage | | 0 | - | V_{CC} | V |
| T_{amb} | ambient temperature | | -40 | - | +125 | °C |
| $\Delta t/\Delta V$ | input transition rise and fall rate | $V_{CC} = 2.0\text{ V}$ | - | - | 625 | ns/V |
| | | $V_{CC} = 4.5\text{ V}$ | - | 1.67 | 139 | ns/V |
| | | $V_{CC} = 6.0\text{ V}$ | - | - | 83 | ns/V |

9 Static characteristics

Table 6. Static characteristics

At recommended operating conditions; voltages are referenced to GND (ground = 0 V).

| Symbol | Parameter | Conditions | 25 °C | | | -40 °C to +85 °C | | -40 °C to +125 °C | | Unit |
|-----------------|---------------------------|--|-------|------|------|------------------|------|-------------------|------|------|
| | | | Min | Typ | Max | Min | Max | Min | Max | |
| V _{IH} | HIGH-level input voltage | V _{CC} = 2.0 V | 1.5 | 1.2 | - | 1.5 | - | 1.5 | - | V |
| | | V _{CC} = 4.5 V | 3.15 | 2.4 | - | 3.15 | - | 3.15 | - | V |
| | | V _{CC} = 6.0 V | 4.2 | 3.2 | - | 4.2 | - | 4.2 | - | V |
| V _{IL} | LOW-level input voltage | V _{CC} = 2.0 V | - | 0.8 | 0.5 | - | 0.5 | - | 0.5 | V |
| | | V _{CC} = 4.5 V | - | 2.1 | 1.35 | - | 1.35 | - | 1.35 | V |
| | | V _{CC} = 6.0 V | - | 2.8 | 1.8 | - | 1.8 | - | 1.8 | V |
| V _{OH} | HIGH-level output voltage | V _I = V _{IH} or V _{IL} | | | | | | | | |
| | | I _O = -20 μA; V _{CC} = 2.0 V | 1.9 | 2.0 | - | 1.9 | - | 1.9 | - | V |
| | | I _O = -20 μA; V _{CC} = 4.5 V | 4.4 | 4.5 | - | 4.4 | - | 4.4 | - | V |
| | | I _O = -20 μA; V _{CC} = 6.0 V | 5.9 | 6.0 | - | 5.9 | - | 5.9 | - | V |
| | | I _O = -4.0 mA; V _{CC} = 4.5 V | 3.98 | 4.32 | - | 3.84 | - | 3.7 | - | V |
| | | I _O = -5.2 mA; V _{CC} = 6.0 V | 5.48 | 5.81 | - | 5.34 | - | 5.2 | - | V |
| V _{OL} | LOW-level output voltage | V _I = V _{IH} or V _{IL} | | | | | | | | |
| | | I _O = 20 μA; V _{CC} = 2.0 V | - | 0 | 0.1 | - | 0.1 | - | 0.1 | V |
| | | I _O = 20 μA; V _{CC} = 4.5 V | - | 0 | 0.1 | - | 0.1 | - | 0.1 | V |
| | | I _O = 20 μA; V _{CC} = 6.0 V | - | 0 | 0.1 | - | 0.1 | - | 0.1 | V |
| | | I _O = 4.0 mA; V _{CC} = 4.5 V | - | 0.15 | 0.26 | - | 0.33 | - | 0.4 | V |
| | | I _O = 5.2 mA; V _{CC} = 6.0 V | - | 0.16 | 0.26 | - | 0.33 | - | 0.4 | V |
| I _I | input leakage current | V _I = V _{CC} or GND; V _{CC} = 6.0 V | - | - | ±0.1 | - | ±1 | - | ±1 | μA |
| | | pin nREXT/CEXT; V _I = 2.0 V or GND; other inputs at V _{CC} or GND; V _{CC} = 6.0 V ^[1] | - | - | ±50 | - | ±500 | - | ±500 | nA |
| I _{CC} | supply current | V _I = V _{CC} or GND; I _O = 0 A; V _{CC} = 6.0 V | - | - | 8.0 | - | 80 | - | 160 | μA |
| C _I | input capacitance | | - | 3.5 | - | - | - | - | - | pF |

[1] This measurement can only be carried out after a trigger pulse is applied.

10 Dynamic characteristics

Table 7. Dynamic characteristics

Voltages are referenced to GND (ground = 0 V); for test circuit see [Figure 9](#).

| Symbol | Parameter | Conditions | 25 °C | | | -40 °C to +85 °C | | -40 °C to +125 °C | | Unit |
|------------------|-------------------------------|--|-------|--------------------|-----|------------------|-----|-------------------|-----|------|
| | | | Min | Typ ^[1] | Max | Min | Max | Min | Max | |
| t _{PLH} | LOW to HIGH propagation delay | n \bar{A} , nB to nQ; see Figure 7 | | | | | | | | |
| | | V _{CC} = 2.0 V | - | 85 | 265 | - | 330 | - | 400 | ns |
| | | V _{CC} = 4.5 V | - | 31 | 53 | - | 66 | - | 80 | ns |
| | | V _{CC} = 5.0 V; C _L = 15 pF | - | 27 | - | - | - | - | - | ns |
| | | V _{CC} = 6.0 V | - | 25 | 45 | - | 56 | - | 68 | ns |
| | | n $\bar{C}\bar{D}$ to n \bar{Q} ; see Figure 7 | | | | | | | | |
| | | V _{CC} = 2.0 V | - | 83 | 265 | - | 340 | - | 400 | ns |
| | | V _{CC} = 4.5 V | - | 30 | 53 | - | 68 | - | 80 | ns |
| t _{PHL} | HIGH to LOW propagation delay | n \bar{A} , nB to n \bar{Q} ; see Figure 7 | | | | | | | | |
| | | V _{CC} = 2.0 V | - | 83 | 265 | - | 330 | - | 400 | ns |
| | | V _{CC} = 4.5 V | - | 30 | 53 | - | 66 | - | 80 | ns |
| | | V _{CC} = 5.0 V; C _L = 15 pF | - | 27 | - | - | - | - | - | ns |
| | | V _{CC} = 6.0 V | - | 24 | 45 | - | 56 | - | 68 | ns |
| | | n $\bar{C}\bar{D}$ to nQ; see Figure 7 | | | | | | | | |
| | | V _{CC} = 2.0 V | - | 80 | 265 | - | 330 | - | 400 | ns |
| | | V _{CC} = 4.5 V | - | 29 | 53 | - | 66 | - | 80 | ns |
| t _t | transition time | nQ and n \bar{Q} ; see Figure 7 ^[2] | | | | | | | | |
| | | V _{CC} = 2.0 V | - | 19 | 75 | - | 95 | - | 119 | ns |
| | | V _{CC} = 4.5 V | - | 7 | 15 | - | 19 | - | 22 | ns |
| | | V _{CC} = 6.0 V | - | 6 | 13 | - | 16 | - | 19 | ns |
| t _w | pulse width | n \bar{A} LOW; see Figure 8 | | | | | | | | |
| | | V _{CC} = 2.0 V | 80 | 17 | - | 100 | - | 120 | - | ns |
| | | V _{CC} = 4.5 V | 16 | 6 | - | 20 | - | 24 | - | ns |
| | | V _{CC} = 6.0 V | 14 | 5 | - | 17 | - | 20 | - | ns |
| | | nB HIGH; see Figure 8 | | | | | | | | |
| | | V _{CC} = 2.0 V | 80 | 17 | - | 100 | - | 120 | - | ns |
| | | V _{CC} = 4.5 V | 16 | 6 | - | 20 | - | 24 | - | ns |
| | | V _{CC} = 6.0 V | 14 | 5 | - | 17 | - | 20 | - | ns |
| | | n $\bar{C}\bar{D}$ LOW; see Figure 8 | | | | | | | | |
| | | V _{CC} = 2.0 V | 80 | 19 | - | 100 | - | 120 | - | ns |

Dual retriggerable precision monostable multivibrator

| Symbol | Parameter | Conditions | 25 °C | | | -40 °C to +85 °C | | -40 °C to +125 °C | | Unit |
|-------------------|-------------------------------|---|----------------|--------------------|------|------------------|-----|-------------------|-----|------|
| | | | Min | Typ ^[1] | Max | Min | Max | Min | Max | |
| | | V _{CC} = 4.5 V | 16 | 7 | - | 20 | - | 24 | - | ns |
| | | V _{CC} = 6.0 V | 14 | 6 | - | 17 | - | 20 | - | ns |
| | | nQ and nQ̄ HIGH or LOW; see Figure 8 | | | | | | | | |
| | | V _{CC} = 5.0 V; C _{EXT} = 0.1 μF; R _{EXT} = 10 kΩ | 630 | 700 | 770 | 602 | 798 | 595 | 805 | μs |
| t _{rec} | recovery time | nCD to nA, nB; see Figure 8 | | | | | | | | |
| | | V _{CC} = 2.0 V | 35 | 6 | - | 45 | - | 55 | - | ns |
| | | V _{CC} = 4.5 V | 7 | 2 | - | 9 | - | 11 | - | ns |
| | | V _{CC} = 6.0 V | 6 | 2 | - | 8 | - | 9 | - | ns |
| t _{trig} | retrigger time | nA, nB; see Figure 8 ; X = C _{EXT} / (4.5 × V _{CC}) | | | | | | | | |
| | | V _{CC} = 2.0 V | - | 455+X | - | - | - | - | - | ns |
| | | V _{CC} = 4.5 V | - | 80+X | - | - | - | - | - | ns |
| | | V _{CC} = 6.0 V | - | 55+X | - | - | - | - | - | ns |
| R _{EXT} | external timing resistor | V _{CC} = 2.0 V | 10 | - | 1000 | - | - | - | - | kΩ |
| | | V _{CC} = 5.0 V | 2 | - | 1000 | - | - | - | - | kΩ |
| C _{EXT} | external timing capacitor | | no limits | | | | | | | |
| C _{PD} | power dissipation capacitance | per multivibrator; V _I = GND to V _{CC} | ^[3] | 136 | - | - | - | - | - | pF |

[1] Typical values are measured at nominal supply voltage (V_{CC} = 3.3 V and V_{CC} = 5.0 V).

[2] t_r is the same as t_{THL} and t_{TLH}.

[3] C_{PD} is used to determine the dynamic power dissipation (P_D in μW).

$P_D = C_{PD} \times V_{CC}^2 \times f_i + \Sigma(C_L \times V_{CC}^2 \times f_o) + 0.48 \times C_{EXT} \times V_{CC}^2 \times f_o + D \times 0.8 \times V_{CC}$ where:

f_i = input frequency in MHz;

f_o = output frequency in MHz;

Σ(C_L × V_{CC}² × f_o) = sum of the outputs;

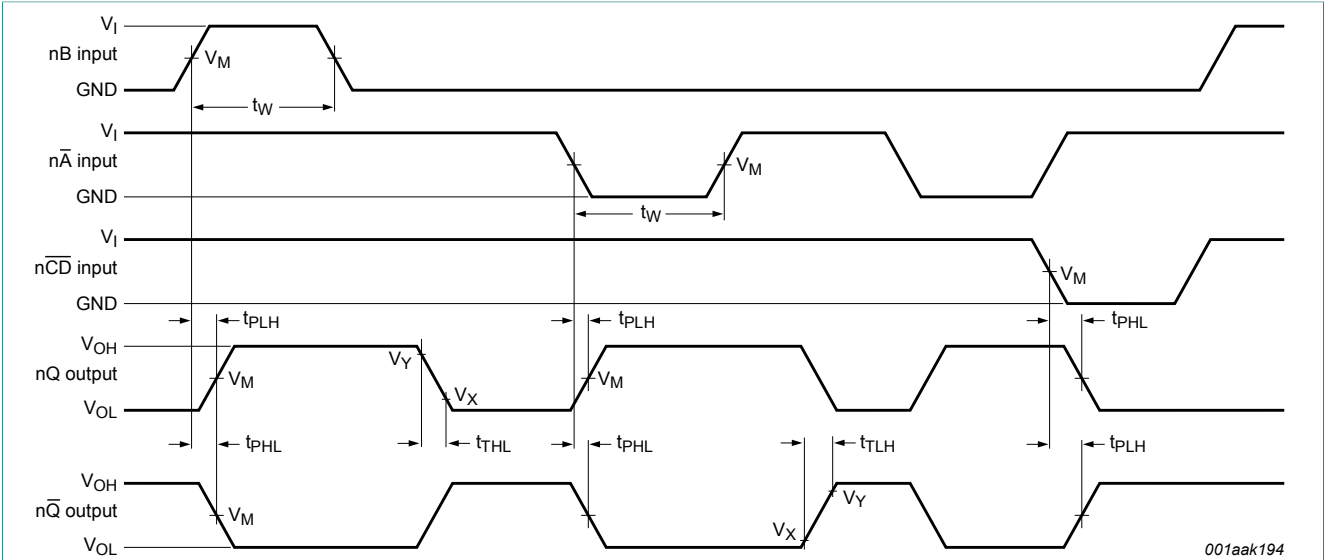
C_L = output load capacitance in pF;

V_{CC} = supply voltage in V;

D = duty cycle factor in %;

C_{EXT} = external timing capacitance in pF.

10.1 Waveforms and test circuit

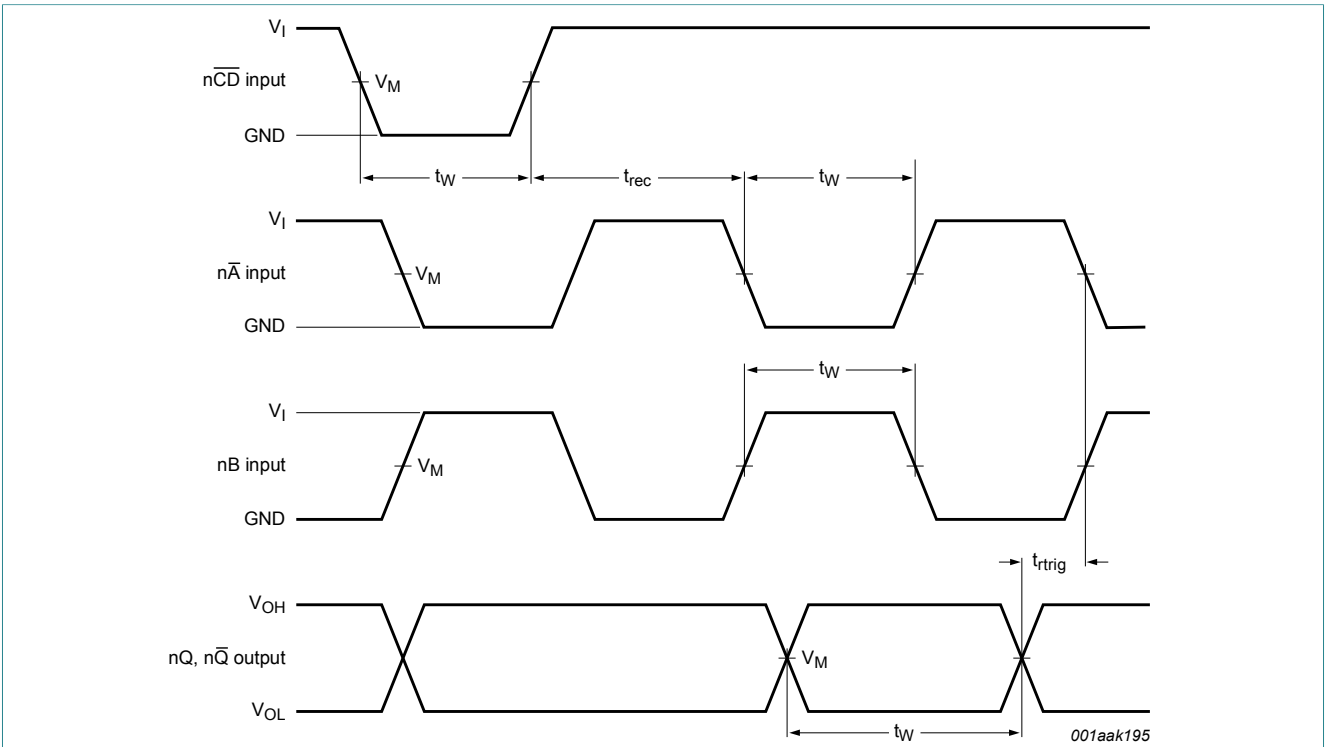


001aak194

Measurement points are given in [Table 8](#).

Logic levels: V_{OL} and V_{OH} are typical output levels that occur with the output load.

Figure 7. Waveforms showing propagation delays and transition times



001aak195

Measurement points are given in [Table 8](#).

Logic levels: V_{OL} and V_{OH} are typical output levels that occur with the output load.

Figure 8. Waveforms showing nA, nB, nQ, nQ-bar pulse widths, recovery and retrigger times

Table 8. Measurement points

| Input | Output | | |
|-------------|-------------|-------------|-------------|
| V_M | V_M | V_X | V_Y |
| $0.5V_{CC}$ | $0.5V_{CC}$ | $0.1V_{CC}$ | $0.9V_{CC}$ |

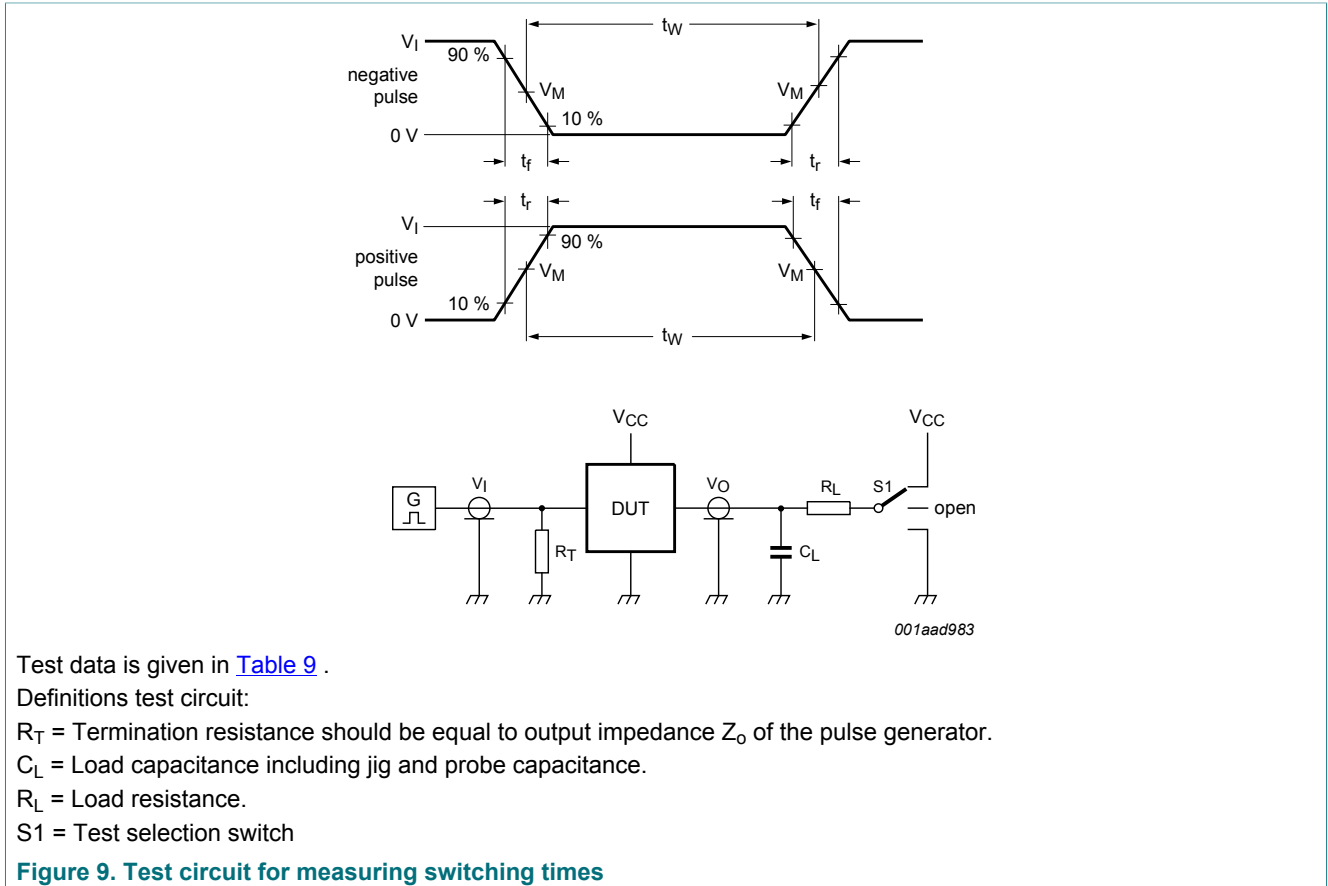


Table 9. Test data

| Input | | Load | | S1 position |
|----------|------------|--------------|-------|--------------------|
| V_I | t_r, t_f | C_L | R_L | t_{PHL}, t_{PLH} |
| V_{CC} | 6 ns | 15 pF, 50 pF | 1 kΩ | open |

11 Application information

11.1 Power-down considerations

A large capacitor (C_{EXT}) may cause problems when powering-down the monostable due to energy stored in this capacitor. When a system containing this device is powered-down or rapid decrease of V_{CC} to zero occurs, the monostable may sustain damage, due to the capacitor discharging through the input protection diodes. To avoid this possibility, use a damping diode (D_{EXT}) preferably a germanium or Schottky type diode able to withstand large current surges and connect as shown in [Figure 10](#)

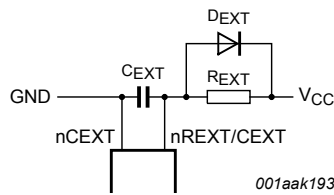
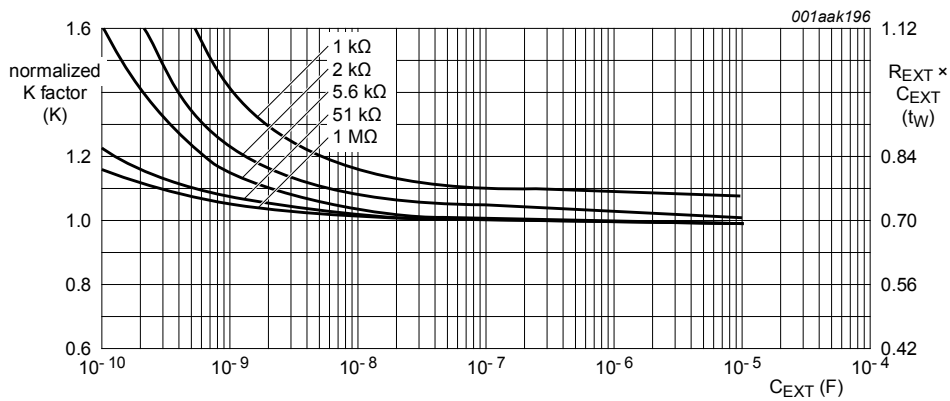


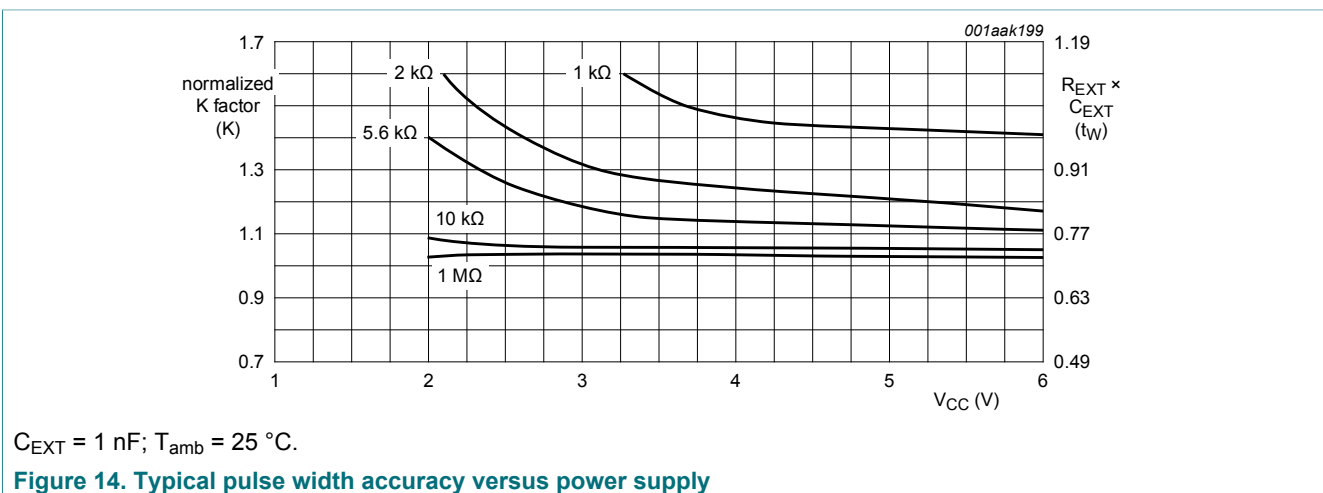
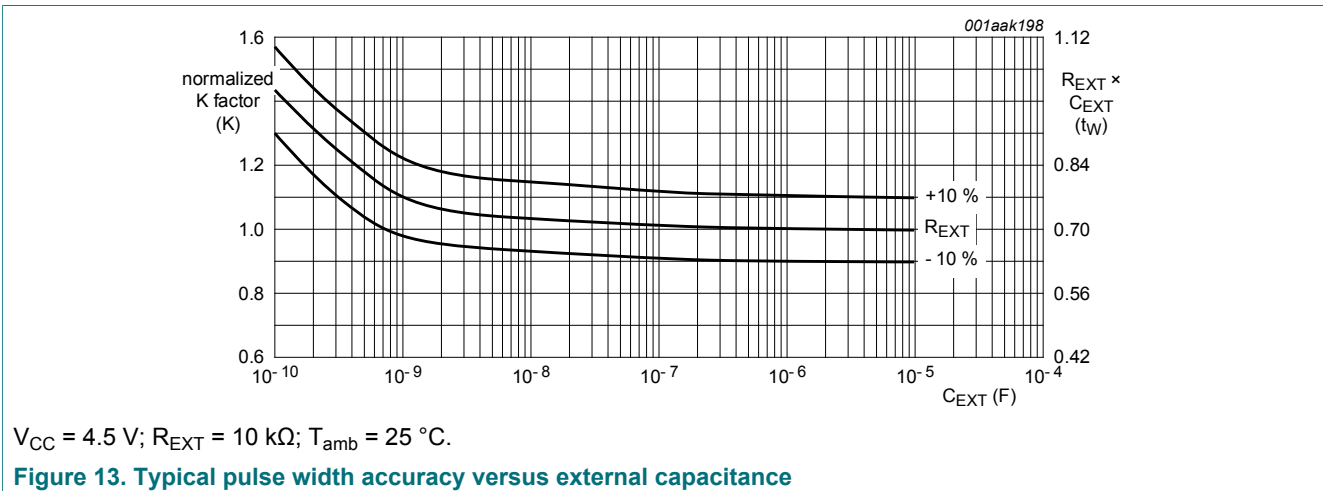
Figure 10. Power-down protection circuit

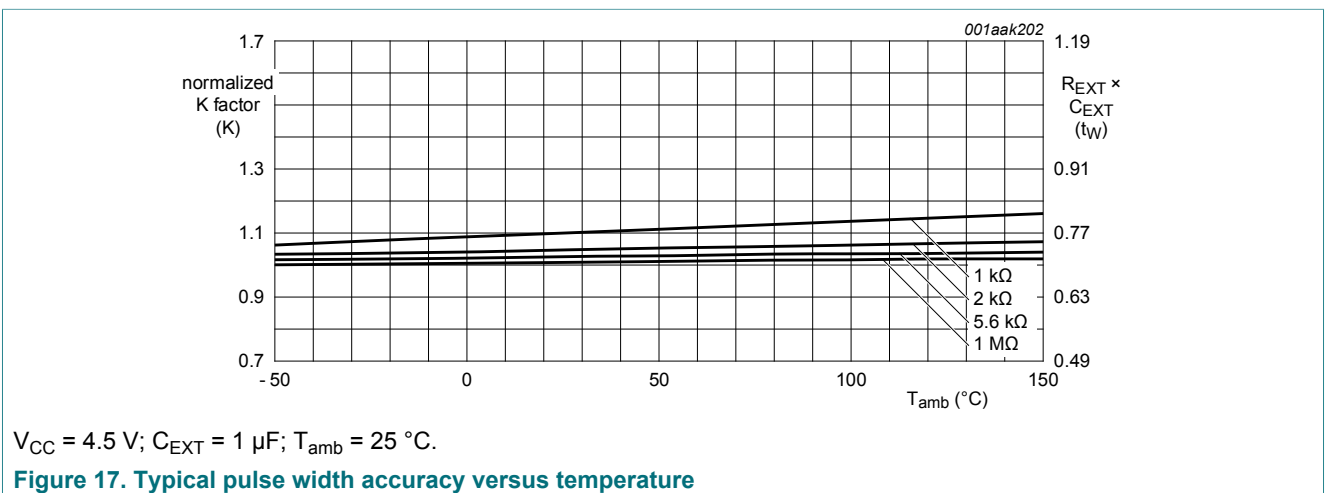
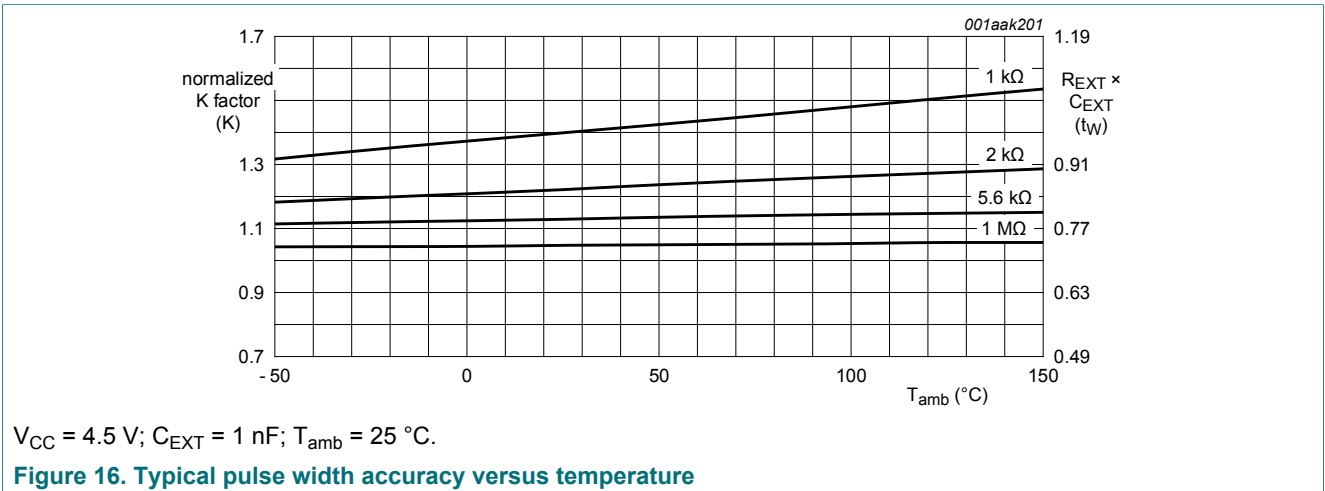
11.2 Graphs



$V_{CC} = 4.5 \text{ V}$; $T_{amb} = 25 \text{ }^\circ\text{C}$.

Figure 11. Typical pulse width accuracy versus external capacitance

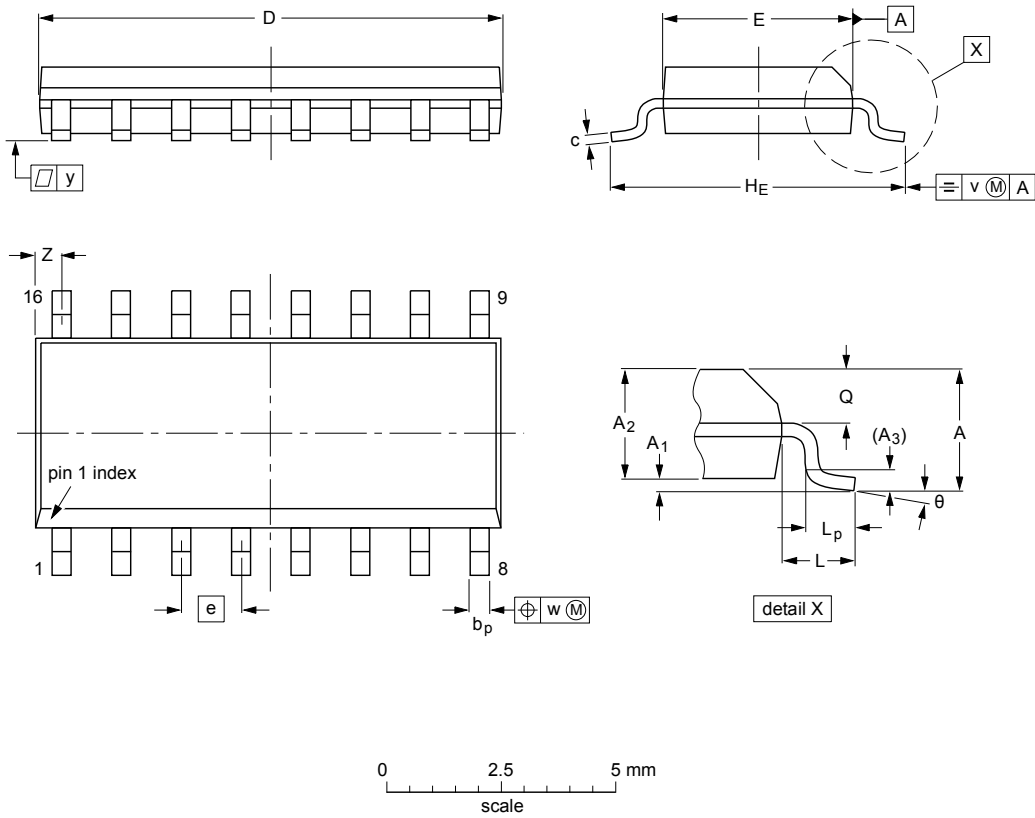




12 Package outline

SO16: plastic small outline package; 16 leads; body width 3.9 mm

SOT109-1



DIMENSIONS (inch dimensions are derived from the original mm dimensions)

| UNIT | A max. | A ₁ | A ₂ | A ₃ | b _p | c | D ⁽¹⁾ | E ⁽¹⁾ | e | H _E | L | L _p | Q | v | w | y | Z ⁽¹⁾ | θ |
|--------|--------|----------------|----------------|----------------|----------------|------------------|------------------|------------------|------|----------------|-------|----------------|----------------|------|------|-------|------------------|----------|
| mm | 1.75 | 0.25 0.10 | 1.45 1.25 | 0.25 | 0.49 0.36 | 0.25 0.19 | 10.0 9.8 | 4.0 3.8 | 1.27 | 6.2 5.8 | 1.05 | 1.0 0.4 | 0.7 0.6 | 0.25 | 0.25 | 0.1 | 0.7 0.3 | 8° 0° |
| inches | 0.069 | 0.010 0.004 | 0.057 0.049 | 0.01 | 0.019 0.014 | 0.0100 0.0075 | 0.39 0.38 | 0.16 0.15 | 0.05 | 0.244 0.228 | 0.041 | 0.039 0.016 | 0.028 0.020 | 0.01 | 0.01 | 0.004 | 0.028 0.012 | |

Note

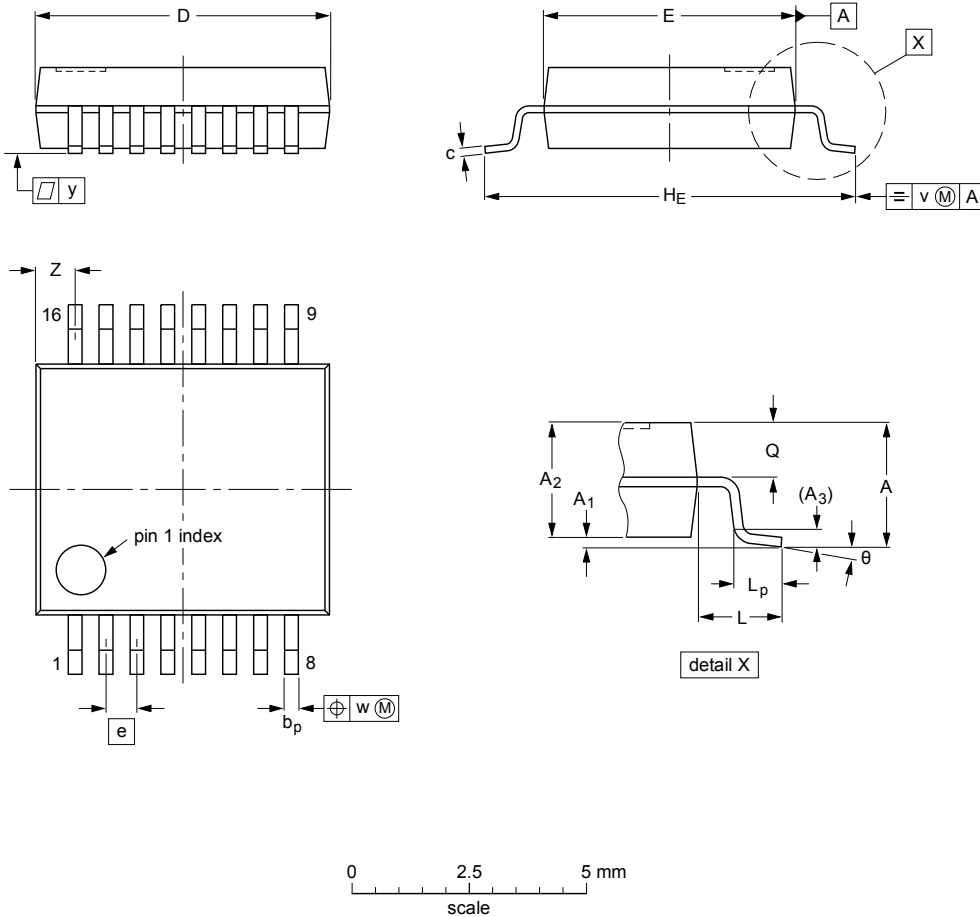
1. Plastic or metal protrusions of 0.15 mm (0.006 inch) maximum per side are not included.

| OUTLINE VERSION | REFERENCES | | | EUROPEAN PROJECTION | ISSUE DATE |
|-----------------|------------|--------|-------|---------------------|----------------------|
| | IEC | JEDEC | JEITA | | |
| SOT109-1 | 076E07 | MS-012 | | | 99-12-27 03-02-19 |

Figure 18. Package outline SOT109-1 (SO16)

SSOP16: plastic shrink small outline package; 16 leads; body width 5.3 mm

SOT338-1



DIMENSIONS (mm are the original dimensions)

| UNIT | A max. | A ₁ | A ₂ | A ₃ | b _p | c | D ⁽¹⁾ | E ⁽¹⁾ | e | H _E | L | L _p | Q | v | w | y | Z ⁽¹⁾ | θ |
|------|-----------|----------------|----------------|----------------|----------------|--------------|------------------|------------------|------|----------------|------|----------------|------------|-----|------|-----|------------------|----------|
| mm | 2 | 0.21 0.05 | 1.80 1.65 | 0.25 | 0.38 0.25 | 0.20 0.09 | 6.4 6.0 | 5.4 5.2 | 0.65 | 7.9 7.6 | 1.25 | 1.03 0.63 | 0.9 0.7 | 0.2 | 0.13 | 0.1 | 1.00 0.55 | 8° 0° |

Note

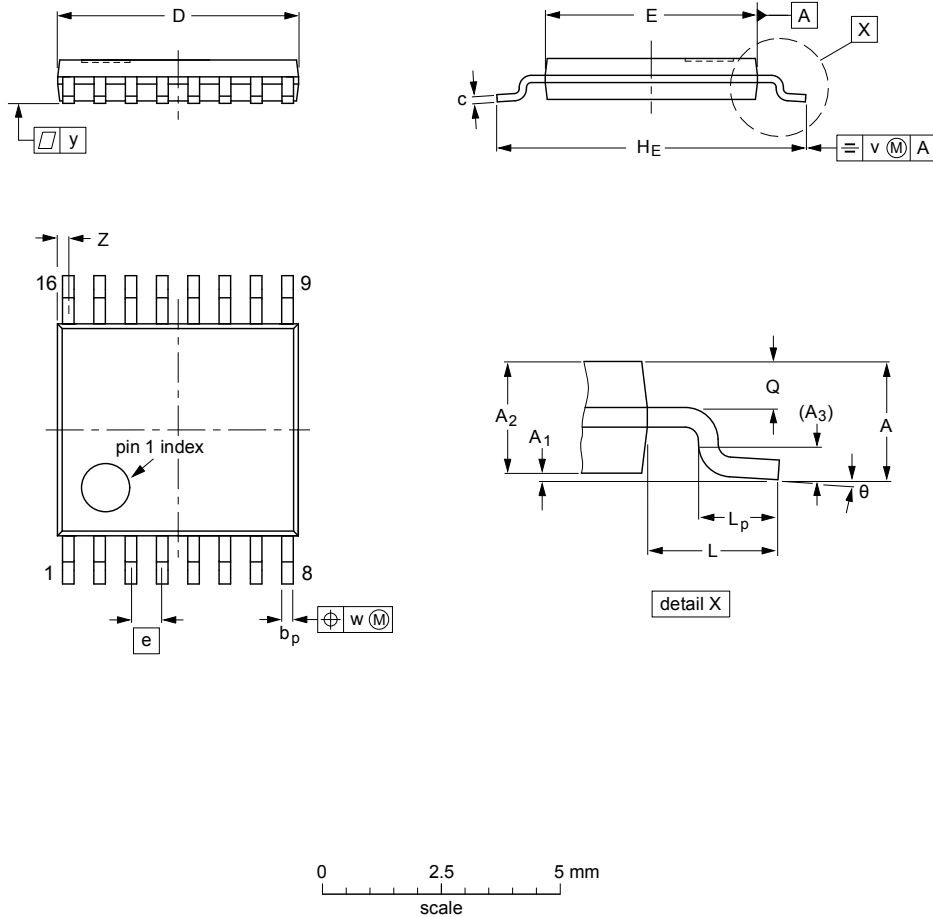
1. Plastic or metal protrusions of 0.25 mm maximum per side are not included.

| OUTLINE VERSION | REFERENCES | | | | EUROPEAN PROJECTION | ISSUE DATE |
|--------------------|------------|--------|-------|--|------------------------|----------------------|
| | IEC | JEDEC | JEITA | | | |
| SOT338-1 | | MO-150 | | | | 99-12-27 03-02-19 |

Figure 19. Package outline SOT338-1 (SSOP16)

TSSOP16: plastic thin shrink small outline package; 16 leads; body width 4.4 mm

SOT403-1



DIMENSIONS (mm are the original dimensions)

| UNIT | A max. | A ₁ | A ₂ | A ₃ | b _p | c | D ⁽¹⁾ | E ⁽²⁾ | e | H _E | L | L _p | Q | v | w | y | Z ⁽¹⁾ | θ |
|------|--------|----------------|----------------|----------------|----------------|------------|------------------|------------------|------|----------------|---|----------------|------------|-----|------|-----|------------------|----------|
| mm | 1.1 | 0.15 0.05 | 0.95 0.80 | 0.25 | 0.30 0.19 | 0.2 0.1 | 5.1 4.9 | 4.5 4.3 | 0.65 | 6.6 6.2 | 1 | 0.75 0.50 | 0.4 0.3 | 0.2 | 0.13 | 0.1 | 0.40 0.06 | 8° 0° |

Notes

1. Plastic or metal protrusions of 0.15 mm maximum per side are not included.
2. Plastic interlead protrusions of 0.25 mm maximum per side are not included.

| OUTLINE VERSION | REFERENCES | | | | EUROPEAN PROJECTION | ISSUE DATE |
|-----------------|------------|--------|-------|--|---------------------|----------------------|
| | IEC | JEDEC | JEITA | | | |
| SOT403-1 | | MO-153 | | | | 99-12-27 03-02-18 |

Figure 20. Package outline SOT403-1 (TSSOP16)

13 Abbreviations

Table 10. Abbreviations

| Acronym | Description |
|---------|---|
| CMOS | Complementary Metal-Oxide Semiconductor |
| DUT | Device Under Test |
| ESD | ElectroStatic Discharge |
| HBM | Human Body Model |
| MM | Machine Model |

14 Revision history

Table 11. Revision history

| Document ID | Release date | Data sheet status | Change notice | Supersedes |
|----------------------|---|-----------------------|---------------|----------------------|
| 74HC4538 v.5 | 20170317 | Product data sheet | - | 74HC_HCT4538 v.4 |
| Modifications: | <ul style="list-style-type: none"> Type numbers 74HCT4538D, 74HCT4538DB, 74HCT4538PW removed. Table 6: Maximum input leakage current for pins 1REXT/CEXT and 2REXT/CEXT changed. | | | |
| 74HC_HCT4538 v.4 | 20160224 | Product data sheet | - | 74HC_HCT4538 v.3 |
| Modifications: | <ul style="list-style-type: none"> Type numbers 74HC4538N and 74HCT4538N (SOT38-4) removed. | | | |
| 74HC_HCT4538 v.3 | 20090608 | Product data sheet | - | 74HC_HCT4538_CNV v.2 |
| Modifications: | <ul style="list-style-type: none"> The format of this data sheet has been redesigned to comply with the new identity guidelines of NXP Semiconductors. Legal texts have been adapted to the new company name where appropriate. Pin names changed throughout. Section Section 7, Section 8 and Section 9 added, taken from the 74HC/T HCMOS Family characteristics/specification (March 1988). Test circuit added: Figure 9. Quick reference data incorporated in to Section 9 and Section 10. Package information added for DIP16, SO16, SSOP16 and TSSOP16 packages. | | | |
| 74HC_HCT4538_CNV v.2 | 19970902 | Product specification | - | - |

15 Legal information

15.1 Data sheet status

| Document status ^{[1][2]} | Product status ^[3] | Definition |
|-----------------------------------|-------------------------------|---|
| Objective [short] data sheet | Development | This document contains data from the objective specification for product development. |
| Preliminary [short] data sheet | Qualification | This document contains data from the preliminary specification. |
| Product [short] data sheet | Production | This document contains the product specification. |

[1] Please consult the most recently issued document before initiating or completing a design.

[2] The term 'short data sheet' is explained in section "Definitions".

[3] The product status of device(s) described in this document may have changed since this document was published and may differ in case of multiple devices. The latest product status information is available on the Internet at URL <http://www.nexperia.com>.

15.2 Definitions

Draft — The document is a draft version only. The content is still under internal review and subject to formal approval, which may result in modifications or additions. Nexperia does not give any representations or warranties as to the accuracy or completeness of information included herein and shall have no liability for the consequences of use of such information.

Short data sheet — A short data sheet is an extract from a full data sheet with the same product type number(s) and title. A short data sheet is intended for quick reference only and should not be relied upon to contain detailed and full information. For detailed and full information see the relevant full data sheet, which is available on request via the local Nexperia sales office. In case of any inconsistency or conflict with the short data sheet, the full data sheet shall prevail.

Product specification — The information and data provided in a Product data sheet shall define the specification of the product as agreed between Nexperia and its customer, unless Nexperia and customer have explicitly agreed otherwise in writing. In no event however, shall an agreement be valid in which the Nexperia product is deemed to offer functions and qualities beyond those described in the Product data sheet.

15.3 Disclaimers

Limited warranty and liability — Information in this document is believed to be accurate and reliable. However, Nexperia does not give any representations or warranties, expressed or implied, as to the accuracy or completeness of such information and shall have no liability for the consequences of use of such information. Nexperia takes no responsibility for the content in this document if provided by an information source outside of Nexperia. In no event shall Nexperia be liable for any indirect, incidental, punitive, special or consequential damages (including - without limitation - lost profits, lost savings, business interruption, costs related to the removal or replacement of any products or rework charges) whether or not such damages are based on tort (including negligence), warranty, breach of contract or any other legal theory. Notwithstanding any damages that customer might incur for any reason whatsoever, Nexperia's aggregate and cumulative liability towards customer for the products described herein shall be limited in accordance with the Terms and conditions of commercial sale of Nexperia.

Right to make changes — Nexperia reserves the right to make changes to information published in this document, including without limitation specifications and product descriptions, at any time and without notice. This document supersedes and replaces all information supplied prior to the publication hereof.

Suitability for use — Nexperia products are not designed, authorized or warranted to be suitable for use in life support, life-critical or safety-critical

systems or equipment, nor in applications where failure or malfunction of an Nexperia product can reasonably be expected to result in personal injury, death or severe property or environmental damage. Nexperia and its suppliers accept no liability for inclusion and/or use of Nexperia products in such equipment or applications and therefore such inclusion and/or use is at the customer's own risk.

Applications — Applications that are described herein for any of these products are for illustrative purposes only. Nexperia makes no representation or warranty that such applications will be suitable for the specified use without further testing or modification. Customers are responsible for the design and operation of their applications and products using Nexperia products, and Nexperia accepts no liability for any assistance with applications or customer product design. It is customer's sole responsibility to determine whether the Nexperia product is suitable and fit for the customer's applications and products planned, as well as for the planned application and use of customer's third party customer(s). Customers should provide appropriate design and operating safeguards to minimize the risks associated with their applications and products. Nexperia does not accept any liability related to any default, damage, costs or problem which is based on any weakness or default in the customer's applications or products, or the application or use by customer's third party customer(s). Customer is responsible for doing all necessary testing for the customer's applications and products using Nexperia products in order to avoid a default of the applications and the products or of the application or use by customer's third party customer(s). Nexperia does not accept any liability in this respect.

Limiting values — Stress above one or more limiting values (as defined in the Absolute Maximum Ratings System of IEC 60134) will cause permanent damage to the device. Limiting values are stress ratings only and (proper) operation of the device at these or any other conditions above those given in the Recommended operating conditions section (if present) or the Characteristics sections of this document is not warranted. Constant or repeated exposure to limiting values will permanently and irreversibly affect the quality and reliability of the device.

Terms and conditions of commercial sale — Nexperia products are sold subject to the general terms and conditions of commercial sale, as published at <http://www.nexperia.com/profile/terms>, unless otherwise agreed in a valid written individual agreement. In case an individual agreement is concluded only the terms and conditions of the respective agreement shall apply. Nexperia hereby expressly objects to applying the customer's general terms and conditions with regard to the purchase of Nexperia products by customer.

No offer to sell or license — Nothing in this document may be interpreted or construed as an offer to sell products that is open for acceptance or the grant, conveyance or implication of any license under any copyrights, patents or other industrial or intellectual property rights.

Export control — This document as well as the item(s) described herein may be subject to export control regulations. Export might require a prior authorization from competent authorities.

Non-automotive qualified products — Unless this data sheet expressly states that this specific Nexperia product is automotive qualified, the product is not suitable for automotive use. It is neither qualified nor tested in accordance with automotive testing or application requirements. Nexperia accepts no liability for inclusion and/or use of non-automotive qualified products in automotive equipment or applications. In the event that customer uses the product for design-in and use in automotive applications to automotive specifications and standards, customer (a) shall use the product without Nexperia's warranty of the product for such automotive applications, use and specifications, and (b) whenever customer uses the product for automotive applications beyond Nexperia's specifications such use shall be solely at customer's own risk, and (c) customer fully indemnifies Nexperia for any liability, damages or failed product claims resulting from customer

design and use of the product for automotive applications beyond Nexperia's standard warranty and Nexperia's product specifications.

Translations — A non-English (translated) version of a document is for reference only. The English version shall prevail in case of any discrepancy between the translated and English versions.

15.4 Trademarks

Notice: All referenced brands, product names, service names and trademarks are the property of their respective owners.

Contents

| | | |
|-----------|---|-----------|
| 1 | General description | 1 |
| 2 | Features and benefits | 1 |
| 3 | Ordering information | 2 |
| 4 | Functional diagram | 2 |
| 5 | Pinning information | 4 |
| 5.1 | Pinning | 4 |
| 5.2 | Pin description | 4 |
| 6 | Functional description | 5 |
| 7 | Limiting values | 6 |
| 8 | Recommended operating conditions | 6 |
| 9 | Static characteristics | 7 |
| 10 | Dynamic characteristics | 8 |
| 10.1 | Waveforms and test circuit | 10 |
| 11 | Application information | 12 |
| 11.1 | Power-down considerations | 12 |
| 11.2 | Graphs | 12 |
| 12 | Package outline | 15 |
| 13 | Abbreviations | 18 |
| 14 | Revision history | 18 |
| 15 | Legal information | 19 |

Please be aware that important notices concerning this document and the product(s) described herein, have been included in section 'Legal information'.

© Nexperia B.V. 2017.

All rights reserved.

For more information, please visit: <http://www.nexperia.com>

For sales office addresses, please send an email to: salesaddresses@nexperia.com

Date of release: 17 March 2017
Document identifier: 74HC4538

Данный компонент на территории Российской Федерации

Вы можете приобрести в компании MosChip.

Для оперативного оформления запроса Вам необходимо перейти по данной ссылке:

<http://moschip.ru/get-element>

Вы можете разместить у нас заказ для любого Вашего проекта, будь то серийное производство или разработка единичного прибора.

В нашем ассортименте представлены ведущие мировые производители активных и пассивных электронных компонентов.

Нашей специализацией является поставка электронной компонентной базы двойного назначения, продукции таких производителей как XILINX, Intel (ex.ALTERA), Vicor, Microchip, Texas Instruments, Analog Devices, Mini-Circuits, Amphenol, Glenair.

Сотрудничество с глобальными дистрибьюторами электронных компонентов, предоставляет возможность заказывать и получать с международных складов практически любой перечень компонентов в оптимальные для Вас сроки.

На всех этапах разработки и производства наши партнеры могут получить квалифицированную поддержку опытных инженеров.

Система менеджмента качества компании отвечает требованиям в соответствии с ГОСТ Р ИСО 9001, ГОСТ РВ 0015-002 и ЭС РД 009

Офис по работе с юридическими лицами:

105318, г.Москва, ул.Щербаковская д.3, офис 1107, 1118, ДЦ «Щербаковский»

Телефон: +7 495 668-12-70 (многоканальный)

Факс: +7 495 668-12-70 (доб.304)

E-mail: info@moschip.ru

Skype отдела продаж:

moschip.ru

moschip.ru_4

moschip.ru_6

moschip.ru_9