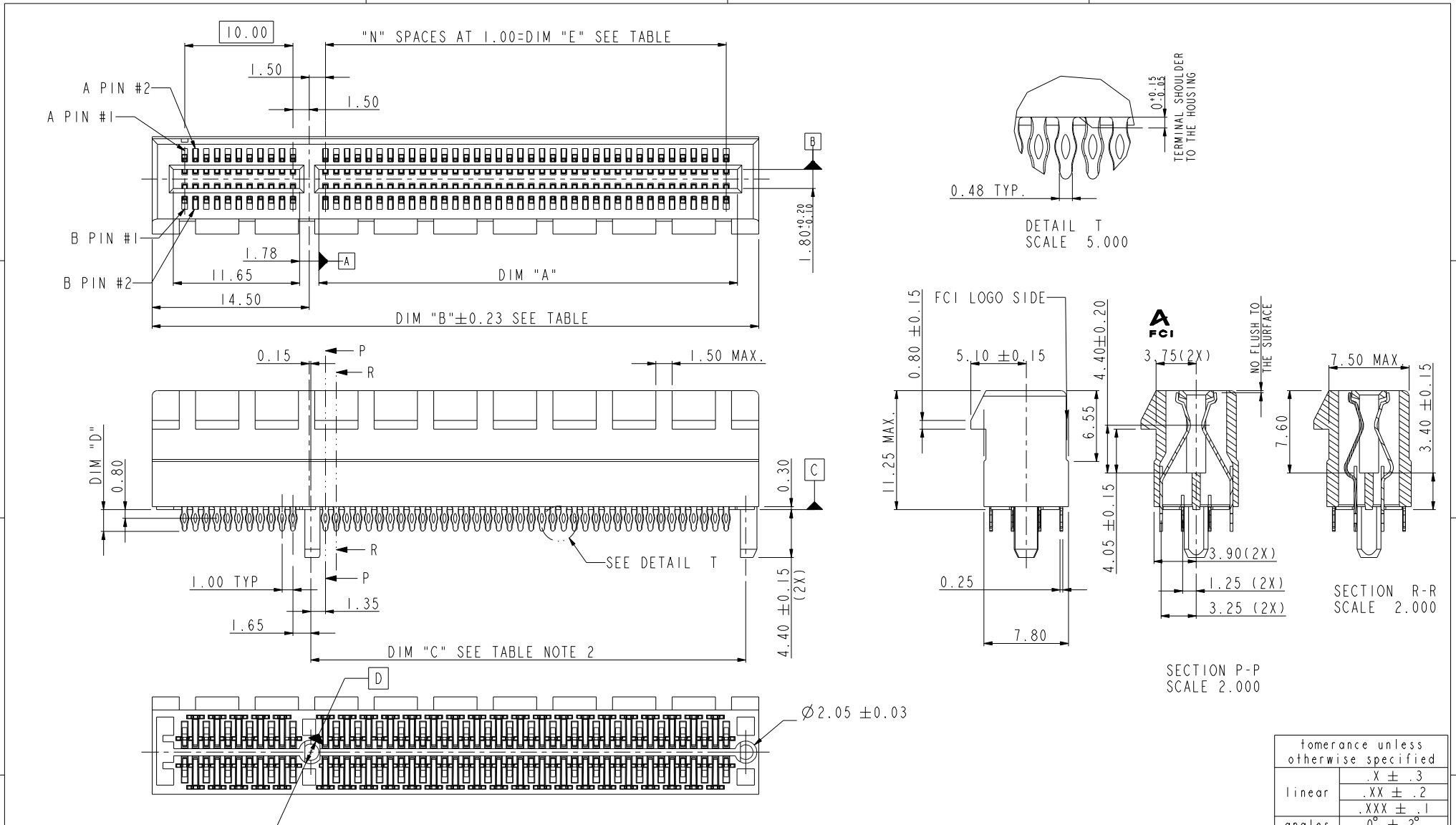




Copyright FCI.



| | |
|--------------------------------------|----------------------------------|
| tolerance unless otherwise specified | |
| linear | .X ± .3 .XX ± .2 .XXX ± .1 |
| angles | 0° ± 2° |

| rev | ecn no | dr | date |
|-----|-----------|-----|----------|
| H | DG06-0161 | P M | 04/11/06 |
| J | DG06-0249 | P M | 06/24/06 |
| K | DG09-0045 | B L | 02/23/09 |
| E | T05-0224 | M W | 09/27/05 |
| F | T05-0243 | M W | 10/27/05 |
| G | T05-0257 | M W | 11/08/05 |

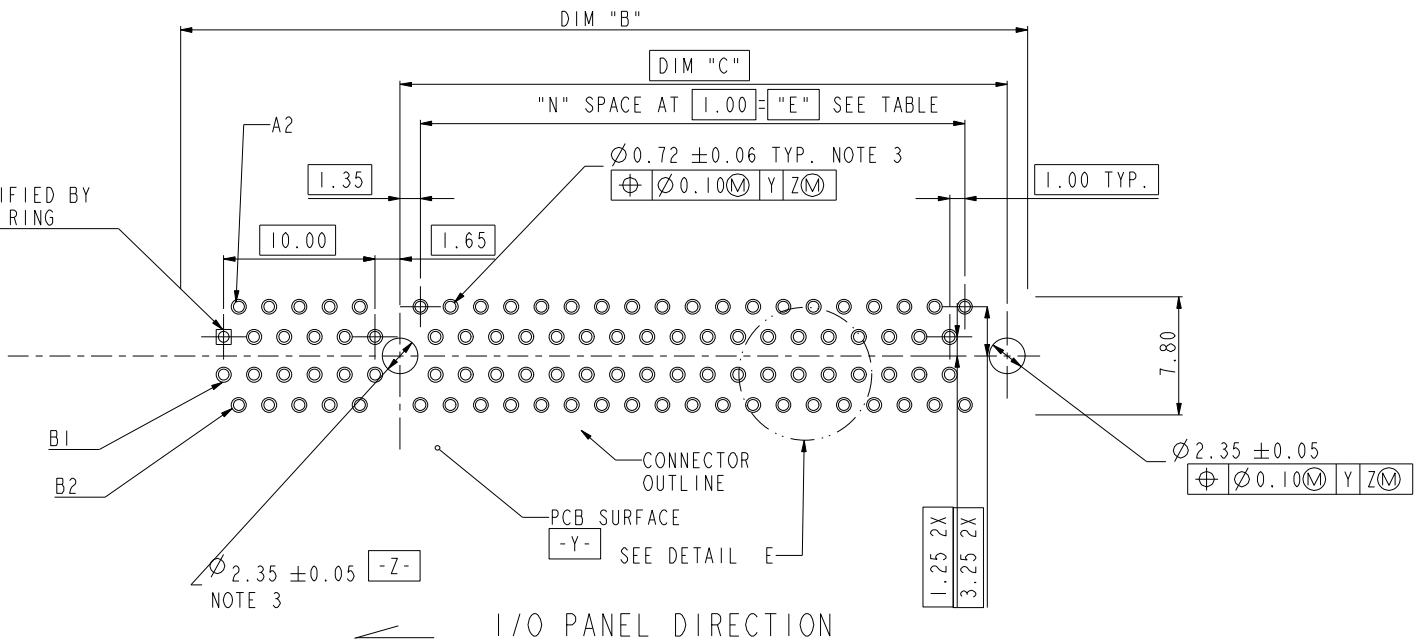
| | | | | | | |
|--------------------|-------------|----------|-----------------------------|-----------|--------------------|--------------|
| www.fciconnect.com | | | ✓ | tolerance | projection | MM |
| Dr | MAGGIE WU | 07/23/04 | Product family | | size | A4 |
| Eng | R Y LIU | 07/23/04 | Spec ref | | Scale | 1.000 |
| Chr | PAUL WANG | 07/23/04 | Material | | ECN | DG09-0045 |
| Appr | JOSEPH HSIA | 07/23/04 | | | | |
| FCI | | | PCI EXPRESS PRESS-FIT ASS'Y | | dwg no | 10039755 |
| catalog no | | | | | Rev. | K |
| | | | | | * CUSTOMER DRAWING | sheet 1 of 6 |

REV F - 2006-04-17

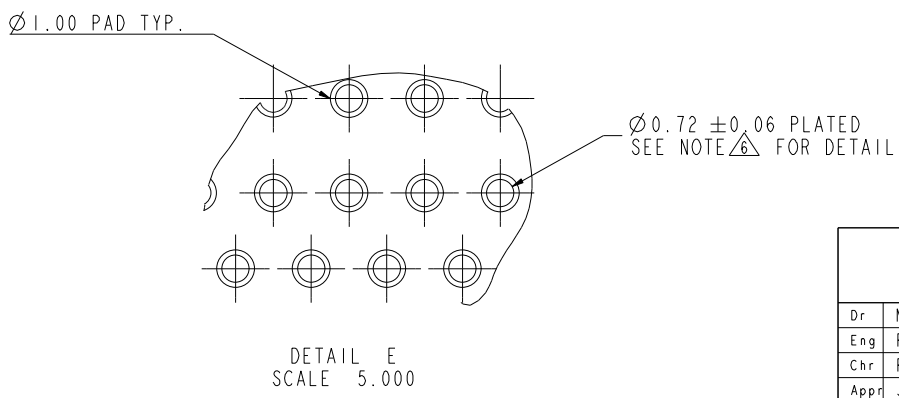


Copyright FCI.

PIN #A1 IDENTIFIED BY SQUARE ANNULAR RING



RECOMMENDED FOOTPRINT



| | |
|--------------------------------------|----------------------------------|
| tolerance unless otherwise specified | |
| linear | .X ± .3 .XX ± .2 .XXX ± .1 |
| angles | 0° ± 2° |

| | | | | | |
|-----------------------------|-------------|----------|---------------------------------|------------|-----------|
| www.fciconnect.com | | | tolerance | projection | MM |
| Dr | MAGGIE WU | 07/23/04 | ✓ | ⊕ | ↔ |
| Eng | R Y LIU | 07/23/04 | | size | A4 |
| Chr | PAUL WANG | 07/23/04 | | Scale | 1.000 |
| Appr | JOSEPH HSIA | 07/23/04 | | ECN | DG09-0045 |
| PCI EXPRESS PRESS-FIT ASS'Y | | | dwg no | 10039755 | Rev. K |
| catalog no | | | * CUSTOMER DRAWING sheet 2 of 6 | | |

A

B

C

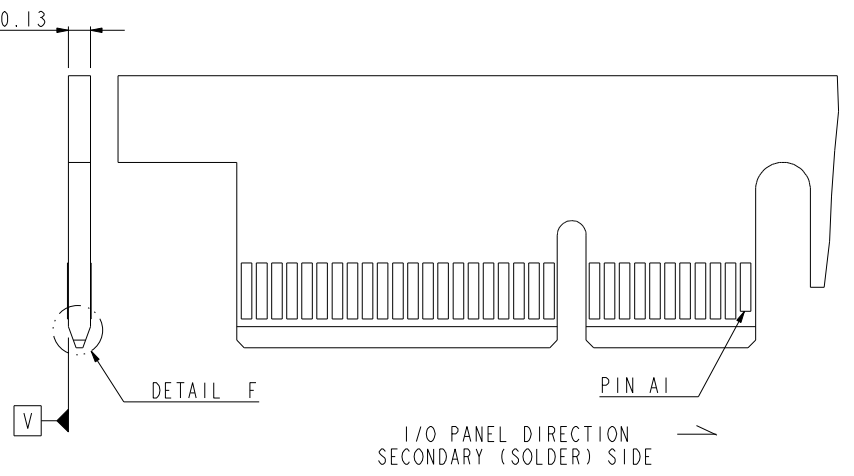
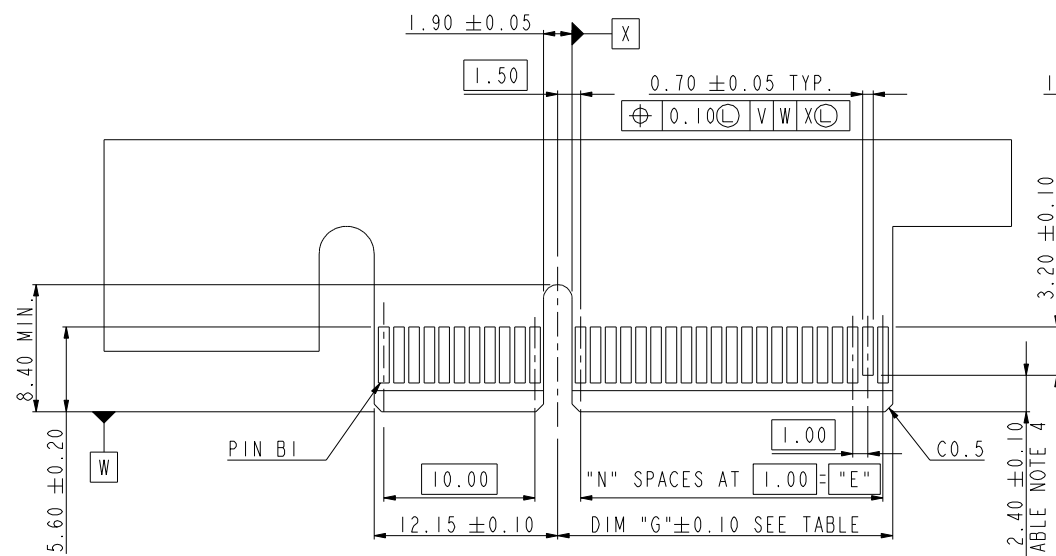
D

A

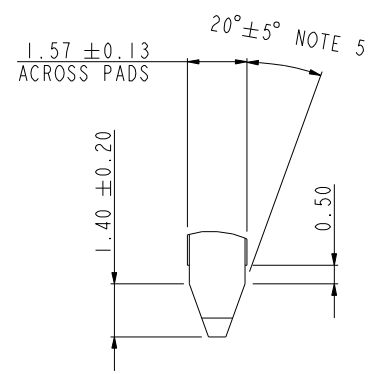
B

C

D



← I/O PANEL DIRECTION
PRIMARY (COMPONENT) SIDE



DETAIL F
SCALE 5.000

| # POS REF. | N | DIM "G" | "F" |
|------------|----|---------|-----|
| 98 | 37 | 39.15 | B48 |
| 164 | 70 | 72.15 | B81 |

| | |
|--------------------------------------|----------------------------------|
| tolerance unless otherwise specified | |
| linear | .X ± .3 .XX ± .2 .XXX ± .1 |
| angles | 0° ± 2° |

| | | | | | |
|---------------------------------|-------------|----------|---------------------------------|------------|-----------|
| www.fciconnect.com | | | tolerance | projection | MM |
| Dr | MAGGIE WU | 07/23/04 | Product family | size | A4 |
| Eng | R Y LIU | 07/23/04 | Spec ref | Scale | 1.000 |
| Chr | PAUL WANG | 07/23/04 | Material | ECN | DG09-0045 |
| Appr | JOSEPH HSIA | 07/23/04 | | | |
| FCI PCI EXPRESS PRESS-FIT ASS'Y | | | dwg no | 10039755 | Rev. K |
| catalog no | | | * CUSTOMER DRAWING sheet 3 of 6 | | |



Copyright FCI.

1

2

3

4

A

B

C

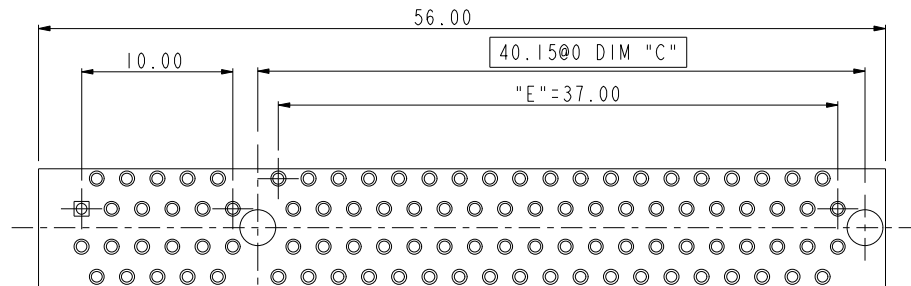
D

A

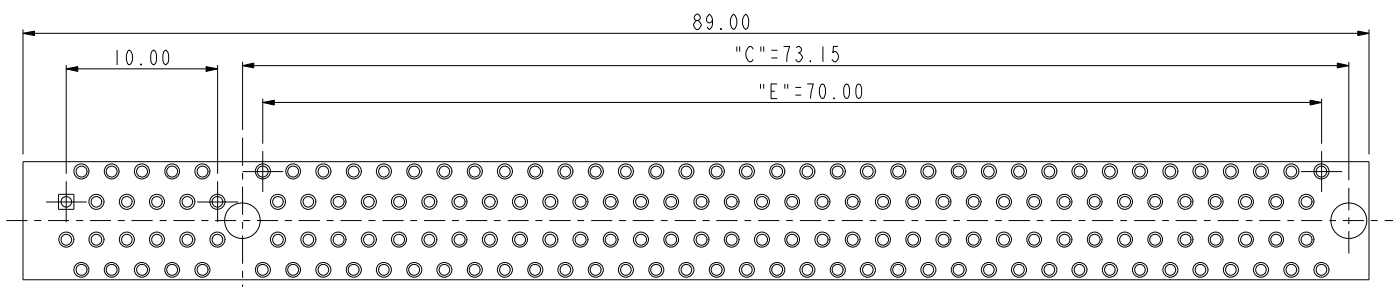
B

C

D



98p
SCALE 2.000



164P
SCALE 2.000

RECOMMENDED FOOTPRINT LAYOUT

| | | | | | |
|--------------------|-------------|-----------------------------|----------------|------------|---------------|
| www.fciconnect.com | | | ✓ tolerance | projection | MM |
| Dr | MAGGIE WU | 07/23/04 | Product family | 3G10 | size A4 |
| Eng | R Y LIU | 07/23/04 | Spec ref | * | Scale 1.000 |
| Chr | PAUL WANG | 07/23/04 | Material | * | ECN DG09-0045 |
| Appr | JOSEPH HSIA | 07/23/04 | | | |
| | | PCI EXPRESS PRESS-FIT ASS'Y | | dwg no | 10039755 |
| catalog no | | * | | CUSTOMER | sheet 4 of 6 |

2

3 PDM: Rev:K

STATUS:Released

4 Printed: Mar 15, 2011

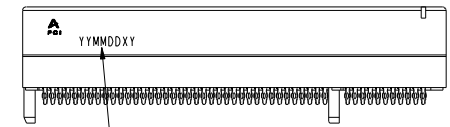


Copyright FCI.

NOTES:

1. MATERIAL:
 - HOUSING: HIGH TEMPERATURE NYLON, GLASS FILLED UL94V-0 RATED. SUITABLE FOR REFLOW SOLDERING.
 - TERMINAL: COPPER ALLOY
 - PLATING: 50u" NICKEL UNDERPLATE ALL OVER
 - CONTACT AREA PLATING - SEE PRODUCT NUMBER CODE
 - SOLDER TAIL: TIN - 100u" MIN. OVER 50u" NICKEL OR TIN/LEAD 100u" MIN. SEE PRODUCT NUMBER CODE
2. PRODUCT SPECIFICATION: GS-12-319
 - ⚠ THE HORIZONTAL AXIS FOR THE HOLE PATTERN IS ESTABLISHED BY A LINE THROUGH THE CENTER OF THE TWO Ø2.35 HOLES.
 - THE VERTICAL AXIS IS 90° TO THE HORIZONTAL AXIS, THROUGH THE CENTER OF DATUM Z.
 - ⚠ NO TIE BAR PERMITTED FROM CARD EDGE TO LEADING EDGE OF PAD FOR PINS A1 AND PIN NUMBERS "F".
 - ⚠ CHAMFER EDGES MUST BE FREE OF CUTTING BURRS.
 - ⚠ ALL PTH SHOULD BE 0.76~0.83 mm DIA DRILLED AND 0.025~0.05 mm. ELECTRO-DEPOSITED COPPER THK ON THROUGH HOLE WALL.
7. RoHS COMPATIBLE PRODUCT SPECIFICATIONS
 - a-PLATING:
 - "LF" MEANS THE PRODUCT IS LEAD-FREE, 2um MINIMUM MATTE TIN OVER 1.27um MINIMUM NICKEL UNDERPLATE.
 - b-MANUFACTURING PROCESS COMPATIBILITY
 - THE HOUSING WILL WITHSTAND EXPOSURE TO 260°C±5°C SOLDER BATH TEMPERATURE FOR 5 SECONDS IN A REFLOW SOLDER APPLICATION WITH A 1.6mm MIN THICK CIRCUIT BOARD.

| CONNECTOR | # POS | REF. | N | DIM "A" | DIM "B" | DIM "C" | DIM "E" |
|-----------|-------|------|----|---------|---------|---------|---------|
| 1 PORT | 36 | | 6 | 7.65 | 25.00 | 9.15 | 6.00 |
| 4 PORT | 64 | | 20 | 21.65 | 39.00 | 23.15 | 20.00 |
| 8 PORT | 98 | | 37 | 38.65 | 56.00 | 40.15 | 37.00 |
| 16 PORT | 164 | | 70 | 71.65 | 89.00 | 73.15 | 70.00 |



Date code:
 "YY" means year number
 "MM" means month number
 "DD" means day number
 "X" means manufacture location
 "D" means made in Dongguan site
 "Y" means shift number
 If date code is 060626D1, it means this part is made by shift 1 in 2006/06/26 and manufactured in Dongguan site
 Date code should be laser mark

PRODUCT NUMBER CODE

10039755 - X X X X X X X X

HOUSING COLOR OPTIONS
 1-BLACK

PEGS OPTIONS
 0-PLASTIC PEGS

TERMINAL PLATING OPTIONS

- 0-50u" Ni UNDERPLATE
 30u" Au CONTACT AREA
 100u" TIN TAIL AREA -----COMPATIBLE RoHS
- 1-50u" Ni UNDERPLATE
 15u" Au CONTACT AREA
 100u" TIN TAIL AREA -----COMPATIBLE RoHS
- 2-50u" Ni UNDERPLATE
 GOLD FLASH CONTACT AREA
 100u" TIN TAIL AREA -----COMPATIBLE RoHS
- 3-50u" Ni UNDERPLATE
 30u" Au CONTACT AREA
 100u" TIN/LEAD TAIL AREA -----RoHS COMPLIANT EXCEPT Pb
- 4-50u" Ni UNDERPLATE
 15u" Au CONTACT AREA
 100u" TIN/LEAD TAIL AREA -----RoHS COMPLIANT EXCEPT Pb
- 5-50u" Ni UNDERPLATE
 GOLD FLASH CONTACT AREA
 100u" TIN/LEAD TAIL AREA -----RoHS COMPLIANT EXCEPT Pb

LEAD FREE OPTION
 "LF" FOR TERMINAL PLATING OPTION 0,1,2
 LEAVE BLANK FOR TERMINAL PLATING 3,4,5

PACKAGING OPTIONS
 T-TRAY PACKAGING

POS OPTIONS
 0-36
 1-64
 2-98
 3-164

| | DIM "D" | SUGGESTED PCB THICKNESS |
|---|-----------|-------------------------|
| 0 | 2.00±0.20 | 2.36 |
| 1 | 3.25±0.20 | 4.19 |

| tolerance unless otherwise specified | |
|--------------------------------------|----------------------------------|
| linear | .X ± .3 .XX ± .2 .XXX ± .1 |
| angles | 0° ± 2° |

| | | | | | |
|---------------------------------|-------------|----------|---------------------------------|------------|-------------|
| www.fciconnect.com | | | ✓ tolerance | projection | MM |
| Dr | MAGGIE WU | 07/23/04 | Product family | size A4 | Scale 1.000 |
| Eng | R Y LIU | 07/23/04 | Spec ref | ECN | DG09-0045 |
| Chr | PAUL WANG | 07/23/04 | Material | | |
| Appr | JOSEPH HSIA | 07/23/04 | | | |
| FCI PCI EXPRESS PRESS-FIT ASS'Y | | | dwg no | 10039755 | Rev. K |
| catalog no | | | * CUSTOMER DRAWING sheet 5 of 6 | | |



Copyright FCI.

1

2

3

4

A

B

C

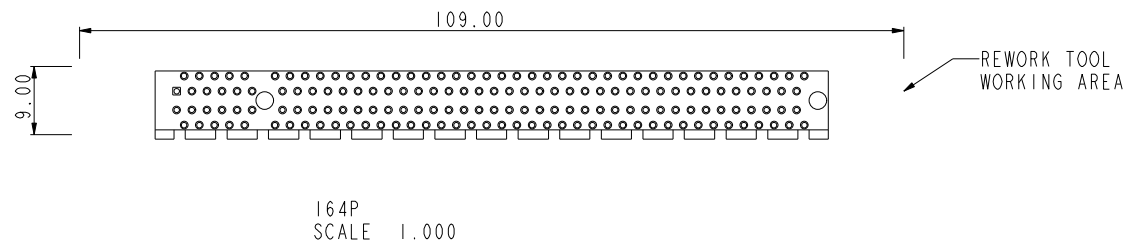
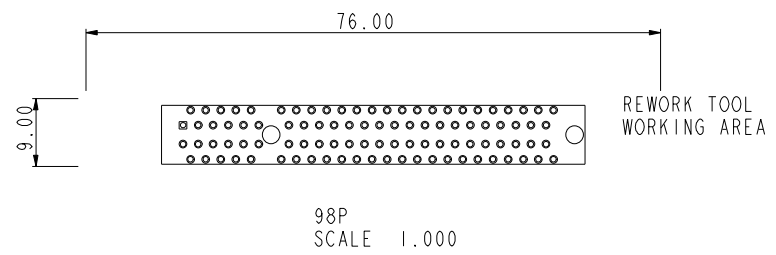
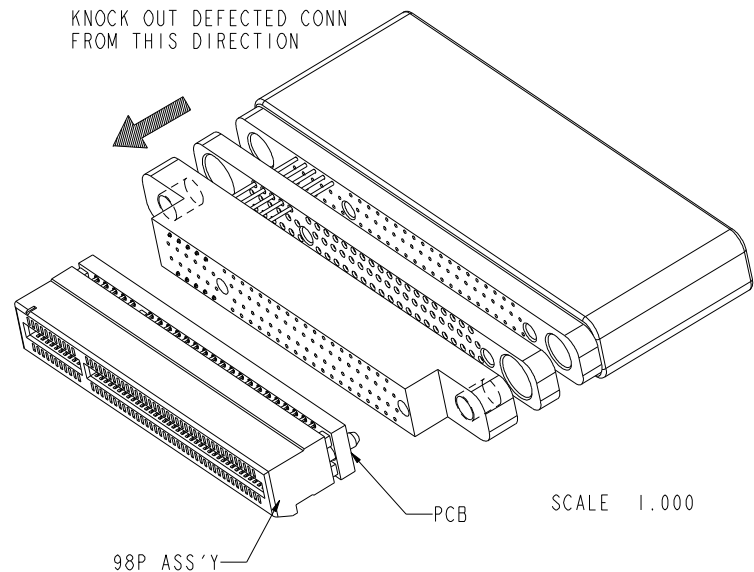
D

A

B

C

D



| | |
|--------------------------------------|----------------------------------|
| tolerance unless otherwise specified | |
| linear | .X ± .3 .XX ± .2 .XXX ± .1 |
| angles | 0° ± 2° |

| | | | | | |
|--------------------|-------------|----------|-----------------------------|-----------------|-----------|
| www.fciconnect.com | | | ✓ tolerance | projection ⊕ | MM ↔ |
| Dr | MAGGIE WU | 07/23/04 | Product family | size | A4 |
| Eng | R Y LIU | 07/23/04 | Spec ref | Scale | 1.000 |
| Chr | PAUL WANG | 07/23/04 | Material | ECN | DG09-0045 |
| Appr | JOSEPH HSIA | 07/23/04 | | | |
| | | | PCI EXPRESS PRESS-FIT ASS'Y | dwg no | 10039755 |
| catalog no | | | * CUSTOMER DRAWING | sheet 6 of 6 | |



Copyright FCI.

2

Данный компонент на территории Российской Федерации

Вы можете приобрести в компании MosChip.

Для оперативного оформления запроса Вам необходимо перейти по данной ссылке:

<http://moschip.ru/get-element>

Вы можете разместить у нас заказ для любого Вашего проекта, будь то серийное производство или разработка единичного прибора.

В нашем ассортименте представлены ведущие мировые производители активных и пассивных электронных компонентов.

Нашей специализацией является поставка электронной компонентной базы двойного назначения, продукции таких производителей как XILINX, Intel (ex.ALTERA), Vicor, Microchip, Texas Instruments, Analog Devices, Mini-Circuits, Amphenol, Glenair.

Сотрудничество с глобальными дистрибьюторами электронных компонентов, предоставляет возможность заказывать и получать с международных складов практически любой перечень компонентов в оптимальные для Вас сроки.

На всех этапах разработки и производства наши партнеры могут получить квалифицированную поддержку опытных инженеров.

Система менеджмента качества компании отвечает требованиям в соответствии с ГОСТ Р ИСО 9001, ГОСТ РВ 0015-002 и ЭС РД 009

Офис по работе с юридическими лицами:

105318, г.Москва, ул.Щербаковская д.3, офис 1107, 1118, ДЦ «Щербаковский»

Телефон: +7 495 668-12-70 (многоканальный)

Факс: +7 495 668-12-70 (доб.304)

E-mail: info@moschip.ru

Skype отдела продаж:

moschip.ru

moschip.ru_4

moschip.ru_6

moschip.ru_9