

### FEATURES

#### High-Resolution Sigma-Delta ADCs

- Dual 16-Bit Independent ADCs
- Programmable Gain Front End
- 16-Bit No Missing Codes, Primary ADC
- 13-Bit p-p Resolution @ 20 Hz, 20 mV Range
- 16-Bit p-p Resolution @ 20 Hz, 2.56 V Range

#### Memory

- 8 Kbytes On-Chip Flash/EE Program Memory
- 640 Bytes On-Chip Flash/EE Data Memory
- Flash/EE, 100 Year Retention, 100 Kcycles Endurance
- 256 Bytes On-Chip Data RAM

#### 8051-Based Core

- 8051-Compatible Instruction Set (12.58 MHz Max)
- 32 kHz External Crystal, On-Chip Programmable PLL
- Three 16-Bit Timer/Counters
- 26 Programmable I/O Lines
- 11 Interrupt Sources, Two Priority Levels

#### Power

- Specified for 3 V and 5 V Operation
- Normal: 3 mA @ 3 V (Core CLK = 1.5 MHz)
- Power-Down: 20  $\mu$ A (32 kHz Crystal Running)

#### On-Chip Peripherals

- On-Chip Temperature Sensor
- 12-Bit Voltage Output DAC
- Dual Excitation Current Sources
- Reference Detect Circuit
- Time Interval Counter (TIC)
- UART Serial I/O
- I<sup>2</sup>C<sup>®</sup>-Compatible and SPI<sup>®</sup> Serial I/O
- Watchdog Timer (WDT), Power Supply Monitor (PSM)

### APPLICATIONS

- Intelligent Sensors (IEEE1451.2-Compatible)
- Weigh Scales
- Portable Instrumentation
- Pressure Transducers
- 4–20 mA Transmitters

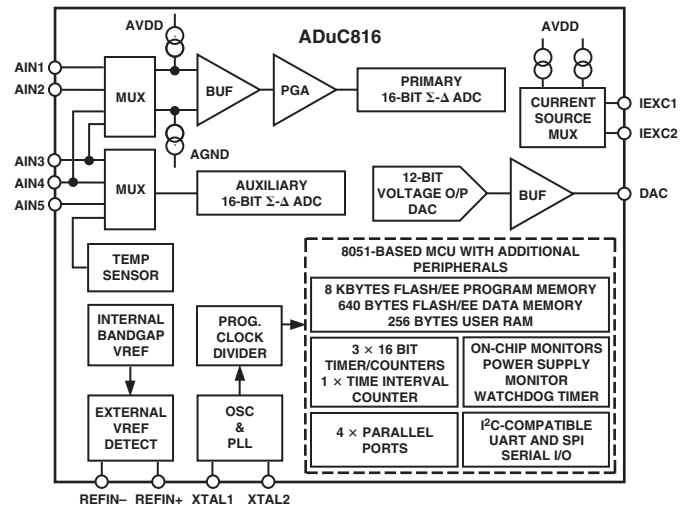
### GENERAL DESCRIPTION

The ADuC816 is a complete smart transducer front-end, integrating two high-resolution sigma-delta ADCs, an 8-bit MCU, and program/data Flash/EE Memory on a single chip. This low power device accepts low-level signals directly from a transducer.

The two independent ADCs (Primary and Auxiliary) include a temperature sensor and a PGA (allowing direct measurement of low-level signals). The ADCs with on-chip digital filtering are

MicroConverter is a registered trademark of Analog Devices, Inc.  
SPI is a registered trademark of Motorola, Inc.  
I<sup>2</sup>C is a registered trademark of Philips Semiconductors, Inc.

### FUNCTIONAL BLOCK DIAGRAM



intended for the measurement of wide dynamic range, low frequency signals, such as those in weigh scale, strain gauge, pressure transducer, or temperature measurement applications. The ADC output data rates are programmable and the ADC output resolution will vary with the programmed gain and output rate.

The device operates from a 32 kHz crystal with an on-chip PLL generating a high-frequency clock of 12.58 MHz. This clock is, in turn, routed through a programmable clock divider from which the MCU core clock operating frequency is generated. The microcontroller core is an 8052 and therefore 8051-instruction-set-compatible. The microcontroller core machine cycle consists of 12 core clock periods of the selected core operating frequency. 8 Kbytes of nonvolatile Flash/EE program memory are provided on-chip. 640 bytes of nonvolatile Flash/EE data memory and 256 bytes RAM are also integrated on-chip.

The ADuC816 also incorporates additional analog functionality with a 12-bit DAC, current sources, power supply monitor, and a bandgap reference. On-chip digital peripherals include a watchdog timer, time interval counter, three timers/counters, and three serial I/O ports (SPI, UART, and I<sup>2</sup>C-compatible).

On-chip factory firmware supports in-circuit serial download and debug modes (via UART), as well as single-pin emulation mode via the  $\overline{EA}$  pin. A functional block diagram of the ADuC816 is shown above with a more detailed block diagram shown in Figure 12.

The part operates from a single 3 V or 5 V supply. When operating from 3 V supplies, the power dissipation for the part is below 10 mW. The ADuC816 is housed in 52-lead MQFP and 56-lead LFCSP packages.

## TABLE OF CONTENTS

FEATURES .....	1	Using the Flash/EE Memory Interface .....	40
GENERAL DESCRIPTION .....	1	Erase-All .....	40
SPECIFICATIONS .....	3	Program a Byte .....	40
TIMING SPECIFICATIONS .....	8	USER INTERFACE TO OTHER ON-CHIP ADuC816	
ABSOLUTE MAXIMUM RATINGS .....	18	PERIPHERALS .....	41
ORDERING GUIDE .....	18	DAC .....	41
PIN FUNCTION DESCRIPTIONS .....	19	On-Chip PLL .....	42
ADuC816 BLOCK DIAGRAM .....	21	Time Interval Counter (TIC) .....	43
MEMORY ORGANIZATION .....	22	Watchdog Timer .....	46
OVERVIEW OF MCU-RELATED SFRS .....	23	Power Supply Monitor .....	47
Accumulator SFR .....	23	SERIAL PERIPHERAL INTERFACE .....	48
B SFR .....	23	MISO (Master In, Slave Out Data I/O Pin), Pin 14 .....	48
Stack Pointer SFR .....	23	MOSI (Master Out, Slave In Pin), Pin 27 .....	48
Data Pointer .....	23	SCLOCK (Serial Clock I/O Pin), Pin 26 .....	48
Program Status Word SFR .....	23	$\overline{SS}$ (Slave Select Input Pin), Pin 13 .....	48
Power Control SFR .....	23	Using the SPI Interface .....	49
SPECIAL FUNCTION REGISTERS .....	24	SPI Interface—Master Mode .....	49
SFR INTERFACE TO THE PRIMARY AND		SPI Interface—Slave Mode .....	49
AUXILIARY ADCs .....	25	I <sup>2</sup> C-COMPATIBLE INTERFACE .....	50
ADCSTAT (ADC Status Register) .....	25	8051-COMPATIBLE ON-CHIP PERIPHERALS .....	51
ADCMODE (ADC Mode Register) .....	26	Parallel I/O Ports 0–3 .....	51
ADC0CON (Primary ADC Control Register) .....	27	Timers/Counters .....	51
ADC1CON (Auxiliary ADC Control Register) .....	28	TIMER/COUNTER 0 AND 1 OPERATING MODES .....	54
SF (Sinc Filter Register) .....	28	Mode 0 (13-Bit Timer/Counter) .....	54
ICON (Current Sources Control Register) .....	29	Mode 1 (16-Bit Timer/Counter) .....	54
ADC0H/ADC0M (Primary ADC Conversion Result		Mode 2 (8-Bit Timer/Counter with Autoreload) .....	54
Registers) .....	29	Mode 3 (Two 8-Bit Timer/Counters) .....	54
ADC1H/ADC1L (Auxiliary ADC Conversion Result		Timer/Counter 2 Data Registers .....	55
Registers) .....	29	TH2 and TL2 .....	55
OF0H/OF0M (Primary ADC Offset Calibration		RCAP2H and RCAP2L .....	55
Registers) .....	30	Timer/Counter 2 Operating Modes .....	56
OF1H/OF1L (Auxiliary ADC Offset Calibration		16-Bit Autoreload Mode .....	56
Registers) .....	30	16-Bit Capture Mode .....	56
GN0H/GN0M (Primary ADC Gain Calibration		UART SERIAL INTERFACE .....	57
Registers) .....	30	SBUF .....	57
GN1H/GN1L (Auxiliary ADC Gain Calibration		Mode 0: 8-Bit Shift Register Mode .....	58
Registers) .....	30	Mode 1: 8-Bit UART, Variable Baud Rate .....	58
PRIMARY AND AUXILIARY ADC CIRCUIT		Mode 2: 9-Bit UART with Fixed Baud Rate .....	58
DESCRIPTION OVERVIEW .....	31	Mode 3: 9-Bit UART with Variable Baud Rate .....	58
Primary ADC .....	31	UART Serial Port Baud Rate Generation .....	58
Auxiliary ADC .....	32	Timer 1 Generated Baud Rates .....	59
PRIMARY AND AUXILIARY ADC NOISE		Timer 2 Generated Baud Rates .....	59
PERFORMANCE .....	33	INTERRUPT SYSTEM .....	60
Analog Input Channels .....	33	Interrupt Priority .....	61
Primary and Auxiliary ADC Inputs .....	33	ADuC816 HARDWARE DESIGN CONSIDERATIONS .....	62
Analog Input Ranges .....	33	Clock Oscillator .....	62
Programmable Gain Amplifier .....	34	External Memory Interface .....	62
Bipolar/Unipolar Inputs .....	34	Power-On Reset Operation .....	63
Burnout Currents .....	34	Power Supplies .....	63
Excitation Currents .....	34	Power Consumption .....	64
Reference Input .....	34	Power-Saving Modes .....	64
Reference Detect .....	35	Grounding and Board Layout Recommendations .....	64
Sigma-Delta Modulator .....	35	ADuC816 System Self-Identification .....	65
Digital Filter .....	35	OTHER HARDWARE CONSIDERATIONS .....	65
ADC Chopping .....	36	In-Circuit Serial Download Access .....	65
Calibration .....	36	Embedded Serial Port Debugger .....	65
NONVOLATILE FLASH/EE MEMORY .....	37	Single-Pin Emulation Mode .....	65
Flash/EE Memory Overview .....	37	Enhanced-Hooks Emulation Mode .....	66
Flash/EE Memory and the ADuC816 .....	37	Typical System Configuration .....	66
ADuC816 Flash/EE Memory Reliability .....	37	QUICKSTART DEVELOPMENT SYSTEM .....	67
Using the Flash/EE Program Memory .....	38	Download—In-Circuit Serial Downloader .....	67
Flash/EE Program Memory Security .....	38	DeBug—In-Circuit Debugger .....	67
Using the Flash/EE Data Memory .....	39	ADSIM—Windows Simulator .....	67
ECON—Flash/EE Memory Control SFR .....	39	OUTLINE DIMENSIONS .....	68
Flash/EE Memory Timing .....	40		

# SPECIFICATIONS<sup>1</sup>

( $V_{DD} = 2.7\text{ V to }3.6\text{ V or }4.75\text{ V to }5.25\text{ V}$ ,  $DV_{DD} = 2.7\text{ V to }3.6\text{ V or }4.75\text{ V to }5.25\text{ V}$ ,  
 $REFIN(+)=2.5\text{ V}$ ;  $REFIN(-)=AGND$ ;  $AGND= DGND=0\text{ V}$ ;  $XTAL1/XTAL2=32.768\text{ kHz Crystal}$ ; all specifications  $T_{MIN}$  to  $T_{MAX}$  unless otherwise noted.)

Parameter	ADuC816BS	Unit	Test Conditions/Comments
<b>ADC SPECIFICATIONS</b>			
Conversion Rate	5.4 105	Hz min Hz max	On Both Channels Programmable in 0.732 ms Increments
Primary ADC			
No Missing Codes <sup>2</sup>	16	Bits min	20 Hz Update Rate
Resolution	13 16	Bits p-p typ Bits p-p typ	Range = $\pm 20\text{ mV}$ , 20 Hz Update Rate Range = $\pm 2.56\text{ V}$ , 20 Hz Update Rate p-p Resolution at this Range/Update Rate Setting Is Limited Only by the Number of Bits Available from ADC
Output Noise	See Table IX and X in ADC Description		Output Noise Varies with Selected Update Rate and Gain Range
Integral Nonlinearity	$\pm 1$	LSB max	
Offset Error	$\pm 3$	$\mu\text{V typ}$	
Offset Error Drift	$\pm 10$	$\text{nV}/^\circ\text{C typ}$	
Full-Scale Error <sup>3</sup>	$\pm 10$	$\mu\text{V typ}$	Range = $\pm 20\text{ mV to } \pm 640\text{ mV}$
Gain Error Drift <sup>4</sup>	$\pm 0.5$	LSB typ	Range = $\pm 1.28\text{ V to } \pm 2.56\text{ V}$
ADC Range Matching	$\pm 0.5$	ppm/ $^\circ\text{C typ}$	
Power Supply Rejection (PSR)	95 80	LSB typ dBs typ	AIN = 18 mV AIN = 7.8 mV, Range = $\pm 20\text{ mV}$ AIN = 1 V, Range = $\pm 2.56\text{ V}$
Common-Mode DC Rejection			
On AIN	95	dBs typ	At DC, AIN = 7.8 mV, Range = $\pm 20\text{ mV}$
On REFIN	90	dBs typ	At DC, AIN = 1 V, Range = $\pm 2.56\text{ V}$
Common-Mode 50 Hz/60 Hz Rejection <sup>2</sup>			
On AIN	95	dBs typ	At DC, AIN = 1 V, Range = $\pm 2.56\text{ V}$ 20 Hz Update Rate 50 Hz/60 Hz $\pm 1\text{ Hz}$ , AIN = 7.8 mV, Range = $\pm 20\text{ mV}$
On REFIN	90	dBs typ	50 Hz/60 Hz $\pm 1\text{ Hz}$ , AIN = 1 V, Range = $\pm 2.56\text{ V}$
On REFIN	90	dBs typ	50 Hz/60 Hz $\pm 1\text{ Hz}$ , AIN = 1 V, Range = $\pm 2.56\text{ V}$
Normal Mode 50 Hz/60 Hz Rejection <sup>2</sup>			
On AIN	60	dBs typ	50 Hz/60 Hz $\pm 1\text{ Hz}$ , 20 Hz Update Rate
On REFIN	60	dBs typ	50 Hz/60 Hz $\pm 1\text{ Hz}$ , 20 Hz Update Rate
Auxiliary ADC			
No Missing Codes <sup>2</sup>	16	Bits min	Range = $\pm 2.5\text{ V}$ , 20 Hz Update Rate
Resolution	16	Bits p-p typ	Output Noise Varies with Selected Update Rate
Output Noise	See Table XI in ADC Description		
Integral Nonlinearity	$\pm 1$	LSB max	
Offset Error	-2	LSB typ	
Offset Error Drift	1	$\mu\text{V}/^\circ\text{C typ}$	
Full-Scale Error <sup>5</sup>	-2.5	LSB typ	
Gain Error Drift <sup>4</sup>	$\pm 0.5$	ppm/ $^\circ\text{C typ}$	
Power Supply Rejection (PSR)	80	dBs typ	AIN = 1 V, 20 Hz Update Rate
Normal Mode 50 Hz/60 Hz Rejection <sup>2</sup>			
On AIN	60	dBs typ	50 Hz/60 Hz $\pm 1\text{ Hz}$
On REFIN	60	dBs typ	50 Hz/60 Hz $\pm 1\text{ Hz}$ , 20 Hz Update Rate
<b>DAC PERFORMANCE</b>			
<b>DC Specifications<sup>6</sup></b>			
Resolution	12	Bits	Guaranteed 12-Bit Monotonic
Relative Accuracy	$\pm 3$	LSB typ	
Differential Nonlinearity	-1	LSB max	
Offset Error	$\pm 50$	mV max	
Gain Error <sup>7</sup>	$\pm 1$	% max	
	$\pm 1$	% typ	$V_{DD}$ Range $V_{REF}$ Range
<b>AC Specifications<sup>2, 6</sup></b>			
Voltage Output Settling Time	15	$\mu\text{s typ}$	Settling Time to 1 LSB of Final Value
Digital-to-Analog Glitch Energy	10	nVs typ	1 LSB Change at Major Carry

# ADuC816—SPECIFICATIONS<sup>1</sup>

Parameter	ADuC816BS	Unit	Test Conditions/Comments
<b>INTERNAL REFERENCE</b>			
ADC Reference			
Reference Voltage	1.25 ± 1%	V min/max	Initial Tolerance @ 25°C, V <sub>DD</sub> = 5 V
Power Supply Rejection	45	dBs typ	
Reference Tempco	100	ppm/°C typ	
DAC Reference			
Reference Voltage	2.5 ± 1%	V min/max	Initial Tolerance @ 25°C, V <sub>DD</sub> = 5 V
Power Supply Rejection	50	dBs typ	
Reference Tempco	±100	ppm/°C typ	
<b>ANALOG INPUTS/REFERENCE INPUTS</b>			
Primary ADC			
Differential Input Voltage Ranges <sup>8,9</sup>			
Bipolar Mode (ADC0CON.3 = 0)	±20	mV	External Reference Voltage = 2.5 V
	±40	mV	RN2, RN1, RN0 of ADC0CON Set to
	±80	mV	0 0 0 (Unipolar Mode 0 mV to 20 mV)
	±160	mV	0 0 1 (Unipolar Mode 0 mV to 40 mV)
	±320	mV	0 1 0 (Unipolar Mode 0 mV to 80 mV)
	±640	mV	0 1 1 (Unipolar Mode 0 mV to 160 mV)
	±1.28	V	1 0 0 (Unipolar Mode 0 mV to 320 mV)
	±2.56	V	1 0 1 (Unipolar Mode 0 mV to 640 mV)
	±1	nA max	1 1 0 (Unipolar Mode 0 V to 1.28 V)
	±5	pA/°C typ	1 1 1 (Unipolar Mode 0 V to 2.56 V)
Analog Input Current <sup>2</sup>			
Analog Input Current Drift			
Absolute AIN Voltage Limits			
AGND + 100 mV			
AV <sub>DD</sub> - 100 mV			
Auxiliary ADC			
Input Voltage Range <sup>8,9</sup>			
0 to V <sub>REF</sub>			
V			
Unipolar Mode, for Bipolar Mode			
See Note 11			
Average Analog Input Current			
125 nA/V typ			
Average Analog Input Current Drift <sup>2</sup>			
±2 pA/V/°C typ			
Absolute AIN Voltage Limits <sup>10</sup>			
AGND - 30 mV			
AV <sub>DD</sub> + 30 mV			
V min			
V max			
External Reference Inputs			
REFIN(+) to REFIN(-) Range <sup>2</sup>			
1			
AV <sub>DD</sub>			
V min			
V max			
Average Reference Input Current			
1 μA/V typ			
Average Reference Input Current Drift			
±0.1 nA/V/°C typ			
“NO Ext. REF” Trigger Voltage			
0.3 V min			
0.65 V max			
Both ADCs Enabled			
NOXREF Bit Active if V <sub>REF</sub> < 0.3 V			
NOXREF Bit Inactive if V <sub>REF</sub> > 0.65 V			
<b>ADC SYSTEM CALIBRATION</b>			
Full-Scale Calibration Limit			
+1.05 × FS			
Zero-Scale Calibration Limit			
-1.05 × FS			
Input Span			
0.8 × FS			
2.1 × FS			
V max			
V min			
V min			
V max			
<b>ANALOG (DAC) OUTPUTS</b>			
Voltage Range			
0 to V <sub>REF</sub>			
0 to AV <sub>DD</sub>			
V typ			
V typ			
DACRN = 0 in DACCON SFR			
DACRN = 1 in DACCON SFR			
Resistive Load			
10 kΩ typ			
Capacitive Load			
100 pF typ			
Output Impedance			
0.5 Ω typ			
I <sub>SINK</sub>			
50 μA typ			
From DAC Output to AGND			
From DAC Output to AGND			
<b>TEMPERATURE SENSOR</b>			
Accuracy			
±2 °C typ			
Thermal Impedance (θ <sub>JA</sub> )			
90 °C/W typ			

Parameter	ADuC816BS	Unit	Test Conditions/Comments
<b>TRANSDUCER BURNOUT CURRENT SOURCES</b>			
AIN+ Current	-100	nA typ	AIN+ is the Selected Positive Input to the Primary ADC AIN- is the Selected Negative Input to the Auxiliary ADC
AIN- Current	+100	nA typ	
Initial Tolerance @ 25°C Drift	±10 0.03	% typ %/°C typ	
<b>EXCITATION CURRENT SOURCES</b>			
Output Current	-200	µA typ	Available from Each Current Source
Initial Tolerance @ 25°C Drift	±10 200	% typ ppm/°C typ	
Initial Current Matching @ 25°C Drift Matching	±1 20	% typ ppm/°C typ	Matching Between Both Current Sources
Line Regulation (AV <sub>DD</sub> )	1	µA/V typ	
Load Regulation	0.1	µA/V typ	AV <sub>DD</sub> = 5 V + 5%
Output Compliance	AV <sub>DD</sub> - 0.6 AGND	V max min	
<b>LOGIC INPUTS</b>			
All Inputs Except SCLOCK, RESET, and XTAL1			
V <sub>INL</sub> , Input Low Voltage	0.8 0.4	V max V max	DV <sub>DD</sub> = 5 V DV <sub>DD</sub> = 3 V
V <sub>INH</sub> , Input High Voltage	2.0	V min	
SCLOCK and RESET Only (Schmitt-Triggered Inputs) <sup>2</sup>			
V <sub>T+</sub>	1.3/3 0.95/2.5	V min/V max V min/V max	DV <sub>DD</sub> = 5 V DV <sub>DD</sub> = 3 V
V <sub>T-</sub>	0.8/1.4 0.4/1.1	V min/V max V min/V max	DV <sub>DD</sub> = 5 V DV <sub>DD</sub> = 3 V
V <sub>T+</sub> - V <sub>T-</sub>	0.3/0.85 0.3/0.85	V min/V max V min/V max	DV <sub>DD</sub> = 5 V DV <sub>DD</sub> = 3 V
Input Currents			
Port 0, P1.2-P1.7, $\overline{EA}$	±10	µA max	V <sub>IN</sub> = 0 V or V <sub>DD</sub>
SCLOCK, SDATA/MOSI, MISO, $\overline{SS}$ <sup>11</sup>	-10 min, -40 max	µA min/µA max	V <sub>IN</sub> = 0 V, DV <sub>DD</sub> = 5 V, Internal Pull-Up
RESET	±10 35 min, 105 max	µA max µA min/µA max	V <sub>IN</sub> = V <sub>DD</sub> , DV <sub>DD</sub> = 5 V V <sub>IN</sub> = 0 V, DV <sub>DD</sub> = 5 V V <sub>IN</sub> = V <sub>DD</sub> , DV <sub>DD</sub> = 5 V, Internal Pull-Down
P1.0, P1.1, Ports 2 and 3	±10 -180 -660 -20 -75	µA max µA min µA max µA min µA max	V <sub>IN</sub> = V <sub>DD</sub> , DV <sub>DD</sub> = 5 V V <sub>IN</sub> = 2 V, DV <sub>DD</sub> = 5 V V <sub>IN</sub> = 450 mV, DV <sub>DD</sub> = 5 V
Input Capacitance	5	pF typ	All Digital Inputs
<b>CRYSTAL OSCILLATOR (XTAL1 AND XTAL2)</b>			
Logic Inputs, XTAL1 Only			
V <sub>INL</sub> , Input Low Voltage	0.8 0.4	V max V max	DV <sub>DD</sub> = 5 V DV <sub>DD</sub> = 3 V
V <sub>INH</sub> , Input High Voltage	3.5 2.5	V min V min	DV <sub>DD</sub> = 5 V DV <sub>DD</sub> = 3 V
XTAL1 Input Capacitance	18	pF typ	
XTAL2 Output Capacitance	18	pF typ	

# ADuC816—SPECIFICATIONS<sup>1</sup>

Parameter	ADuC816BS	Unit	Test Conditions/Comments
LOGIC OUTPUTS (Not Including XTAL2) <sup>2</sup>			
V <sub>OH</sub> , Output High Voltage	2.4	V min	V <sub>DD</sub> = 5 V, I <sub>SOURCE</sub> = 80 μA
V <sub>OL</sub> , Output Low Voltage <sup>12</sup>	2.4	V min	V <sub>DD</sub> = 3 V, I <sub>SOURCE</sub> = 20 μA
	0.4	V max	I <sub>SINK</sub> = 8 mA, SCLOCK, SDATA/MOSI
	0.4	V max	I <sub>SINK</sub> = 10 mA, P1.0 and P1.1
Floating State Leakage Current	±10	μA max	I <sub>SINK</sub> = 1.6 mA, All Other Outputs max
Floating State Output Capacitance	5	pF typ	
POWER SUPPLY MONITOR (PSM)			
AV <sub>DD</sub> Trip Point Selection Range	2.63 4.63	V min V max	Four Trip Points Selectable in This Range Programmed via TPA1–0 in PSMCON
AV <sub>DD</sub> Power Supply Trip Point Accuracy	±3.5	% max	
DV <sub>DD</sub> Trip Point Selection Range	2.63 4.63	V min V max	Four Trip Points Selectable in This Range Programmed via TPD1–0 in PSMCON
DV <sub>DD</sub> Power Supply Trip Point Accuracy	±3.5	% max	
WATCHDOG TIMER (WDT)			
Timeout Period	0 2000	ms min ms max	Nine Timeout Periods in This Range Programmed via PRE3–0 in WDCON
MCU CORE CLOCK RATE			
MCU Clock Rate <sup>2</sup>	98.3 12.58	kHz min MHz max	Clock Rate Generated via On-Chip PLL Programmable via CD2–0 Bits in PLLCON SFR
START-UP TIME			
At Power-On	300	ms typ	
From Idle Mode	1	ms typ	
From Power-Down Mode			
Oscillator Running			OSC_PD Bit = 0 in PLLCON SFR
Wake Up with INT0 Interrupt	1	ms typ	
Wake Up with SPI/I <sup>2</sup> C Interrupt	1	ms typ	
Wake Up with TIC Interrupt	1	ms typ	
Wake Up with External RESET	3.4	ms typ	
Oscillator Powered Down			OSC_PD Bit = 1 in PLLCON SFR
Wake Up with External RESET	0.9	sec typ	
After External RESET in Normal Mode	3.3	ms typ	
After WDT Reset in Normal Mode	3.3	ms typ	Controlled via WDCON SFR
FLASH/EE MEMORY RELIABILITY CHARACTERISTICS <sup>13</sup>			
Endurance <sup>14</sup>	100,000	Cycles min	
Data Retention <sup>15</sup>	100	Years min	
POWER REQUIREMENTS			DV <sub>DD</sub> and AV <sub>DD</sub> Can Be Set Independently
Power Supply Voltage			
AV <sub>DD</sub> , 3 V Nominal Operation	2.7 3.6	V min V max	
AV <sub>DD</sub> , 5 V Nominal Operation	4.75 5.25	V min V max	
DV <sub>DD</sub> , 3 V Nominal Operation	2.7 3.6	V min V max	
DV <sub>DD</sub> , 5 V Nominal Operation	4.75 5.25	V min V max	

Parameter	ADuC816BS	Unit	Test Conditions/Comments
<b>POWER REQUIREMENTS (continued)</b>			
Power Supply Currents Normal Mode <sup>16, 17</sup>			
DV <sub>DD</sub> Current	4	mA max	DV <sub>DD</sub> = 4.75 V to 5.25 V, Core CLK = 1.57 MHz
	2.1	mA max	DV <sub>DD</sub> = 2.7 V to 3.6 V, Core CLK = 1.57 MHz
AV <sub>DD</sub> Current	170	µA max	AV <sub>DD</sub> = 5.25 V, Core CLK = 1.57 MHz
DV <sub>DD</sub> Current	15	mA max	DV <sub>DD</sub> = 4.75 V to 5.25 V, Core CLK = 12.58 MHz
	8	mA max	DV <sub>DD</sub> = 2.7 V to 3.6 V, Core CLK = 12.58 MHz
AV <sub>DD</sub> Current	170	µA max	AV <sub>DD</sub> = 5.25 V, Core CLK = 12.58 MHz
Power Supply Currents Idle Mode <sup>16, 17</sup>			
DV <sub>DD</sub> Current	1.2	mA max	DV <sub>DD</sub> = 4.75 V to 5.25 V, Core CLK = 1.57 MHz
	750	µA typ	DV <sub>DD</sub> = 2.7 V to 3.6 V, Core CLK = 1.57 MHz
AV <sub>DD</sub> Current	140	µA typ	Measured @ AV <sub>DD</sub> = 5.25 V, Core CLK = 1.57 MHz
DV <sub>DD</sub> Current	2	mA typ	DV <sub>DD</sub> = 4.75 V to 5.25 V, Core CLK = 12.58 MHz
	1	mA typ	DV <sub>DD</sub> = 2.7 V to 3.6 V, Core CLK = 12.58 MHz
AV <sub>DD</sub> Current	140	µA typ	Measured at AV <sub>DD</sub> = 5.25 V, Core CLK = 12.58 MHz
Power Supply Currents Power-Down Mode <sup>16, 17</sup>			
DV <sub>DD</sub> Current	50	µA max	Core CLK = 1.57 MHz or 12.58 MHz
	20	µA max	DV <sub>DD</sub> = 4.75 V to 5.25 V, Osc. On, TIC On
		µA max	DV <sub>DD</sub> = 2.7 V to 3.6 V, Osc. On, TIC On
AV <sub>DD</sub> Current	1	µA max	Measured at AV <sub>DD</sub> = 5.25 V, Osc. On or Osc. Off
DV <sub>DD</sub> Current	20	µA max	DV <sub>DD</sub> = 4.75 V to 5.25 V, Osc. Off
	5	µA typ	DV <sub>DD</sub> = 2.7 V to 3.6 V, Osc. Off
Typical Additional Power Supply Currents (AI <sub>DD</sub> and DI <sub>DD</sub> )			
PSM Peripheral	50	µA typ	Core CLK = 1.57 MHz, AV <sub>DD</sub> = DV <sub>DD</sub> = 5 V
Primary ADC	1	mA typ	
Auxiliary ADC	500	µA typ	
DAC	150	µA typ	
Dual Current Sources	400	µA typ	

## NOTES

- <sup>1</sup>Temperature Range -40°C to +85°C.
- <sup>2</sup>These numbers are not production tested but are guaranteed by Design and/or Characterization data on production release.
- <sup>3</sup>The primary ADC is factory-calibrated at 25°C with AV<sub>DD</sub> = DV<sub>DD</sub> = 5 V yielding this full-scale error. If user power supply or temperature conditions are significantly different from these, an Internal Full-Scale Calibration will restore this error to this level.
- <sup>4</sup>Gain Error Drift is a span drift. To calculate Full-Scale Error Drift, add the Offset Error Drift to the Gain Error Drift times the full-scale input.
- <sup>5</sup>The auxiliary ADC is factory-calibrated at 25°C with AV<sub>DD</sub> = DV<sub>DD</sub> = 5 V yielding this full-scale error of -2.5 LSB. A system zero-scale and full-scale calibration will remove this error altogether.
- <sup>6</sup>DAC linearity and AC Specifications are calculated using:  
reduced code range of 48 to 4095, 0 to V<sub>REF</sub>  
reduced code range of 48 to 3995, 0 to V<sub>DD</sub>.
- <sup>7</sup>Gain Error is a measure of the span error of the DAC.
- <sup>8</sup>In general terms, the bipolar input voltage range to the primary ADC is given by Range<sub>ADC</sub> = ±(V<sub>REF</sub> 2<sup>RN</sup>)/125, where:  
V<sub>REF</sub> = REFIN(+) to REFIN(-) voltage and V<sub>REF</sub> = 1.25 V when internal ADC V<sub>REF</sub> is selected.  
RN = decimal equivalent of RN2, RN1, RN0, e.g., V<sub>REF</sub> = 2.5 V and RN2, RN1, RN0 = 1, 1, 0 the Range<sub>ADC</sub> = ±1.28 V.  
In unipolar mode the effective range is 0 V to 1.28 V in our example.
- <sup>9</sup>1.25 V is used as the reference voltage to the ADC when internal V<sub>REF</sub> is selected via XREF0 and XREF1 bits in ADC0CON and ADC1CON respectively.
- <sup>10</sup>In bipolar mode, the Auxiliary ADC can only be driven to a minimum of A<sub>GND</sub> - 30 mV as indicated by the Auxiliary ADC absolute AIN voltage limits. The bipolar range is still -V<sub>REF</sub> to +V<sub>REF</sub>; however, the negative voltage is limited to -30 mV.
- <sup>11</sup>Pins configured in I<sup>2</sup>C-compatible mode or SPI mode, pins configured as digital inputs during this test.
- <sup>12</sup>Pins configured in I<sup>2</sup>C-compatible mode only.
- <sup>13</sup>Flash/EE Memory Reliability Characteristics apply to both the Flash/EE program memory and Flash/EE data memory.
- <sup>14</sup>Endurance is qualified to 100 Kcycles as per JEDEC Std. 22 method A117 and measured at -40°C, +25°C and +85°C, typical endurance at 25°C is 700 Kcycles.
- <sup>15</sup>Retention lifetime equivalent at junction temperature (T<sub>J</sub>) = 55°C as per JEDEC Std. 22, Method A117. Retention lifetime based on an activation energy of 0.6eV will derate with junction temperature as shown in Figure 27 in the Flash/EE Memory description section of this data sheet.
- <sup>16</sup>Power Supply current consumption is measured in Normal, Idle, and Power-Down Modes under the following conditions:  
Normal Mode: Reset = 0.4 V, Digital I/O pins = open circuit, Core Clk changed via CD bits in PLLCON, Core Executing internal software loop.  
Idle Mode: Reset = 0.4 V, Digital I/O pins = open circuit, Core Clk changed via CD bits in PLLCON, PCON.0 = 1, Core Execution suspended in idle mode.  
Power-Down Mode: Reset = 0.4 V, All P0 pins and P1.2-P1.7 pins = 0.4 V, All other digital I/O pins are open circuit, Core Clk changed via CD bits in PLLCON, PCON.1 = 1, Core Execution suspended in power-down mode, OSC turned ON or OFF via OSC\_PD bit (PLLCON.7) in PLLCON SFR.
- <sup>17</sup>DV<sub>DD</sub> power supply current will typically increase by 3 mA (3 V operation) and 10 mA (5 V operation) during a Flash/EE memory program or erase cycle.
- Specifications subject to change without notice

# ADuC816

## TIMING SPECIFICATIONS<sup>1, 2, 3</sup> ( $V_{DD} = 2.7\text{ V to }3.6\text{ V or }4.75\text{ V to }5.25\text{ V}$ , $DV_{DD} = 2.7\text{ V to }3.6\text{ V or }4.75\text{ V to }5.25\text{ V}$ ; all specifications $T_{MIN}$ to $T_{MAX}$ unless otherwise noted.)

Parameter	32.768 kHz External Crystal			Unit	Figure
	Min	Typ	Max		
CLOCK INPUT (External Clock Driven XTAL1)					
$t_{CK}$	XTAL1 Period		30.52	$\mu\text{s}$	1
$t_{CKL}$	XTAL1 Width Low		15.16	$\mu\text{s}$	1
$t_{CKH}$	XTAL1 Width High		15.16	$\mu\text{s}$	1
$t_{CKR}$	XTAL1 Rise Time		20	ns	1
$t_{CKF}$	XTAL1 Fall Time		20	ns	1
$1/t_{CORE}$	ADuC816 Core Clock Frequency <sup>4</sup>		0.098	MHz	
$t_{CORE}$	ADuC816 Core Clock Period <sup>5</sup>		0.636	$\mu\text{s}$	
$t_{CYC}$	ADuC816 Machine Cycle Time <sup>6</sup>		7.6	$\mu\text{s}$	

### NOTES

<sup>1</sup>AC inputs during testing are driven at  $DV_{DD} - 0.5\text{ V}$  for a Logic 1, and  $0.45\text{ V}$  for a Logic 0. Timing measurements are made at  $V_{IH\text{ min}}$  for a Logic 1, and  $V_{IL\text{ max}}$  for a Logic 0 as shown in Figure 2.

<sup>2</sup>For timing purposes, a port pin is no longer floating when a  $100\text{ mV}$  change from load voltage occurs. A port pin begins to float when a  $100\text{ mV}$  change from the loaded  $V_{OH}/V_{OL}$  level occurs as shown in Figure 2.

<sup>3</sup> $C_{LOAD}$  for Port0, ALE,  $\overline{PSEN}$  outputs =  $100\text{ pF}$ ;  $C_{LOAD}$  for all other outputs =  $80\text{ pF}$  unless otherwise noted.

<sup>4</sup>ADuC816 internal PLL locks onto a multiple (384 times) the external crystal frequency of  $32.768\text{ kHz}$  to provide a Stable  $12.583\text{ MHz}$  internal clock for the system. The core can operate at this frequency or at a binary submultiple called Core\_Clk, selected via the PLLCON SFR.

<sup>5</sup>This number is measured at the default Core\_Clk operating frequency of  $1.57\text{ MHz}$ .

<sup>6</sup>ADuC816 Machine Cycle Time is nominally defined as  $12/\text{Core\_CLK}$ .

Specifications subject to change without notice.

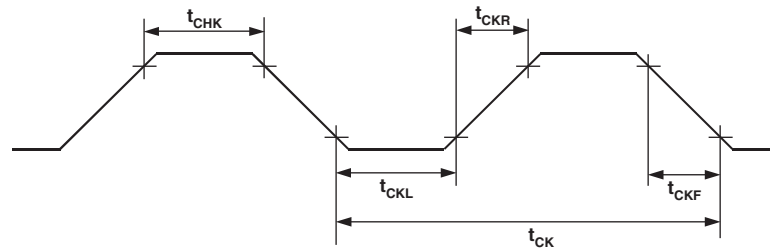


Figure 1. XTAL1 Input

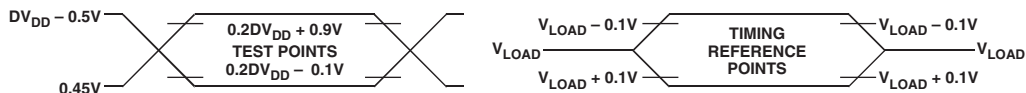


Figure 2. Timing Waveform Characteristics



Parameter	12.58 MHz Core_Clk		Variable Core_Clk		Unit	Figure	
	Min	Max	Min	Max			
<b>EXTERNAL PROGRAM MEMORY</b>							
$t_{LHLL}$	ALE Pulsewidth	119		$2t_{CORE} - 40$	ns	3	
$t_{AVLL}$	Address Valid to ALE Low	39		$t_{CORE} - 40$	ns	3	
$t_{LLAX}$	Address Hold after ALE Low	49		$t_{CORE} - 30$	ns	3	
$t_{LLIV}$	ALE Low to Valid Instruction In		218		$4t_{CORE} - 100$	ns	3
$t_{LLPL}$	ALE Low to $\overline{PSEN}$ Low	49		$t_{CORE} - 30$	ns	3	
$t_{PLPH}$	$\overline{PSEN}$ Pulsewidth	193		$3t_{CORE} - 45$	ns	3	
$t_{PLIV}$	$\overline{PSEN}$ Low to Valid Instruction In		133		$3t_{CORE} - 105$	ns	3
$t_{PXIX}$	Input Instruction Hold after $\overline{PSEN}$	0		0	ns	3	
$t_{PXIZ}$	Input Instruction Float after $\overline{PSEN}$		54		$t_{CORE} - 25$	ns	3
$t_{AVIV}$	Address to Valid Instruction In		292		$5t_{CORE} - 105$	ns	3
$t_{PLAZ}$	$\overline{PSEN}$ Low to Address Float		25		25	ns	3
$t_{PHAX}$	Address Hold after $\overline{PSEN}$ High	0		0	ns	3	

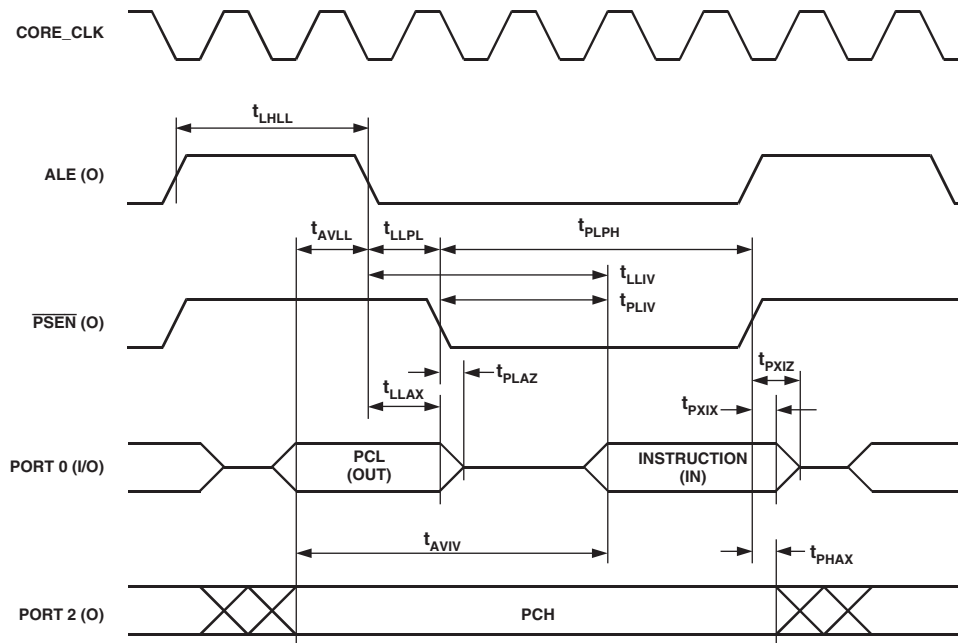


Figure 3. External Program Memory Read Cycle

# ADuC816

Parameter	12.58 MHz Core_Clk		Variable Core_Clk		Unit	Figure
	Min	Max	Min	Max		
<b>EXTERNAL DATA MEMORY READ CYCLE</b>						
$t_{RLRH}$	$\overline{RD}$ Pulsewidth	377		$6t_{CORE} - 100$	ns	4
$t_{AVLL}$	Address Valid after ALE Low	39		$t_{CORE} - 40$	ns	4
$t_{LLAX}$	Address Hold after ALE Low	44		$t_{CORE} - 35$	ns	4
$t_{RLDV}$	$\overline{RD}$ Low to Valid Data In		232		$5t_{CORE} - 165$	ns
$t_{RHDX}$	Data and Address Hold after $\overline{RD}$	0		0		ns
$t_{RHDZ}$	Data Float after $\overline{RD}$		89		$2t_{CORE} - 70$	ns
$t_{LLDV}$	ALE Low to Valid Data In		486		$8t_{CORE} - 150$	ns
$t_{AVDV}$	Address to Valid Data In		550		$9t_{CORE} - 165$	ns
$t_{LLWL}$	ALE Low to $\overline{RD}$ Low	188	288	$3t_{CORE} - 50$	$3t_{CORE} + 50$	ns
$t_{AVWL}$	Address Valid to $\overline{RD}$ Low	188		$4t_{CORE} - 130$		ns
$t_{RLAZ}$	$\overline{RD}$ Low to Address Float		0		0	ns
$t_{WHLH}$	$\overline{RD}$ High to ALE High	39	119	$t_{CORE} - 40$	$t_{CORE} + 40$	ns

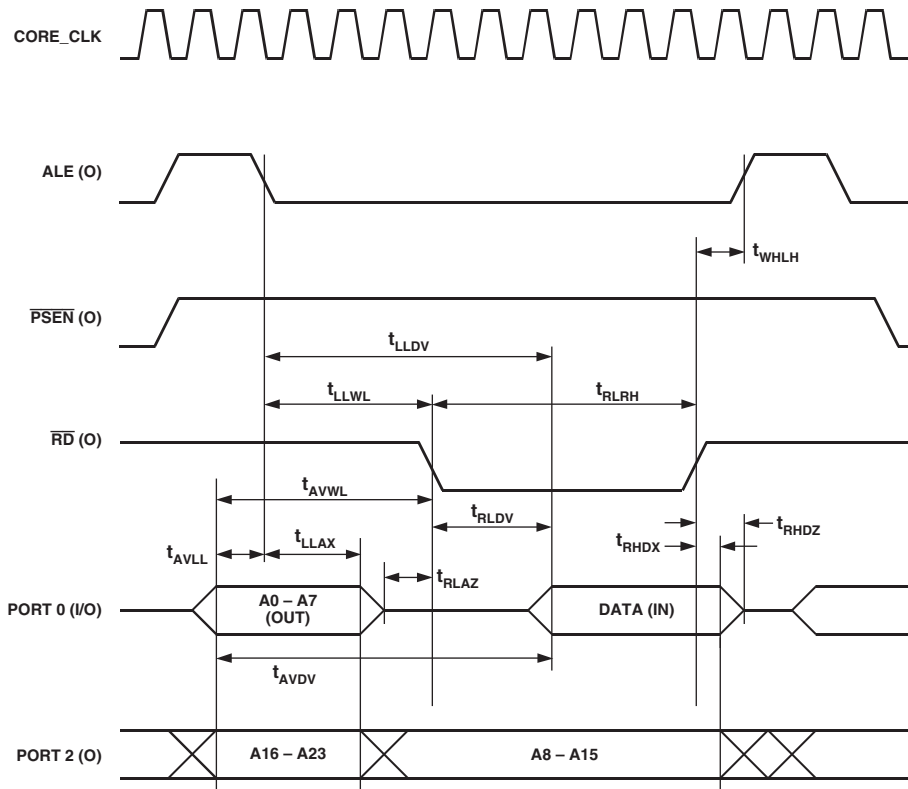


Figure 4. External Data Memory Read Cycle

Parameter	12.58 MHz Core_Clk		Variable Core_Clk		Unit	Figure
	Min	Max	Min	Max		
<b>EXTERNAL DATA MEMORY WRITE CYCLE</b>						
$t_{WLWH}$	$\overline{WR}$ Pulsewidth		$6t_{CORE} - 100$		ns	5
$t_{AVLL}$	Address Valid after ALE Low		$t_{CORE} - 40$		ns	5
$t_{LLAX}$	Address Hold after ALE Low		$t_{CORE} - 35$		ns	5
$t_{LLWL}$	ALE Low to $\overline{WR}$ Low		$3t_{CORE} - 50$	$3t_{CORE} + 50$	ns	5
$t_{AVWL}$	Address Valid to $\overline{WR}$ Low		$4t_{CORE} - 130$		ns	5
$t_{QVWX}$	Data Valid to $\overline{WR}$ Transition		$t_{CORE} - 50$		ns	5
$t_{QVWH}$	Data Setup before $\overline{WR}$		$7t_{CORE} - 150$		ns	5
$t_{WHQX}$	Data and Address Hold after $\overline{WR}$		$t_{CORE} - 50$		ns	5
$t_{WHLH}$	$\overline{WR}$ High to ALE High		$t_{CORE} - 40$	$t_{CORE} + 40$	ns	5

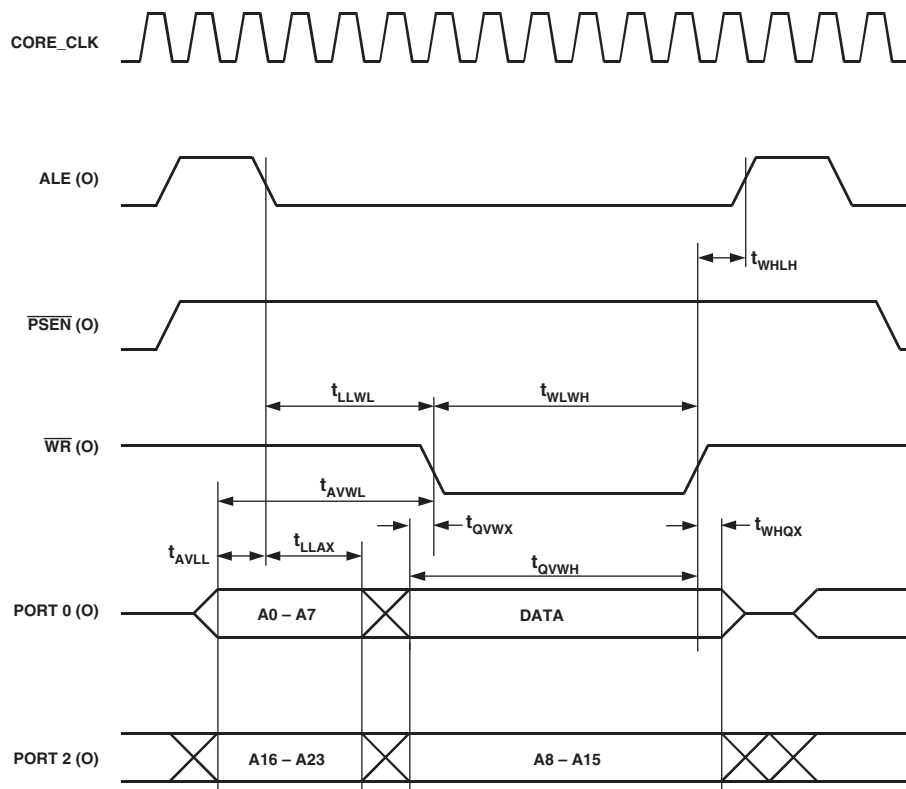


Figure 5. External Data Memory Write Cycle

# ADuC816

Parameter	12.58 MHz Core_Clk			Variable Core_Clk			Unit	Figure
	Min	Typ	Max	Min	Typ	Max		
UART TIMING (Shift Register Mode)								
$t_{XLXL}$		0.95			$2t_{CORE}$		$\mu s$	6
$t_{QVXH}$	662			$10t_{CORE} - 133$			ns	6
$t_{DVXH}$	292			$2t_{CORE} + 133$			ns	6
$t_{XHDX}$	0			0			ns	6
$t_{XHGX}$	42			$2t_{CORE} - 117$			ns	6

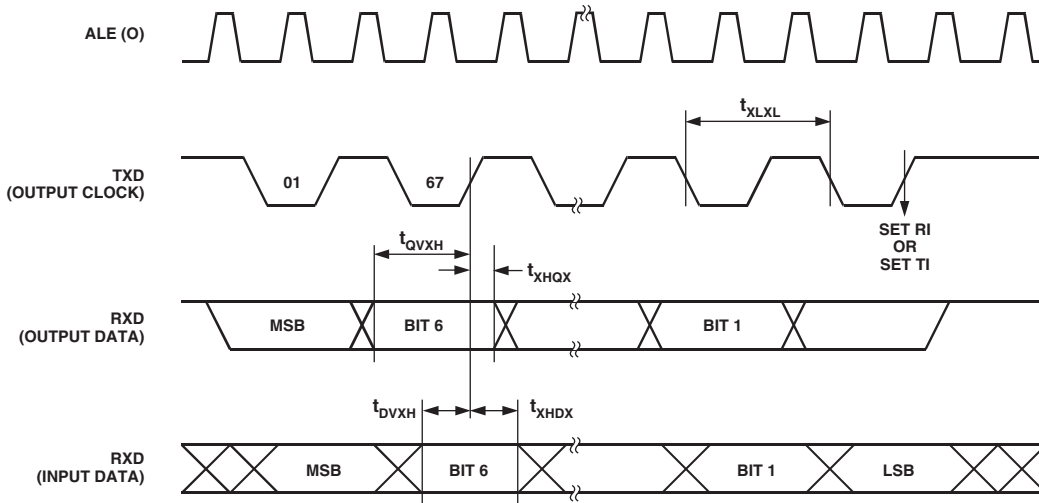


Figure 6. UART Timing in Shift Register Mode

Parameter	Min	Max	Unit	Figure
<b>I<sup>2</sup>C-COMPATIBLE INTERFACE TIMING</b>				
$t_L$	4.7		$\mu$ s	7
$t_H$	4.0		$\mu$ s	7
$t_{SHD}$	0.6		$\mu$ s	7
$t_{DSU}$	100		$\mu$ s	7
$t_{DHD}$		0.9	$\mu$ s	7
$t_{RSU}$	0.6		$\mu$ s	7
$t_{PSU}$	0.6		$\mu$ s	7
$t_{BUF}$	1.3		$\mu$ s	7
$t_R$		300	ns	7
$t_F$		300	ns	7
$t_{SUP}^*$		50	ns	7

\*Input filtering on both the SCLOCK and SDATA inputs suppresses noise spikes less than 50 ns.

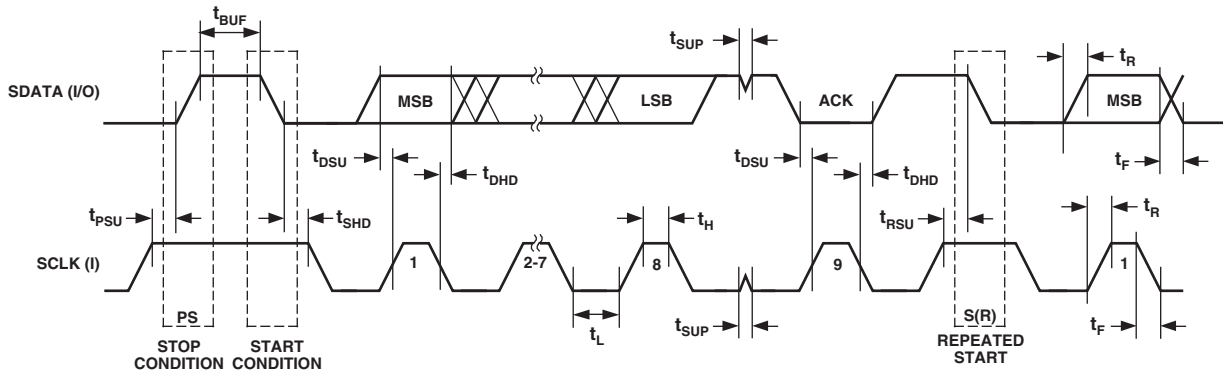


Figure 7. I<sup>2</sup>C-Compatible Interface Timing

# ADuC816

Parameter	Min	Typ	Max	Unit	Figure
<b>SPI MASTER MODE TIMING (CPHA = 1)</b>					
$t_{SL}$		630		ns	8
$t_{SH}$		630		ns	8
$t_{DAV}$			50	ns	8
$t_{DSU}$	100			ns	8
$t_{DHD}$	100			ns	8
$t_{DF}$		10	25	ns	8
$t_{DR}$		10	25	ns	8
$t_{SR}$		10	25	ns	8
$t_{SF}$		10	25	ns	8

\*Characterized under the following conditions:

- a. Core clock divider bits CD2, CD1, and CD0 bits in PLLCON SFR set to 0, 1, and 1 respectively, i.e., core clock frequency = 1.57 MHz and
- b. SPI bit-rate selection bits SPR1 and SPR0 bits in SPICON SFR set to 0 and 0 respectively.

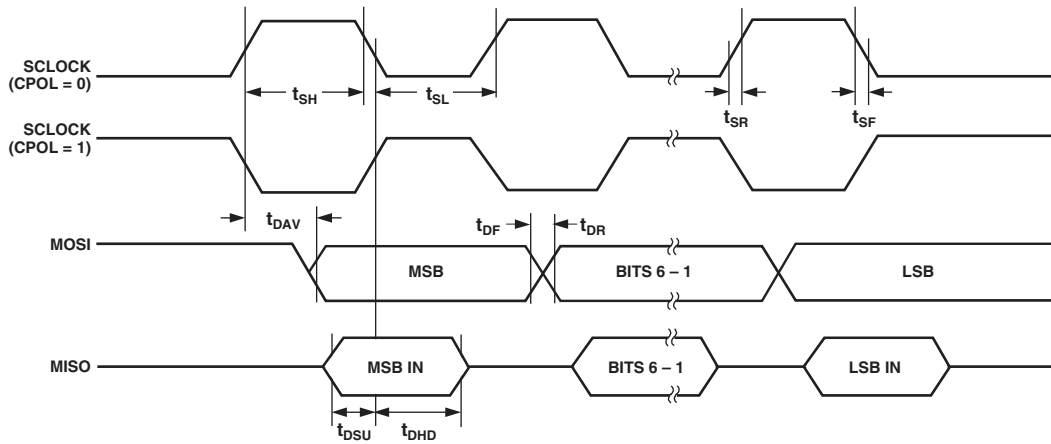


Figure 8. SPI Master Mode Timing (CPHA = 1)

Parameter	Min	Typ	Max	Unit	Figure
<b>SPI MASTER MODE TIMING (CPHA = 0)</b>					
$t_{SL}$		630		ns	9
$t_{SH}$		630		ns	9
$t_{DAV}$			50	ns	9
$t_{DOSU}$			150	ns	9
$t_{DSU}$	100			ns	9
$t_{DHD}$	100			ns	9
$t_{DF}$		10	25	ns	9
$t_{DR}$		10	25	ns	9
$t_{SR}$		10	25	ns	9
$t_{SF}$		10	25	ns	9

\*Characterized under the following conditions:

- Core clock divider bits CD2, CD1 and CD0 bits in PLLCON SFR set to 0, 1, and 1 respectively, i.e., core clock frequency = 1.57 MHz and
- SPI bit-rate selection bits SPR1 and SPR0 bits in SPICON SFR set to 0 and 0 respectively.

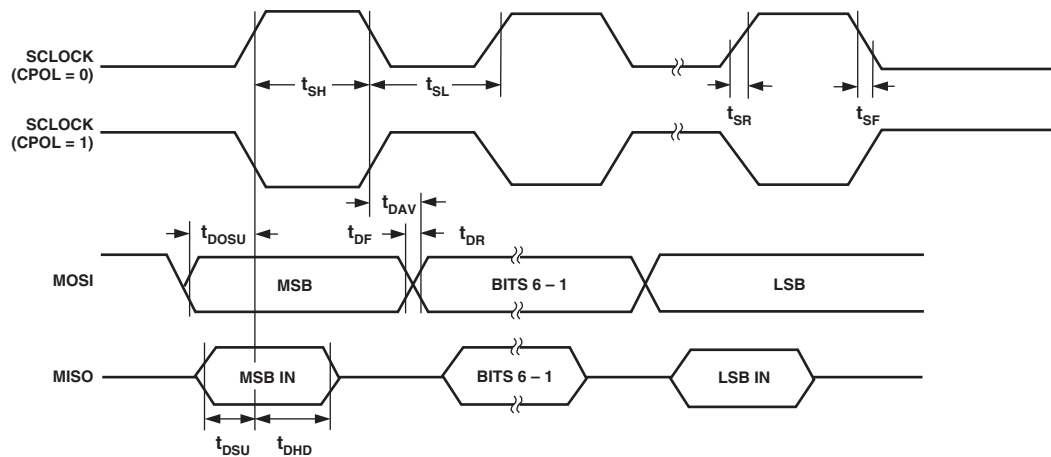


Figure 9. SPI Master Mode Timing (CPHA = 0)

# ADuC816

Parameter	Min	Typ	Max	Unit	Figure
<b>SPI SLAVE MODE TIMING (CPHA = 1)</b>					
$t_{SS}$	0			ns	10
$t_{SL}$		330		ns	10
$t_{SH}$		330		ns	10
$t_{DAV}$			50	ns	10
$t_{DSU}$	100			ns	10
$t_{DHD}$	100			ns	10
$t_{DF}$		10	25	ns	10
$t_{DR}$		10	25	ns	10
$t_{SR}$		10	25	ns	10
$t_{SF}$		10	25	ns	10
$t_{SFS}$	0			ns	10

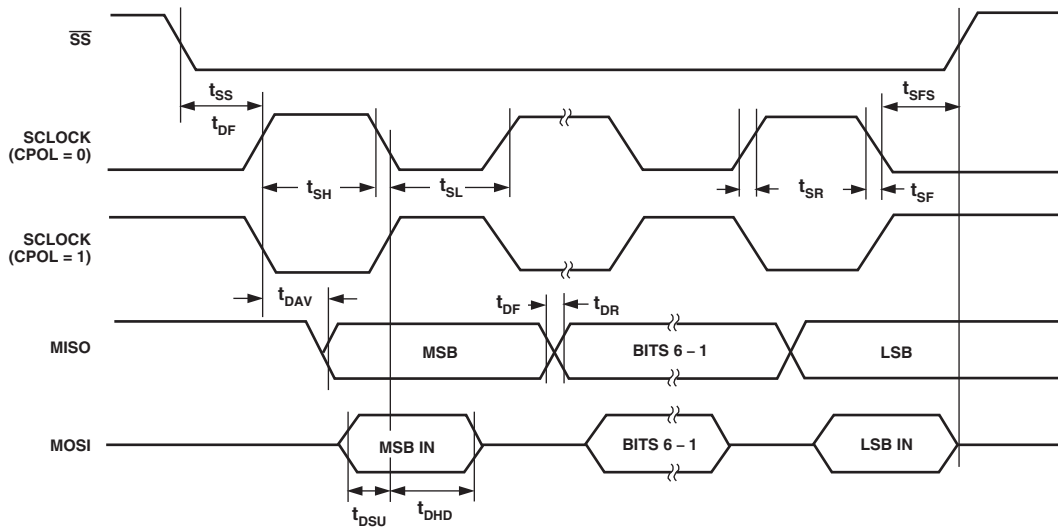


Figure 10. SPI Slave Mode Timing (CPHA = 1)



Parameter	Min	Typ	Max	Unit	Figure
<b>SPI SLAVE MODE TIMING (CPHA = 0)</b>					
$t_{SS}$	0			ns	11
$t_{SL}$		330		ns	11
$t_{SH}$		330		ns	11
$t_{DAV}$			50	ns	11
$t_{DSU}$	100			ns	11
$t_{DHD}$	100			ns	11
$t_{DF}$		10	25	ns	11
$t_{DR}$		10	25	ns	11
$t_{SR}$		10	25	ns	11
$t_{SF}$		10	25	ns	11
$t_{SSR}$			50	ns	11
$t_{DOSS}$			20	ns	11
$t_{SFS}$	0			ns	11

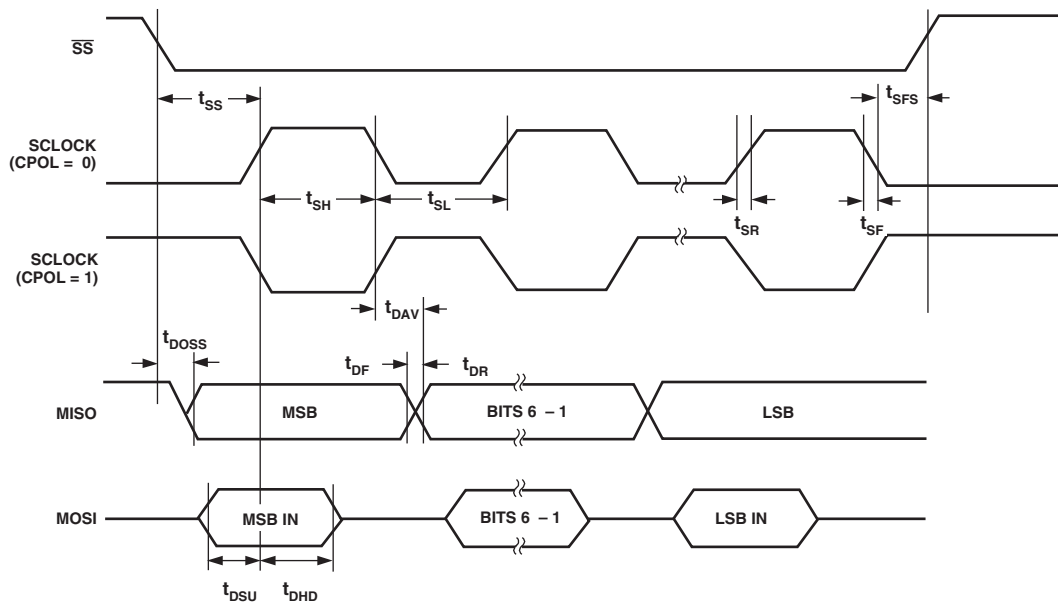


Figure 11. SPI Slave Mode Timing (CPHA = 0)

## ABSOLUTE MAXIMUM RATINGS

( $T_A = 25^\circ\text{C}$  unless otherwise noted)

Parameter	Ratings
$AV_{DD}$ to AGND	-0.3 V to +7 V
$AV_{DD}$ to DGND	-0.3 V to +7 V
$DV_{DD}$ to AGND	-0.3 V to +7 V
$DV_{DD}$ to DGND	-0.3 V to +7 V
AGND to DGND <sup>1</sup>	-0.3 V to +0.3 V
$AV_{DD}$ to $DV_{DD}$	-2 V to +5 V
Analog Input Voltage to AGND <sup>2</sup>	-0.3 V to $AV_{DD} + 0.3$ V
Reference Input Voltage to AGND	-0.3 V to $AV_{DD} + 0.3$ V
AIN/REFIN Current (Indefinite)	30 mA
Digital Input Voltage to DGND	-0.3 V to $DV_{DD} + 0.3$ V
Digital Output Voltage to DGND	-0.3 V to $DV_{DD} + 0.3$ V
Operating Temperature Range	-40°C to +85°C
Storage Temperature Range	-65°C to +150°C
Junction Temperature	150°C
$\theta_{JA}$ Thermal Impedance (MQFP)	90°C/W
$\theta_{JA}$ Thermal Impedance (LFCSP Base Floating)	52°C/W
Lead Temperature, Soldering	
Vapor Phase (60 sec)	215°C
Infrared (15 sec)	220°C

<sup>1</sup> AGND and DGND are shorted internally on the ADuC816.

<sup>2</sup> Applies to P1.2 to P1.7 pins operating in analog or digital input modes.

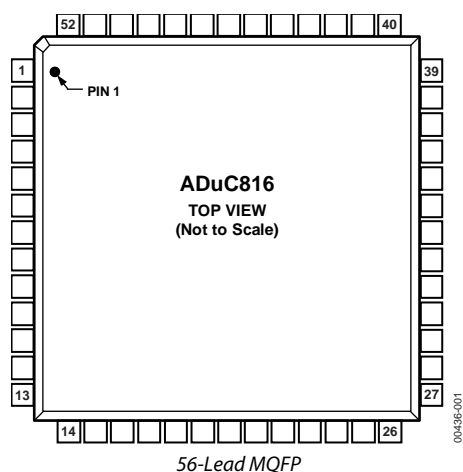
Stresses above those listed under Absolute Maximum Ratings may cause permanent damage to the device. This is a stress rating only; functional operation of the device at these or any other conditions above those listed in the operational sections of this specification is not implied. Exposure to absolute maximum rating conditions for extended periods may affect device reliability.

### ESD CAUTION

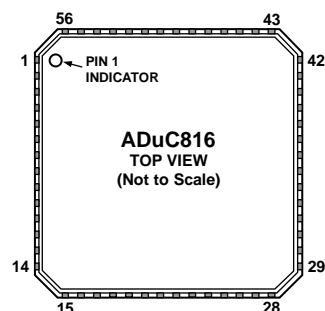
ESD (electrostatic discharge) sensitive device. Electrostatic charges as high as 4000 V readily accumulate on the human body and test equipment and can discharge without detection. Although this product features proprietary ESD protection circuitry, permanent damage may occur on devices subjected to high energy electrostatic discharges. Therefore, proper ESD precautions are recommended to avoid performance degradation or loss of functionality.



## PIN FUNCTION DESCRIPTIONS



56-Lead MQFP



NOTES  
1. THE EXPOSED PADDLE MUST BE LEFT UNCONNECTED.

56-Lead LFCSP

## PIN FUNCTION DESCRIPTIONS

Pin No. 52-Lead MQFP	Pin No. 56-Lead CSP	Mnemonic	Type <sup>1</sup>	Description
1, 2	56, 1	P1.0/P1.1	I/O	P1.0 and P1.1 can function as digital inputs or digital outputs and have a pull-up configuration as described for Port 3. P1.0 and P1.1 have an increased current drive sink capability of 10 mA.
		P1.0/T2	I/O	P1.0 and P1.1 also have various secondary functions as described below. P1.0 can be used to provide a clock input to Timer 2. When enabled, Counter 2 is incremented in response to a negative transition on the T2 input pin.
		P1.1/T2EX	I/O	P1.1 can also be used to provide a control input to Timer 2. When enabled, a negative transition on the T2EX input pin will cause a Timer 2 capture or reload event.
3–4,	2–3,	P1.2–P1.7	I	Port 1.2 to Port 1.7 have no digital output driver; they can function as a digital input
9–12	11–14	P1.2/DAC/IEXC1	I/O	for which 0 must be written to the port bit. As a digital input, these pins must be driven high or low externally. These pins also have the following analog functionality: The voltage output from the DAC or one or both current sources (200 $\mu$ A or 2 $\times$ 200 $\mu$ A) can be configured to appear at this pin.
		P1.3/AIN5/IEXC2	I/O	Auxiliary ADC input or one or both current sources can be configured at this pin.
		P1.4/AIN1	I	Primary ADC, Positive Analog Input
		P1.5/AIN2	I	Primary ADC, Negative Analog Input
		P1.6/AIN3	I	Auxiliary ADC Input or Muxed Primary ADC, Positive Analog Input
		P1.7/AIN4/DAC	I/O	Auxiliary ADC Input or Muxed Primary ADC, Negative Analog Input. The voltage output from the DAC can also be configured to appear at this pin.
5	4, 5	AV <sub>DD</sub>	S	Analog Supply Voltage, 3 V or 5 V
6	6, 7, 8	AGND	S	Analog Ground. Ground reference pin for the analog circuitry.
7	9	REFIN(-)	I	Reference Input, Negative Terminal
8	10	REFIN(+)	I	Reference Input, Positive Terminal
13	15	SS	I	Slave Select Input for the SPI Interface. A weak pull-up is present on this pin.
14	16	MISO	I/O	Master Input/Slave Output for the SPI Interface. A weak pull-up is present on this input pin
15	17	RESET	I	Reset Input. A high level on this pin for 16 core clock cycles while the oscillator is running resets the device. There is an internal weak pull-down and a Schmitt trigger input stage on this pin.
16–19,	18–21,	P3.0–P3.7	I/O	P3.0–P3.7 are bidirectional port pins with internal pull-up resistors. Port 3 pins that
22–25	24–27	P3.0/RXD	I/O	have 1s written to them are pulled high by the internal pull-up resistors, and in that state can be used as inputs. As inputs, Port 3 pins being pulled externally low will source current because of the internal pull-up resistors. When driving a 0-to-1 output transition, a strong pull-up is active for two core clock periods of the instruction cycle. Port 3 pins also have various secondary functions including: Receiver Data for UART Serial Port
		P3.1/TXD	I/O	Transmitter Data for UART Serial Port
		P3.2/ $\overline{\text{INT0}}$	I/O	External Interrupt 0. This pin can also be used as a gate control input to Timer 0.
		P3.3/ $\overline{\text{INT1}}$	I/O	External Interrupt 1. This pin can also be used as a gate control input to Timer 1.
		P3.4/T0	I/O	Timer/Counter 0 External Input.
		P3.5/T1	I/O	Timer/Counter 1 External Input
		P3.6/ $\overline{\text{WR}}$	I/O	External Data Memory Write Strobe. Latches the data byte from Port 0 into an external data memory.
		P3.7/ $\overline{\text{RD}}$	I/O	External Data Memory Read Strobe. Enables the data from an external data memory to Port 0.

# ADuC816

Pin No. 52-Lead MQFP	Pin No. 56-Lead CSP	Mnemonic	Type <sup>1</sup>	Description
20, 34, 48	22, 36, 51,	DV <sub>DD</sub>	S	Digital Supply, 3 V or 5 V
21, 35, 47	23, 37, 38, 50	DGND	S	Digital Ground. Ground reference point for the digital circuitry.
26		SCLOCK	I/O	Serial Interface Clock for either the I <sup>2</sup> C or SPI Interface. As an input, this pin is a Schmitt-triggered input, and a weak internal pull-up is present on this pin unless it is outputting logic low. This pin can also be directly controlled in software as a digital output pin.
27		MOSI/SDATA	I/O	Serial Data I/O for the I <sup>2</sup> C Interface or Master Output/Slave Input for the SPI Interface. A weak internal pull-up is present on this pin unless it is outputting logic low. This pin can also be directly controlled in software as a digital output pin.
28–31 36–39	30–33 39–42	P2.0–P2.7 (A8–A15) (A16–A23)	I/O	Port 2 is a bidirectional port with internal pull-up resistors. Port 2 pins that have 1s written to them are pulled high by the internal pull-up resistors, and in that state can be used as inputs. As inputs, Port 2 pins being pulled externally low will source current because of the internal pull-up resistors. Port 2 emits the high order address bytes during fetches from external program memory and middle and high order address bytes during accesses to the 24-bit external data memory space.
32	34	XTAL1	I	Input to the Crystal Oscillator Inverter
33	35	XTAL2	O	Output from the Crystal Oscillator Inverter. (See the ADuC816 Hardware Design Considerations section for description.)
40	43	$\overline{EA}$	I/O	External Access Enable, Logic Input. When held high, this input enables the device to fetch code from internal program memory locations 0000h to F7FFh. When held low, this input enables the device to fetch all instructions from external program memory. To determine the mode of code execution, i.e., internal or external, the $\overline{EA}$ pin is sampled at the end of an external RESET assertion or as part of a device power cycle. $\overline{EA}$ may also be used as an external emulation I/O pin, and therefore the voltage level at this pin must not be changed during normal mode operation as it may cause an emulation interrupt that will halt code execution.
41	44	$\overline{PSEN}$	O	Program Store Enable, Logic Output. This output is a control signal that enables the external program memory to the bus during external fetch operations. It is active every six oscillator periods except during external data memory accesses. This pin remains high during internal program execution. $\overline{PSEN}$ can also be used to enable Serial Download mode when pulled low through a resistor at the end of an external RESET assertion or as part of a device power cycle.
42	45	ALE	O	Address Latch Enable, Logic Output. This output is used to latch the low byte (and page byte for 24-bit data address space accesses) of the address to external memory during external code or data memory access cycles. It is activated every six oscillator periods except during an external data memory access. It can be disabled by setting the PCON.4 bit in the PCON SFR.
43–46 49–52	46–49 52–55	P0.0–P0.7 (AD0–AD3)	I/O	These pins are part of Port 0, which is an 8-bit, open-drain, bidirectional I/O port. Port 0 pins that have 1s written to them float and in that state can be used (AD4–AD7) as high impedance inputs. An external pull-up resistor will be required on P0 outputs to force a valid logic high level externally. Port 0 is also the multiplexed low order address and data bus during accesses to external program or data memory. In this application, it uses strong internal pull-ups when emitting 1s.

<sup>1</sup> I = Input, O = Output, S = Supply.

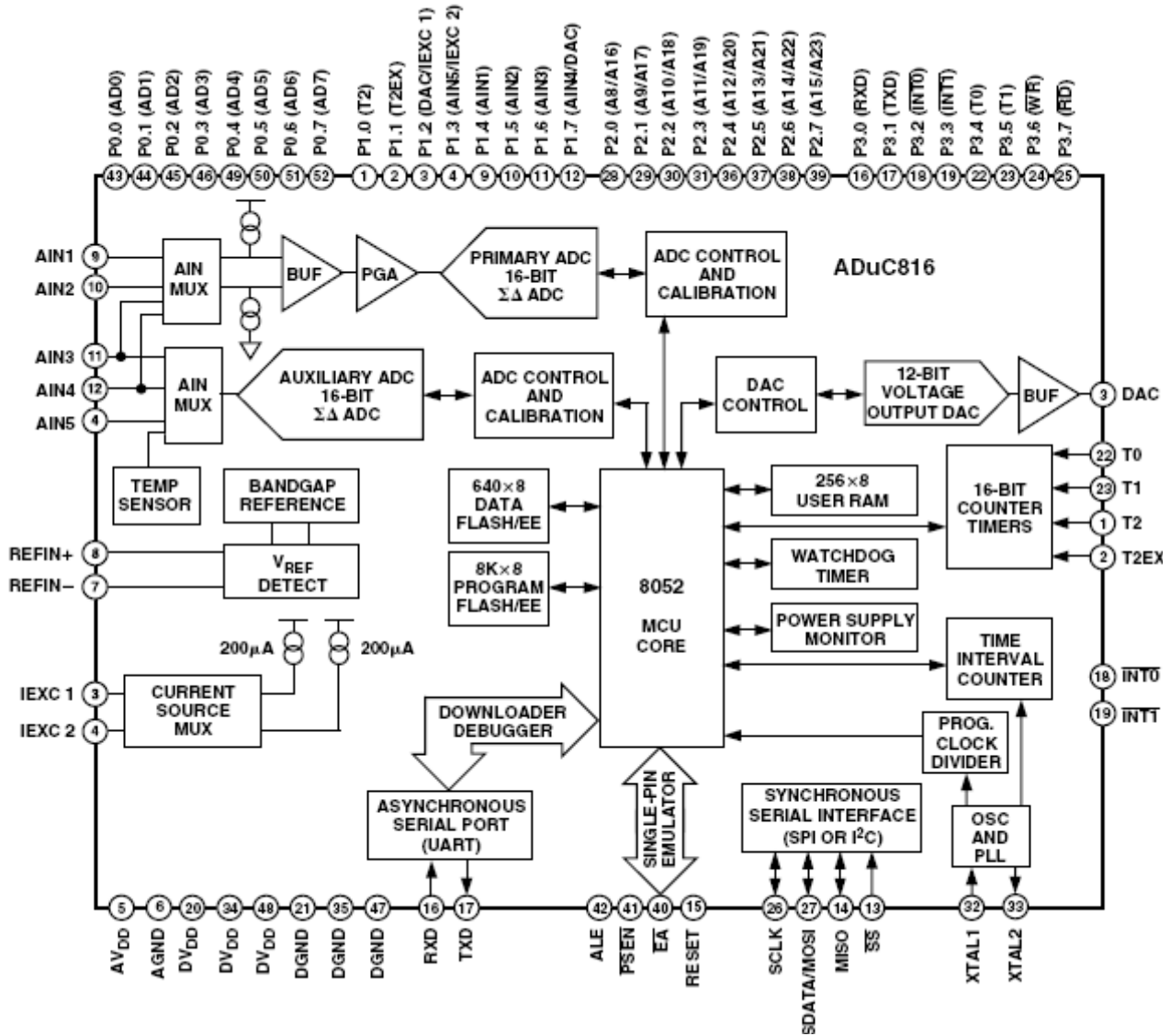


Figure 12.52-MQFP Block Diagram

# ADuC816

## MEMORY ORGANIZATION

As with all 8051-compatible devices, the ADuC816 has separate address spaces for Program and Data memory as shown in Figure 13 and Figure 14.

If the user applies power or resets the device while the  $\overline{EA}$  pin is pulled low, the part will execute code from the external program space, otherwise the part defaults to code execution from its internal 8 Kbyte Flash/EE program memory. This internal code space can be downloaded via the UART serial port while the device is in-circuit.

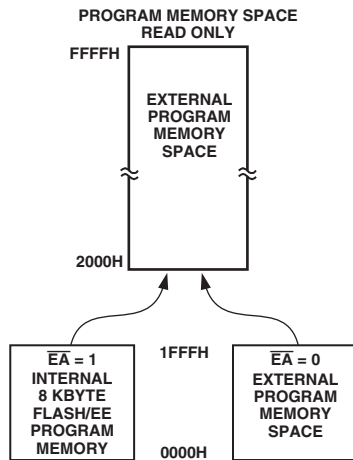


Figure 13. Program Memory Map

The data memory address space consists of internal and external memory space. The internal memory space is divided into four physically separate and distinct blocks, namely the lower 128 bytes of RAM, the upper 128 bytes of RAM, the 128 bytes of special function register (SFR) area, and a 640-byte Flash/EE Data memory. While the upper 128 bytes of RAM, and the SFR area share the same address locations, they are accessed through different address modes.

The lower 128 bytes of data memory can be accessed through direct or indirect addressing, the upper 128 bytes of RAM can be accessed through indirect addressing, and the SFR area is accessed through direct addressing.

Also, as shown in Figure 13, the additional 640 Bytes of Flash/EE Data Memory are available to the user and can be accessed indirectly via a group of control registers mapped into the Special Function Register (SFR) area. Access to the Flash/EE Data Memory is discussed in detail later as part of the Flash/EE Memory section in this data sheet.

The external data memory area can be expanded up to 16 MBytes. This is an enhancement of the 64 KByte external data memory space available on standard 8051-compatible cores.

The external data memory is discussed in more detail in the ADuC816 Hardware Design Considerations section.

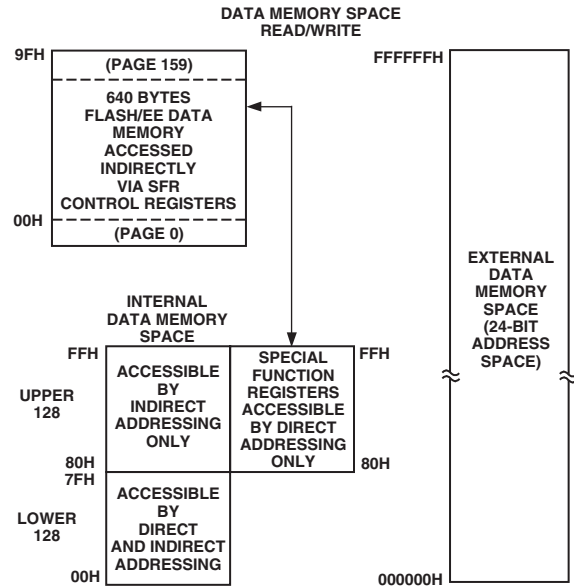


Figure 14. Data Memory Map

The lower 128 bytes of internal data memory are mapped as shown in Figure 15. The lowest 32 bytes are grouped into four banks of eight registers addressed as R0 through R7. The next 16 bytes (128 bits), locations 20Hex through 2FHex above the register banks, form a block of directly addressable bit locations at bit addresses 00H through 7FH. The stack can be located anywhere in the internal memory address space, and the stack depth can be expanded up to 256 bytes.

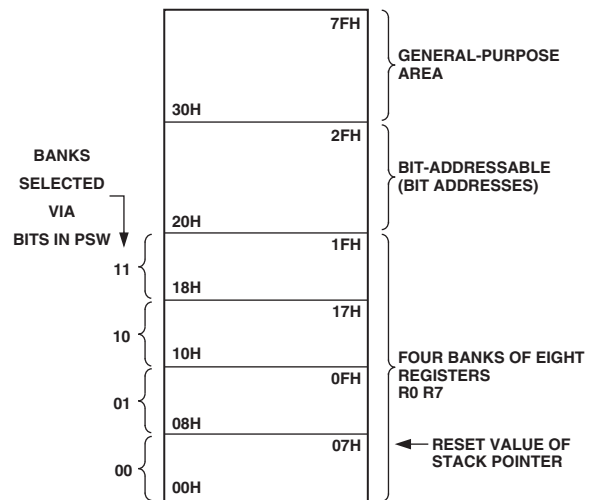


Figure 15. Lower 128 Bytes of Internal Data Memory

Reset initializes the stack pointer to location 07 hex and increments it once to start from locations 08 hex which is also the first register (R0) of register bank 1. Thus, if one is going to use more than one register bank, the stack pointer should be initialized to an area of RAM not used for data storage.

The SFR space is mapped to the upper 128 bytes of internal data memory space and accessed by direct addressing only. It provides an interface between the CPU and all on-chip peripherals. A block diagram showing the programming model of the ADuC816 via the SFR area is shown in Figure 16. A complete SFR map is shown in Figure 17.

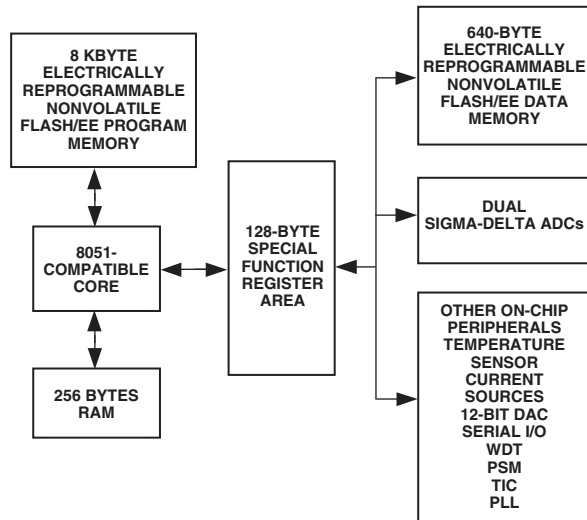


Figure 16. Programming Model

## OVERVIEW OF MCU-RELATED SFRS

### Accumulator SFR

ACC is the Accumulator register and is used for math operations including addition, subtraction, integer multiplication and division, and Boolean bit manipulations. The mnemonics for accumulator-specific instructions refer to the Accumulator as A.

### B SFR

The B register is used with the ACC for multiplication and division operations. For other instructions it can be treated as a general-purpose scratchpad register.

### Stack Pointer SFR

The SP register is the stack pointer and is used to hold an internal RAM address that is called the “top of the stack.” The SP register is incremented before data is stored during PUSH and CALL executions. While the Stack may reside anywhere in on-chip RAM, the SP register is initialized to 07H after a reset. This causes the stack to begin at location 08H.

### Data Pointer

The Data Pointer is made up of three 8-bit registers, named DPP (page byte), DPH (high byte) and DPL (low byte). These are used to provide memory addresses for internal and external code access and external data access. It may be manipulated as a 16-bit register (DPTR = DPH, DPL), although INC DPTR instructions will automatically carry over to DPP, or as three independent 8-bit registers (DPP, DPH, DPL).

### Program Status Word SFR

The PSW register is the Program Status Word which contains several bits reflecting the current status of the CPU as detailed in Table I.

SFR Address	D0H
Power ON Default Value	00H
Bit Addressable	Yes

<b>CY</b>	<b>AC</b>	<b>F0</b>	<b>RS1</b>	<b>RS0</b>	<b>OV</b>	<b>F1</b>	<b>P</b>
-----------	-----------	-----------	------------	------------	-----------	-----------	----------

Table I. PSW SFR Bit Designations

Bit	Name	Description
7	CY	Carry Flag
6	AC	Auxiliary Carry Flag
5	F0	General-Purpose Flag
4	RS1	Register Bank Select Bits
3	RS0	RS1    RS0    Selected Bank
		0    0    0
		0    1    1
		1    0    2
		1    1    3
2	OV	Overflow Flag
1	F1	General-Purpose Flag
0	P	Parity Bit

### Power Control SFR

The Power Control (PCON) register contains bits for power-saving options and general-purpose status flags as shown in Table II.

SFR Address	87H
Power ON Default Value	00H
Bit Addressable	No

<b>SMOD</b>	<b>SERIPD</b>	<b>INT0PD</b>	<b>ALEOFF</b>	<b>GF1</b>	<b>GF0</b>	<b>PD</b>	<b>IDL</b>
-------------	---------------	---------------	---------------	------------	------------	-----------	------------

Table II. PCON SFR Bit Designations

Bit	Name	Description
7	SMOD	Double UART Baud Rate
6	SERIPD	I <sup>2</sup> C/SPI Power-Down Interrupt Enable
5	INT0PD	INT0 Power-Down Interrupt Enable
4	ALEOFF	Disable ALE Output
3	GF1	General-Purpose Flag Bit
2	GF0	General-Purpose Flag Bit
1	PD	Power-Down Mode Enable
0	IDL	Idle Mode Enable

# ADuC816

## SPECIAL FUNCTION REGISTERS

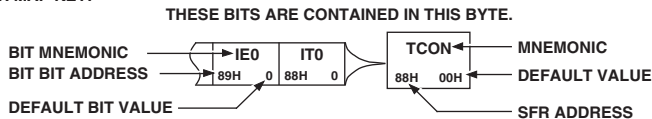
All registers except the program counter and the four general-purpose register banks, reside in the SFR area. The SFR registers include control, configuration, and data registers that provide an interface between the CPU and all on-chip peripherals.

Figure 17 shows a full SFR memory map and SFR contents on RESET; NOT USED indicates unoccupied SFR locations. Unoccupied locations in the SFR address space are not implemented; i.e., no register exists at this location. If an unoccupied location is read, an unspecified value is returned. SFR locations reserved for future use are shaded (RESERVED) and should not be accessed by user software.

ISPI FFH 0	WCOL FEH 0	SPE FDH 0	SPIM FCH 0	CPOL FBH 0	CPHA FAH 1	SPR1 F9H 0	SPR0 F8H 0	BITS	SPICON F8H 04H	RESERVED	RESERVED	DACL FBH 00H	DACH FCH 00H	DACCON FDH 00H	RESERVED	RESERVED
F7H 0	F6H 0	F5H 0	F4H 0	F3H 0	F2H 0	F1H 0	F0H 0	BITS	B F0H 00H	RESERVED	RESERVED	NOT USED	RESERVED	RESERVED	RESERVED	SPIDAT F7H 00H
MDO EFH 0	MDE EEH 0	MCO EDH 0	MDI ECH 0	I2CM EBH 0	I2CRS EAH 0	I2CTX E9H 0	I2CI E8H 0	BITS	I2CCON E8H 00H	RESERVED	GN0M* EAH 55H	GN0H* EBH 53H	GN1L* ECH 9AH	GN1H* EDH 59H	RESERVED	RESERVED
E7H 0	E6H 0	E5H 0	E4H 0	E3H 0	E2H 0	E1H 0	E0H 0	BITS	ACC E0H 00H	RESERVED	OF0M* E2H 00H	OF0H* E3H 80H	OF1L* E4H 00H	OF1H* E5H 80H	RESERVED	RESERVED
RDY0 DFH 0	RDY1 DEH 0	CAL DDH 0	NOXREF DCH 0	ERR0 DBH 0	ERR1 DAH 0	D9H 0	D8H 0	BITS	ADCSTAT D8H 00H	RESERVED	ADC0M DAH 00H	ADC0H DBH 00H	ADC1L DCH 00H	ADC1H DDH 00H	RESERVED	PSMCON DFH DEH
CY D7H 0	AC D6H 0	F0 D5H 0	RSI D4H 0	RS0 D3H 0	OV D2H 0	F1 D1H 0	P D0H 0	BITS	PSW D0H 00H	ADCMODE D1H 00H	ADC0CON D2H 07H	ADC1CON D3H 00H	SF D4H 45H	ICON D5H 00H	RESERVED	PLLCON D7H 03H
TF2 CFH 0	EXF2 CEH 0	RCLK CDH 0	TCLK CCH 0	EXEN2 CBH 0	TR2 CAH 0	CNT2 C9H 0	CAP2 C8H 0	BITS	T2CON C8H 00H	RESERVED	RCAP2L CAH 00H	RCAP2H CBH 00H	TL2 CCH 00H	TH2 CDH 00H	RESERVED	RESERVED
PRE3 C7H 0	PRE2 C6H 0	PRE1 C5H 0	PRE0 C4H 1	WDIR C3H 0	WDS C2H 0	WDE C1H 0	WDWR C0H 0	BITS	WDCON C0H 10H	RESERVED	CHIPID C2H 16H	RESERVED	RESERVED	RESERVED	EADRL C6H 00H	RESERVED
	PADC BFH 0	PT2 BDH 0	PS BCH 0	PT1 BBH 0	PX1 BAH	PT0 B9H 0	PX0 B8H 0	BITS	IP B8H 00H	ECON B9H 00H	RESERVED	RESERVED	EDATA1 BCH 00H	EDATA2 BDH 00H	EDATA3 BEH 00H	EDATA4 BFH 00H
RD B7H 1	WR B6H 1	T1 B5H 1	T0 B4H 1	INT1 B3H 1	INT0 B2H 1	TXD B1H 1	RXD B0H 1	BITS	P3 B0H FFH	NOT USED	NOT USED	NOT USED	NOT USED	RESERVED	RESERVED	NOT USED
EA AFH 0	EADC AEH 0	ET2 ADH 0	ES ACH 0	ET1 ABH 0	EX1 AAH 0	ET0 A9H 0	EX0 A8H 0	BITS	IE A8H 00H	IEIP2 A9H A0H	RESERVED	RESERVED	RESERVED	RESERVED	RESERVED	RESERVED
A7H 1	A6H 1	A5H 1	A4H 1	A3H 1	A2H 1	A1H 1	A0H 1	BITS	P2 A0H FFH	TIMECON A1H 00H	HTHSEC A2H 00H	SEC A3H 00H	MIN A4H 00H	HOUR A5H 00H	INTVAL A6H 00H	NOT USED
SM0 9FH 0	SM1 9EH 0	SM2 9DH 0	REN 9CH 0	TB8 9BH 0	RB8 9AH 0	T1 99H 0	R1 98H 0	BITS	SCON 98H 00H	SBUF 99H 00H	I2CDAT 9AH 00H	I2CDAT 9BH 00H	NOT USED	NOT USED	NOT USED	NOT USED
97H 1	96H 1	95H 1	94H 1	93H 1	92H 1	T2EX 91H 1	T2 90H 1	BITS	P1 90H FFH	NOT USED	NOT USED	NOT USED	NOT USED	NOT USED	NOT USED	NOT USED
TF1 8FH 0	TR1 8EH 0	TF0 8DH 0	TR0 8CH 0	IE1 8BH 0	IT1 8AH 0	IE0 89H 0	IT0 88H 0	BITS	TCON 88H 00H	TMOD 89H 00H	TL0 8AH 00H	TL1 8BH 00H	TH0 8CH 00H	TH1 8DH 00H	RESERVED	RESERVED
87H 1	86H 1	85H 1	84H 1	83H 1	82H 1	81H 1	80H 1	BITS	P0 80H FFH	SP 81H 07H	DPL 82H 00H	DPH 83H 00H	DPP 84H 00H	RESERVED	RESERVED	PCON 87H 00H

\*CALIBRATION COEFFICIENTS ARE PRECONFIGURED AT POWER-UP TO FACTORY-CALIBRATED VALUES.

SFR MAP KEY:



SFR NOTE:

SFRs WHOSE ADDRESSES END IN 0H OR 8H ARE BIT-ADDRESSABLE.

Figure 17. Special Function Register Locations and Reset Values



## SFR INTERFACE TO THE PRIMARY AND AUXILIARY ADCS

Both ADCs are controlled and configured via a number of SFRs that are mentioned here and described in more detail in the following pages.

ADCSTAT:	ADC Status Register. Holds general status of the Primary and Auxiliary ADCs.
ADCMODE:	ADC Mode Register. Controls general modes of operation for Primary and Auxiliary ADCs.
ADC0CON:	Primary ADC Control Register. Controls specific configuration of Primary ADC.
ADC1CON:	Auxiliary ADC Control Register. Controls specific configuration of Auxiliary ADC.
SF:	Sinc Filter Register. Configures the decimation factor for the Sinc3 filter and thus the Primary and Auxiliary ADC update rates.

ICON:	Current Source Control Register. Allows user control of the various on-chip current source options.
ADC0H/M*:	Primary ADC 16-bit conversion result held in these two 8-bit registers.
ADC1H/L:	Auxiliary ADC 16-bit conversion result held in these two 8-bit registers.
OF0H/M*:	Primary ADC 16-bit Offset Calibration Coefficient held in these two 8-bit registers.
OF1H/L:	Auxiliary ADC 16-bit Offset Calibration Coefficient held in these two 8-bit registers.
GN0H/M*:	Primary ADC 16-bit Gain Calibration Coefficient held in these two 8-bit registers.
GN1H/L:	Auxiliary ADC 16-bit Gain Calibration Coefficient held in these two 8-bit registers.

\*To maintain code compatibility with the ADuC824, it is the low-byte SFR associated with these register groups that is omitted on the ADuC816.

### ADCSTAT (ADC Status Register)

This SFR reflects the status of both ADCs including data ready, calibration and various (ADC-related) error and warning conditions including reference detect and conversion overflow/underflow flags.

SFR Address	D8H
Power-On Default Value	00H
Bit Addressable	Yes

RDY0	RDY1	CAL	NOXREF	ERR0	ERR1	---	---
------	------	-----	--------	------	------	-----	-----

**Table III. ADCSTAT SFR Bit Designations**

Bit	Name	Description
7	RDY0	Ready Bit for Primary ADC. <i>Set</i> by hardware on completion of ADC conversion or calibration cycle. <i>Cleared</i> directly by the user or indirectly by write to the mode bits to start another Primary ADC conversion or calibration. The Primary ADC is inhibited from writing further results to its data or calibration registers until the RDY0 bit is cleared.
6	RDY1	Ready Bit for Auxiliary ADC. Same definition as RDY0 referred to the Auxiliary ADC.
5	CAL	Calibration Status Bit. <i>Set</i> by hardware on completion of calibration. <i>Cleared</i> indirectly by a write to the mode bits to start another ADC conversion or calibration.
4	NOXREF	No External Reference Bit ( <i>only active if Primary or Auxiliary ADC is active</i> ). <i>Set</i> to indicate that one or both of the REFIN pins is floating or the applied voltage is below a specified threshold. When <i>Set</i> conversion results are clamped to all ones, if using ext. reference. <i>Cleared</i> to indicate valid $V_{REF}$ .
3	ERR0	Primary ADC Error Bit. <i>Set</i> by hardware to indicate that the result written to the Primary ADC data registers has been clamped to all zeros or all ones. After a calibration this bit also flags error conditions that caused the calibration registers not to be written. <i>Cleared</i> by a write to the mode bits to initiate a conversion or calibration.
2	ERR1	Auxiliary ADC Error Bit. Same definition as ERR0 referred to the Auxiliary ADC.
1	---	Reserved for Future Use.
0	---	Reserved for Future Use.

# ADuC816

## ADCMODE (ADC Mode Register)

Used to control the operational mode of both ADCs.

SFR Address	D1H
Power-On Default Value	00H
Bit Addressable	No

---	---	<b>ADC0EN</b>	<b>ADC1EN</b>	---	<b>MD2</b>	<b>MD1</b>	<b>MD0</b>
-----	-----	---------------	---------------	-----	------------	------------	------------

**Table IV. ADCMODE SFR Bit Designations**

Bit	Name	Description																																				
7	---	Reserved for Future Use.																																				
6	---	Reserved for Future Use.																																				
5	ADC0EN	Primary ADC Enable. <i>Set</i> by the user to enable the Primary ADC and place it in the mode selected in MD2-MD0 below <i>Cleared</i> by the user to place the Primary ADC in power-down mode.																																				
4	ADC1EN	Auxiliary ADC Enable. <i>Set</i> by the user to enable the Auxiliary ADC and place it in the mode selected in MD2-MD0 below <i>Cleared</i> by the user to place the Auxiliary ADC in power-down mode.																																				
3	---	Reserved for Future Use.																																				
2	MD2	Primary and Auxiliary ADC Mode bits.																																				
1	MD1	These bits select the operational mode of the enabled ADC as follows: <table border="1"> <thead> <tr> <th>MD2</th> <th>MD1</th> <th>MD0</th> <th></th> </tr> </thead> <tbody> <tr> <td>0</td> <td>0</td> <td>0</td> <td>Power-Down Mode (Power-On Default)</td> </tr> <tr> <td>0</td> <td>0</td> <td>1</td> <td>Idle Mode In Idle Mode the ADC filter and modulator are held in a reset state although the modulator clocks are still provided.</td> </tr> <tr> <td>0</td> <td>1</td> <td>0</td> <td>Single Conversion Mode In Single Conversion Mode, a single conversion is performed on the enabled ADC. On completion of the conversion, the ADC data registers (ADC0H/M and/or ADC1H/L) are updated, the relevant flags in the ADCSTAT SFR are written, and power-down is re-entered with the MD2-MD0 accordingly being written to 000.</td> </tr> <tr> <td>0</td> <td>1</td> <td>1</td> <td>Continuous Conversion In continuous conversion mode the ADC data registers are regularly updated at the selected update rate (see SF register)</td> </tr> <tr> <td>1</td> <td>0</td> <td>0</td> <td>Internal Zero-Scale Calibration Internal short automatically connected to the enabled ADC(s)</td> </tr> <tr> <td>1</td> <td>0</td> <td>1</td> <td>Internal Full-Scale Calibration Internal or External V<sub>REF</sub> (as determined by XREF0 and XREF1 bits in ADC0/1CON) is automatically connected to the ADC input for this calibration.</td> </tr> <tr> <td>1</td> <td>1</td> <td>0</td> <td>System Zero-Scale Calibration User should connect system zero-scale input to the ADC input pins as selected by CH1/CH0 and ACH1/ACH0 bits in the ADC0/1CON register.</td> </tr> <tr> <td>1</td> <td>1</td> <td>1</td> <td>System Full-Scale Calibration User should connect system full-scale input to the ADC input pins as selected by CH1/CH0 and ACH1/ACH0 bits in the ADC0/1CON register.</td> </tr> </tbody> </table>	MD2	MD1	MD0		0	0	0	Power-Down Mode (Power-On Default)	0	0	1	Idle Mode In Idle Mode the ADC filter and modulator are held in a reset state although the modulator clocks are still provided.	0	1	0	Single Conversion Mode In Single Conversion Mode, a single conversion is performed on the enabled ADC. On completion of the conversion, the ADC data registers (ADC0H/M and/or ADC1H/L) are updated, the relevant flags in the ADCSTAT SFR are written, and power-down is re-entered with the MD2-MD0 accordingly being written to 000.	0	1	1	Continuous Conversion In continuous conversion mode the ADC data registers are regularly updated at the selected update rate (see SF register)	1	0	0	Internal Zero-Scale Calibration Internal short automatically connected to the enabled ADC(s)	1	0	1	Internal Full-Scale Calibration Internal or External V <sub>REF</sub> (as determined by XREF0 and XREF1 bits in ADC0/1CON) is automatically connected to the ADC input for this calibration.	1	1	0	System Zero-Scale Calibration User should connect system zero-scale input to the ADC input pins as selected by CH1/CH0 and ACH1/ACH0 bits in the ADC0/1CON register.	1	1	1	System Full-Scale Calibration User should connect system full-scale input to the ADC input pins as selected by CH1/CH0 and ACH1/ACH0 bits in the ADC0/1CON register.
MD2	MD1		MD0																																			
0	0		0	Power-Down Mode (Power-On Default)																																		
0	0		1	Idle Mode In Idle Mode the ADC filter and modulator are held in a reset state although the modulator clocks are still provided.																																		
0	1		0	Single Conversion Mode In Single Conversion Mode, a single conversion is performed on the enabled ADC. On completion of the conversion, the ADC data registers (ADC0H/M and/or ADC1H/L) are updated, the relevant flags in the ADCSTAT SFR are written, and power-down is re-entered with the MD2-MD0 accordingly being written to 000.																																		
0	1		1	Continuous Conversion In continuous conversion mode the ADC data registers are regularly updated at the selected update rate (see SF register)																																		
1	0		0	Internal Zero-Scale Calibration Internal short automatically connected to the enabled ADC(s)																																		
1	0		1	Internal Full-Scale Calibration Internal or External V <sub>REF</sub> (as determined by XREF0 and XREF1 bits in ADC0/1CON) is automatically connected to the ADC input for this calibration.																																		
1	1		0	System Zero-Scale Calibration User should connect system zero-scale input to the ADC input pins as selected by CH1/CH0 and ACH1/ACH0 bits in the ADC0/1CON register.																																		
1	1		1	System Full-Scale Calibration User should connect system full-scale input to the ADC input pins as selected by CH1/CH0 and ACH1/ACH0 bits in the ADC0/1CON register.																																		
0	MD0																																					

### NOTES

- Any change to the MD bits will immediately reset both ADCs. A write to the MD2-0 bits with no change is also treated as a reset. (See exception to this in Note 3 below.)
- If ADC0CON is written when AD0EN = 1, or if AD0EN is changed from 0 to 1, then both ADCs are also immediately reset. In other words, the Primary ADC is given priority over the Auxiliary ADC and any change requested on the primary ADC is immediately responded to.
- On the other hand, if ADC1CON is written or if ADC1EN is changed from 0 to 1, only the Auxiliary ADC is reset. For example, if the Primary ADC is continuously converting when the Auxiliary ADC change or enable occurs, the primary ADC continues undisturbed. Rather than allow the Auxiliary ADC to operate with a phase difference from the primary ADC, the Auxiliary ADC will fall into step with the outputs of the primary ADC. The result is that the first conversion time for the Auxiliary ADC will be delayed up to three outputs while the Auxiliary ADC update rate is synchronized to the Primary ADC.
- Once ADCMODE has been written with a calibration mode, the RDY0/1 bits (ADCSTAT) are immediately reset and the calibration commences. On completion, the appropriate calibration registers are written, the relevant bits in ADCSTAT are written, and the MD2-0 bits are reset to 000 to indicate the ADC is back in power-down mode.
- Any calibration request of the Auxiliary ADC while the temperature sensor is selected will fail to complete. Although the RDY1 bit will be set at the end of the calibration cycle, no update of the calibration SFRs will take place and the ERR1 bit will be set.
- Calibrations are performed at maximum SF (see SF SFR) value guaranteeing optimum calibration operation.

## ADC0CON (Primary ADC Control Register)

Used to configure the Primary ADC for range, channel selection, external Ref enable, and unipolar or bipolar coding.

SFR Address	D2H
Power-On Default Value	07H
Bit Addressable	No

---	XREF0	CH1	CH0	UNI0	RN2	RN1	RN0
-----	-------	-----	-----	------	-----	-----	-----

**Table V. ADC0CON SFR Bit Designations**

Bit	Name	Description																																				
7	---	Reserved for Future Use.																																				
6	XREF0	Primary ADC External Reference Select Bit. <i>Set</i> by user to enable the Primary ADC to use the external reference via REFIN(+)/REFIN(-). <i>Cleared</i> by user to enable the Primary ADC to use the internal bandgap reference ( $V_{REF} = 1.25\text{ V}$ ).																																				
5	CH1	Primary ADC Channel Selection Bits. Written by the user to select the differential input pairs used by the Primary ADC as follows:																																				
4	CH0																																					
			<table style="width: 100%; border-collapse: collapse;"> <thead> <tr> <th style="text-align: left;">CH1</th> <th style="text-align: left;">CH0</th> <th style="text-align: left;">Positive Input</th> <th style="text-align: left;">Negative Input</th> </tr> </thead> <tbody> <tr> <td>0</td> <td>0</td> <td>AIN1</td> <td>AIN2</td> </tr> <tr> <td>0</td> <td>1</td> <td>AIN3</td> <td>AIN4</td> </tr> <tr> <td>1</td> <td>0</td> <td>AIN2</td> <td>AIN2 (Internal Short)</td> </tr> <tr> <td>1</td> <td>1</td> <td>AIN3</td> <td>AIN2</td> </tr> </tbody> </table>	CH1	CH0	Positive Input	Negative Input	0	0	AIN1	AIN2	0	1	AIN3	AIN4	1	0	AIN2	AIN2 (Internal Short)	1	1	AIN3	AIN2															
CH1	CH0		Positive Input	Negative Input																																		
0	0	AIN1	AIN2																																			
0	1	AIN3	AIN4																																			
1	0	AIN2	AIN2 (Internal Short)																																			
1	1	AIN3	AIN2																																			
3	UNI0	Primary ADC Unipolar Bit. <i>Set</i> by user to enable unipolar coding, i.e., zero differential input will result in 000000 hex output. <i>Cleared</i> by user to enable bipolar coding, zero differential input will result in 800000 hex output.																																				
2	RN2	Primary ADC Range Bits. Written by the user to select the Primary ADC input range as follows:																																				
1	RN1																																					
0	RN0																																					
		<table style="width: 100%; border-collapse: collapse;"> <thead> <tr> <th style="text-align: left;">RN2</th> <th style="text-align: left;">RN1</th> <th style="text-align: left;">RN0</th> <th style="text-align: left;">Selected Primary ADC Input Range (<math>V_{REF} = 2.5\text{ V}</math>)</th> </tr> </thead> <tbody> <tr> <td>0</td> <td>0</td> <td>0</td> <td><math>\pm 20\text{ mV}</math></td> </tr> <tr> <td>0</td> <td>0</td> <td>1</td> <td><math>\pm 40\text{ mV}</math></td> </tr> <tr> <td>0</td> <td>1</td> <td>0</td> <td><math>\pm 80\text{ mV}</math></td> </tr> <tr> <td>0</td> <td>1</td> <td>1</td> <td><math>\pm 160\text{ mV}</math></td> </tr> <tr> <td>1</td> <td>0</td> <td>0</td> <td><math>\pm 320\text{ mV}</math></td> </tr> <tr> <td>1</td> <td>0</td> <td>1</td> <td><math>\pm 640\text{ mV}</math></td> </tr> <tr> <td>1</td> <td>1</td> <td>0</td> <td><math>\pm 1.28\text{ V}</math></td> </tr> <tr> <td>1</td> <td>1</td> <td>1</td> <td><math>\pm 2.56\text{ V}</math></td> </tr> </tbody> </table>	RN2	RN1	RN0	Selected Primary ADC Input Range ( $V_{REF} = 2.5\text{ V}$ )	0	0	0	$\pm 20\text{ mV}$	0	0	1	$\pm 40\text{ mV}$	0	1	0	$\pm 80\text{ mV}$	0	1	1	$\pm 160\text{ mV}$	1	0	0	$\pm 320\text{ mV}$	1	0	1	$\pm 640\text{ mV}$	1	1	0	$\pm 1.28\text{ V}$	1	1	1	$\pm 2.56\text{ V}$
RN2	RN1	RN0	Selected Primary ADC Input Range ( $V_{REF} = 2.5\text{ V}$ )																																			
0	0	0	$\pm 20\text{ mV}$																																			
0	0	1	$\pm 40\text{ mV}$																																			
0	1	0	$\pm 80\text{ mV}$																																			
0	1	1	$\pm 160\text{ mV}$																																			
1	0	0	$\pm 320\text{ mV}$																																			
1	0	1	$\pm 640\text{ mV}$																																			
1	1	0	$\pm 1.28\text{ V}$																																			
1	1	1	$\pm 2.56\text{ V}$																																			

# ADuC816

## ADC1CON (Auxiliary ADC Control Register)

Used to configure the Auxiliary ADC for channel selection, external Ref enable and unipolar or bipolar coding. It should be noted that the Auxiliary ADC only operates on a fixed input range of  $\pm V_{REF}$ .

SFR Address	D3H
Power-On Default Value	00H
Bit Addressable	No

---	XREF1	ACH1	ACH0	UNI1	---	---	---
-----	-------	------	------	------	-----	-----	-----

Table VI. ADC1CON SFR Bit Designations

Bit	Name	Description																				
7	---	Reserved for Future Use.																				
6	XREF1	Auxiliary ADC External Reference Bit. <i>Set</i> by user to enable the Auxiliary ADC to use the external reference via REFIN(+)/REFIN(-). <i>Cleared</i> by user to enable the Auxiliary ADC to use the internal bandgap reference.																				
5	ACH1	Auxiliary ADC Channel Selection Bits.																				
4	ACH0	Written by the user to select the single-ended input pins used to drive the Auxiliary ADC as follows: <table border="1" style="display: inline-table; margin-left: 20px;"> <tr> <td>ACH1</td> <td>ACH0</td> <td>Positive Input</td> <td>Negative Input</td> </tr> <tr> <td>0</td> <td>0</td> <td>AIN3</td> <td>AGND</td> </tr> <tr> <td>0</td> <td>1</td> <td>AIN4</td> <td>AGND</td> </tr> <tr> <td>1</td> <td>0</td> <td>Temp Sensor*</td> <td>AGND (Temp. Sensor routed to the ADC input)</td> </tr> <tr> <td>1</td> <td>1</td> <td>AIN5</td> <td>AGND</td> </tr> </table>	ACH1	ACH0	Positive Input	Negative Input	0	0	AIN3	AGND	0	1	AIN4	AGND	1	0	Temp Sensor*	AGND (Temp. Sensor routed to the ADC input)	1	1	AIN5	AGND
ACH1	ACH0	Positive Input	Negative Input																			
0	0	AIN3	AGND																			
0	1	AIN4	AGND																			
1	0	Temp Sensor*	AGND (Temp. Sensor routed to the ADC input)																			
1	1	AIN5	AGND																			
3	UNI1	Auxiliary ADC Unipolar Bit. <i>Set</i> by user to enable unipolar coding, i.e., zero input will result in 0000 hex output. <i>Cleared</i> by user to enable bipolar coding, zero input will result in 8000 hex output.																				
2	---	Reserved for Future Use.																				
1	---	Reserved for Future Use.																				
0	---	Reserved for Future Use.																				

### \*NOTES

- When the temperature sensor is selected, user code must select internal reference via XREF1 bit above and clear the UNI1 bit (ADC1CON.3) to select bipolar coding.
- The temperature sensor is factory calibrated to yield conversion results 8000H at 0 °C.
- A +1°C change in temperature will result in a +1 LSB change in the ADC1H register ADC conversion result.

## SF (Sinc Filter Register)

The number in this register sets the decimation factor and thus the output update rate for the Primary and Auxiliary ADCs. This SFR cannot be written by user software while either ADC is active. The update rate applies to both Primary and Auxiliary ADCs and is calculated as follows:

$$f_{ADC} = \frac{1}{3} \cdot \frac{1}{8 \cdot SF} \cdot f_{MOD}$$

Where:  $f_{ADC}$  = ADC Output Update Rate  
 $f_{MOD}$  = Modulator Clock Frequency = 32.768 kHz  
 $SF$  = Decimal Value of SF Register

The allowable range for SF is 0Dhex to FFhex. Examples of SF values and corresponding conversion update rate ( $f_{ADC}$ ) and conversion time ( $t_{ADC}$ ) are shown in Table VII, the power-on default

value for the SF register is 45 hex, resulting in a default ADC update rate of just under 20 Hz. Both ADC inputs are chopped to minimize offset errors, which means that the settling time for a single conversion or the time to a first conversion result in continuous conversion mode is  $2 \times t_{ADC}$ . As mentioned earlier, all calibration cycles will be carried out automatically with a maximum, i.e., FFhex, SF value to ensure optimum calibration performance. Once a calibration cycle has completed, the value in the SF register will be that programmed by user software.

Table VII. SF SFR Bit Designations

SF(dec)	SF(hex)	$f_{ADC}$ (Hz)	$t_{ADC}$ (ms)
13	0D	105.3	9.52
69	45	19.79	50.34
255	FF	5.35	186.77

## ICON (Current Sources Control Register)

Used to control and configure the various excitation and burnout current source options available on-chip.

SFR Address	D5H
Power-On Default Value	00H
Bit Addressable	No

---	<b>BO</b>	<b>ADC1IC</b>	<b>ADC0IC</b>	<b>I2PIN</b>	<b>I1PIN</b>	<b>I2EN</b>	<b>I1EN</b>
-----	-----------	---------------	---------------	--------------	--------------	-------------	-------------

**Table VIII. ICON SFR Bit Designations**

Bit	Name	Description
7	---	Reserved for Future Use.
6	BO	Burnout Current Enable Bit. <i>Set</i> by user to enable both transducer burnout current sources in the primary ADC signal paths. <i>Cleared</i> by user to disable both transducer burnout current sources.
5	ADC1IC	Auxiliary ADC Current Correction Bit. <i>Set</i> by user to allow scaling of the Auxiliary ADC by an internal current source calibration word.
4	ADC0IC	Primary ADC Current Correction Bit. <i>Set</i> by user to allow scaling of the Primary ADC by an internal current source calibration word.
3	I2PIN*	Current Source-2 Pin Select Bit. <i>Set</i> by user to enable current source-2 (200 $\mu$ A) to external Pin 3 (P1.2/DAC/IEXC1). <i>Cleared</i> by user to enable current source-2 (200 $\mu$ A) to external Pin 4 (P1.3/AIN5/IEXC2).
2	I1PIN*	Current Source-1 Pin Select Bit. <i>Set</i> by user to enable current source-1 (200 $\mu$ A) to external Pin 4 (P1.3/AIN5/IEXC2). <i>Cleared</i> by user to enable current source-1 (200 $\mu$ A) to external Pin 3 (P1.2/DAC/IEXC1).
1	I2EN	Current Source-2 Enable Bit. <i>Set</i> by user to turn on excitation current source-2 (200 $\mu$ A). <i>Cleared</i> by user to turn off excitation current source-2 (200 $\mu$ A).
0	I1EN	Current Source-1 Enable Bit. <i>Set</i> by user to turn on excitation current source-1 (200 $\mu$ A). <i>Cleared</i> by user to turn off excitation current source-1 (200 $\mu$ A).

\*Both current sources can be enabled to the same external pin, yielding a 400  $\mu$ A current source.

## ADC0H/ADC0M (Primary ADC Conversion Result Registers)

These two 8-bit registers hold the 16-bit conversion result from the Primary ADC.

SFR Address	ADC0H	High Data Byte	DBH
	ADC0M	Middle Data Byte	DAH
Power-On Default Value	00H	Both Registers	
Bit Addressable	No	Both Registers	

## ADC1H/ADC1L (Auxiliary ADC Conversion Result Registers)

These two 8-bit registers hold the 16-bit conversion result from the Auxiliary ADC.

SFR Address	ADC1H	High Data Byte	DDH
	ADC1L	Low Data Byte	DCH
Power-On Default Value	00H	Both Registers	
Bit Addressable	No	Both Registers	

# ADuC816

## OF0H/OF0M (Primary ADC Offset Calibration Registers<sup>1</sup>)

These two 8-bit registers hold the 16-bit offset calibration coefficient for the Primary ADC. These registers are configured at power-on with a factory default value of 8000Hex. However, these bytes will be automatically overwritten if an internal or system zero-scale calibration is initiated by the user via MD2–0 bits in the ADCMODE register.

SFR Address	OF0H	Primary ADC Offset Coefficient High Byte	E3H
	OF0M	Primary ADC Offset Coefficient Middle Byte	E2H
Power-On Default Value	8000H	OF0H and OF0M Respectively	
Bit Addressable	No	Both Registers	

## OF1H/OF1L (Auxiliary ADC Offset Calibration Registers<sup>1</sup>)

These two 8-bit registers hold the 16-bit offset calibration coefficient for the Auxiliary ADC. These registers are configured at power-on with a factory default value of 8000Hex. However, these bytes will be automatically overwritten if an internal or system zero-scale calibration is initiated by the user via the MD2–0 bits in the ADCMODE register.

SFR Address	OF1H	Auxiliary ADC Offset Coefficient High Byte	E5H
	OF1L	Auxiliary ADC Offset Coefficient Low Byte	E4H
Power-On Default Value	8000H	OF1H and OF1L Respectively	
Bit Addressable	No	Both Registers	

## GN0H/GN0M (Primary ADC Gain Calibration Registers<sup>1</sup>)

These two 8-bit registers hold the 16-bit gain calibration coefficient for the Primary ADC. These registers are configured at power-on with a factory-calculated internal full-scale calibration coefficient. Every device will have an individual coefficient. However, these bytes will be automatically overwritten if an internal or system full-scale calibration is initiated by the user via MD2–0 bits in the ADCMODE register.

SFR Address	GN0H	Primary ADC Gain Coefficient High Byte	EBH
	GN0M	Primary ADC Gain Coefficient Middle Byte	EAH
Power-On Default Value		Configured at factory final test, see notes above.	
Bit Addressable	No	Both Registers	

## GN1H/GN1L (Auxiliary ADC Gain Calibration Registers<sup>1</sup>)

These two 8-bit registers hold the 16-bit gain calibration coefficient for the Auxiliary ADC. These registers are configured at power-on with a factory calculated internal full-scale calibration coefficient. Every device will have an individual coefficient. However, these bytes will be automatically overwritten if an internal or system full-scale calibration is initiated by the user via MD2–0 bits in the ADCMODE register.

SFR Address	GN1H	Auxiliary ADC Gain Coefficient High Byte	EDH
	GN1L	Auxiliary ADC Gain Coefficient Low Byte	ECH
Power-On Default Value		Configured at factory final test, see notes above.	
Bit Addressable	No	Both Registers	

### NOTE

<sup>1</sup>These registers can be overwritten by user software only if Mode bits MD0–2 (ADCMODE SFR) are zero.

**PRIMARY AND AUXILIARY ADC CIRCUIT DESCRIPTION OVERVIEW**

The ADuC816 incorporates two independent sigma-delta ADCs (Primary and Auxiliary) with on-chip digital filtering intended for the measurement of wide dynamic range, low frequency signals such as those in weigh-scale, strain-gauge, pressure transducer or temperature measurement applications.

**Primary ADC**

This ADC is intended to convert the primary sensor input. The input is buffered and can be programmed for one of 8 input ranges from  $\pm 20$  mV to  $\pm 2.56$  V being driven from one of three differential input channel options AIN1/2, AIN3/4, or AIN3/2. The input channel is internally buffered allowing the part to handle significant source impedances on the analog input, allowing R/C filtering (for noise rejection or RFI reduction) to be placed on

the analog inputs if required. On-chip burnout currents can also be turned on. These currents can be used to check that a transducer on the selected channel is still operational before attempting to take measurements.

The ADC employs a sigma-delta conversion technique to realize up to 16 bits of no missing codes performance. The sigma-delta modulator converts the sampled input signal into a digital pulse train whose duty cycle contains the digital information. A Sinc3 programmable low-pass filter is then employed to decimate the modulator output data stream to give a valid data conversion result at programmable output rates from 5.35 Hz (186.77 ms) to 105.03 Hz (9.52 ms). A Chopping scheme is also employed to minimize ADC offset errors. A block diagram of the Primary ADC is shown in Figure 18.

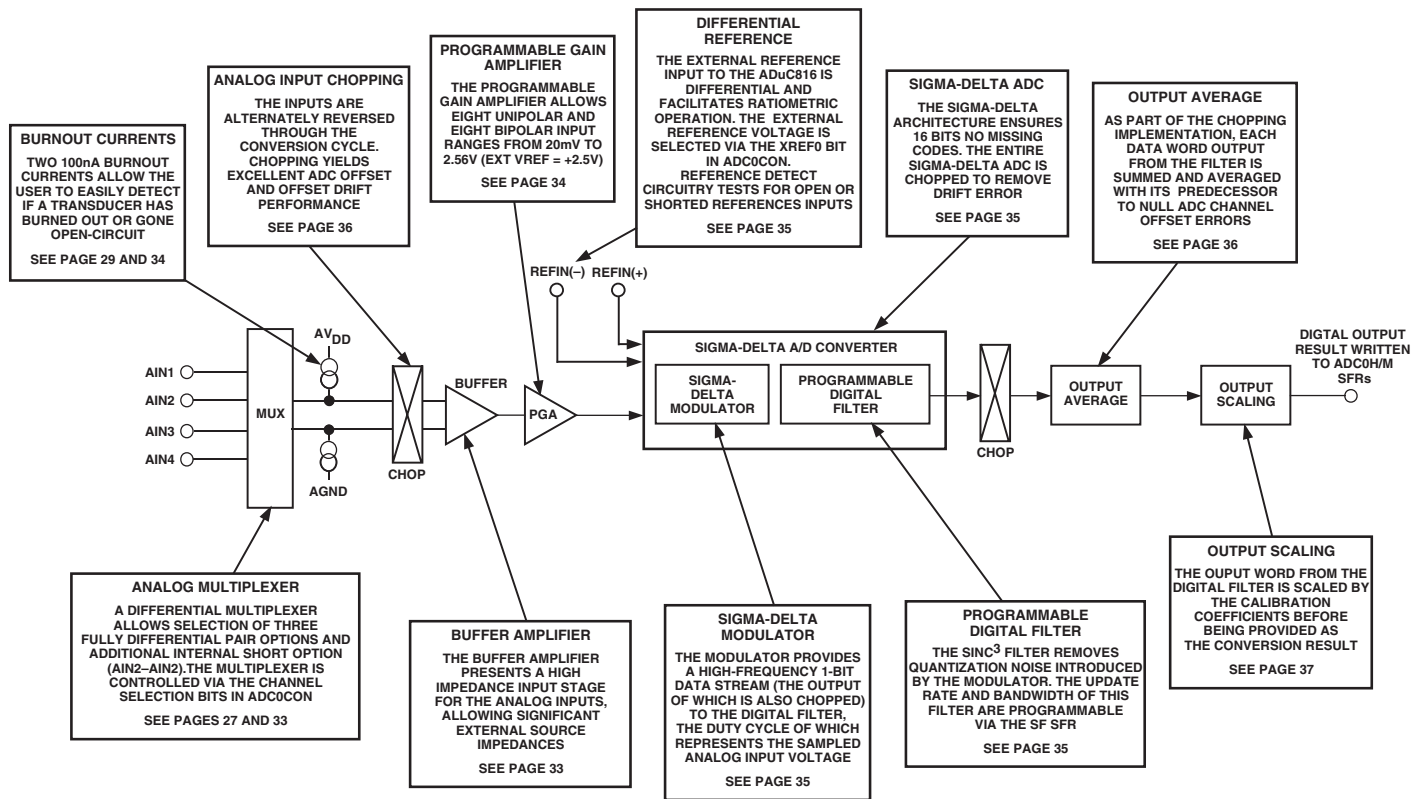


Figure 18. Primary ADC Block Diagram

# ADuC816

## Auxiliary ADC

The Auxiliary ADC is intended to convert supplementary inputs such as those from a cold junction diode or thermistor. This ADC is not buffered and has a fixed input range of 0 V to 2.5 V

(assuming an external 2.5 V reference). The single-ended inputs can be driven from AIN3, AIN4 or AIN5 pins or directly from the on-chip temperature sensor voltage. A block diagram of the Auxiliary ADC is shown in Figure 19.

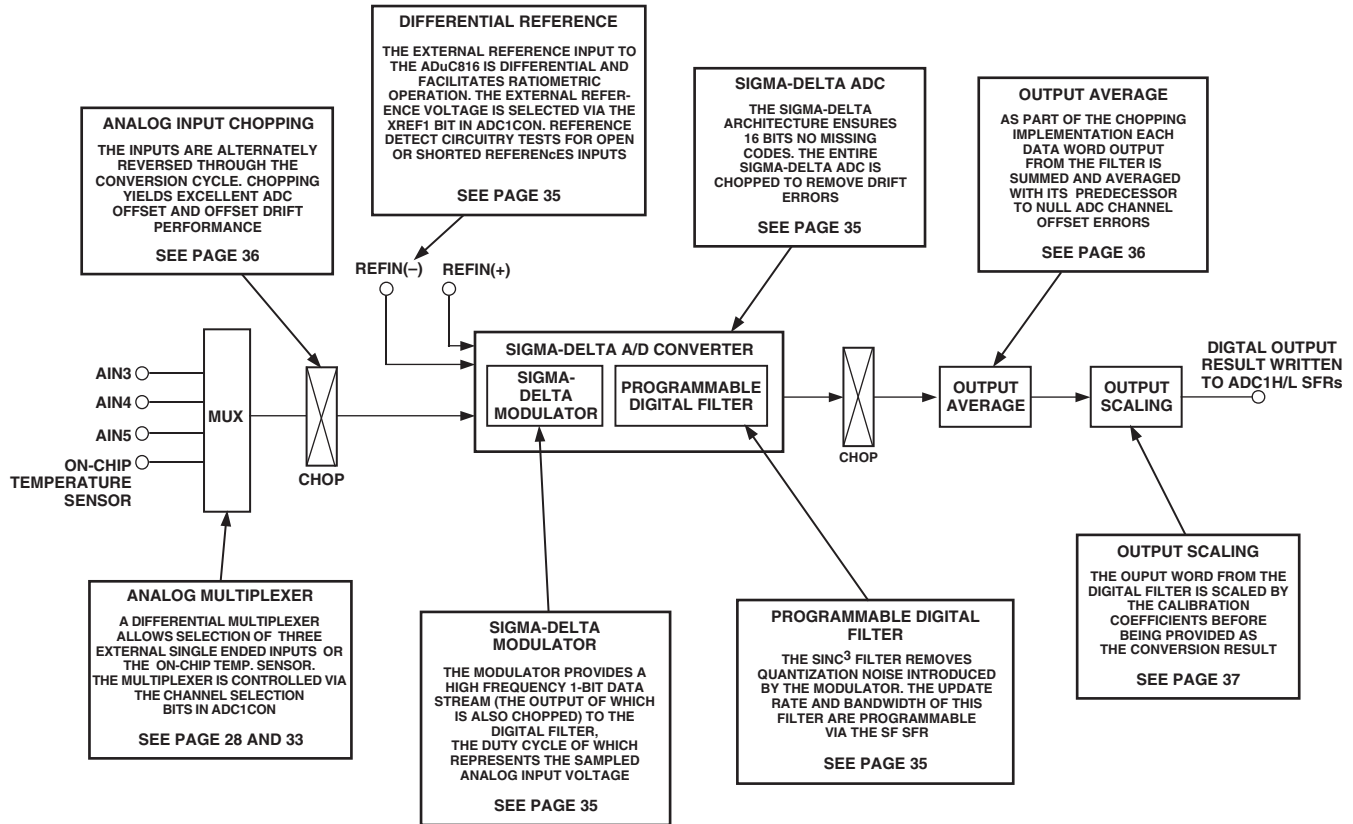


Figure 19. Auxiliary ADC Block Diagram



## PRIMARY AND AUXILIARY ADC NOISE PERFORMANCE

Tables IX, X and XI below show the output rms noise in  $\mu\text{V}$  and output peak-to-peak resolution in bits (rounded to the nearest 0.5 LSB) for some typical output update rates on both the Primary and Auxiliary ADCs. The numbers are typical and

are generated at a differential input voltage of 0 V. The output update rate is selected via the SF7–SF0 bits in the Sinc Filter (SF) SFR. It is important to note that the peak-to-peak resolution figures represent the resolution for which there will be no code flicker within a six-sigma limit.

**Table IX. Primary ADC, Typical Output RMS Noise ( $\mu\text{V}$ )**

**Typical Output RMS Noise vs. Input Range and Update Rate; Output RMS Noise in  $\mu\text{V}$**

SF Word	Data Update Rate (Hz)	$\pm 20\text{ mV}$	$\pm 40\text{ mV}$	$\pm 80\text{ mV}$	Input Range $\pm 160\text{ mV}$	$\pm 320\text{ mV}$	$\pm 640\text{ mV}$	$\pm 1.28\text{ V}$	$\pm 2.56\text{ V}$
13	105.3	1.50	1.50	1.60	1.75	3.50	4.50	6.70	11.75
69	19.79	0.60	0.65	0.65	0.65	0.65	0.95	1.40	2.30
255	5.35	0.35	0.35	0.37	0.37	0.37	0.51	0.82	1.25

**Table X. Primary ADC, Peak-to-Peak Resolution (Bits)**

**Peak-to-Peak Resolution vs. Input Range and Update Rate; Peak-to-Peak Resolution in Bits**

SF Word	Data Update Rate (Hz)	$\pm 20\text{ mV}$	$\pm 40\text{ mV}$	$\pm 80\text{ mV}$	Input Range $\pm 160\text{ mV}$	$\pm 320\text{ mV}$	$\pm 640\text{ mV}$	$\pm 1.28\text{ V}$	$\pm 2.56\text{ V}$
13	105.3	12	13	14	15	15	15.5	16	16
69	19.79	13	14	15	16	16 <sup>1</sup>	16 <sup>1</sup>	16 <sup>1</sup>	16 <sup>1</sup>
255	5.35	14	15	16	16 <sup>1</sup>	16 <sup>1</sup>	16 <sup>1</sup>	16 <sup>1</sup>	16 <sup>1</sup>

NOTE

<sup>1</sup>Peak-to-peak resolution at these range/update rate settings is limited only by the number of bits available from the ADC. Effective resolution at these range/update rate settings is greater than 16 bits as indicated by the rms noise table shown in Table IX.

**Table XI. Auxiliary ADC**

**Typical Output RMS Noise vs. Update Rate<sup>1</sup>**  
Output RMS Noise in  $\mu\text{V}$

SF Word	Data Update Rate (Hz)	Input Range 2.5 V
13	105.3	10.75
69	19.79	2.00
255	5.35	1.15

NOTE

<sup>1</sup>ADC converting in bipolar mode.

**Peak-to-Peak Resolution vs. Update Rate<sup>1</sup>**  
Peak-to-Peak Resolution in Bits

SF Word	Data Update Rate (Hz)	Input Range 2.5 V
13	105.3	16 <sup>2</sup>
69	19.79	16
255	5.35	16

NOTES

<sup>1</sup>ADC converting in bipolar mode.

<sup>2</sup>In unipolar mode peak-to-peak resolution at 105 Hz is 15 bits.

### Analog Input Channels

The primary ADC has four associated analog input pins (labelled AIN1 to AIN4) which can be configured as two fully differential input channels. Channel selection bits in the ADC0CON SFR detailed in Table V allow three combinations of differential pair selection as well as an additional shorted input option (AIN2–AIN2).

The auxiliary ADC has three external input pins (labelled AIN3 to AIN5) as well as an internal connection to the internal on-chip temperature sensor. All inputs to the auxiliary ADC are single-ended inputs referenced to the AGND on the part. Channel selection bits in the ADC1CON SFR detailed previously in Table VI allow selection of one of four inputs.

Two input multiplexers switch the selected input channel to the on-chip buffer amplifier in the case of the primary ADC and directly to the sigma-delta modulator input in the case of the auxiliary ADC. When the analog input channel is switched, the settling time of the part must elapse before a new valid word is available from the ADC.

### Primary and Auxiliary ADC Inputs

The output of the primary ADC multiplexer feeds into a high impedance input stage of the buffer amplifier. As a result, the primary ADC inputs can handle significant source impedances and are tailored for direct connection to external resistive-type sensors like strain gauges or Resistance Temperature Detectors (RTDs).

The auxiliary ADC, however, is unbuffered resulting in higher analog input current on the auxiliary ADC. It should be noted that this unbuffered input path provides a dynamic load to the driving source. Therefore, resistor/capacitor combinations on the input pins can cause dc gain errors depending on the output impedance of the source that is driving the ADC inputs.

### Analog Input Ranges

The absolute input voltage range on the primary ADC is restricted to between AGND + 100 mV to AVDD – 100 mV. Care must be taken in setting up the common-mode voltage and input voltage range so that these limits are not exceeded, otherwise there will be a degradation in linearity performance.

# ADuC816

The absolute input voltage range on the auxiliary ADC is restricted to between AGND – 30 mV to AVDD + 30 mV. The slightly negative absolute input voltage limit does allow the possibility of monitoring small signal bipolar signals using the single-ended auxiliary ADC front end.

## Programmable Gain Amplifier

The output from the buffer on the primary ADC is applied to the input of the on-chip programmable gain amplifier (PGA). The PGA can be programmed through eight different unipolar input ranges and bipolar ranges. The PGA gain range is programmed via the range bits in the ADC0CON SFR. With the external reference select bit set in the ADC0CON SFR and an external 2.5 V reference, the unipolar ranges are 0 mV to +20 mV, 0 mV to 40 mV, 0 mV to 80 mV, 0 mV to 160 mV, 0 mV to 320 mV, 0 mV to 640 mV and 0 V to 1.28 V and 0 to 2.56 V while the bipolar ranges are  $\pm 20$  mV,  $\pm 40$  mV,  $\pm 80$  mV,  $\pm 160$  mV,  $\pm 320$  mV,  $\pm 640$  mV,  $\pm 1.28$  V and  $\pm 2.56$  V. These are the nominal ranges that should appear at the input to the on-chip PGA. An ADC range matching specification of 0.5 LSB (typ) across all ranges means that calibration need only be carried out at a single gain range and does not have to be repeated when the PGA gain range is changed.

The auxiliary ADC does not incorporate a PGA and is configured for a fixed single input range of 0 to  $V_{REF}$ .

## Bipolar/Unipolar Inputs

The analog inputs on the ADuC816 can accept either unipolar or bipolar input voltage ranges. Bipolar input ranges do not imply that the part can handle negative voltages with respect to system AGND.

Unipolar and bipolar signals on the AIN(+) input on the primary ADC are referenced to the voltage on the respective AIN(–) input. For example, if AIN(–) is 2.5 V and the primary ADC is configured for an analog input range of 0 mV to +20 mV, the input voltage range on the AIN(+) input is 2.5 V to 2.52 V. If AIN(–) is 2.5 V and the ADuC816 is configured for an analog input range of 1.28 V, the analog input range on the AIN(+) input is 1.22 V to 3.78 V (i.e.,  $2.5 \text{ V} \pm 1.28 \text{ V}$ ).

As mentioned earlier, the auxiliary ADC input is a single-ended input with respect to the system AGND. In this context a bipolar signal on the auxiliary ADC can only span 30 mV negative with respect to AGND before violating the voltage input limits for this ADC.

Bipolar or unipolar options are chosen by programming the Primary and Auxiliary Unipolar enable bits in the ADC0CON and ADC1CON SFRs respectively. This programs the relevant ADC for either unipolar or bipolar operation. Programming for either unipolar or bipolar operation does not change any of the input signal conditioning; it simply changes the data output coding and the points on the transfer function where calibrations occur. When an ADC is configured for unipolar operation, the output coding is natural (straight) binary with a zero differential input voltage resulting in a code of 000 . . . 000, a midscale voltage resulting in a code of 100 . . . 000, and a full-scale input voltage resulting in a code of 111 . . . 111. When an ADC is configured for bipolar operation, the coding is offset binary with a negative full-scale voltage resulting in a code of 000 . . . 000, a zero differential voltage resulting in a code of 100 . . . 000, and a positive full-scale voltage resulting in a code of 111 . . . 111.

## Burnout Currents

The primary ADC on the ADuC816 contains two 100 nA constant current generators, one sourcing current from AVDD to AIN(+), and one sinking from AIN(–) to AGND. The currents are switched to the selected analog input pair. Both currents are either on or off, depending on the Burnout Current Enable (BO) bit in the ICON SFR (see Table VIII). These currents can be used to verify that an external transducer is still operational before attempting to take measurements on that channel. Once the burnout currents are turned on, they will flow in the external transducer circuit, and a measurement of the input voltage on the analog input channel can be taken. If the resultant voltage measured is full-scale, this indicates that the transducer has gone open-circuit. If the voltage measured is 0 V, it indicates that the transducer has short circuited. For normal operation, these burnout currents are turned off by writing a 0 to the BO bit in the ICON SFR. The current sources work over the normal absolute input voltage range specifications.

## Excitation Currents

The ADuC816 also contains two identical, 200  $\mu\text{A}$  constant current sources. Both source current from AVDD to Pin 3 (IEXC1) or Pin 4 (IEXC2) These current sources are controlled via bits in the ICON SFR shown in Table VIII. They can be configured to source 200  $\mu\text{A}$  individually to both pins or a combination of both currents, i.e., 400  $\mu\text{A}$  to either of the selected pins. These current sources can be used to excite external resistive bridge or RTD sensors.

## Reference Input

The ADuC816's reference inputs, REFIN(+) and REFIN(–), provide a differential reference input capability. The common-mode range for these differential inputs is from AGND to AVDD. The nominal reference voltage,  $V_{REF}$  (REFIN(+) – REFIN(–)), for specified operation is 2.5 V with the primary and auxiliary reference enable bits set in the respective ADC0CON and/or ADC1CON SFRs.

The part is also functional (although not specified for performance) when the XREF0 or XREF1 bits are “0,” which enables the on-chip internal bandgap reference. In this mode, the ADCs will see the internal reference of 1.25 V, therefore halving all input ranges. As a result of using the internal reference voltage, a noticeable degradation in peak-to-peak resolution will result. Therefore, for best performance, operation with an external reference is strongly recommended.

In applications where the excitation (voltage or current) for the transducer on the analog input also drives the reference voltage for the part, the effect of the low-frequency noise in the excitation source will be removed as the application is ratiometric. If the ADuC816 is not used in a ratiometric application, a low noise reference should be used. Recommended reference voltage sources for the ADuC816 include the AD780, REF43, and REF192.

It should also be noted that the reference inputs provide a high impedance, dynamic load. Because the input impedance of each reference input is dynamic, resistor/capacitor combinations on these inputs can cause dc gain errors depending on the output impedance of the source that is driving the reference inputs. Reference voltage sources, like those recommended above (e.g., AD780) will typically have low output impedances and therefore decoupling capacitors on the REFIN(+) input would be recom-

mended. Deriving the reference input voltage across an external resistor, as shown in Figure 52, will mean that the reference input sees a significant external source impedance. External decoupling on the REFIN(+) and REFIN(-) pins would not be recommended in this type of circuit configuration.

### Reference Detect

The ADuC816 includes on-chip circuitry to detect if the part has a valid reference for conversions or calibrations. If the voltage between the external REFIN(+) and REFIN(-) pins goes below 0.3 V or either the REFIN(+) or REFIN(-) inputs is open circuit, the ADuC816 detects that it no longer has a valid reference. In this case, the NOXREF bit of the ADCSTAT SFR is set to a 1. If the ADuC816 is performing normal conversions and the NOXREF bit becomes active, the conversion results revert to all 1s. Therefore, it is not necessary to continuously monitor the status of the NOXREF bit when performing conversions. It is only necessary to verify its status if the conversion result read from the ADC Data Register is all 1s.

If the ADuC816 is performing either an offset or gain calibration and the NOXREF bit becomes active, the updating of the respective calibration registers is inhibited to avoid loading incorrect coefficients to these registers, and the appropriate ERR0 or ERR1 bits in the ADCSTAT SFR are set. If the user is concerned about verifying that a valid reference is in place every time a calibration is performed, the status of the ERR0 or ERR1 bit should be checked at the end of the calibration cycle.

### Sigma-Delta Modulator

A sigma-delta ADC generally consists of two main blocks, an analog modulator and a digital filter. In the case of the ADuC816 ADCs, the analog modulators consist of a difference amplifier, an integrator block, a comparator, and a feedback DAC as illustrated in Figure 20.

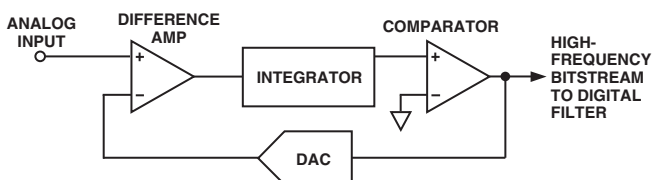


Figure 20. Sigma-Delta Modulator Simplified Block Diagram

In operation, the analog signal sample is fed to the difference amplifier along with the output of the feedback DAC. The difference between these two signals is integrated and fed to the comparator. The output of the comparator provides the input to the feedback DAC so the system functions as a negative feedback loop that tries to minimize the difference signal. The digital data that represents the analog input voltage is contained in the duty cycle of the pulse train appearing at the output of the comparator. This duty cycle data can be recovered as a data word using a subsequent digital filter stage. The sampling frequency of the modulator loop is many times higher than the bandwidth of the input signal. The integrator in the modulator shapes the quantization noise (which results from the analog-to-digital conversion) so that the noise is pushed toward one-half of the modulator frequency.

### Digital Filter

The output of the sigma-delta modulator feeds directly into the digital filter. The digital filter then band-limits the response to a frequency significantly lower than one-half of the modulator

frequency. In this manner, the 1-bit output of the comparator is translated into a band-limited, low noise output from the ADuC816 ADCs.

The ADuC816 filter is a low-pass, Sinc<sup>3</sup> or (sinx/x)<sup>3</sup> filter whose primary function is to remove the quantization noise introduced at the modulator. The cutoff frequency and decimated output data rate of the filter are programmable via the SF (Sinc Filter) SFR as described in Table VII.

Figure 21 shows the frequency response of the ADC channel at the default SF word of 69 dec or 45 hex, yielding an overall output update rate of just under 20 Hz.

It should be noted that this frequency response allows frequency components higher than the ADC Nyquist frequency to pass through the ADC, in some cases without significant attenuation. These components may, therefore, be aliased and appear in-band after the sampling process.

It should also be noted that rejection of mains-related frequency components, i.e., 50 Hz and 60 Hz, is seen to be at level of >65 dB at 50 Hz and >100 dB at 60 Hz. This confirms the data sheet specifications for 50 Hz/60 Hz Normal Mode Rejection (NMR) at a 20 Hz update rate.

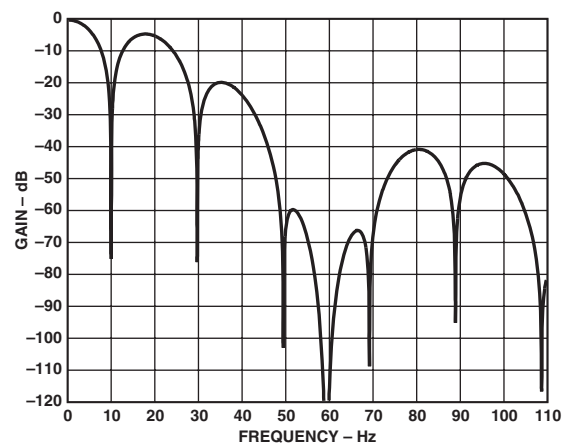


Figure 21. Filter Response, SF = 69 dec

The response of the filter, however, will change with SF word as can be seen in Figure 22, which shows >90 dB NMR at 50 Hz and >70 dB NMR at 60 Hz when SF = 255 dec.

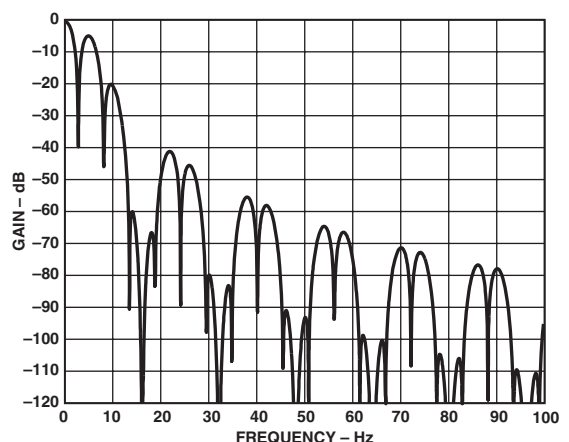


Figure 22. Filter Response, SF = 255 dec

# ADuC816

Figures 23 and 24 show the NMR for 50 Hz and 60 Hz across the full range of SF word, i.e., SF = 13 dec to SF = 255 dec.

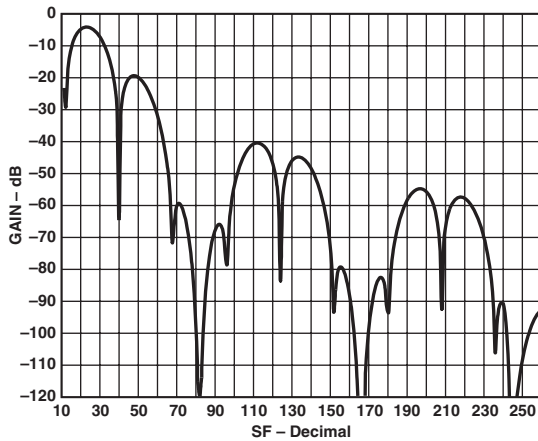


Figure 23. 50 Hz Normal Mode Rejection vs. SF

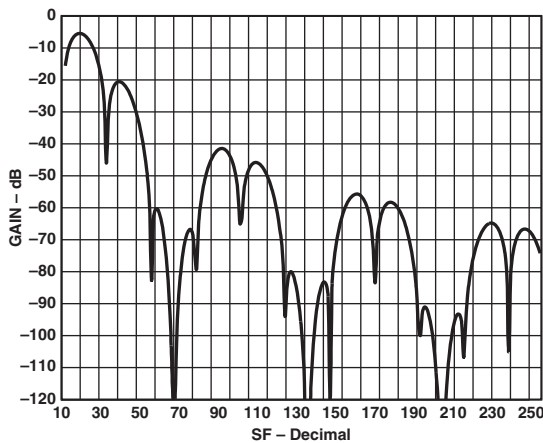


Figure 24. 60 Hz Normal Mode Rejection vs. SF

## ADC Chopping

Both ADCs on the ADuC816 implement a chopping scheme whereby the ADC repeatability reverses its inputs. The decimated digital output words from the Sinc<sup>3</sup> filters therefore have a positive offset and negative offset term included.

As a result, a final summing stage is included in each ADC so that each output word from the filter is summed and averaged with the previous filter output to produce a new valid output result to be written to the ADC data SFRs. In this way, while the ADC throughput or update rate is as discussed earlier and illustrated in Table VII, the full settling time through the ADC (or the time to a first conversion result), will actually be given by  $2 \times t_{ADC}$ .

The chopping scheme incorporated in the ADuC816 ADC results in excellent dc offset and offset drift specifications and is extremely beneficial in applications where drift, noise rejection, and optimum EMI rejection are important factors.

## Calibration

The ADuC816 provides four calibration modes that can be programmed via the mode bits in the ADCMODE SFR detailed in Table IV. In fact, every ADuC816 has already been factory calibrated. The resultant Offset and Gain calibration coefficients for both the primary and auxiliary ADCs are stored on-chip in manufacturing-specific Flash/EE memory locations. At power-on, these factory calibration coefficients are automatically downloaded to the calibration registers in the ADuC816 SFR space. Each ADC (primary and auxiliary) has dedicated calibration SFRs, these have been described earlier as part of the general ADC SFR description. However, the factory calibration values in the ADC calibration SFRs will be overwritten if any one of the four calibration options are initiated and that ADC is enabled via the ADC enable bits in ADCMODE.

Even though an internal offset calibration mode is described below, it should be recognized that both ADCs are chopped. This chopping scheme inherently minimizes offset and means that an internal offset calibration should never be required. Also, because factory 5 V/25°C gain calibration coefficients are automatically present at power-on, an internal full-scale calibration will only be required if the part is being operated at 3 V or at temperatures significantly different from 25°C.

The ADuC816 offers “internal” or “system” calibration facilities. For full calibration to occur on the selected ADC, the calibration logic must record the modulator output for two different input conditions. These are “zero-scale” and “full-scale” points. These points are derived by performing a conversion on the different input voltages provided to the input of the modulator during calibration. The result of the “zero-scale” calibration conversion is stored in the Offset Calibration Registers for the appropriate ADC. The result of the “full-scale” calibration conversion is stored in the Gain Calibration Registers for the appropriate ADC. With these readings, the calibration logic can calculate the offset and the gain slope for the input-to-output transfer function of the converter.

During an “internal” zero-scale or full-scale calibration, the respective “zero” input and “full-scale” input are automatically connected to the ADC input pins internally to the device. A “system” calibration, however, expects the system zero-scale and system full-scale voltages to be applied to the external ADC pins before the calibration mode is initiated. In this way external ADC errors are taken into account and minimized as a result of system calibration. It should also be noted that to optimize calibration accuracy, all ADuC816 ADC calibrations are carried out automatically at the slowest update rate.

Internally in the ADuC816, the coefficients are normalized before being used to scale the words coming out of the digital filter. The offset calibration coefficient is subtracted from the result prior to the multiplication by the gain coefficient. All ADuC816 ADC specifications will only apply after a zero-scale and full-scale calibration at the operating point (supply voltage/temperature) of interest.

From an operational point of view, a calibration should be treated like another ADC conversion. A zero-scale calibration (if required) should always be carried out before a full-scale calibration. System software should monitor the relevant ADC RDY0/1 bit in the ADCSTAT SFR to determine end of calibration via a polling sequence or interrupt driven routine.

## NONVOLATILE FLASH/EE MEMORY

### Flash/EE Memory Overview

The ADuC816 incorporates Flash/EE memory technology on-chip to provide the user with nonvolatile, in-circuit reprogrammable, code and data memory space.

Flash/EE memory is a relatively recent type of nonvolatile memory technology and is based on a single transistor cell architecture.

This technology is basically an outgrowth of EPROM technology and was developed through the late 1980s. Flash/EE memory takes the flexible in-circuit reprogrammable features of EEPROM and combines them with the space efficient/density features of EPROM (see Figure 25).

Because Flash/EE technology is based on a single transistor cell architecture, a Flash memory array, like EPROM, can be implemented to achieve the space efficiencies or memory densities required by a given design.

Like EEPROM, Flash memory can be programmed in-system at a byte level, although it must first be erased; the erase being performed in page blocks. Thus, Flash memory is often and more correctly referred to as Flash/EE memory.

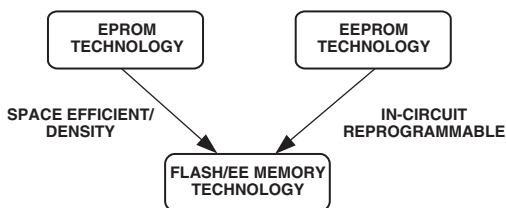


Figure 25. Flash/EE Memory Development

Overall, Flash/EE memory represents a step closer to the ideal memory device that includes nonvolatility, in-circuit programmability, high density and low cost. Incorporated in the ADuC816, Flash/EE memory technology allows the user to update program code space in-circuit, without the need to replace one-time programmable (OTP) devices at remote operating nodes.

### Flash/EE Memory and the ADuC816

The ADuC816 provides two arrays of Flash/EE memory for user applications. 8K bytes of Flash/EE Program space are provided on-chip to facilitate code execution without any external discrete ROM device requirements. The program memory can be programmed using conventional third party memory programmers. This array can also be programmed in-circuit, using the serial download mode provided.

A 640-Byte Flash/EE Data Memory space is also provided on-chip. This may be used as a general-purpose nonvolatile scratchpad area. User access to this area is via a group of six SFRs. This space can be programmed at a byte level, although it must first be erased in 4-byte pages.

### ADuC816 Flash/EE Memory Reliability

The Flash/EE Program and Data Memory arrays on the ADuC816 are fully qualified for two key Flash/EE memory characteristics, namely Flash/EE Memory Cycling Endurance and Flash/EE Memory Data Retention.

Endurance quantifies the ability of the Flash/EE memory to be cycled through many Program, Read, and Erase cycles. In real terms, a single endurance cycle is composed of four independent, sequential events. These events are defined as:

- a. initial page erase sequence
  - b. read/verify sequence
  - c. byte program sequence
  - d. second read/verify sequence
- } A single Flash/EE Memory Endurance Cycle

In reliability qualification, every byte in both the program and data Flash/EE memory is cycled from 00 hex to FFhex until a first fail is recorded signifying the endurance limit of the on-chip Flash/EE memory.

As indicated in the specification pages of this data sheet, the ADuC816 Flash/EE Memory Endurance qualification has been carried out in accordance with JEDEC Specification A117 over the industrial temperature range of  $-40^{\circ}\text{C}$ ,  $+25^{\circ}\text{C}$ , and  $+85^{\circ}\text{C}$ . The results allow the specification of a minimum endurance figure over supply and temperature of 100,000 cycles, with an endurance figure of 700,000 cycles being typical of operation at  $25^{\circ}\text{C}$ .

Retention quantifies the ability of the Flash/EE memory to retain its programmed data over time. Again, the ADuC816 has been qualified in accordance with the formal JEDEC Retention Lifetime Specification (A117) at a specific junction temperature ( $T_J = 55^{\circ}\text{C}$ ). As part of this qualification procedure, the Flash/EE memory is cycled to its specified endurance limit described above, before data retention is characterized. This means that the Flash/EE memory is guaranteed to retain its data for its full specified retention lifetime every time the Flash/EE memory is reprogrammed. It should also be noted that retention lifetime, based on an activation energy of 0.6 eV, will derate with  $T_J$  as shown in Figure 26.

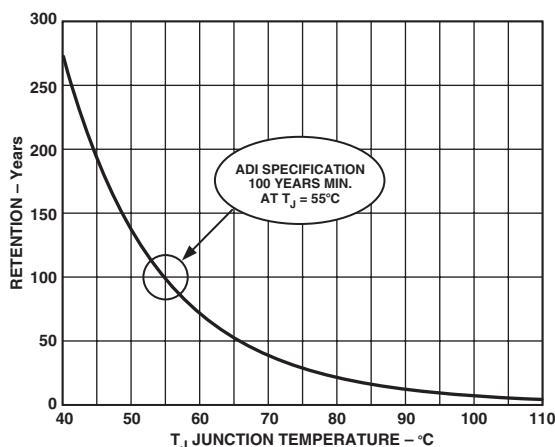


Figure 26. Flash/EE Memory Data Retention

# ADuC816

## Using the Flash/EE Program Memory

The 8 Kbyte Flash/EE Program Memory array is mapped into the lower 8 Kbytes of the 64 Kbytes program space addressable by the ADuC816, and is used to hold user code in typical applications.

The program memory Flash/EE memory arrays can be programmed in one of two modes, namely:

### Serial Downloading (In-Circuit Programming)

As part of its factory boot code, the ADuC816 facilitates serial code download via the standard UART serial port. Serial download mode is automatically entered on power-up if the external pin,  $\overline{\text{PSEN}}$ , is pulled low through an external resistor as shown in Figure 27. Once in this mode, the user can download code to the program memory array while the device is sited in its target application hardware. A PC serial download executable is provided as part of the ADuC816 QuickStart development system. The Serial Download protocol is detailed in a MicroConverter Applications Note uC004 available from the ADI MicroConverter Website at [www.analog.com/microconverter](http://www.analog.com/microconverter).

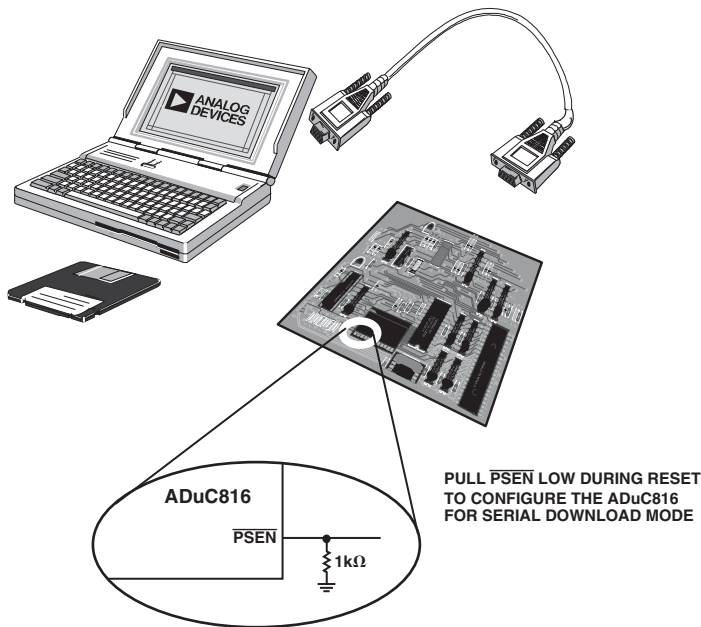


Figure 27. Flash/EE Memory Serial Download Mode Programming

### Parallel Programming

The parallel programming mode is fully compatible with conventional third party Flash or EEPROM device programmers. A block diagram of the external pin configuration required to support parallel programming is shown in Figure 28. In this mode, Ports 0, 1, and 2 operate as the external data and address bus interface, ALE operates as the Write Enable strobe, and Port 3 is used as a general configuration port that configures the device for various program and erase operations during parallel programming.

The high voltage (12 V) supply required for Flash/EE programming is generated using on-chip charge pumps to supply the high voltage program lines.

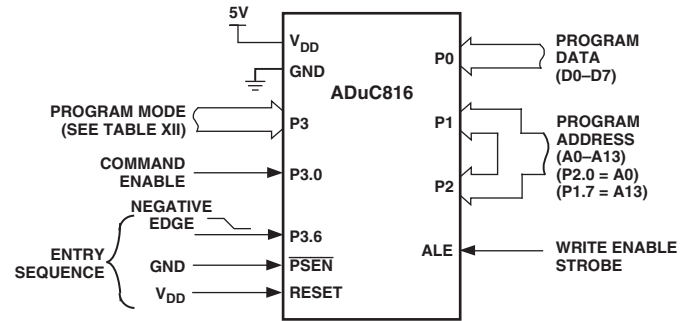


Figure 28. Flash/EE Memory Parallel Programming

Table XII. Flash/EE Memory Parallel Programming Modes

Port 3 Pins							Programming Mode
0.7	0.6	0.5	0.4	0.3	0.2	0.1	
X	X	X	X	0	0	0	Erase Flash/EE Program, Data, and Security Modes
X	X	X	X	0	0	1	Read Device Signature/ID
X	X	X	1	0	1	0	Program Code Byte
X	X	X	0	0	1	0	Program Data Byte
X	X	X	1	0	1	1	Read Code Byte
X	X	X	0	0	1	1	Read Data Byte
X	X	X	X	1	0	0	Program Security Modes
X	X	X	X	1	0	1	Read/Verify Security Modes
All Other Codes							Redundant

### Flash/EE Program Memory Security

The ADuC816 facilitates three modes of Flash/EE program memory security. These modes can be independently activated, restricting access to the internal code space. These security modes can be enabled as part of the user interface available on all ADuC816 serial or parallel programming tools referenced on the MicroConverter web page at [www.analog.com/microconverter](http://www.analog.com/microconverter). The security modes available on the ADuC816 are described as follows:

#### Lock Mode

This mode locks code in memory, disabling parallel programming of the program memory although reading the memory in parallel mode is still allowed. This mode is deactivated by initiating a “code-erase” command in serial download or parallel programming modes.

#### Secure Mode

This mode locks code in memory, disabling parallel programming (program and verify/read commands) as well as disabling the execution of a “MOVC” instruction from external memory, which is attempting to read the op codes from internal memory. This mode is deactivated by initiating a “code-erase” command in serial download or parallel programming modes.

**Serial Safe Mode**

This mode disables serial download capability on the device. If Serial Safe mode is activated and an attempt is made to reset the part into serial download mode, i.e., RESET asserted and deasserted with PSEN low, the part will interpret the serial download reset as a normal reset only. It will, therefore, not enter serial download mode but only execute a normal reset sequence. Serial Safe mode can only be disabled by initiating a code-erase command in parallel programming mode.

**Using the Flash/EE Data Memory**

The user Flash/EE data memory array consists of 640 bytes that are configured into 160 (00H to 9FH) 4-byte pages as shown in Figure 29.

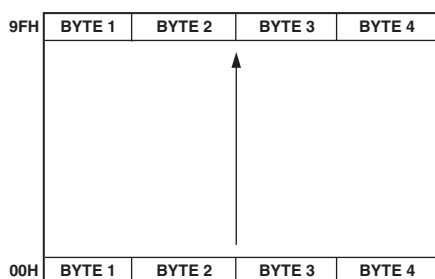


Figure 29. Flash/EE Data Memory Configuration

As with other ADuC816 user-peripheral circuits, the interface to this memory space is via a group of registers mapped in the SFR space. A group of four data registers (EDATA1–4) are used to hold 4-byte page data just accessed. EADRL is used to hold the 8-bit address of the page to be accessed. Finally, ECON is an 8-bit control register that may be written with one of five Flash/EE memory access commands to trigger various read, write, erase, and verify functions. These registers can be summarized as follows:

- ECON: SFR Address: B9H  
Function: Controls access to 640 Bytes Flash/EE Data Space.  
Default: 00H
- EADRL: SFR Address: C6H  
Function: Holds the Flash/EE Data Page Address. (640 Bytes => 160 Page Addresses.)  
Default: 00H
- EDATA 1–4:  
SFR Address: BCH to BFH respectively  
Function: Holds Flash/EE Data memory page write or page read data bytes.  
Default : EDATA1–2 -> 00H  
EDATA3–4 -> 00H

A block diagram of the SFR interface to the Flash/EE Data Memory array is shown in Figure 30.

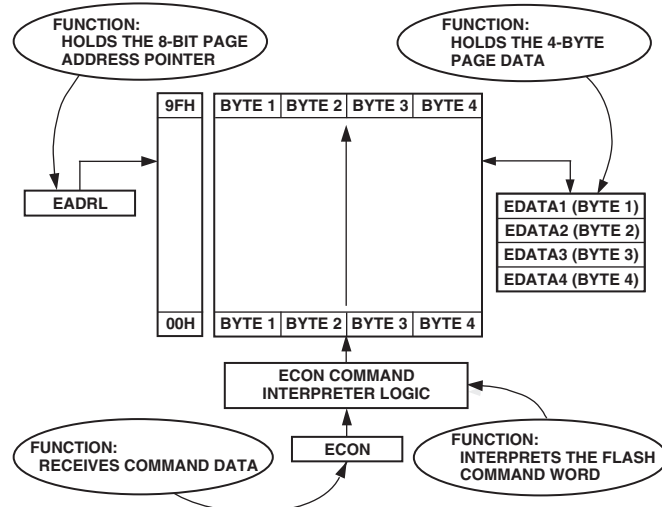


Figure 30. Flash/EE Data Memory Control and Configuration

**ECON—Flash/EE Memory Control SFR**

This SFR acts as a command interpreter and may be written with one of five command modes to enable various read, program and erase cycles as detailed in Table XIII:

**Table XIII. ECON—Flash/EE Memory Control Register Command Modes**

Command Byte	Command Mode
01H	READ COMMAND. Results in four bytes being read into EDATA1–4 from memory page address contained in EADRL.
02H	PROGRAM COMMAND. Results in four bytes (EDATA1–4) being written to memory page address in EADRL. This write command assumes the designated “write” page has been pre-erased.
03H	RESERVED FOR INTERNAL USE. 03H should not be written to the ECON SFR.
04H	VERIFY COMMAND. Allows the user to verify if data in EDATA1–4 is contained in page address designated by EADRL. A subsequent read of the ECON SFR will result in a “zero” being read if the verification is valid, a nonzero value will be read to indicate an invalid verification.
05H	ERASE COMMAND. Results in an erase of the 4-byte page designated in EADRL.
06H	ERASE-ALL COMMAND. Results in erase of the full Flash/EE Data memory 160-page (640 bytes) array.
07H to FFH	RESERVED COMMANDS. Commands reserved for future use.

# ADuC816

## Flash/EE Memory Timing

The typical program/erase times for the Flash/EE Data Memory are:

- Erase Full Array (640 Bytes) – 2 ms
- Erase Single Page (4 Bytes) – 2 ms
- Program Page (4 Bytes) – 250  $\mu$ s
- Read Page (4 Bytes) – Within Single Instruction Cycle

## Using the Flash/EE Memory Interface

As with all Flash/EE memory architectures, the array can be programmed in-system at a byte level, although it must be erased first; the erasure being performed in page blocks (4-byte pages in this case).

A typical access to the Flash/EE Data array will involve setting up the page address to be accessed in the EADRL SFR, configuring the EDATA1–4 with data to be programmed to the array (the EDATA SFRs will not be written for read accesses) and finally, writing the ECON command word which initiates one of the six modes shown in Table XIII.

It should be noted that a given mode of operation is initiated as soon as the command word is written to the ECON SFR. The core microcontroller operation on the ADuC816 is idled until the requested Program/Read or Erase mode is completed.

In practice, this means that even though the Flash/EE memory mode of operation is typically initiated with a two-machine cycle MOV instruction (to write to the ECON SFR), the next instruction will not be executed until the Flash/EE operation is complete (250  $\mu$ s or 2 ms later). This means that the core will not respond to Interrupt requests until the Flash/EE operation is complete, although the core peripheral functions like Counter/Timers will continue to count and time as configured throughout this period.

## Erase-All

Although the 640-byte User Flash/EE array is shipped from the factory pre-erased, i.e., Byte locations set to FFH, it is nonetheless good programming practice to include an erase-all routine as part of any configuration/setup code running on the ADuC816. An “ERASE-ALL” command consists of writing “06H” to the ECON SFR, which initiates an erase of all 640 byte locations in the Flash/EE array. This command coded in 8051 assembly would appear as:

```
MOV ECON, #06H    ; Erase all Command
                  ; 2 ms Duration
```

## Program a Byte

In general terms, a byte in the Flash/EE array can only be programmed if it has previously been erased. To be more specific, a byte can only be programmed if it already holds the value FFH. Because of the Flash/EE architecture, this erasure must happen at a page level; therefore, a minimum of four bytes (1 page) will be erased when an erase command is initiated.

A more specific example of the Program-Byte process is shown below. In this example the user writes F3H into the second byte on Page 03H of the Flash/EE Data Memory space while preserving the other three bytes already in this page. As the user is only required to modify one of the page bytes, the full page must be first read so that this page can then be erased without the existing data being lost.

This example, coded in 8051 assembly, would appear as:

```
MOV EADRL, #03H   ; Set Page Address Pointer
MOV ECON, #01H    ; Read Page
MOV EDATA2, #0F3H ; Write New Byte
MOV ECON, #05H    ; Erase Page
MOV ECON, #02H    ; Write Page (Program Flash/EE)
```



## USER INTERFACE TO OTHER ON-CHIP ADuC816 PERIPHERALS

The following section gives a brief overview of the various peripherals also available on-chip. A summary of the SFRs used to control and configure these peripherals is also given.

### DAC

The ADuC816 incorporates a 12-bit, voltage output DAC on-chip. It has a rail-to-rail voltage output buffer capable of

driving 10 k $\Omega$ /100 pF. It has two selectable ranges, 0 V to  $V_{REF}$  (the internal bandgap 2.5 V reference) and 0 V to  $AV_{DD}$ . It can operate in 12-bit or 8-bit mode. The DAC has a control register, DACCON, and two data registers, DACH/L. The DAC output can be programmed to appear at Pin 3 or Pin 12. It should be noted that in 12-bit mode, the DAC voltage output will be updated as soon as the DACL data SFR has been written; therefore, the DAC data registers should be updated as DACH first followed by DACL.

<b>DACCON</b>	<b>DAC Control Register</b>
SFR Address	FDH
Power-On Default Value	00H
Bit Addressable	No

---	---	---	<b>DACPIN</b>	<b>DAC8</b>	<b>DACRN</b>	$\overline{\text{DACCLR}}$	<b>DACEN</b>
-----	-----	-----	---------------	-------------	--------------	----------------------------	--------------

**Table XIV. DACCON SFR Bit Designations**

Bit	Name	Description
7	---	Reserved for Future Use.
6	---	Reserved for Future Use.
5	---	Reserved for Future Use.
4	DACPIN	DAC Output Pin Select. <i>Set</i> by the user to direct the DAC output to Pin 12 (P1.7/AIN4/DAC). <i>Cleared</i> by user to direct the DAC output to Pin 3 (P1.2/DAC/IEXC1).
3	DAC8	DAC 8-bit Mode Bit. <i>Set</i> by user to enable 8-bit DAC operation. In this mode the 8-bits in DACL SFR are routed to the 8 MSBs of the DAC and the 4 LSBs of the DAC are set to zero.
2	DACRN	DAC Output Range Bit. <i>Set</i> by user to configure DAC range of 0 – $AV_{DD}$ . <i>Cleared</i> by user to configure DAC range of 0 – 2.5 V.
1	$\overline{\text{DACCLR}}$	DAC Clear Bit. <i>Set</i> to “1” by user to enable normal DAC operation. <i>Cleared</i> to “0” by user to reset DAC data registers DACI/H to zero.
0	DACEN	DAC Enable Bit. <i>Set</i> to “1” by user to enable normal DAC operation. <i>Cleared</i> to “0” by user to power-down the DAC.

<b>DACH/L</b>	<b>DAC Data Registers</b>
Function	DAC Data Registers, written by user to update the DAC output.
SFR Address	DACL (DAC Data Low Byte)   ->FBH DACH (DAC Data High Byte)   ->FCH
Power-On Default Value	00H                               ->Both Registers
Bit Addressable	No                                 ->Both Registers

The 12-bit DAC data should be written into DACH/L right-justified such that DACL contains the lower eight bits, and the lower nibble of DACH contains the upper four bits.

# ADuC816

## On-Chip PLL

The ADuC816 is intended for use with a 32.768 kHz watch crystal. A PLL locks onto a multiple (384) of this to provide a stable 12.582912 MHz clock for the system. The core can operate at this frequency or at binary submultiples of it to allow power saving in cases where maximum core performance is not

required. The default core clock is the PLL clock divided by 8 or 1.572864 MHz. The ADC clocks are also derived from the PLL clock, with the modulator rate being the same as the crystal oscillator frequency. The above choice of frequencies ensures that the modulators and the core will be synchronous, regardless of the core clock rate. The PLL control register is PLLCON.

<b>PLLCON</b>	<b>PLL Control Register</b>
SFR Address	D7H
Power-On Default Value	03H
Bit Addressable	No

<b>OSC_PD</b>	<b>LOCK</b>	<b>---</b>	<b><math>\overline{\text{LTEA}}</math></b>	<b>FINT</b>	<b>CD2</b>	<b>CD1</b>	<b>CD0</b>
---------------	-------------	------------	--	-------------	------------	------------	------------

**Table XV. PLLCON SFR Bit Designations**

Bit	Name	Description			
7	OSC_PD	Oscillator Power-Down Bit. <i>Set</i> by user to halt the 32 kHz oscillator in power-down mode. <i>Cleared</i> by user to enable the 32 kHz oscillator in power-down mode. This feature allows the TIC to continue counting even in power-down mode.			
6	LOCK	PLL Lock Bit. This is a read only bit. <i>Set</i> automatically at power-on to indicate the PLL loop is correctly tracking the crystal clock. If the external crystal becomes subsequently disconnected the PLL will rail and the core will halt. <i>Cleared</i> automatically at power-on to indicate the PLL is not correctly tracking the crystal clock. This may be due to the absence of a crystal clock or an external crystal at power-on. In this mode, the PLL output can be 12.58 MHz $\pm$ 20%.			
5	---	Reserved for future use; should be written with "0."			
4	$\overline{\text{LTEA}}$	Reading this bit returns the state of the external EA pin latched at reset or power-on.			
3	FINT	Fast Interrupt Response Bit. <i>Set</i> by user enabling the response to any interrupt to be executed at the fastest core clock frequency, regardless of the configuration of the CD2–0 bits (see below). Once user code has returned from an interrupt, the core resumes code execution at the core clock selected by the CD2–0 bits. <i>Cleared</i> by user to disable the fast interrupt response feature.			
2	CD2	CPU (Core Clock) Divider Bits. This number determines the frequency at which the microcontroller core will operate.			
1	CD1				
0	CD0				
	CD2		CD1	CD0	Core Clock Frequency (MHz)
	0		0	0	12.582912
	0		0	1	6.291456
	0		1	0	3.145728
	0		1	1	1.572864 (Default Core Clock Frequency)
	1	0	0	0.786432	
	1	0	1	0.393216	
	1	1	0	0.196608	
	1	1	1	0.098304	

**Time Interval Counter (TIC)**

A time interval counter is provided on-chip for counting longer intervals than the standard 8051-compatible timers are capable of. The TIC is capable of timeout intervals ranging from 1/128th second to 255 hours. Furthermore, this counter is clocked by the crystal oscillator rather than the PLL and thus has the ability to remain active in power-down mode and time long power-down intervals. This has obvious applications for remote battery-powered sensors where regular widely spaced readings are required.

Six SFRs are associated with the time interval counter, TIMECON being its control register. Depending on the configuration of the IT0 and IT1 bits in TIMECON, the selected time counter register

overflow will clock the interval counter. When this counter is equal to the time interval value loaded in the INTVAL SFR, the TII bit (TIMECON.2) is set and generates an interrupt if enabled (See IEIP2 SFR description under Interrupt System later in this data sheet.) If the ADuC816 is in power-down mode, again with TIC interrupt enabled, the TII bit will wake up the device and resume code execution by vectoring directly to the TIC interrupt service vector address at 0053 hex. The TIC-related SFRs are described in Table XVI. Note also that the timebase SFRs can be written initially with the current time, the TIC can then be controlled and accessed by user software. In effect, this facilitates the implementation of a real-time clock. A block diagram of the TIC is shown in Figure 31.

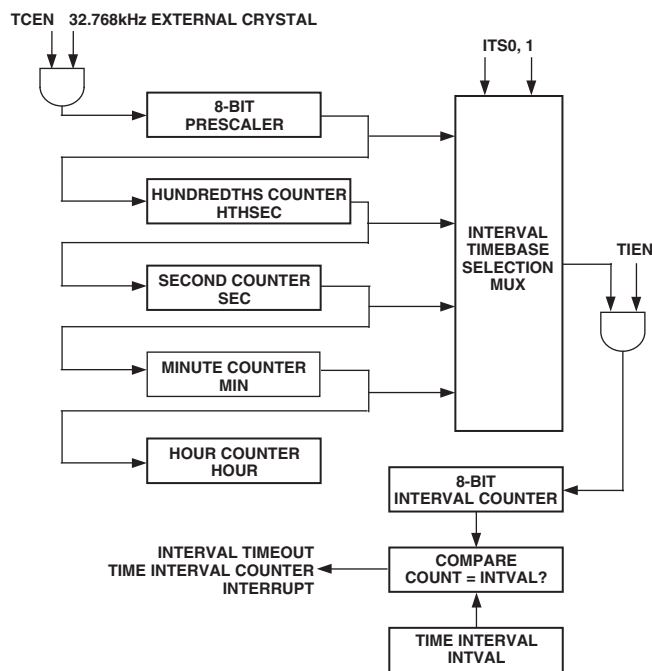


Figure 31. TIC, Simplified Block Diagram

# ADuC816

**TIMECON**  
SFR Address  
Power-On Default Value  
Bit Addressable

**TIC CONTROL REGISTER**  
A1H  
00H  
No

---	---	<b>ITS1</b>	<b>ITS0</b>	<b>STI</b>	<b>TII</b>	<b>TIEN</b>	<b>TCEN</b>
-----	-----	-------------	-------------	------------	------------	-------------	-------------

**Table XVI. TIMECON SFR Bit Designations**

Bit	Name	Description															
7	---	Reserved for Future Use.															
6	---	Reserved for Future Use. For future product code compatibility this bit should be written as a '1.'															
5	ITS1	Interval Timebase Selection Bits.															
4	ITS0	Written by user to determine the interval counter update rate.															
		<table border="0"> <tr> <td>ITS1</td> <td>ITS0</td> <td>Interval Timebase</td> </tr> <tr> <td>0</td> <td>0</td> <td>1/128 Second</td> </tr> <tr> <td>0</td> <td>1</td> <td>Seconds</td> </tr> <tr> <td>1</td> <td>0</td> <td>Minutes</td> </tr> <tr> <td>1</td> <td>1</td> <td>Hours</td> </tr> </table>	ITS1	ITS0	Interval Timebase	0	0	1/128 Second	0	1	Seconds	1	0	Minutes	1	1	Hours
ITS1	ITS0	Interval Timebase															
0	0	1/128 Second															
0	1	Seconds															
1	0	Minutes															
1	1	Hours															
3	STI	Single Time Interval Bit. <i>Set</i> by user to generate a single interval timeout. If set, a timeout will clear the TIEN bit. <i>Cleared</i> by user to allow the interval counter to be automatically reloaded and start counting again at each interval timeout.															
2	TII	TIC Interrupt Bit. <i>Set</i> when the 8-bit Interval Counter matches the value in the INTVAL SFR. <i>Cleared</i> by user software.															
1	TIEN	Time Interval Enable Bit. <i>Set</i> by user to enable the 8-bit time interval counter. <i>Cleared</i> by user to disable and clear the contents of the interval counter.															
0	TCEN	Time Clock Enable Bit. <i>Set</i> by user to enable the time clock to the time interval counters. <i>Cleared</i> by user to disable the clock to the time interval counters and clear the time interval SFRs. The time registers (HTHSEC, SEC, MIN and HOUR) can be written while TCEN is low.															

**INTVAL**

Function

SFR Address

Power-On Default Value

Bit Addressable

Valid Value

**User Time Interval Select Register**

User code writes the required time interval to this register. When the 8-bit interval counter is equal to the time interval value loaded in the INTVAL SFR, the TII bit (TIMECON.2) bit is set and generates an interrupt if enabled. (See IEIP2 SFR description under Interrupt System later in this data sheet.)

A6H

00H

No

0 to 255 decimal

**HTHSEC**

Function

SFR Address

Power-On Default Value

Bit Addressable

Valid Value

**Hundredths Seconds Time Register**

This register is incremented in (1/128) second intervals once TCEN in TIMECON is active. The HTHSEC SFR counts from 0 to 127 before rolling over to increment the SEC time register.

A2H

00H

No

0 to 127 decimal

**SEC**

Function

SFR Address

Power-On Default Value

Bit Addressable

Valid Value

**Seconds Time Register**

This register is incremented in 1-second intervals once TCEN in TIMECON is active. The SEC SFR counts from 0 to 59 before rolling over to increment the MIN time register.

A3H

00H

No

0 to 59 decimal

**MIN**

Function

SFR Address

Power-On Default Value

Bit Addressable

Valid Value

**Minutes Time Register**

This register is incremented in 1-minute intervals once TCEN in TIMECON is active. The MIN counts from 0 to 59 before rolling over to increment the HOUR time register.

A4H

00H

No

0 to 59 decimal

**HOUR**

Function

SFR Address

Power-On Default Value

Bit Addressable

Valid Value

**Hours Time Register**

This register is incremented in 1-hour intervals once TCEN in TIMECON is active. The HOUR SFR counts from 0 to 23 before rolling over to 0.

A5H

00H

No

0 to 23 decimal

# ADuC816

## Watchdog Timer

The purpose of the watchdog timer is to generate a device reset or interrupt within a reasonable amount of time if the ADuC816 enters an erroneous state, possibly due to a programming error, electrical noise, or RFI. The Watchdog function can be disabled by clearing the WDE (Watchdog Enable) bit in the Watchdog Control (WDCON) SFR. When enabled; the watchdog circuit will generate a system reset or interrupt (WDS) if the user program fails to set the watchdog (WDE) bit within a predetermined amount of time

(see PRE3–0 bits in WDCON). The watchdog timer itself is a 16-bit counter that is clocked at 32.768 kHz. The watchdog time-out interval can be adjusted via the PRE3–0 bits in WDCON. Full Control and Status of the watchdog timer function can be controlled via the watchdog timer control SFR (WDCON). The WDCON SFR can only be written by user software if the double write sequence described in WDWR below is initiated on every write access to the WDCON SFR.

WDCON	Watchdog Timer Control Register
SFR Address	C0H
Power-On Default Value	10H
Bit Addressable	Yes

PRE3	PRE2	PRE1	PRE0	WDIR	WDS	WDE	WDWR
------	------	------	------	------	-----	-----	------

**Table XVII. WDCON SFR Bit Designations**

Bit	Name	Description																																																												
7	PRE3	Watchdog Timer Prescale Bits. The Watchdog timeout period is given by the equation: $t_{WD} = (2^{PRE} \times (2^9/f_{PLL}))$ ( $0 \leq PRE \leq 7$ ; $f_{PLL} = 32.768 \text{ kHz}$ )																																																												
6	PRE2																																																													
5	PRE1																																																													
4	PRE0																																																													
		<table border="1"> <thead> <tr> <th>PRE3</th> <th>PRE2</th> <th>PRE1</th> <th>PRE0</th> <th>Timeout Period (ms)</th> <th>Action</th> </tr> </thead> <tbody> <tr> <td>0</td> <td>0</td> <td>0</td> <td>0</td> <td>15.6</td> <td>Reset or Interrupt</td> </tr> <tr> <td>0</td> <td>0</td> <td>0</td> <td>1</td> <td>31.2</td> <td>Reset or Interrupt</td> </tr> <tr> <td>0</td> <td>0</td> <td>1</td> <td>0</td> <td>62.5</td> <td>Reset or Interrupt</td> </tr> <tr> <td>0</td> <td>0</td> <td>1</td> <td>1</td> <td>125</td> <td>Reset or Interrupt</td> </tr> <tr> <td>0</td> <td>1</td> <td>0</td> <td>0</td> <td>250</td> <td>Reset or Interrupt</td> </tr> <tr> <td>0</td> <td>1</td> <td>0</td> <td>1</td> <td>500</td> <td>Reset or Interrupt</td> </tr> <tr> <td>0</td> <td>1</td> <td>1</td> <td>0</td> <td>1000</td> <td>Reset or Interrupt</td> </tr> <tr> <td>0</td> <td>1</td> <td>1</td> <td>1</td> <td>2000</td> <td>Reset or Interrupt</td> </tr> <tr> <td>1</td> <td>0</td> <td>0</td> <td>0</td> <td>0.0</td> <td>Immediate Reset</td> </tr> </tbody> </table>	PRE3	PRE2	PRE1	PRE0	Timeout Period (ms)	Action	0	0	0	0	15.6	Reset or Interrupt	0	0	0	1	31.2	Reset or Interrupt	0	0	1	0	62.5	Reset or Interrupt	0	0	1	1	125	Reset or Interrupt	0	1	0	0	250	Reset or Interrupt	0	1	0	1	500	Reset or Interrupt	0	1	1	0	1000	Reset or Interrupt	0	1	1	1	2000	Reset or Interrupt	1	0	0	0	0.0	Immediate Reset
PRE3	PRE2	PRE1	PRE0	Timeout Period (ms)	Action																																																									
0	0	0	0	15.6	Reset or Interrupt																																																									
0	0	0	1	31.2	Reset or Interrupt																																																									
0	0	1	0	62.5	Reset or Interrupt																																																									
0	0	1	1	125	Reset or Interrupt																																																									
0	1	0	0	250	Reset or Interrupt																																																									
0	1	0	1	500	Reset or Interrupt																																																									
0	1	1	0	1000	Reset or Interrupt																																																									
0	1	1	1	2000	Reset or Interrupt																																																									
1	0	0	0	0.0	Immediate Reset																																																									
3	WDIR	PRE3–0 > 1001 Watchdog Interrupt Response Enable Bit. If this bit is set by the user, the watchdog will generate an interrupt response instead of a system reset when the watchdog timeout period has expired. This interrupt is not disabled by the CLR EA instruction and it is also a fixed, high-priority interrupt. If the watchdog is not being used to monitor the system, it can alternatively be used as a timer. The prescaler is used to set the timeout period in which an interrupt will be generated. (See also Note 1, Table XXXIV in the Interrupt System section.)																																																												
2	WDS	Watchdog Status Bit. <i>Set</i> by the Watchdog Controller to indicate that a watchdog timeout has occurred. <i>Cleared</i> by writing a “0” or by an external hardware reset. It is not cleared by a watchdog reset.																																																												
1	WDE	Watchdog Enable Bit. <i>Set</i> by user to enable the watchdog and clear its counters. If this bit is not set by the user within the watchdog timeout period, the watchdog will generate a reset or interrupt, depending on WDIR. <i>Cleared</i> under the following conditions, User writes “0,” Watchdog Reset (WDIR = “0”); Hardware Reset; PSM Interrupt.																																																												
0	WDWR	Watchdog Write Enable Bit. To write data into the WDCON SFR involves a double instruction sequence. The WDWR bit must be set and the very next instruction must be a write instruction to the WDCON SFR. e.g., <table border="0"> <tr> <td>CLR</td> <td>EA</td> <td>;</td> <td>disable interrupts while writing to WDT</td> </tr> <tr> <td>SETB</td> <td>WDWR</td> <td>;</td> <td>allow write to WDCON</td> </tr> <tr> <td>MOV</td> <td>WDCON, #72h</td> <td>;</td> <td>enable WDT for 2.0s timeout</td> </tr> <tr> <td>SET B</td> <td>EA</td> <td>;</td> <td>enable interrupts again (if rqd)</td> </tr> </table>	CLR	EA	;	disable interrupts while writing to WDT	SETB	WDWR	;	allow write to WDCON	MOV	WDCON, #72h	;	enable WDT for 2.0s timeout	SET B	EA	;	enable interrupts again (if rqd)																																												
CLR	EA	;	disable interrupts while writing to WDT																																																											
SETB	WDWR	;	allow write to WDCON																																																											
MOV	WDCON, #72h	;	enable WDT for 2.0s timeout																																																											
SET B	EA	;	enable interrupts again (if rqd)																																																											

## Power Supply Monitor

As its name suggests, the Power Supply Monitor, once enabled, monitors both supplies (AVDD or DVDD) on the ADuC816. It will indicate when any of the supply pins drop below one of four user-selectable voltage trip points from 2.63 V to 4.63 V. For correct operation of the Power Supply Monitor function, AV<sub>DD</sub> must be equal to or greater than 2.7 V. Monitor function is controlled via the PSMCON SFR. If enabled via the IEIP2 SFR, the monitor will interrupt the core using the PSMI bit in the

PSMCON SFR. This bit will not be cleared until the failing power supply has returned above the trip point for at least 250 ms. This monitor function allows the user to save working registers to avoid possible data loss due to the low supply condition, and also ensures that normal code execution will not resume until a safe supply level has been well established. The supply monitor is also protected against spurious glitches triggering the interrupt circuit.

<b>PSMCON</b>	<b>Power Supply Monitor Control Register</b>
SFR Address	DFH
Power-On Default Value	DEH
Bit Addressable	No

<b>CMPD</b>	<b>CMPA</b>	<b>PSMI</b>	<b>TPD1</b>	<b>TPD0</b>	<b>TPA1</b>	<b>TPA0</b>	<b>PSMEN</b>
-------------	-------------	-------------	-------------	-------------	-------------	-------------	--------------

**Table XVIII. PSMCON SFR Bit Designations**

Bit	Name	Description															
7	CMPD	DVDD Comparator Bit. This is a read-only bit and directly reflects the state of the DVDD comparator. Read “1” indicates the DVDD supply is above its selected trip point. Read “0” indicates the DVDD supply is below its selected trip point.															
6	CMPA	AVDD Comparator Bit. This is a read-only bit and directly reflects the state of the AVDD comparator. Read “1” indicates the AVDD supply is above its selected trip point. Read “0” indicates the AVDD supply is below its selected trip point.															
5	PSMI	Power Supply Monitor Interrupt Bit. This bit will be set high by the MicroConverter if either CMPA or CMPD are low, indicating low analog or digital supply. The PSMI bit can be used to interrupt the processor. Once CMPD and/or CMPA return (and remain) high, a 250 ms counter is started. When this counter times out, the PSMI interrupt is cleared. PSMI can also be written by the user. However, if either comparator output is low, it is not possible for the user to clear PSMI.															
4	TPD1	DVDD Trip Point Selection Bits. These bits select the DVDD trip-point voltage as follows: <table border="0" style="margin-left: 20px;"> <tr> <td style="text-align: right;">TPD1</td> <td style="text-align: right;">TPD0</td> <td style="text-align: left;">Selected DVDD Trip Point (V)</td> </tr> <tr> <td style="text-align: right;">0</td> <td style="text-align: right;">0</td> <td style="text-align: left;">4.63</td> </tr> <tr> <td style="text-align: right;">0</td> <td style="text-align: right;">1</td> <td style="text-align: left;">3.08</td> </tr> <tr> <td style="text-align: right;">1</td> <td style="text-align: right;">0</td> <td style="text-align: left;">2.93</td> </tr> <tr> <td style="text-align: right;">1</td> <td style="text-align: right;">1</td> <td style="text-align: left;">2.63</td> </tr> </table>	TPD1	TPD0	Selected DVDD Trip Point (V)	0	0	4.63	0	1	3.08	1	0	2.93	1	1	2.63
TPD1	TPD0		Selected DVDD Trip Point (V)														
0	0	4.63															
0	1	3.08															
1	0	2.93															
1	1	2.63															
3	TPD0																
2	TPA1	AVDD Trip Point Selection Bits. These bits select the AVDD trip-point voltage as follows: <table border="0" style="margin-left: 20px;"> <tr> <td style="text-align: right;">TPA1</td> <td style="text-align: right;">TPA0</td> <td style="text-align: left;">Selected AVDD Trip Point (V)</td> </tr> <tr> <td style="text-align: right;">0</td> <td style="text-align: right;">0</td> <td style="text-align: left;">4.63</td> </tr> <tr> <td style="text-align: right;">0</td> <td style="text-align: right;">1</td> <td style="text-align: left;">3.08</td> </tr> <tr> <td style="text-align: right;">1</td> <td style="text-align: right;">0</td> <td style="text-align: left;">2.93</td> </tr> <tr> <td style="text-align: right;">1</td> <td style="text-align: right;">1</td> <td style="text-align: left;">2.63</td> </tr> </table>	TPA1	TPA0	Selected AVDD Trip Point (V)	0	0	4.63	0	1	3.08	1	0	2.93	1	1	2.63
TPA1	TPA0		Selected AVDD Trip Point (V)														
0	0	4.63															
0	1	3.08															
1	0	2.93															
1	1	2.63															
1	TPA0																
0	PSMEN	Power Supply Monitor Enable Bit. Set to “1” by the user to enable the Power Supply Monitor Circuit. Cleared to “0” by the user to disable the Power Supply Monitor Circuit.															

# ADuC816

## SERIAL PERIPHERAL INTERFACE

The ADuC816 integrates a complete hardware Serial Peripheral Interface (SPI) interface on-chip. SPI is an industry standard synchronous serial interface that allows eight bits of data to be synchronously transmitted and received simultaneously, i.e., full duplex. It should be noted that the SPI physical interface is shared with the I<sup>2</sup>C interface and therefore the user can only enable one or the other interface at any given time (see SPE in SPICON below). The system can be configured for Master or Slave operation and typically consists of four pins, namely:

### MISO (Master In, Slave Out Data I/O Pin), Pin 14

The MISO (master in slave out) pin is configured as an input line in master mode and an output line in slave mode. The MISO line on the master (data in) should be connected to the MISO line in the slave device (data out). The data is transferred as byte wide (8-bit) serial data, MSB first.

### MOSI (Master Out, Slave In Pin), Pin 27

The MOSI (master out slave in) pin is configured as an output line in master mode and an input line in slave mode. The MOSI line on the master (data out) should be connected to the MOSI line in the slave device (data in). The data is transferred as byte wide (8-bit) serial data, MSB first.

### SCLOCK (Serial Clock I/O Pin), Pin 26

The master clock (SCLOCK) is used to synchronize the data being transmitted and received through the MOSI and MISO data lines. A single data bit is transmitted and received in

each SCLOCK period. Therefore, a byte is transmitted/received after eight SCLOCK periods. The SCLOCK pin is configured as an output in master mode and as an input in slave mode. In master mode the bit-rate, polarity and phase of the clock are controlled by the CPOL, CPHA, SPR0 and SPR1 bits in the SPICON SFR (see Table XIX below). In slave mode the SPICON register will have to be configured with the phase and polarity (CPHA and CPOL) of the expected input clock. In both master and slave mode the data is transmitted on one edge of the SCLOCK signal and sampled on the other. It is important therefore that the CPHA and CPOL are configured the same for the master and slave devices.

### $\overline{SS}$ (Slave Select Input Pin), Pin 13

The Slave Select ( $\overline{SS}$ ) input pin is only used when the ADuC816 is configured in slave mode to enable the SPI peripheral. This line is active low. Data is only received or transmitted in slave mode when the  $\overline{SS}$  pin is low, allowing the ADuC816 to be used in single master, multislave SPI configurations. If CPHA = 1 then the  $\overline{SS}$  input may be permanently pulled low. With CPHA = 0 then the  $\overline{SS}$  input must be driven low before the first bit in a byte wide transmission or reception and return high again after the last bit in that byte wide transmission or reception. In SPI Slave Mode, the logic level on the external  $\overline{SS}$  pin (Pin 13), can be read via the SPR0 bit in the SPICON SFR.

The following SFR registers are used to control the SPI interface.

<b>SPICON:</b>	<b>SPI Control Register</b>
SFR Address	F8H
Power-On Default Value	04H
Bit Addressable	Yes

<b>ISPI</b>	<b>WCOL</b>	<b>SPE</b>	<b>SPIM</b>	<b>CPOL</b>	<b>CPHA</b>	<b>SPR1</b>	<b>SPR0</b>
-------------	-------------	------------	-------------	-------------	-------------	-------------	-------------

**Table XIX. SPICON SFR Bit Designations**

Bit	Name	Description
7	ISPI	SPI Interrupt Bit. <i>Set</i> by MicroConverter at the end of each SPI transfer. <i>Cleared</i> directly by user code or indirectly by reading the SPIDAT SFR
6	WCOL	Write Collision Error Bit. <i>Set</i> by MicroConverter if SPIDAT is written to while an SPI transfer is in progress. <i>Cleared</i> by user code.
5	SPE	SPI Interface Enable Bit. <i>Set</i> by user to enable the SPI interface. <i>Cleared</i> by user to enable the I <sup>2</sup> C interface.
4	SPIM	SPI Master/Slave Mode Select Bit. <i>Set</i> by user to enable Master Mode operation (SCLOCK is an output). <i>Cleared</i> by user to enable Slave Mode operation (SCLOCK is an input).
3	CPOL	Clock Polarity Select Bit. <i>Set</i> by user if SCLOCK idles high. <i>Cleared</i> by user if SCLOCK idles low.
2	CPHA	Clock Phase Select Bit. <i>Set</i> by user if leading SCLOCK edge is to transmit data. <i>Cleared</i> by user if trailing SCLOCK edge is to transmit data.



**Table XIX. SPICON SFR Bit Designations (continued)**

Bit	Name	Description															
1	SPR1	SPI Bit-Rate Select Bits.															
0	SPR0	These bits select the SCLOCK rate (bit-rate) in Master Mode as follows: <table border="1" style="margin-left: 20px;"> <thead> <tr> <th>SPR1</th> <th>SPR0</th> <th>Selected Bit Rate</th> </tr> </thead> <tbody> <tr> <td>0</td> <td>0</td> <td><math>f_{CORE}/2</math></td> </tr> <tr> <td>0</td> <td>1</td> <td><math>f_{CORE}/4</math></td> </tr> <tr> <td>1</td> <td>0</td> <td><math>f_{CORE}/8</math></td> </tr> <tr> <td>1</td> <td>1</td> <td><math>f_{CORE}/16</math></td> </tr> </tbody> </table> In SPI Slave Mode, i.e., $SPIM = 0$ , the logic level on the external $\overline{SS}$ pin (Pin 13), can be read via the SPR0 bit.	SPR1	SPR0	Selected Bit Rate	0	0	$f_{CORE}/2$	0	1	$f_{CORE}/4$	1	0	$f_{CORE}/8$	1	1	$f_{CORE}/16$
SPR1	SPR0	Selected Bit Rate															
0	0	$f_{CORE}/2$															
0	1	$f_{CORE}/4$															
1	0	$f_{CORE}/8$															
1	1	$f_{CORE}/16$															

NOTE  
The CPOL and CPHA bits should both contain the same values for master and slave devices.

**SPIDAT**

Function

SFR Address

Power-On Default Value

Bit Addressable

**SPI Data Register**

The SPIDAT SFR is written by the user to transmit data over the SPI interface or read by user code to read data just received by the SPI interface.

F7H

00H

No

**Using the SPI Interface**

Depending on the configuration of the bits in the SPICON SFR shown in Table XIX, the ADuC816 SPI interface will transmit or receive data in a number of possible modes. Figure 32 shows all possible ADuC816 SPI configurations and the timing relationships and synchronization between the signals involved. Also shown in this figure is the SPI interrupt bit (ISPI) and how it is triggered at the end of each byte-wide communication.

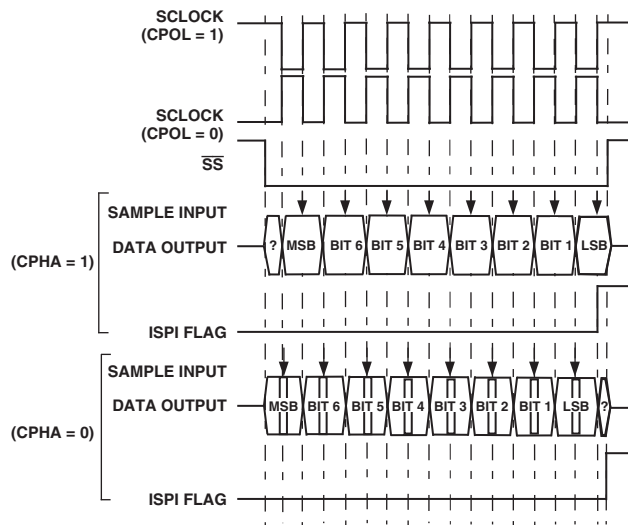


Figure 32. SPI Timing, All Modes

**SPI Interface—Master Mode**

In master mode, the SCLOCK pin is always an output and generates a burst of eight clocks whenever user code writes to the SPIDAT register. The SCLOCK bit rate is determined by SPR0 and SPR1 in SPICON. It should also be noted that the  $\overline{SS}$  pin is not used in master mode. If the ADuC816 needs to assert the  $\overline{SS}$  pin on an external slave device, a Port digital output pin should be used.

In master mode a byte transmission or reception is initiated by a write to SPIDAT. Eight clock periods are generated via the SCLOCK pin and the SPIDAT byte being transmitted via MOSI. With each SCLOCK period a data bit is also sampled via MISO. After eight clocks, the transmitted byte will have been completely transmitted and the input byte will be waiting in the input shift register. The ISPI flag will be set automatically and an interrupt will occur if enabled. The value in the shift register will be latched into SPIDAT.

**SPI Interface—Slave Mode**

In slave mode the SCLOCK is an input. The  $\overline{SS}$  pin must also be driven low externally during the byte communication. Transmission is also initiated by a write to SPIDAT. In slave mode, a data bit is transmitted via MISO and a data bit is received via MOSI through each input SCLOCK period. After eight clocks, the transmitted byte will have been completely transmitted and the input byte will be waiting in the input shift register. The ISPI flag will be set automatically and an interrupt will occur if enabled. The value in the shift register will be latched into SPIDAT only when the transmission/reception of a byte has been completed. The end of transmission occurs after the eighth clock has been received, if CPHA = 1 or when  $\overline{SS}$  returns high if CPHA = 0.

# ADuC816

## I<sup>2</sup>C-COMPATIBLE INTERFACE

The ADuC816 supports a 2-wire serial interface mode which is I<sup>2</sup>C compatible. The I<sup>2</sup>C-compatible interface shares its pins with the on-chip SPI interface and therefore the user can only enable one or the other interface at any given time (see SPE in

SPICON previously). An Application Note describing the operation of this interface as implemented is available from the MicroConverter Website at [www.analog.com/microconverter](http://www.analog.com/microconverter). This interface can be configured as a Software Master or Hardware Slave, and uses two pins in the interface.

SDATA (Pin 27)                      Serial Data I/O Pin  
 SCLOCK (Pin 26)                    Serial Clock

Three SFRs are used to control the I<sup>2</sup>C-compatible interface. These are described below:

**I2CCON:**                              **I<sup>2</sup>C Control Register**  
 SFR Address                            E8H  
 Power-On Default Value              00H  
 Bit Addressable                        Yes

MDO	MDE	MCO	MDI	I2CM	I2CRS	I2CTX	I2CI
-----	-----	-----	-----	------	-------	-------	------

**Table XX. I2CCON SFR Bit Designations**

Bit	Name	Description
7	MDO	I <sup>2</sup> C Software Master Data Output Bit (MASTER MODE ONLY). This data bit is used to implement a master I <sup>2</sup> C transmitter interface in software. Data written to this bit will be output on the SDATA pin if the data output enable (MDE) bit is set.
6	MDE	I <sup>2</sup> C Software Master Data Output Enable Bit (MASTER MODE ONLY). <i>Set</i> by user to enable the SDATA pin as an output (Tx). <i>Cleared</i> by the user to enable SDATA pin as an input (Rx).
5	MCO	I <sup>2</sup> C Software Master Clock Output Bit (MASTER MODE ONLY). This data bit is used to implement a master I <sup>2</sup> C transmitter interface in software. Data written to this bit will be outputted on the SCLOCK pin.
4	MDI	I <sup>2</sup> C Software Master Data Input Bit (MASTER MODE ONLY). This data bit is used to implement a master I <sup>2</sup> C receiver interface in software. Data on the SDATA pin is latched into this bit on SCLOCK if the Data Output Enable (MDE) bit is '0.'
3	I2CM	I <sup>2</sup> C Master/Slave Mode Bit. <i>Set</i> by user to enable I <sup>2</sup> C software master mode. <i>Cleared</i> by user to enable I <sup>2</sup> C hardware slave mode.
2	I2CRS	I <sup>2</sup> C Reset Bit (SLAVE MODE ONLY). <i>Set</i> by user to reset the I <sup>2</sup> C interface. <i>Cleared</i> by user code for normal I <sup>2</sup> C operation.
1	I2CTX	I <sup>2</sup> C Direction Transfer Bit (SLAVE MODE ONLY). <i>Set</i> by the MicroConverter if the interface is transmitting. <i>Cleared</i> by the MicroConverter if the interface is receiving.
0	I2CI	I <sup>2</sup> C Interrupt Bit (SLAVE MODE ONLY). <i>Set</i> by the MicroConverter after a byte has been transmitted or received. <i>Cleared</i> automatically when user code reads the I2CDAT SFR (see I2CDAT below).

**I2CADD**  
Function

**I<sup>2</sup>C Address Register**  
Holds the I<sup>2</sup>C peripheral address for the part. It may be overwritten by user code. Technical Note uC001 at [www.analog.com/microconverter](http://www.analog.com/microconverter) describes the format of the I<sup>2</sup>C standard 7-bit address in detail.

SFR Address                            9BH  
 Power-On Default Value              55H  
 Bit Addressable                        No

**I2CDAT**  
Function

**I<sup>2</sup>C Data Register**  
The I2CDAT SFR is written by the user to transmit data over the I<sup>2</sup>C interface or read by user code to read data just received by the I<sup>2</sup>C interface. Accessing I2CDAT automatically clears any pending I<sup>2</sup>C interrupt and the I2CI bit in the I2CCON SFR. User software should only access I2CDAT once per interrupt cycle.

SFR Address                            9AH  
 Power-On Default Value              00H  
 Bit Addressable                        No

## 8051-COMPATIBLE ON-CHIP PERIPHERALS

This section gives a brief overview of the various secondary peripheral circuits are also available to the user on-chip. These remaining functions are fully 8051-compatible and are controlled via standard 8051 SFR bit definitions.

### Parallel I/O Ports 0–3

The ADuC816 uses four input/output ports to exchange data with external devices. In addition to performing general-purpose I/O, some ports are capable of external memory operations; others are multiplexed with an alternate function for the peripheral features on the device. In general, when a peripheral is enabled, that pin may not be used as a general purpose I/O pin.

Port 0 is an 8-bit open drain bidirectional I/O port that is directly controlled via the Port 0 SFR (SFR address = 80 hex). Port 0 pins that have 1s written to them via the Port 0 SFR will be configured as open drain and will therefore float. In that state, Port 0 pins can be used as high impedance inputs. An external pull-up resistor will be required on Port 0 outputs to force a valid logic high level externally. Port 0 is also the multiplexed low-order address and data bus during accesses to external program or data memory. In this application it uses strong internal pull-ups when emitting 1s.

Port 1 is also an 8-bit port directly controlled via the P1 SFR (SFR address = 90 hex). The Port 1 pins are divided into two distinct pin groupings.

P1.0 and P1.1 pins on Port 1 are bidirectional digital I/O pins with internal pull-ups. If P1.0 and P1.1 have 1s written to them via the P1 SFR, these pins are pulled high by the internal pull-up resistors. In this state they can also be used as inputs; as input pins being externally pulled low, they will source current because of the internal pull-ups. With 0s written to them, both these pins will drive a logic low output voltage (VOL) and will be capable of sinking 10 mA compared to the standard 1.6 mA sink capability on the other port pins. These pins also have various secondary functions described in Table XXI.

**Table XXI. Port 1, Alternate Pin Functions**

Pin	Alternate Function
P1.0	T2 (Timer/Counter 2 External Input)
P1.1	T2EX (Timer/Counter 2 Capture/Reload Trigger)

The remaining Port 1 pins (P1.2–P1.7) can only be configured as Analog Input (ADC), Analog Output (DAC) or Digital Input pins. By (power-on) default these pins are configured as Analog Inputs, i.e., “1” written in the corresponding Port 1 register bit. To configure any of these pins as digital inputs, the user should write a “0” to these port bits to configure the corresponding pin as a high impedance digital input.

Port 2 is a bidirectional port with internal pull-up resistors directly controlled via the P2 SFR (SFR address = A0 hex). Port 2 pins that have 1s written to them are pulled high by the internal pull-up resistors and, in that state, they can be used as inputs. As inputs, Port 2 pins being pulled externally low will source current because of the internal pull-up resistors. Port 2 emits the high order

address bytes during fetches from external program memory and middle and high order address bytes during accesses to the 16-bit external data memory space.

Port 3 is a bidirectional port with internal pull-ups directly controlled via the P2 SFR (SFR address = B0 hex). Port 3 pins that have 1s written to them are pulled high by the internal pull-ups and in that state they can be used as inputs. As inputs, Port 3 pins being pulled externally low will source current because of the internal pull-ups. Port 3 pins also have various secondary functions described in Table XXII.

**Table XXII. Port 3, Alternate Pin Functions**

Pin	Alternate Function
P3.0	RXD (UART Input Pin) (or Serial Data I/O in Mode 0)
P3.1	TXD (UART Output Pin) (or Serial Clock Output in Mode 0)
P3.2	$\overline{\text{INT0}}$ (External Interrupt 0)
P3.3	$\overline{\text{INT1}}$ (External Interrupt 1)
P3.4	T0 (Timer/Counter 0 External Input)
P3.5	T1 (Timer/Counter 1 External Input)
P3.6	$\overline{\text{WR}}$ (External Data Memory Write Strobe)
P3.7	$\overline{\text{RD}}$ (External Data Memory Read Strobe)

The alternate functions of P1.0, P1.1, and Port 3 pins can only be activated if the corresponding bit latch in the P1 and P3 SFRs contains a 1. Otherwise, the port pin is stuck at 0.

### Timers/Counters

The ADuC816 has three 16-bit Timer/Counters: Timer 0, Timer 1, and Timer 2. The Timer/Counter hardware has been included on-chip to relieve the processor core of the overhead inherent in implementing timer/counter functionality in software. Each Timer/Counter consists of two 8-bit registers THx and TLx (x = 0, 1 and 2). All three can be configured to operate either as timers or event counters.

In “Timer” function, the TLx register is incremented every machine cycle. Thus one can think of it as counting machine cycles. Since a machine cycle consists of 12 core clock periods, the maximum count rate is 1/12 of the core clock frequency.

In “Counter” function, the TLx register is incremented by a 1-to-0 transition at its corresponding external input pin, T0, T1, or T2. In this function, the external input is sampled during S5P2 of every machine cycle. When the samples show a high in one cycle and a low in the next cycle, the count is incremented. The new count value appears in the register during S3P1 of the cycle following the one in which the transition was detected. Since it takes two machine cycles (16 core clock periods) to recognize a 1-to-0 transition, the maximum count rate is 1/16 of the core clock frequency. There are no restrictions on the duty cycle of the external input signal, but to ensure that a given level is sampled at least once before it changes, it must be held for a minimum of one full machine cycle. Remember that the core clock frequency is programmed via the CD0–2 selection bits in the PLLCON SFR.

# ADuC816

User configuration and control of all Timer operating modes is achieved via three SFRs namely:

TMOD, TCON: Control and configuration for Timers 0 and 1.  
 T2CON: Control and configuration for Timer 2.

**TMOD** **Timer/Counter 0 and 1 Mode Register**  
 SFR Address 89H  
 Power-On Default Value 00H  
 Bit Addressable No

Gate	C/T	M1	M0	Gate	C/T	M1	M0
------	-----	----	----	------	-----	----	----

**Table XXIII. TMOD SFR Bit Designations**

Bit	Name	Description															
7	Gate	Timer 1 Gating Control. Set by software to enable timer/counter 1 only while $\overline{\text{INT1}}$ pin is high and TR1 control bit is set. Cleared by software to enable timer 1 whenever TR1 control bit is set.															
6	C/T	Timer 1 Timer or Counter Select Bit. Set by software to select counter operation (input from T1 pin). Cleared by software to select timer operation (input from internal system clock).															
5	M1	Timer 1 Mode Select Bit 1 (Used with M0 Bit).															
4	M0	Timer 1 Mode Select Bit 0. <table border="0"> <tr> <td>M1</td> <td>M0</td> <td></td> </tr> <tr> <td>0</td> <td>0</td> <td>TH1 operates as an 8-bit timer/counter. TL1 serves as 5-bit prescaler.</td> </tr> <tr> <td>0</td> <td>1</td> <td>16-Bit Timer/Counter. TH1 and TL1 are cascaded; there is no prescaler.</td> </tr> <tr> <td>1</td> <td>0</td> <td>8-Bit Auto-Reload Timer/Counter. TH1 holds a value which is to be reloaded into TL1 each time it overflows.</td> </tr> <tr> <td>1</td> <td>1</td> <td>Timer/Counter 1 Stopped.</td> </tr> </table>	M1	M0		0	0	TH1 operates as an 8-bit timer/counter. TL1 serves as 5-bit prescaler.	0	1	16-Bit Timer/Counter. TH1 and TL1 are cascaded; there is no prescaler.	1	0	8-Bit Auto-Reload Timer/Counter. TH1 holds a value which is to be reloaded into TL1 each time it overflows.	1	1	Timer/Counter 1 Stopped.
M1	M0																
0	0	TH1 operates as an 8-bit timer/counter. TL1 serves as 5-bit prescaler.															
0	1	16-Bit Timer/Counter. TH1 and TL1 are cascaded; there is no prescaler.															
1	0	8-Bit Auto-Reload Timer/Counter. TH1 holds a value which is to be reloaded into TL1 each time it overflows.															
1	1	Timer/Counter 1 Stopped.															
3	Gate	Timer 0 Gating Control. Set by software to enable timer/counter 0 only while $\overline{\text{INT0}}$ pin is high and TR0 control bit is set. Cleared by software to enable Timer 0 whenever TR0 control bit is set.															
2	C/T	Timer 0 Timer or Counter Select Bit. Set by software to select counter operation (input from T0 pin). Cleared by software to select timer operation (input from internal system clock).															
1	M1	Timer 0 Mode Select Bit 1.															
0	M0	Timer 0 Mode Select Bit 0. <table border="0"> <tr> <td>M1</td> <td>M0</td> <td></td> </tr> <tr> <td>0</td> <td>0</td> <td>TH0 operates as an 8-bit timer/counter. TL0 serves as 5-bit prescaler.</td> </tr> <tr> <td>0</td> <td>1</td> <td>16-Bit Timer/Counter. TH0 and TL0 are cascaded; there is no prescaler.</td> </tr> <tr> <td>1</td> <td>0</td> <td>8-Bit Auto-Reload Timer/Counter. TH0 holds a value which is to be reloaded into TL0 each time it overflows.</td> </tr> <tr> <td>1</td> <td>1</td> <td>TL0 is an 8-bit timer/counter controlled by the standard timer 0 control bits. TH0 is an 8-bit timer only, controlled by Timer 1 control bits.</td> </tr> </table>	M1	M0		0	0	TH0 operates as an 8-bit timer/counter. TL0 serves as 5-bit prescaler.	0	1	16-Bit Timer/Counter. TH0 and TL0 are cascaded; there is no prescaler.	1	0	8-Bit Auto-Reload Timer/Counter. TH0 holds a value which is to be reloaded into TL0 each time it overflows.	1	1	TL0 is an 8-bit timer/counter controlled by the standard timer 0 control bits. TH0 is an 8-bit timer only, controlled by Timer 1 control bits.
M1	M0																
0	0	TH0 operates as an 8-bit timer/counter. TL0 serves as 5-bit prescaler.															
0	1	16-Bit Timer/Counter. TH0 and TL0 are cascaded; there is no prescaler.															
1	0	8-Bit Auto-Reload Timer/Counter. TH0 holds a value which is to be reloaded into TL0 each time it overflows.															
1	1	TL0 is an 8-bit timer/counter controlled by the standard timer 0 control bits. TH0 is an 8-bit timer only, controlled by Timer 1 control bits.															

**TCON: Timer/Counter 0 and 1 Control Register**

SFR Address 88H  
 Power-On Default Value 00H  
 Bit Addressable Yes

TF1	TR1	TF0	TR0	IE1 <sup>1</sup>	IT1 <sup>1</sup>	IE0 <sup>1</sup>	IT0 <sup>1</sup>
-----	-----	-----	-----	------------------	------------------	------------------	------------------

## NOTE

<sup>1</sup>These bits are not used in the control of timer/counter 0 and 1, but are used instead in the control and monitoring of the external  $\overline{\text{INT0}}$  and  $\overline{\text{INT1}}$  interrupt pins.

Table XXIV. TCON SFR Bit Designations

Bit	Name	Description
7	TF1	Timer 1 Overflow Flag. <i>Set</i> by hardware on a timer/counter 1 overflow. <i>Cleared</i> by hardware when the Program Counter (PC) vectors to the interrupt service routine.
6	TR1	Timer 1 Run Control Bit. <i>Set</i> by user to turn on timer/counter 1. <i>Cleared</i> by user to turn off timer/counter 1.
5	TF0	Timer 0 Overflow Flag. <i>Set</i> by hardware on a timer/counter 0 overflow. <i>Cleared</i> by hardware when the PC vectors to the interrupt service routine.
4	TR0	Timer 0 Run Control Bit. <i>Set</i> by user to turn on timer/counter 0. <i>Cleared</i> by user to turn off timer/counter 0.
3	IE1	External Interrupt 1 ( $\overline{\text{INT1}}$ ) Flag. <i>Set</i> by hardware by a falling edge or zero level being applied to external interrupt pin $\overline{\text{INT1}}$ , depending on bit IT1 state. <i>Cleared</i> by hardware when the when the PC vectors to the interrupt service routine only if the interrupt was transition-activated. If level-activated, the external requesting source controls the request flag, rather than the on-chip hardware.
2	IT1	External Interrupt 1 (IE1) Trigger Type. <i>Set</i> by software to specify edge-sensitive detection (i.e., 1-to-0 transition). <i>Cleared</i> by software to specify level-sensitive detection (i.e., zero level).
1	IE0	External Interrupt 0 ( $\overline{\text{INT0}}$ ) Flag. <i>Set</i> by hardware by a falling edge or zero level being applied to external interrupt pin $\overline{\text{INT0}}$ , depending on bit IT0 state. <i>Cleared</i> by hardware when the PC vectors to the interrupt service routine only if the interrupt was transition-activated. If level-activated, the external requesting source controls the request flag, rather than the on-chip hardware.
0	IT0	External Interrupt 0 (IE0) Trigger Type. <i>Set</i> by software to specify edge-sensitive detection (i.e., 1-to-0 transition). <i>Cleared</i> by software to specify level-sensitive detection (i.e., zero level).

**Timer/Counter 0 and 1 Data Registers**

Each timer consists of two 8-bit registers. These can be used as independent registers or combined to be a single 16-bit register depending on the timer mode configuration.

**TH0 and TL0**

Timer 0 high byte and low byte.

SFR Address = 8Chex, 8Ahex respectively.

**TH1 and TL1**

Timer 1 high byte and low byte.

SFR Address = 8Dhex, 8Bhex respectively.

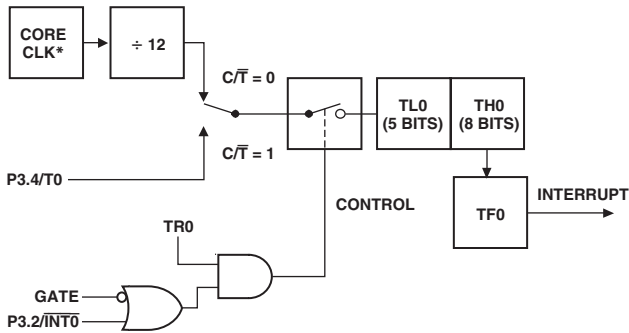
# ADuC816

## TIMER/COUNTER 0 AND 1 OPERATING MODES

The following paragraphs describe the operating modes for timer/counters 0 and 1. Unless otherwise noted, it should be assumed that these modes of operation are the same for timer 0 as for timer 1.

### Mode 0 (13-Bit Timer/Counter)

Mode 0 configures an 8-bit timer/counter with a divide-by-32 prescaler. Figure 33 shows mode 0 operation.



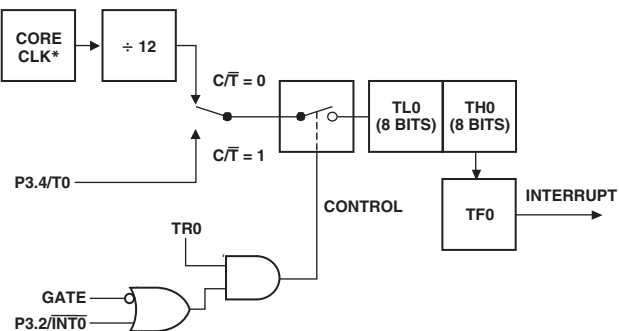
\*THE CORE CLOCK IS THE OUTPUT OF THE PLL AS DESCRIBED ON PAGE 42.

Figure 33. Timer/Counter 0, Mode 0

In this mode, the timer register is configured as a 13-bit register. As the count rolls over from all 1s to all 0s, it sets the timer overflow flag TF0. The overflow flag, TF0, can then be used to request an interrupt. The counted input is enabled to the timer when TR0 = 1 and either Gate = 0 or INT0 = 1. Setting Gate = 1 allows the timer to be controlled by external input INT0, to facilitate pulsewidth measurements. TR0 is a control bit in the special function register TCON; Gate is in TMOD. The 13-bit register consists of all eight bits of TH0 and the lower five bits of TL0. The upper three bits of TL0 are indeterminate and should be ignored. Setting the run flag (TR0) does not clear the registers.

### Mode 1 (16-Bit Timer/Counter)

Mode 1 is the same as Mode 0, except that the timer register is running with all 16 bits. Mode 1 is shown in Figure 34.

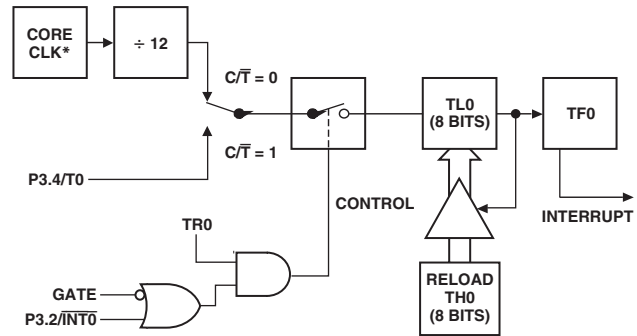


\*THE CORE CLOCK IS THE OUTPUT OF THE PLL AS DESCRIBED ON PAGE 42.

Figure 34. Timer/Counter 0, Mode 1

### Mode 2 (8-Bit Timer/Counter with Autoreload)

Mode 2 configures the timer register as an 8-bit counter (TL0) with automatic reload, as shown in Figure 35. Overflow from TL0 not only sets TF0, but also reloads TL0 with the contents of TH0, which is preset by software. The reload leaves TH0 unchanged.



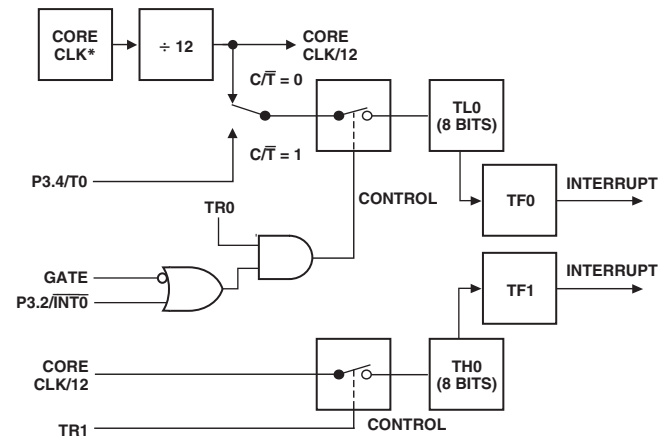
\*THE CORE CLOCK IS THE OUTPUT OF THE PLL AS DESCRIBED ON PAGE 42.

Figure 35. Timer/Counter 0, Mode 2

### Mode 3 (Two 8-Bit Timer/Counters)

Mode 3 has different effects on timer 0 and timer 1. Timer 1 in Mode 3 simply holds its count. The effect is the same as setting TR1 = 0. Timer 0 in Mode 3 establishes TL0 and TH0 as two separate counters. This configuration is shown in Figure 36. TL0 uses the timer 0 control bits: C/T, Gate, TR0, INT0, and TF0. TH0 is locked into a timer function (counting machine cycles) and takes over the use of TR1 and TF1 from timer 1. Thus, TH0 now controls the “timer 1” interrupt. Mode 3 is provided for applications requiring an extra 8-bit timer or counter.

When timer 0 is in Mode 3, timer 1 can be turned on and off by switching it out of, and into, its own Mode 3, or can still be used by the serial interface as a Baud Rate Generator. In fact, it can be used, in any application not requiring an interrupt from timer 1 itself.



\*THE CORE CLOCK IS THE OUTPUT OF THE PLL AS DESCRIBED ON PAGE 42.

Figure 36. Timer/Counter 0, Mode 3

<b>T2CON</b>	<b>Timer/Counter 2 Control Register</b>
SFR Address	C8H
Power-On Default Value	00H
Bit Addressable	Yes

<b>TF2</b>	<b>EXF2</b>	<b>RCLK</b>	<b>TCLK</b>	<b>EXEN2</b>	<b>TR2</b>	<b>CNT2</b>	<b>CAP2</b>
------------	-------------	-------------	-------------	--------------	------------	-------------	-------------

Table XXV. T2CON SFR Bit Designations

Bit	Name	Description
7	TF2	Timer 2 Overflow Flag. <i>Set</i> by hardware on a timer 2 overflow. TF2 will not be set when either RCLK or TCLK = 1. <i>Cleared</i> by user software.
6	EXF2	Timer 2 External Flag. <i>Set</i> by hardware when either a capture or reload is caused by a negative transition on T2EX and EXEN2 = 1. <i>Cleared</i> by user user software.
5	RCLK	Receive Clock Enable Bit. <i>Set</i> by user to enable the serial port to use timer 2 overflow pulses for its receive clock in serial port Modes 1 and 3. <i>Cleared</i> by user to enable timer 1 overflow to be used for the receive clock.
4	TCLK	Transmit Clock Enable Bit. <i>Set</i> by user to enable the serial port to use timer 2 overflow pulses for its transmit clock in serial port Modes 1 and 3. <i>Cleared</i> by user to enable timer 1 overflow to be used for the transmit clock.
3	EXEN2	Timer 2 External Enable Flag. <i>Set</i> by user to enable a capture or reload to occur as a result of a negative transition on T2EX if Timer 2 is not being used to clock the serial port. <i>Cleared</i> by user for Timer 2 to ignore events at T2EX.
2	TR2	Timer 2 Start/Stop Control Bit. <i>Set</i> by user to start timer 2. <i>Cleared</i> by user to stop timer 2.
1	CNT2	Timer 2 Timer or Counter Function Select Bit. <i>Set</i> by user to select counter function (input from external T2 pin). <i>Cleared</i> by user to select timer function (input from on-chip core clock).
0	CAP2	Timer 2 Capture/Reload Select Bit. <i>Set</i> by user to enable captures on negative transitions at T2EX if EXEN2 = 1. <i>Cleared</i> by user to enable auto-reloads with Timer 2 overflows or negative transitions at T2EX when EXEN2 = 1. When either RCLK = 1 or TCLK = 1, this bit is ignored and the timer is forced to autoreload on Timer 2 overflow.

**Timer/Counter 2 Data Registers**

Timer/Counter 2 also has two pairs of 8-bit data registers associated with it. These are used as both timer data registers and timer capture/reload registers.

**TH2 and TL2**

Timer 2, data high byte and low byte.  
SFR Address = CDhex, CChex respectively.

**RCAP2H and RCAP2L**

Timer 2, Capture/Reload byte and low byte.  
SFR Address = CBhex, CAhex respectively.

# ADuC816

## Timer/Counter 2 Operating Modes

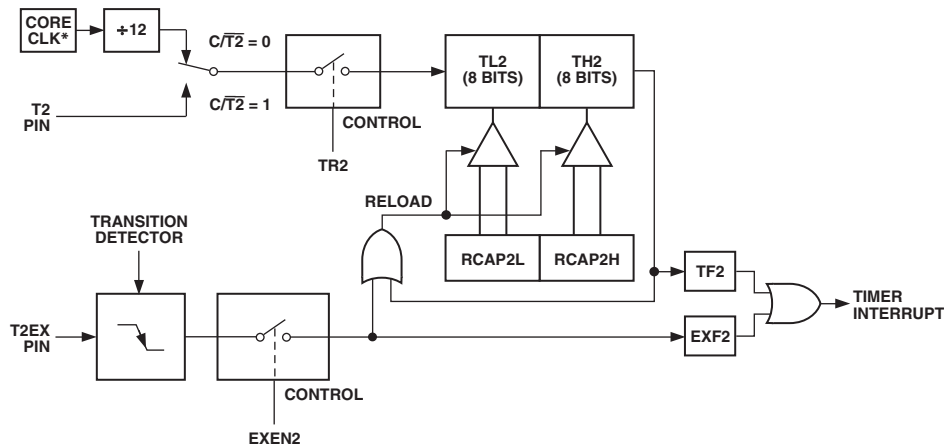
The following paragraphs describe the operating modes for timer/counter 2. The operating modes are selected by bits in the T2CON SFR as shown in Table XXVI.

**Table XXVI. TIMECON SFR Bit Designations**

RCLK (or) TCLK	CAP2	TR2	MODE
0	0	1	16-Bit Autoreload
0	1	1	16-Bit Capture
1	X	1	Baud Rate
X	X	0	OFF

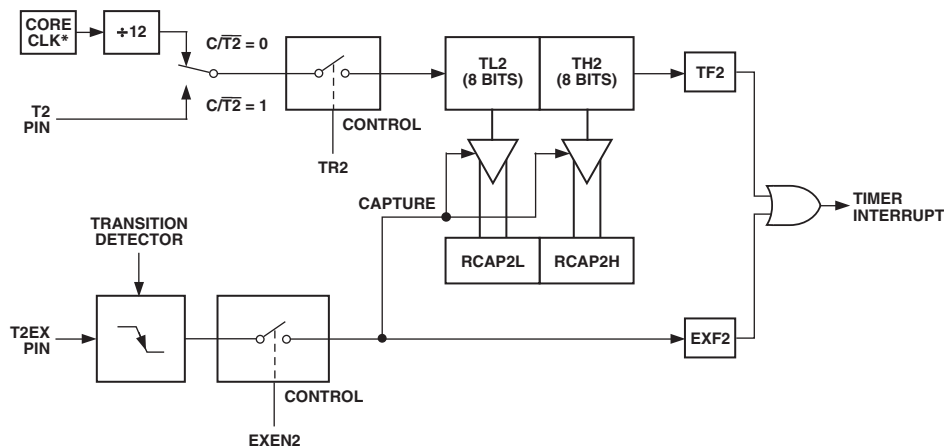
### 16-Bit Autoreload Mode

In “Autoreload” mode, there are two options, which are selected by bit EXEN2 in T2CON. If EXEN2 = 0, then when Timer 2 rolls over it not only sets TF2 but also causes the Timer 2 registers to be reloaded with the 16-bit value in registers RCAP2L and RCAP2H, which are preset by software. If EXEN2 = 1, then Timer 2 still performs the above, but with the added feature that a 1-to-0 transition at external input T2EX will also trigger the 16-bit reload and set EXF2. The autoreload mode is illustrated in Figure 37 below.



\*THE CORE CLOCK IS THE OUTPUT OF THE PLL AS DESCRIBED ON PAGE 42.

*Figure 37. Timer/Counter 2, 16-Bit Autoreload Mode*



\*THE CORE CLOCK IS THE OUTPUT OF THE PLL AS DESCRIBED ON PAGE 42.

*Figure 38. Timer/Counter 2, 16-Bit Capture Mode*

### 16-Bit Capture Mode

In the “Capture” mode, there are again two options, which are selected by bit EXEN2 in T2CON. If EXEN2 = 0, then Timer 2 is a 16-bit timer or counter which, upon overflowing, sets bit TF2, the Timer 2 overflow bit, which can be used to generate an interrupt. If EXEN2 = 1, then Timer 2 still performs the above, but a 1-to-0 transition on external input T2EX causes the current value in the Timer 2 registers, TL2 and TH2, to be captured into registers RCAP2L and RCAP2H, respectively. In addition, the transition at T2EX causes bit EXF2 in T2CON to be set, and EXF2, like TF2, can generate an interrupt. The Capture Mode is illustrated in Figure 38.

The baud rate generator mode is selected by RCLK = 1 and/or TCLK = 1.

In either case if Timer 2 is being used to generate the baud rate, the TF2 interrupt flag will not occur. Hence Timer 2 interrupts will not occur so they do not have to be disabled. In this mode the EXF2 flag, however, can still cause interrupts and this can be used as a third external interrupt.

Baud rate generation will be described as part of the UART serial port operation in the following pages.



## UART SERIAL INTERFACE

The serial port is full duplex, meaning it can transmit and receive simultaneously. It is also receive-buffered, meaning it can commence reception of a second byte before a previously received byte has been read from the receive register. However, if the first byte still has not been read by the time reception of the second byte is complete, the first byte will be lost. The physical interface to the serial data network is via Pins RXD(P3.0) and TXD(P3.1)

while the SFR interface to the UART is comprised of the following registers.

### SBUF

The serial port receive and transmit registers are both accessed through the SBUF SFR (SFR address = 99 hex). Writing to SBUF loads the transmit register and reading SBUF accesses a physically separate receive register.

<b>SCON</b>	<b>UART Serial Port Control Register</b>
SFR Address	98H
Power-On Default Value	00H
Bit Addressable	Yes

<b>SM0</b>	<b>SM1</b>	<b>SM2</b>	<b>REN</b>	<b>TB8</b>	<b>RB8</b>	<b>TI</b>	<b>RI</b>
------------	------------	------------	------------	------------	------------	-----------	-----------

**Table XXVII. SCON SFR Bit Designations**

Bit	Name	Description															
7	SM0	UART Serial Mode Select Bits.															
6	SM1	These bits select the Serial Port operating mode as follows: <table border="0" style="margin-left: 20px;"> <tr> <td style="text-align: center;">SM0</td> <td style="text-align: center;">SM1</td> <td style="text-align: left;">Selected Operating Mode</td> </tr> <tr> <td style="text-align: center;">0</td> <td style="text-align: center;">0</td> <td style="text-align: left;">Mode 0: Shift Register, fixed baud rate (Core_Clk/2)</td> </tr> <tr> <td style="text-align: center;">0</td> <td style="text-align: center;">1</td> <td style="text-align: left;">Mode 1: 8-bit UART, variable baud rate</td> </tr> <tr> <td style="text-align: center;">1</td> <td style="text-align: center;">0</td> <td style="text-align: left;">Mode 2: 9-bit UART, fixed baud rate (Core_Clk/64) or (Core_Clk/32)</td> </tr> <tr> <td style="text-align: center;">1</td> <td style="text-align: center;">1</td> <td style="text-align: left;">Mode 3: 9-bit UART, variable baud rate</td> </tr> </table>	SM0	SM1	Selected Operating Mode	0	0	Mode 0: Shift Register, fixed baud rate (Core_Clk/2)	0	1	Mode 1: 8-bit UART, variable baud rate	1	0	Mode 2: 9-bit UART, fixed baud rate (Core_Clk/64) or (Core_Clk/32)	1	1	Mode 3: 9-bit UART, variable baud rate
SM0	SM1	Selected Operating Mode															
0	0	Mode 0: Shift Register, fixed baud rate (Core_Clk/2)															
0	1	Mode 1: 8-bit UART, variable baud rate															
1	0	Mode 2: 9-bit UART, fixed baud rate (Core_Clk/64) or (Core_Clk/32)															
1	1	Mode 3: 9-bit UART, variable baud rate															
5	SM2	Multiprocessor Communication Enable Bit. Enables multiprocessor communication in Modes 2 and 3. In Mode 0, SM2 should be cleared. In Mode 1, if SM2 is set, RI will not be activated if a valid stop bit was not received. If SM2 is cleared, RI will be set as soon as the byte of data has been received. In Modes 2 or 3, if SM2 is set, RI will not be activated if the received ninth data bit in RB8 is 0. If SM2 is cleared, RI will be set as soon as the byte of data has been received.															
4	REN	Serial Port Receive Enable Bit. <i>Set</i> by user software to enable serial port reception. <i>Cleared</i> by user software to disable serial port reception.															
3	TB8	Serial Port Transmit (Bit 9). The data loaded into TB8 will be the ninth data bit that will be transmitted in Modes 2 and 3.															
2	RB8	Serial port Receiver Bit 9. The ninth data bit received in Modes 2 and 3 is latched into RB8. For Mode 1 the stop bit is latched into RB8.															
1	TI	Serial Port Transmit Interrupt Flag. <i>Set</i> by hardware at the end of the eighth bit in Mode 0, or at the beginning of the stop bit in Modes 1, 2, and 3. TI must be cleared by user software.															
0	RI	Serial Port Receive Interrupt Flag. <i>Set</i> by hardware at the end of the eighth bit in mode 0, or halfway through the stop bit in Modes 1, 2, and 3. RI must be cleared by software.															

# ADuC816

## Mode 0: 8-Bit Shift Register Mode

Mode 0 is selected by clearing both the SM0 and SM1 bits in the SFR SCON. Serial data enters and exits through RXD. TXD outputs the shift clock. Eight data bits are transmitted or received. Transmission is initiated by any instruction that writes to SBUF. The data is shifted out of the RXD line. The eight bits are transmitted with the least-significant bit (LSB) first, as shown in Figure 39.

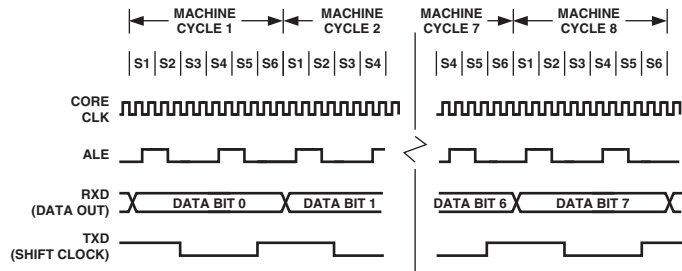


Figure 39. UART Serial Port Transmission, Mode 0

Reception is initiated when the receive enable bit (REN) is 1 and the receive interrupt bit (RI) is 0. When RI is cleared the data is clocked into the RXD line and the clock pulses are output from the TXD line.

## Mode 1: 8-Bit UART, Variable Baud Rate

Mode 1 is selected by clearing SM0 and setting SM1. Each data byte (LSB first) is preceded by a start bit(0) and followed by a stop bit(1). Therefore 10 bits are transmitted on TXD or received on RXD. The baud rate is set by the Timer 1 or Timer 2 overflow rate, or a combination of the two (one for transmission and the other for reception).

Transmission is initiated by writing to SBUF. The “write to SBUF” signal also loads a 1 (stop bit) into the ninth bit position of the transmit shift register. The data is output bit by bit until the stop bit appears on TXD and the transmit interrupt flag (TI) is automatically set as shown in Figure 40.

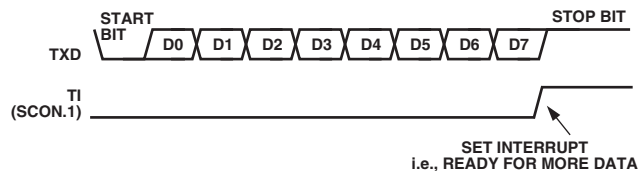


Figure 40. UART Serial Port Transmission, Mode 0

Reception is initiated when a 1-to-0 transition is detected on RXD. Assuming a valid start bit was detected, character reception continues. The start bit is skipped and the eight data bits are clocked into the serial port shift register. When all eight bits have been clocked in, the following events occur:

- The eight bits in the receive shift register are latched into SBUF
- The ninth bit (Stop bit) is clocked into RB8 in SCON
- The Receiver interrupt flag (RI) is set

if, and only if, the following conditions are met at the time the final shift pulse is generated:

- RI = 0, and
- Either SM2 = 0, or SM2 = 1 and the received stop bit = 1.

If either of these conditions is not met, the received frame is irretrievably lost, and RI is not set.

## Mode 2: 9-Bit UART with Fixed Baud Rate

Mode 2 is selected by setting SM0 and clearing SM1. In this mode the UART operates in 9-bit mode with a fixed baud rate. The baud rate is fixed at Core\_Clk/64 by default, although by setting the SMOD bit in PCON, the frequency can be doubled to Core\_Clk/32. Eleven bits are transmitted or received, a start bit(0), eight data bits, a programmable ninth bit and a stop bit(1). The ninth bit is most often used as a parity bit, although it can be used for anything, including a ninth data bit if required.

To transmit, the eight data bits must be written into SBUF. The ninth bit must be written to TB8 in SCON. When transmission is initiated the eight data bits (from SBUF) are loaded onto the transmit shift register (LSB first). The contents of TB8 are loaded into the ninth bit position of the transmit shift register. The transmission will start at the next valid baud rate clock. The TI flag is set as soon as the stop bit appears on TXD.

Reception for Mode 2 is similar to that of Mode 1. The eight data bytes are input at RXD (LSB first) and loaded onto the receive shift register. When all eight bits have been clocked in, the following events occur:

- The eight bits in the receive shift register are latched into SBUF
- The ninth data bit is latched into RB8 in SCON
- The Receiver interrupt flag (RI) is set

if, and only if, the following conditions are met at the time the final shift pulse is generated:

- RI = 0, and
- Either SM2 = 0, or SM2 = 1 and the received stop bit = 1.

If either of these conditions is not met, the received frame is irretrievably lost, and RI is not set.

## Mode 3: 9-Bit UART with Variable Baud Rate

Mode 3 is selected by setting both SM0 and SM1. In this mode the 8051 UART serial port operates in 9-bit mode with a variable baud rate determined by either Timer 1 or Timer 2. The operation of the 9-bit UART is the same as for Mode 2 but the baud rate can be varied as for Mode 1.

In all four modes, transmission is initiated by any instruction that uses SBUF as a destination register. Reception is initiated in Mode 0 by the condition RI = 0 and REN = 1. Reception is initiated in the other modes by the incoming start bit if REN = 1.

## UART Serial Port Baud Rate Generation

### Mode 0 Baud Rate Generation

The baud rate in Mode 0 is fixed:

$$\text{Mode 0 Baud Rate} = (\text{Core Clock Frequency})^1/12$$

NOTE

<sup>1</sup>In these descriptions Core Clock Frequency refers to the core clock frequency selected via the CD0-2 bits in the PLLCON SFR.

### Mode 2 Baud Rate Generation

The baud rate in Mode 2 depends on the value of the SMOD bit in the PCON SFR. If SMOD = 0, the baud rate is 1/64 of the core clock. If SMOD = 1, the baud rate is 1/32 of the core clock:

$$\text{Mode 2 Baud Rate} = (2^{\text{SMOD}}/64) \times (\text{Core Clock Frequency})$$

### Modes 1 and 3 Baud Rate Generation

The baud rates in Modes 1 and 3 are determined by the overflow rate in Timer 1 or Timer 2, or both (one for transmit and the other for receive).

### Timer 1 Generated Baud Rates

When Timer 1 is used as the baud rate generator, the baud rates in Modes 1 and 3 are determined by the Timer 1 overflow rate and the value of SMOD as follows:

$$\text{Modes 1 and 3 Baud Rate} = (2^{\text{SMOD}}/32) \times (\text{Timer 1 Overflow Rate})$$

The Timer 1 interrupt should be disabled in this application. The Timer itself can be configured for either timer or counter operation, and in any of its three running modes. In the most typical application, it is configured for timer operation, in the autoreload mode (high nibble of TMOD = 0100Binary). In that case, the baud rate is given by the formula:

$$\text{Modes 1 and 3 Baud Rate} = (2^{\text{SMOD}}/32) \times (\text{Core Clock}/(12 \times [256-\text{TH1}]))$$

A very low baud rate can also be achieved with Timer 1 by leaving the Timer 1 interrupt enabled, and configuring the timer to run as a 16-bit timer (high nibble of TMOD = 0100Binary), and using the Timer 1 interrupt to do a 16-bit software reload. Table XXVIII below, shows some commonly-used baud rates and how they might be calculated from a core clock frequency of 1.5728 MHz and 12.58 MHz. Generally speaking, a 5% error is tolerable using asynchronous (start/stop) communications.

**Table XXVIII. Commonly-Used Baud Rates, Timer 1**

Ideal Baud	Core CLK	SMOD Value	TH1-Reload Value	Actual Baud	% Error
9600	12.58	1	-7 (F9h)	9362	2.5
2400	12.58	1	-27 (E5h)	2427	1.1
1200	12.58	1	-55 (C9h)	1192	0.7
1200	1.57	1	-7 (F9h)	1170	2.5

$$\text{Modes 1 and 3 Baud Rate} = (1/16) \times (\text{Timer 2 Overflow Rate})$$

Therefore, when Timer 2 is used to generate baud rates, the timer increments every two clock cycles and not every core machine cycle as before. Hence, it increments six times faster than Timer 1, and therefore baud rates six times faster are possible. Because Timer 2 has 16-bit autoreload capability, very low baud rates are still possible.

Timer 2 is selected as the baud rate generator by setting the TCLK and/or RCLK in T2CON. The baud rates for transmit and receive can be simultaneously different. Setting RCLK and/or TCLK puts Timer 2 into its baud rate generator mode as shown in Figure 41.

In this case, the baud rate is given by the formula:

$$\text{Modes 1 and 3 Baud Rate} = (\text{Core Clk})/(32 \times [65536 - (\text{RCAP2H}, \text{RCAP2L})])$$

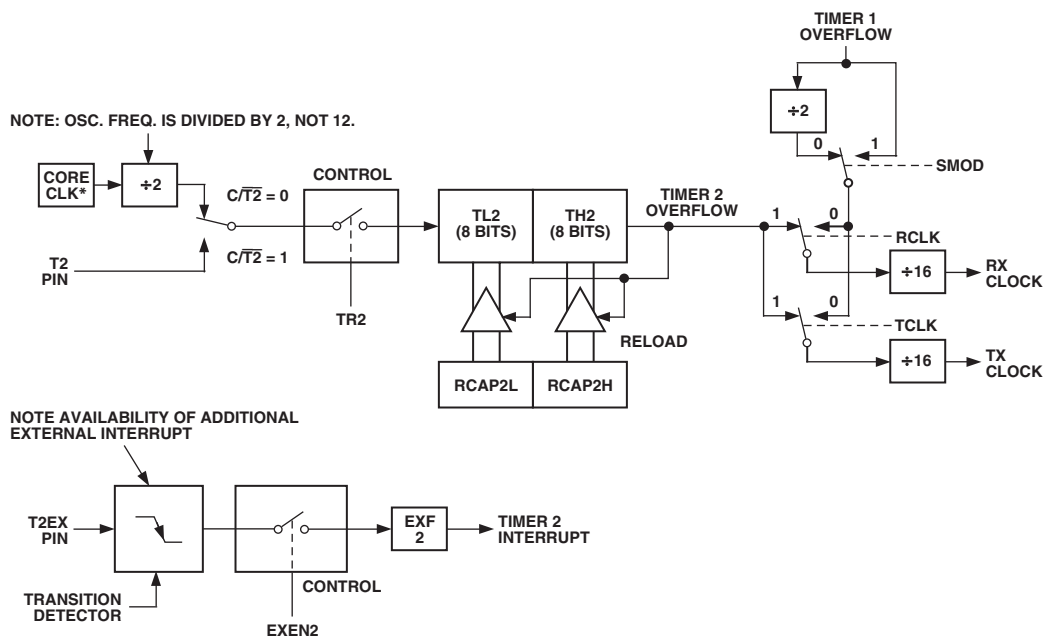
Table XXIX shows some commonly used baud rates and how they might be calculated from a core clock frequency of 1.5728 MHz and 12.5829 MHz.

**Table XXIX. Commonly Used Baud Rates, Timer 2**

Ideal Baud	Core CLK	RCAP2H Value	RCAP2L Value	Actual Baud	% Error
19200	12.58	-1 (FFh)	-20 (ECh)	19661	2.4
9600	12.58	-1 (FFh)	-41 (D7h)	9591	0.1
2400	12.58	-1 (FFh)	-164 (5Ch)	2398	0.1
1200	12.58	-2 (FEh)	-72 (B8h)	1199	0.1
9600	1.57	-1 (FFh)	-5 (FBh)	9830	2.4
2400	1.57	-1 (FFh)	-20 (ECh)	2457	2.4
1200	1.57	-1 (FFh)	-41 (D7h)	1199	0.1

### Timer 2 Generated Baud Rates

Baud rates can also be generated using Timer 2. Using Timer 2 is similar to using Timer 1 in that the timer must overflow 16 times before a bit is transmitted/received. Because Timer 2 has a 16-bit autoreload mode a wider range of baud rates is possible using Timer 2.



\*THE CORE CLOCK IS THE OUTPUT OF THE PLL AS DESCRIBED ON PAGE 42.

Figure 41. Timer 2, UART Baud Rates

# ADuC816

## INTERRUPT SYSTEM

The ADuC816 provides a total of twelve interrupt sources with two priority levels. The control and configuration of the interrupt system is carried out through three Interrupt-related SFRs.

IE: Interrupt Enable Register.  
 IP: Interrupt Priority Register.  
 IEIP2: Secondary Interrupt Priority-Interrupt Register.

**IE: Interrupt Enable Register**  
 SFR Address A8H  
 Power-On Default Value 00H  
 Bit Addressable Yes

<b>EA</b>	<b>EADC</b>	<b>ET2</b>	<b>ES</b>	<b>ET1</b>	<b>EX1</b>	<b>ET0</b>	<b>EX0</b>
-----------	-------------	------------	-----------	------------	------------	------------	------------

**Table XXX. IE SFR Bit Designations**

Bit	Name	Description
7	EA	Written by User to Enable “1” or Disable “0” All Interrupt Sources
6	EADC	Written by User to Enable “1” or Disable “0” ADC Interrupt
5	ET2	Written by User to Enable “1” or Disable “0” Timer 2 Interrupt
4	ES	Written by User to Enable “1” or Disable “0” UART Serial Port Interrupt
3	ET1	Written by User to Enable “1” or Disable “0” Timer 1 Interrupt
2	EX1	Written by User to Enable “1” or Disable “0” External Interrupt 1
1	ET0	Written by User to Enable “1” or Disable “0” Timer 0 Interrupt
0	EX0	Written by User to Enable “1” or Disable “0” External Interrupt 0

**IP: Interrupt Priority Register**  
 SFR Address B8H  
 Power-On Default Value 00H  
 Bit Addressable Yes

<b>---</b>	<b>PADC</b>	<b>PT2</b>	<b>PS</b>	<b>PT1</b>	<b>PX1</b>	<b>PT0</b>	<b>PX0</b>
------------	-------------	------------	-----------	------------	------------	------------	------------

**Table XXXI. IP SFR Bit Designations**

Bit	Name	Description
7	---	Reserved for Future Use.
6	PADC	Written by User to Select ADC Interrupt Priority (“1” = High; “0” = Low)
5	PT2	Written by User to Select Timer 2 Interrupt Priority (“1” = High; “0” = Low)
4	PS	Written by User to Select UART Serial Port Interrupt Priority (“1” = High; “0” = Low)
3	PT1	Written by User to Select Timer 1 Interrupt Priority (“1” = High; “0” = Low)
2	PX1	Written by User to Select External Interrupt 1 Priority (“1” = High; “0” = Low)
1	PT0	Written by User to Select Timer 0 Interrupt Priority (“1” = High; “0” = Low)
0	PX0	Written by User to Select External Interrupt 0 Priority (“1” = High; “0” = Low)

<b>IEIP2:</b>	<b>Secondary Interrupt Enable and Priority Register</b>
SFR Address	A9H
Power-On Default Value	A0H
Bit Addressable	No

---	<b>PTI</b>	<b>PPSM</b>	<b>PSI</b>	---	<b>ETI</b>	<b>EPSM</b>	<b>ESI</b>
-----	------------	-------------	------------	-----	------------	-------------	------------

Table XXXII. IEIP2 SFR Bit Designations

Bit	Name	Description
7	---	Reserved for Future Use.
6	PTI	Written by User to Select TIC Interrupt Priority (“1” = High; “0” = Low).
5	PPSM	Written by User to Select Power Supply Monitor Interrupt Priority (“1” = High; “0” = Low).
4	PSI	Written by User to Select SPI/I <sup>2</sup> C Serial Port Interrupt Priority (“1” = High; “0” = Low).
3	---	Reserved, This Bit Must Be “0.”
2	ETI	Written by User to Enable “1” or Disable “0” TIC Interrupt.
1	EPSM	Written by User to Enable “1” or Disable “0” Power Supply Monitor Interrupt.
0	ESI	Written by User to Enable “1” or Disable “0” SPI/I <sup>2</sup> C Serial Port Interrupt.

**Interrupt Priority**

The Interrupt Enable registers are written by the user to enable individual interrupt sources, while the Interrupt Priority registers allow the user to select one of two priority levels for each interrupt. An interrupt of a high priority may interrupt the service routine of a low priority interrupt, and if two interrupts of different priority occur at the same time, the higher level interrupt will be serviced first. An interrupt cannot be interrupted by another interrupt of the same priority level. If two interrupts of the same priority level occur simultaneously, a polling sequence is observed as shown in Table XXXIII.

Table XXXIII. Priority within an Interrupt Level

Source	Priority	Description
PSMI	1 (Highest)	Power Supply Monitor Interrupt
WDS	2	Watchdog Interrupt
IE0	3	External Interrupt 0
RDY0/RDY1	4	ADC Interrupt
TF0	5	Timer/Counter 0 Interrupt
IE1	6	External Interrupt 1
TF1	7	Timer/Counter 1 Interrupt
I <sup>2</sup> CI + ISPI	8	I <sup>2</sup> C/SPI Interrupt
RI + TI	9	Serial Interrupt
TF2 + EXF2	10	Timer/Counter 2 Interrupt
TII	11 (Lowest)	Time Interval Counter Interrupt

**Interrupt Vectors**

When an interrupt occurs the program counter is pushed onto the stack and the corresponding interrupt vector address is loaded into the program counter. The interrupt vector addresses are shown in Table XXXIV.

Table XXXIV. Interrupt Vector Addresses

Source	Vector Address
IE0	0003 Hex
TF0	000B Hex
IE1	0013 Hex
TF1	001B Hex
RI + TI	0023 Hex
TF2 + EXF2	002B Hex
RDY0/RDY1 (ADC)	0033 Hex
I <sup>2</sup> C + ISPI	003B Hex
PSMI	0043 Hex
TII	0053 Hex
WDS (WDIR = 1)*	005B Hex

\*The watchdog can be configured to generate an interrupt instead of a reset when it times out. This is used for logging errors or to examine the internal status of the microcontroller core to understand, from a software debug point of view, why a watchdog timeout occurred. The watchdog interrupt is slightly different from the normal interrupts in that its priority level is always set to 1 and it is not possible to disable the interrupt via the global disable bit (EA) in the IE SFR. This is done to ensure that the interrupt will always be responded to if a watchdog timeout occurs. The watchdog will only produce an interrupt if the watchdog timeout is greater than zero.

# ADuC816

## ADuC816 HARDWARE DESIGN CONSIDERATIONS

This section outlines some of the key hardware design considerations that must be addressed when integrating the ADuC816 into any hardware system.

### Clock Oscillator

As described earlier, the core clock frequency for the ADuC816 is generated from an on-chip PLL that locks onto a multiple (384 times) of 32.768 kHz. The latter is generated from an internal clock oscillator. To use the internal clock oscillator, connect a 32.768 kHz parallel resonant crystal between XTAL1 and XTAL2 pins (32 and 33) as shown in Figure 42.

As shown in the typical external crystal connection diagram in Figure 42, two internal 12 pF capacitors are provided on-chip. These are connected internally, directly to the XTAL1 and XTAL2 pins and the total input capacitances at both pins is detailed in the specification section of this data sheet. The value of the total load capacitance required for the external crystal should be the value recommended by the crystal manufacturer for use with that specific crystal. In many cases, because of the on-chip capacitors, additional external load capacitors will not be required.

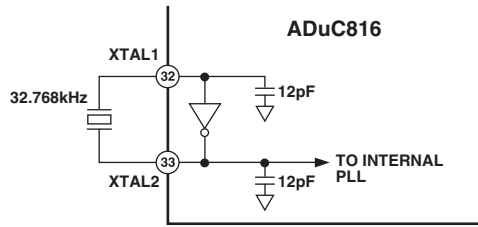


Figure 42. External Parallel Resonant Crystal Connections

### External Memory Interface

In addition to its internal program and data memories, the ADuC816 can access up to 64 Kbytes of external program memory (ROM/PROM/etc.) and up to 16 Mbytes of external data memory (SRAM).

To select from which code space (internal or external program memory) to begin executing instructions, tie the  $\overline{EA}$  (external access) pin high or low, respectively. When  $\overline{EA}$  is high (pulled up to  $V_{DD}$ ), user program execution will start at address 0 of the internal 8 Kbytes Flash/EE code space. When  $\overline{EA}$  is low (tied to ground) user program execution will start at address 0 of the external code space. In either case, addresses above 1FFF hex (8K) are mapped to the external space.

Note that a second very important function of the  $\overline{EA}$  pin is described in the Single Pin Emulation Mode section of this data sheet.

External program memory (if used) must be connected to the ADuC816 as illustrated in Figure 43. Note that 16 I/O lines (Ports 0 and 2) are dedicated to bus functions during external program memory fetches. Port 0 (P0) serves as a multiplexed address/data bus. It emits the low byte of the program counter (PCL) as an address, and then goes into a float state awaiting the arrival of the code byte from the program memory. During the

time that the low byte of the program counter is valid on P0, the signal ALE (Address Latch Enable) clocks this byte into an address latch. Meanwhile, Port 2 (P2) emits the high byte of the program counter (PCH), then  $\overline{PSEN}$  strobes the EPROM and the code byte is read into the ADuC816.

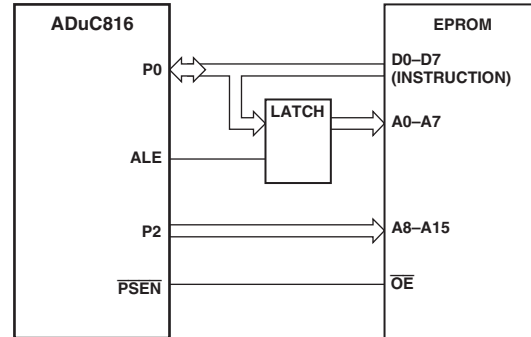


Figure 43. External Program Memory Interface

Note that program memory addresses are always 16 bits wide, even in cases where the actual amount of program memory used is less than 64 Kbytes. External program execution sacrifices two of the 8-bit ports (P0 and P2) to the function of addressing the program memory. While executing from external program memory, Ports 0 and 2 can be used simultaneously for read/write access to external data memory, but not for general-purpose I/O.

Though both external program memory and external data memory are accessed by some of the same pins, the two are completely independent of each other from a software point of view. For example, the chip can read/write external data memory while executing from external program memory.

Figure 44 shows a hardware configuration for accessing up to 64 Kbytes of external RAM. This interface is standard to any 8051 compatible MCU.

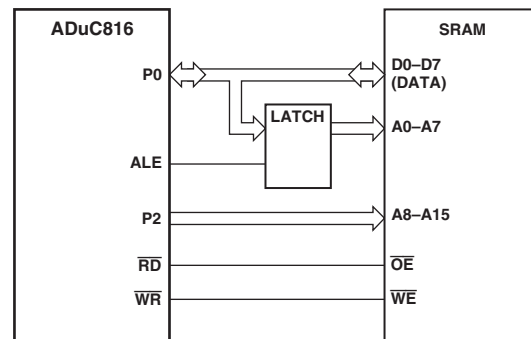


Figure 44. External Data Memory Interface (64 K Address Space)

If access to more than 64 Kbytes of RAM is desired, a feature unique to the ADuC816 allows addressing up to 16 Mbytes of external RAM simply by adding an additional latch as illustrated in Figure 45.

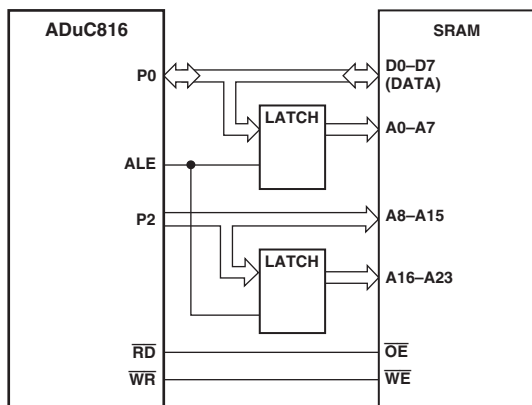


Figure 45. External Data Memory Interface (16 M Bytes Address Space)

In either implementation, Port 0 (P0) serves as a multiplexed address/data bus. It emits the low byte of the data pointer (DPL) as an address, which is latched by a pulse of ALE prior to data being placed on the bus by the ADuC816 (write operation) or the SRAM (read operation). Port 2 (P2) provides the data pointer page byte (DPP) to be latched by ALE, followed by the data pointer high byte (DPH). If no latch is connected to P2, DPP is ignored by the SRAM, and the 8051 standard of 64 Kbyte external data memory access is maintained.

Detailed timing diagrams of external program and data memory read and write access can be found in the timing specification sections of this data sheet.

### Power-On Reset Operation

External POR (power-on reset) circuitry must be implemented to drive the RESET pin of the ADuC816. The circuit must hold the RESET pin asserted (high) whenever the power supply ( $DV_{DD}$ ) is below 2.5 V. Furthermore,  $V_{DD}$  must remain above 2.5 V for at least 10 ms before the RESET signal is deasserted (low) by which time the power supply must have reached at least a 2.7 V level. The external POR circuit must be operational down to 1.2 V or less. The timing diagram of Figure 46 illustrates this functionality under three separate events: power-up, brownout, and power-down. Notice that when RESET is asserted (high) it tracks the voltage on  $DV_{DD}$ .

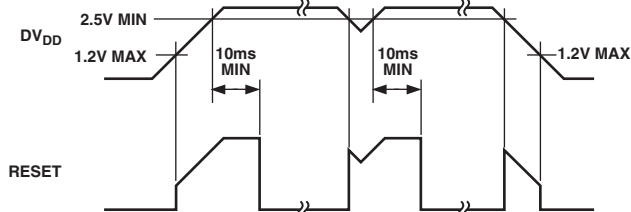


Figure 46. External POR Timing

The best way to implement an external POR function to meet the above requirements involves the use of a dedicated POR chip, such as the ADM809/ADM810 SOT-23 packaged PORs from Analog Devices. Recommended connection diagrams for both active-high ADM810 and active-low ADM809 PORs are shown in Figure 47 and Figure 48, respectively.

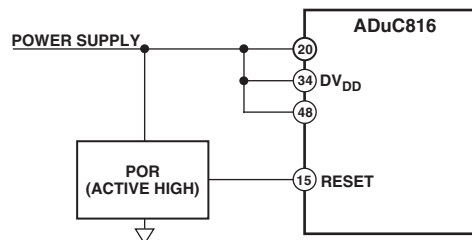


Figure 47. External Active High POR Circuit

Some active-low POR chips, such as the ADM809 can be used with a manual push-button as an additional reset source as illustrated by the dashed line connection in Figure 48.

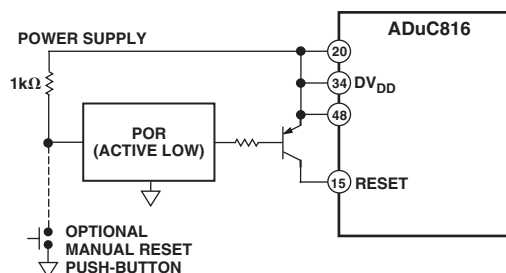


Figure 48. External Active Low POR Circuit

### Power Supplies

The ADuC816's operational power supply voltage range is 2.7 V to 5.25 V. Although the guaranteed data sheet specifications are given only for power supplies within 2.7 V to 3.6 V or +5% of the nominal 5 V level, the chip will function equally well at any power supply level between 2.7 V and 5.25 V.

Separate analog and digital power supply pins ( $AV_{DD}$  and  $DV_{DD}$  respectively) allow  $AV_{DD}$  to be kept relatively free of noisy digital signals often present on the system  $DV_{DD}$  line. In this mode the part can also operate with split supplies; that is, using different voltage supply levels for each supply. For example, this means that the system can be designed to operate with a  $DV_{DD}$  voltage level of 3 V while the  $AV_{DD}$  level can be at 5 V or vice-versa if required. A typical split supply configuration is shown in Figure 49.

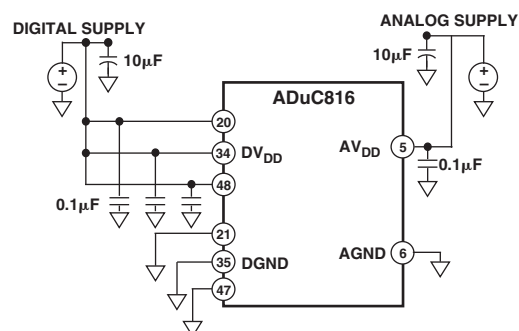


Figure 49. External Dual Supply Connections

# ADuC816

As an alternative to providing two separate power supplies,  $AV_{DD}$  quiet by placing a small series resistor and/or ferrite bead between it and  $DV_{DD}$ , and then decoupling  $AV_{DD}$  separately to ground. An example of this configuration is shown in Figure 50. With this configuration other analog circuitry (such as op amps, voltage reference, etc.) can be powered from the  $AV_{DD}$  supply line as well.

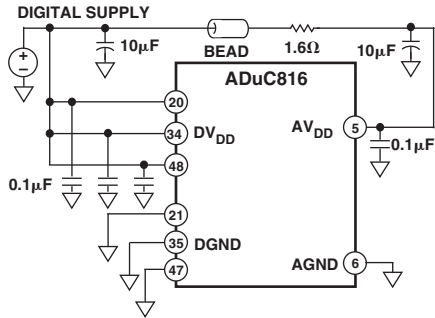


Figure 50. External Single Supply Connections

Notice that in both Figure 49 and Figure 50, a large value (10  $\mu\text{F}$ ) reservoir capacitor sits on  $DV_{DD}$  and a separate 10  $\mu\text{F}$  capacitor sits on  $AV_{DD}$ . Also, local small-value (0.1  $\mu\text{F}$ ) capacitors are located at each VDD pin of the chip. As per standard design practice, be sure to include all of these capacitors, and ensure the smaller capacitors are closest to each  $AV_{DD}$  pin with trace lengths as short as possible. Connect the ground terminal of each of these capacitors directly to the underlying ground plane. Finally, it should also be noticed that, at all times, the analog and digital ground pins on the ADuC816 should be referenced to the same system ground reference point.

## Power Consumption

The “CORE” values given represent the current drawn by  $DV_{DD}$ , while the rest (“ADC” and “DAC”) are pulled by the  $AV_{DD}$  pin and can be disabled in software when not in use. The other on-chip peripherals (watchdog timer, power supply monitor, etc.) consume negligible current and are therefore lumped in with the “CORE” operating current here. Of course, the user must add any currents sourced by the parallel and serial I/O pins, and that sourced by the DAC, in order to determine the total current needed at the ADuC816’s supply pins. Also, current draw from the  $DV_{DD}$  supply will increase by approximately 5 mA during Flash/EE erase and program cycles

## Power-Saving Modes

Setting the Idle and Power-Down Mode bits,  $\text{PCON.0}$  and  $\text{PCON.1}$  respectively, in the  $\text{PCON}$  SFR described in Table II, allows the chip to be switched from normal mode into idle mode, and also into full power-down mode.

In idle mode, the oscillator continues to run, but the core clock generated from the PLL is halted. The on-chip peripherals continue to receive the clock, and remain functional. The CPU status is preserved with the stack pointer, program counter, and all other internal registers maintain their data during idle mode. Port pins and DAC output pins also retain their states, and  $\text{ALE}$  and  $\overline{\text{PSEN}}$  outputs go high in this mode. The chip will recover from idle mode upon receiving any enabled interrupt, or on receiving a hardware reset.

In power-down mode, both the PLL and the clock to the core are stopped. The on-chip oscillator can be halted or can continue to oscillate depending on the state of the oscillator power-down bit ( $\text{OSC\_PD}$ ) in the  $\text{PLLCON}$  SFR. The TIC, being driven directly from the oscillator, can also be enabled during power-down. All other on-chip peripherals however, are shut down. Port pins retain their logic levels in this mode, but the DAC output goes to a high-impedance state (three-state) while  $\text{ALE}$  and  $\overline{\text{PSEN}}$  outputs are held low. During full power-down mode, the ADuC816 consumes a total of 5  $\mu\text{A}$  typically. There are five ways of terminating power-down mode:

### Asserting the RESET Pin (15)

Returns to normal mode all registers are set to their default state and program execution starts at the reset vector once the Reset pin is deasserted.

### Cycling Power

All registers are set to their default state and program execution starts at the reset vector.

### Time Interval Counter (TIC) Interrupt

Power-down mode is terminated and the CPU services the TIC interrupt, the RETI at the end of the TIC Interrupt Service Routine will return the core to the instruction after that which enabled power down.

### I<sup>2</sup>C or SPI Interrupt

Power-down mode is terminated and the CPU services the I<sup>2</sup>C/SPI interrupt. The RETI at the end of the ISR will return the core to the instruction after that which enabled power down. It should be noted that the I<sup>2</sup>C/SPI power down interrupt enable bit ( $\text{SERIPD}$ ) in the  $\text{PCON}$  SFR must first be set to allow this mode of operation.

### INT0 Interrupt

Power-down mode is terminated and the CPU services the  $\overline{\text{INT0}}$  interrupt. The RETI at the end of the ISR will return the core to the instruction after that which enabled power-down. It should be noted that the  $\overline{\text{INT0}}$  power-down interrupt enable bit ( $\text{INT0PD}$ ) in the  $\text{PCON}$  SFR must first be set to allow this mode of operation.

## Grounding and Board Layout Recommendations

As with all high resolution data converters, special attention must be paid to grounding and PC board layout of ADuC816-based designs in order to achieve optimum performance from the ADCs and DAC.

Although the ADuC816 has separate pins for analog and digital ground ( $\text{AGND}$  and  $\text{DGND}$ ), the user must not tie these to two separate ground planes unless the two ground planes are connected together very close to the ADuC816, as illustrated in the simplified example of Figure 51a. In systems where digital and analog ground planes are connected together somewhere else (at the system’s power supply for example), they cannot be connected again near the ADuC816 since a ground loop would result. In these cases, tie the ADuC816’s  $\text{AGND}$  and  $\text{DGND}$  pins all to the analog ground plane, as illustrated in Figure 51b. In systems with only one ground plane, ensure that the digital and analog components are physically separated onto separate halves of the board such that digital return currents do not flow near analog circuitry and vice versa. The ADuC816 can then be placed between the digital and analog sections, as illustrated in Figure 51c.



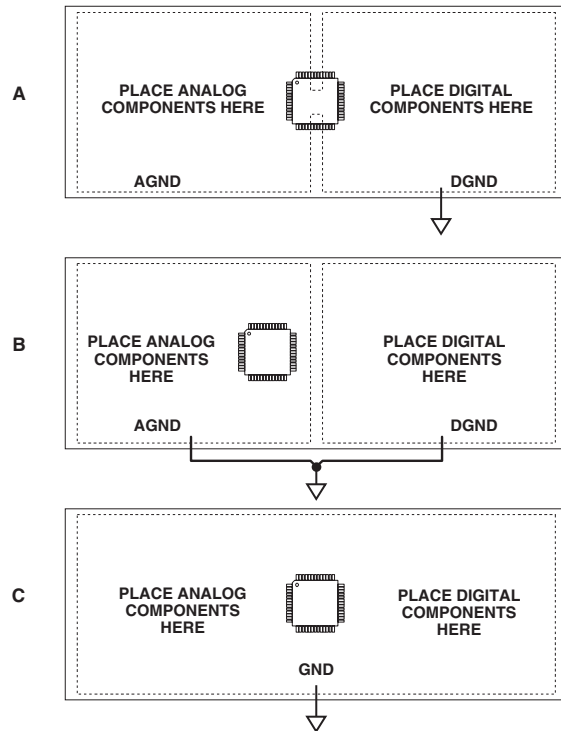


Figure 51. System Grounding Schemes

In all of these scenarios, and in more complicated real-life applications, keep in mind the flow of current from the supplies and back to ground. Make sure the return paths for all currents are as close as possible to the paths the currents took to reach their destinations. For example, do not power components on the analog side of Figure 51b with  $DV_{DD}$  since that would force return currents from  $DV_{DD}$  to flow through AGND. Also, try to avoid digital currents flowing under analog circuitry, which could happen if the user placed a noisy digital chip on the left half of the board in Figure 51c. Whenever possible, avoid large discontinuities in the ground plane(s) (such as are formed by a long trace on the same layer), since they force return signals to travel a longer path. And of course, make all connections to the ground plane directly, with little or no trace separating the pin from its via to ground.

If the user plans to connect fast logic signals (rise/fall time < 5 ns) to any of the ADuC816's digital inputs, add a series resistor to each relevant line to keep rise and fall times longer than 5 ns at the ADuC816 input pins. A value of 100  $\Omega$  or 200  $\Omega$  is usually sufficient to prevent high-speed signals from coupling capacitively into the ADuC816 and affecting the accuracy of ADC conversions.

#### ADuC816 System Self-Identification

In some hardware designs it may be an advantage for the software running on the ADuC816 target to identify the host MicroConverter. For example, code running on the ADuC816 may be used at future date to run on an ADuC816 MicroConverter host and the code may be required to operate differently.

The CHIPID SFR is a read-only register located at SFR address C2 hex. The top nibble of this byte is set to "1" to designate an ADuC824 host. For an ADuC824 host, the CHIPID SFR will contain the value "0" in the upper nibble.

#### OTHER HARDWARE CONSIDERATIONS

To facilitate in-circuit programming, plus in-circuit debug and emulation options, users will want to implement some simple connection points in their hardware that will allow easy access to download, debug, and emulation modes.

##### In-Circuit Serial Download Access

Nearly all ADuC816 designs will want to take advantage of the in-circuit reprogrammability of the chip. This is accomplished by a connection to the ADuC816's UART, which requires an external RS-232 chip for level translation if downloading code from a PC. Basic configuration of an RS-232 connection is illustrated in Figure 52 with a simple ADM202-based circuit. If users would rather not design an RS-232 chip onto a board, refer to the application note "uC006-A 4-Wire UART-to-PC Interface"<sup>1</sup> for a simple (and zero-cost-per-board) method of gaining in-circuit serial download access to the ADuC816.

##### NOTE

<sup>1</sup>Application note uC006 is available at [www.analog.com/microconverter](http://www.analog.com/microconverter)

In addition to the basic UART connections, users will also need a way to trigger the chip into download mode. This is accomplished via a 1 k $\Omega$  pull-down resistor that can be jumpered onto the  $\overline{PSEN}$  pin, as shown in Figure 52. To get the ADuC816 into download mode, simply connect this jumper and power-cycle the device (or manually reset the device, if a manual reset button is available) and it will be ready to receive a new program serially. With the jumper removed, the device will come up in normal mode (and run the program) whenever power is cycled or RESET is toggled.

Note that  $\overline{PSEN}$  is normally an output (as described in the External Memory Interface section) and it is sampled as an input only on the falling edge of RESET (i.e., at power-up or upon an external manual reset). Note also that if any external circuitry unintentionally pulls  $\overline{PSEN}$  low during power-up or reset events, it could cause the chip to enter download mode and therefore fail to begin user code execution as it should. To prevent this, ensure that no external signals are capable of pulling the  $\overline{PSEN}$  pin low, except for the external  $\overline{PSEN}$  jumper itself.

##### Embedded Serial Port Debugger

From a hardware perspective, entry to serial port debug mode is identical to the serial download entry sequence described above. In fact, both serial download and serial port debug modes can be thought of as essentially one mode of operation used in two different ways.

Note that the serial port debugger is fully contained on the ADuC816 device, (unlike "ROM monitor" type debuggers) and therefore no external memory is needed to enable in-system debug sessions.

##### Single-Pin Emulation Mode

Also built into the ADuC816 is a dedicated controller for single-pin in-circuit emulation (ICE) using standard production ADuC816 devices. In this mode, emulation access is gained by connection to a single pin, the  $\overline{EA}$  pin. Normally, this pin is hard-wired either high or low to select execution from internal or external program memory space, as described earlier. To enable single-pin emulation mode, however, users will need to pull the  $\overline{EA}$  pin high through a 1 k $\Omega$  resistor as shown in Figure 52. The emulator will then connect to the 2-pin header also shown in Figure 52. To be compatible with the standard connector that

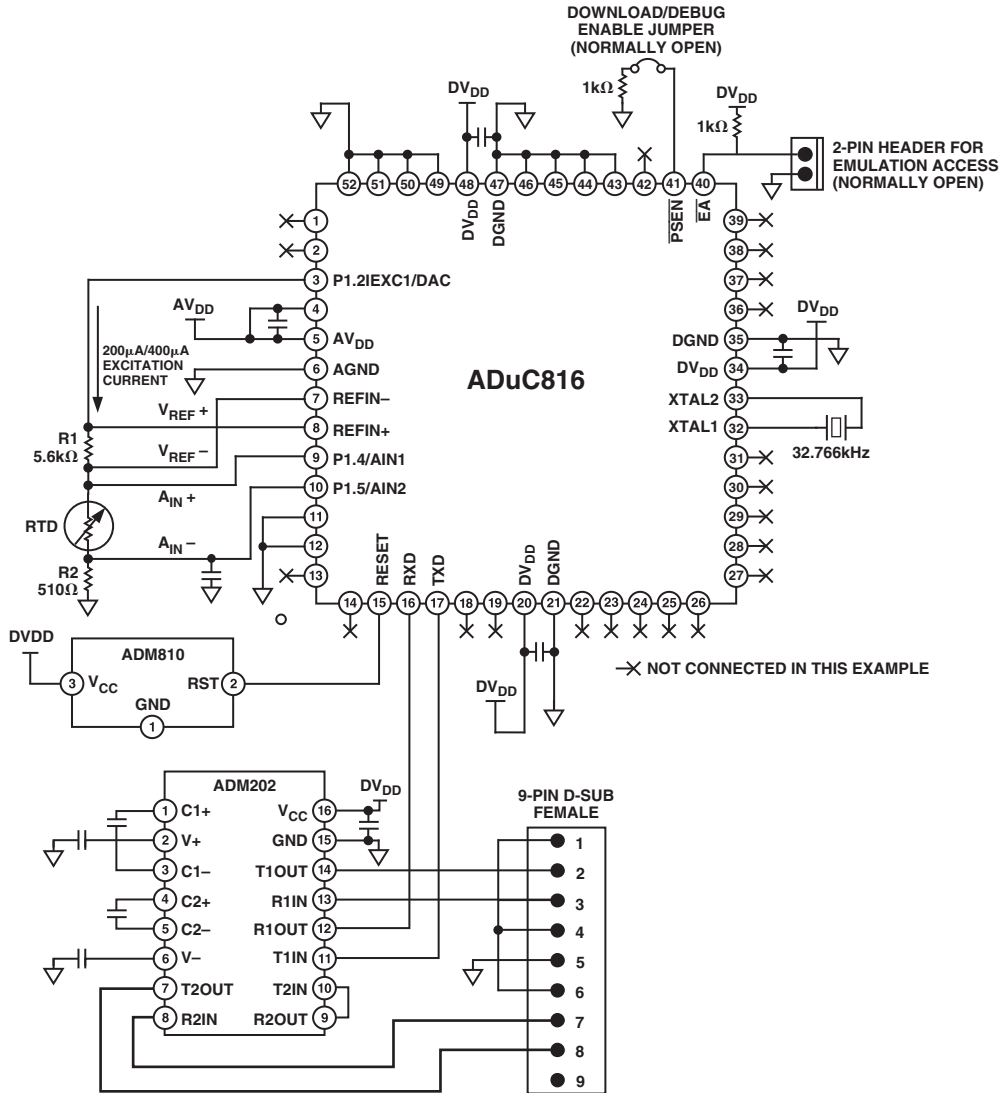


Figure 52. Typical System Configuration

comes with the single-pin emulator available from Accutron Limited ([www.accutron.com](http://www.accutron.com)), use a 2-pin 0.1-inch pitch “Friction Lock” header from Molex ([www.molex.com](http://www.molex.com)) such as their part number 22-27-2021. Be sure to observe the polarity of this header. As represented in Figure 52, when the Friction Lock tab is at the right, the ground pin should be the lower of the two pins (when viewed from the top).

### Enhanced-Hooks Emulation Mode

ADuC816 also supports enhanced-hooks emulation mode. An enhanced-hooks-based emulator is available from Metalink Corporation ([www.metaice.com](http://www.metaice.com)). No special hardware support for these emulators needs to be designed onto the board since these are “pod-style” emulators where users must replace the chip on their board with a header device that the emulator pod plugs into. The only hardware concern is then one of determining if adequate space is available for the emulator pod to fit into the system enclosure.

### Typical System Configuration

A typical ADuC816 configuration is shown in Figure 52. It summarizes some of the hardware considerations discussed in the previous paragraphs.

Figure 52 also includes connections for a typical analog measurement application of the ADuC816, namely an interface to an RTD (Resistive Temperature Device). The arrangement shown is commonly referred to as a 4-wire RTD configuration.

Here, the on-chip excitation current sources are enabled to excite the sensor. An external differential reference voltage is generated by the current sourced through resistor R1. This current also flows directly through the RTD, which generates a differential voltage directly proportional to temperature. This differential voltage is routed directly to the positive and negative inputs of the primary ADC (AIN1, AIN2 respectively). A second external resistor, R2, is used to ensure that absolute analog input voltage on the negative input to the primary ADC stays within that specified for the ADuC816, i.e., AGND + 100 mV.

It should also be noted that variations in the excitation current do not affect the measurement system, as the input voltage from the RTD and reference voltage across R1 vary ratiometrically with the excitation current. Resistor R1 must, however, have a low temperature coefficient to avoid errors in the reference voltage over temperature.

### QUICKSTART DEVELOPMENT SYSTEM

The QuickStart Development System is a full featured, low cost development tool suite supporting the ADuC816. The system consists of the following PC-based (Windows-compatible) hardware and software development tools.

Hardware:	ADuC816 Evaluation Board, Plug-In Power Supply and Serial Port Cable
Code Development:	8051 Assembler C Compiler (2 Kcode Limited)
Code Functionality:	ADSIM, Windows MicroConverter Code Simulator
In-Circuit Code Download:	Serial Downloader
In-Circuit Debugger:	Serial Port Debugger
Misc. Other:	CD-ROM Documentation and Two Additional Prototype Devices

Figure 53 shows the typical components of a QuickStart Development System while Figure 54 shows a typical debug session. A brief description of some of the software tools' components in the QuickStart Development System is given below.



Figure 53. Components of the QuickStart Development System

### Download—In-Circuit Serial Downloader

The Serial Downloader is a software program that allows the user to serially download an assembled program (Intel Hex format file) to the on-chip program FLASH memory via the serial COM1 port on a standard PC. An Application Note (uC004) detailing this serial download protocol is available from [www.analog.com/microconverter](http://www.analog.com/microconverter).

### DeBug—In-Circuit Debugger

The Debugger is a Windows application that allows the user to debug code execution on silicon using the MicroConverter UART serial port. The debugger provides access to all on-chip peripherals during a typical debug session as well as single-step and break-point code execution control.

### ADSIM—Windows Simulator

The Simulator is a Windows application that fully simulates all the MicroConverter functionality including ADC and DAC peripherals. The simulator provides an easy-to-use, intuitive, interface to the MicroConverter functionality and integrates many standard debug features; including multiple breakpoints, single stepping; and code execution trace capability. This tool can be used both as a tutorial guide to the part as well as an efficient way to prove code functionality before moving to a hardware platform.

The QuickStart development tool-suite software is freely available at the Analog Devices MicroConverter Website [www.analog.com/microconverter](http://www.analog.com/microconverter).

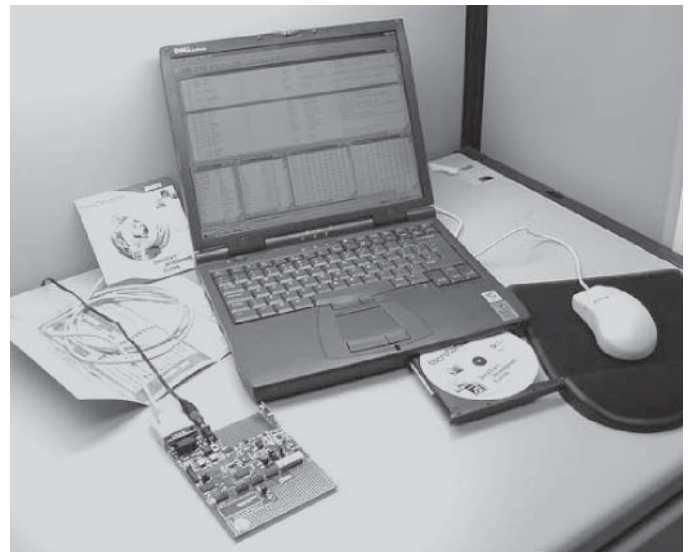


Figure 54. Typical Debug Session

## OUTLINE DIMENSIONS

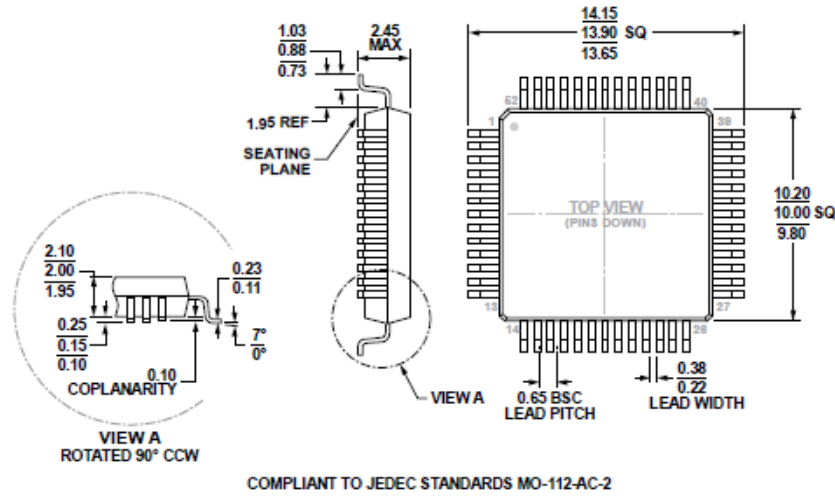


Figure 55. 52-Lead Metric Quad Flat Package [MQFP] (S-52-2)  
Dimensions shown in millimeters

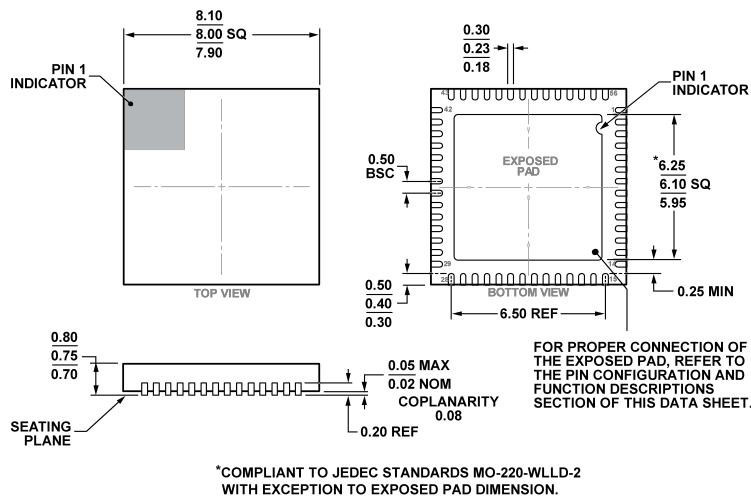


Figure 56. 56-Lead Lead Frame Chip Scale Package [LFCSP]  
8 mm × 8 mm Body and 0.75 mm Package Height (CP-56-11)  
Dimensions shown in millimeters

## ORDERING GUIDE

Model <sup>1</sup>	Temperature Range	Package Description	Package Option	Ordering Quantity
ADuC816BSZ	-40°C to +85°C	52-Lead Metric Quad Flat Package [MQFP]	S-52-2	
ADuC816BSZ-REEL	-40°C to +85°C	52-Lead Metric Quad Flat Package [MQFP]	S-52-2	1,000
ADuC816BCPZ	-40°C to +85°C	56-Lead Lead Frame Chip Scale Package [LFCSP]	CP-56-11	
ADuC816BCPZ-REEL	-40°C to +85°C	56-Lead Lead Frame Chip Scale Package [LFCSP]	CP-56-11	1,000

<sup>1</sup> Z = RoHS Compliant Part.

**REVISION HISTORY**

8/2016—Rev. A to Rev. B

Updated Outline Dimensions ..... 68

Changes to Ordering Guide ..... 68

## Данный компонент на территории Российской Федерации

### Вы можете приобрести в компании MosChip.

Для оперативного оформления запроса Вам необходимо перейти по данной ссылке:

<http://moschip.ru/get-element>

Вы можете разместить у нас заказ для любого Вашего проекта, будь то серийное производство или разработка единичного прибора.

В нашем ассортименте представлены ведущие мировые производители активных и пассивных электронных компонентов.

Нашей специализацией является поставка электронной компонентной базы двойного назначения, продукции таких производителей как XILINX, Intel (ex.ALTERA), Vicor, Microchip, Texas Instruments, Analog Devices, Mini-Circuits, Amphenol, Glenair.

Сотрудничество с глобальными дистрибьюторами электронных компонентов, предоставляет возможность заказывать и получать с международных складов практически любой перечень компонентов в оптимальные для Вас сроки.

На всех этапах разработки и производства наши партнеры могут получить квалифицированную поддержку опытных инженеров.

Система менеджмента качества компании отвечает требованиям в соответствии с ГОСТ Р ИСО 9001, ГОСТ РВ 0015-002 и ЭС РД 009

### Офис по работе с юридическими лицами:

105318, г.Москва, ул.Щербаковская д.3, офис 1107, 1118, ДЦ «Щербаковский»

Телефон: +7 495 668-12-70 (многоканальный)

Факс: +7 495 668-12-70 (доб.304)

E-mail: [info@moschip.ru](mailto:info@moschip.ru)

Skype отдела продаж:

moschip.ru

moschip.ru\_4

moschip.ru\_6

moschip.ru\_9