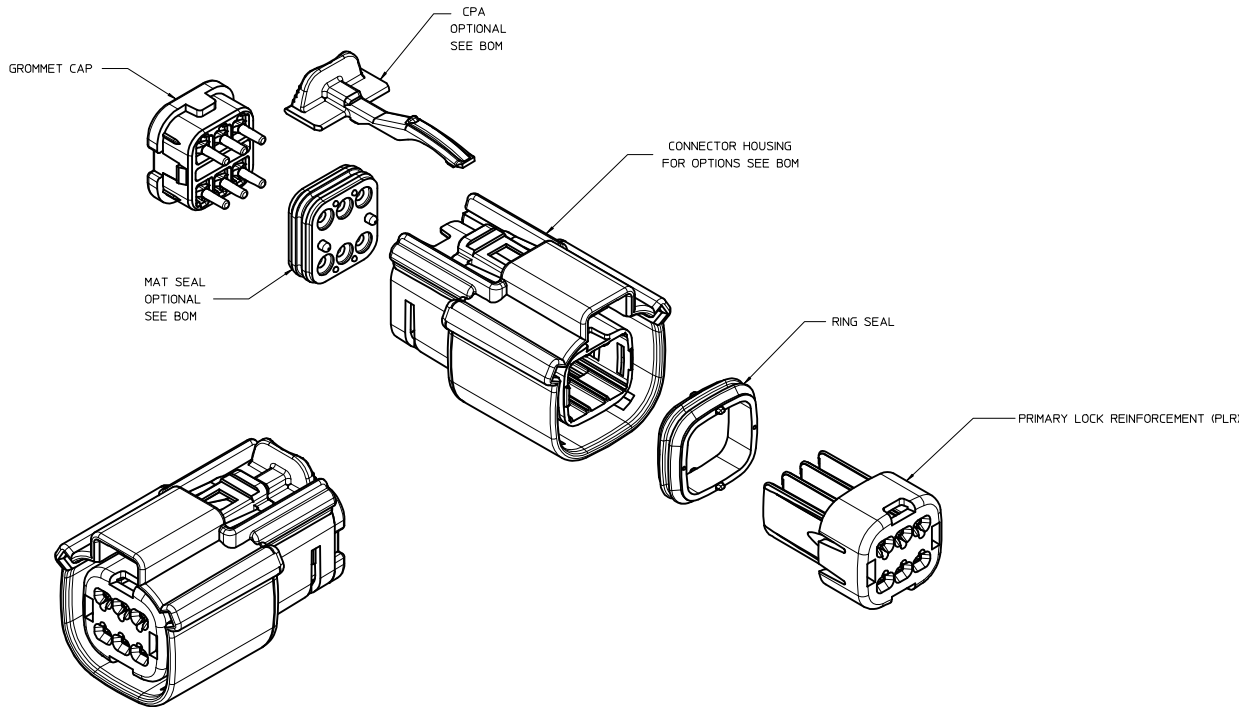


TABLE OF CONTENTS	
SHEET NO.	SHEET DESCRIPTION
1	NOTES
2	KEY CONFIGURATIONS
3	RECEPTACLE SEALED ASSEMBLY
4	BACKSHELL NOTES
5	BACKSHELL
6	BACKSHELL CONFIGURATIONS
7-8	BOM



NOTES: VALID UNLESS OTHERWISE SPECIFIED

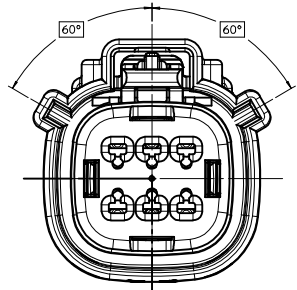
1. GENERAL:
 - a. APPLICATION SPECIFICATION SEE: AS-33472-100
 CONTAINS: PRODUCT INTRODUCTION, PRODUCT SUMMARY, CONNECTOR ASSEMBLY, PACKAGING INFORMATION, CONNECTOR MATING, SERVICE INSTRUCTIONS, ELECTRICAL CONTINUITY CHECKING CRITERIA, AND TROUBLESHOOTING
 -DESIGNED TO MATE WITH DEVICE CONNECTION AS SPECIFIED IN DRAWING EWCAP 150-S-006-2-202, AVAILABLE AT <http://ewcap.uscarteams.org/>
 -DESIGNED TO MATE WITH BLADE SEALED ASSEMBLY AS SPECIFIED IN DRAWING SD-33482-061
 -FOR 15mm RECEPTACLE TERMINALS TO BE USED WITH THIS ASSEMBLY SEE MOLEX DRAWING SD-33012-002
 - SYSTEM TO BE USED WITH WIRE WITHIN DIAMETER RANGE OF 1.2mm TO 2.69mm.
 -ASSEMBLY SHIPPED WITH PLR AND CPA IN PRE-LOCK POSITION (SEE SECTION Z-Z PRE-LOCK)
 -IN THE EVENT THAT THE PLR IS FOUND IN THE SEATED (FINAL LOCK) POSITION, REFER TO MOLEX SPECIFICATION PS-34646-001, AVAILABLE AT www.molex.com <http://www.molex.com>
 -ASSEMBLY CONFORMS TO SAE/USCAR-2 REV.4 WITH THE FOLLOWING EXCEPTIONS: ENGAGEMENT FORCE TO MOVE CPA FROM PRE-LOCK TO FINAL LOCK POSITION WHEN UNMATED: 40N MIN.
 DISENGAGEMENT FORCE TO MOVE CPA FROM FINAL LOCK TO PRE-LOCK POSITION: 3N MIN. 40N MAX.
 TERMINAL INSERTION FORCE FOR WIRE DIAMETER ABOVE 2.5mm NOT EXCEEDING 2.69mm SHALL NOT EXCEED 40 NEWTONS.
 PLR REMOVAL FROM FINAL LOCK TO PRE-LOCK POSITION SHALL NOT EXCEED 130 NEWTONS.
 - b. PRODUCT SPECIFICATION SEE: PS-33472-000
 CONTAINS: PRODUCT INTRODUCTION, PRODUCT SUMMARY, RATINGS (CURRENT, TEMPERATURE, SEALING, AND FLAMMABILITY), AND PRODUCT VALIDATION.
 - c. PACKAGING SPECIFICATION PER MOLEX DRAWING PK-31300-993
 - d. PARTS MUST BE IN COMPLIANCE TO MOLEX CHEMICAL SUBSTANCES FOR PRODUCTS AND PACKAGING SPECIFICATION ES-40000-5016
 - e. DATA MUST BE SUBMITTED UNDER THE MOLEX PART NUMBER TO IMDS (COMPANY ID:1525)
 - f. FOR INFORMATION ON 2X3 RECEPTACLE SEALED ASSEMBLY WITH CLIPSLOT SEE SD-33472-071
2. DESIGN - MATERIALS:
 - a. SEE BOM TABLE.
3. DESIGN - GEOMETRY:
 - a. THIS IS A 100% CAD GENERATED PART. THE CAD MATHEMATICAL DATA IS THE MASTER FOR THIS PART. FOR DIMENSIONAL OR ANY INFORMATION NOT SHOWN ON THIS DRAWING, ANALYZE THE CAD MODEL.
 - b. GEOMETRIC DIMENSIONS AND TOLERANCES PER ASME Y14.5M - 1994
 - c. EDGES AND UNDIMENSIONED DETAILS PER ISO13715
 - d. CORNERS SHOWN AS SHARP TO BE R 0.2 MAX.
 - e. LETTERING SHALL BE 0.15 MAX RAISED IN 0.25 MAX RECESS PAD.
 THIS INCLUDES RECYCLING CODE, CAVITY ID, VENDOR IDENTIFICATION, AND CUSTOMER MATERIAL NUMBER.
 - f. VISUAL DEFECTS SHALL MEET COSMETIC STANDARD PS-45499-002 (Class B)
 - g. LASER MARKING: TBD

INSPECTION NUMBER LOG
 LAST NUMBER USED:
 ADDED:
 REMOVED:

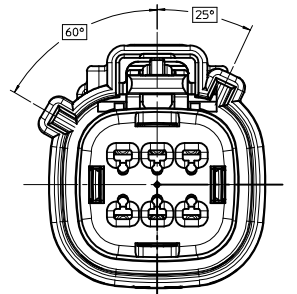
X6	RENAMED BACKSHELLS
X5	ADD NEW P/N 33472-0678 33472-0679 33472-0680
X4	UPDATED VIEWS
X3	UPDATED NOMENCLATURE SHEET 3
X2	ADD NEW P/N 33472-0677
X1	UPDATED NOTES
X	REDRAWN, ADDED BACKSHELL

ENTER DESCRIPTION DEC NO: 04/2013-14-35 DRAWN BY: DRWNGDAHLL CHKD: APPR: VKOSHY DATE: 2013/03/12 2013/03/15	QUALITY SYMBOLS ▽=0 ▽=0 ▽=0	GENERAL TOLERANCES (UNLESS SPECIFIED) mm INCH 4 PLACES ± --- ± --- 3 PLACES ± 0.10 ± --- 2 PLACES ± 0.3 ± --- 1 PLACE ± ± 0 PLACE ± ±	DIMENSION STYLE MM ONLY	DRAWN BY DATE DGRIFFI THS 06-05-03	TITLE MX150 2X3 RECEPTACLE SEALED ASSEMBLY MAT SEAL
				CHECKED BY DATE DGRIFFI THS 06-05-03	
MATERIAL NO. SEE BOM				DOCUMENT NO. SD-33472-061	
DRAFT WHERE APPLICABLE MUST REMAIN WITHIN DIMENSIONS				SHEET NO. 1 OF 8	
THIS DRAWING CONTAINS INFORMATION THAT IS PROPRIETARY TO MOLEX INCORPORATED AND SHOULD NOT BE USED WITHOUT WRITTEN PERMISSION					

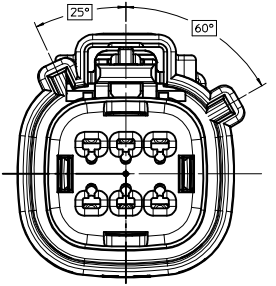
KEY CONFIGURATIONS



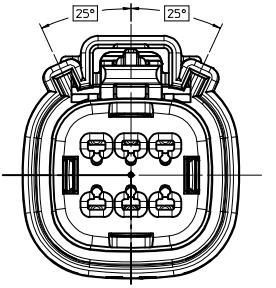
KEY A



KEY B



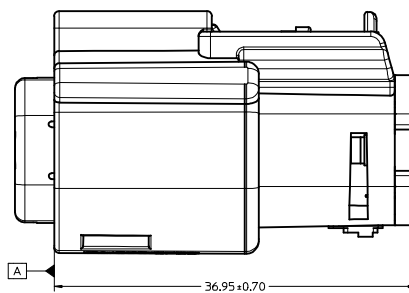
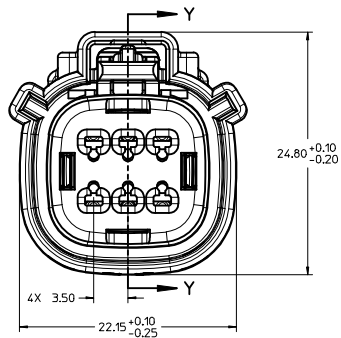
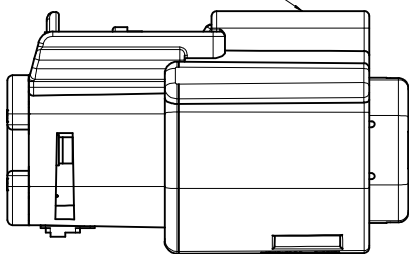
KEY C



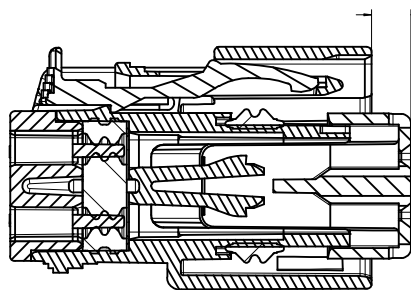
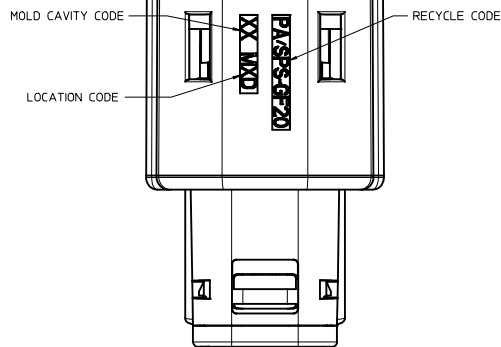
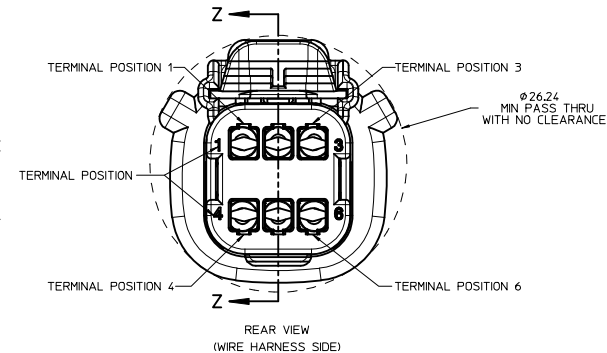
KEY D

ENTER DESCRIPTION EEC NO: UAU2013-1435 DRAWN BY: DRW:DAHALL CHKD: VKOSHY APPR: VKOSHY 2013/03/12 2013/03/15	QUALITY SYMBOLS ▽=0 ▽=0 ▽=0	GENERAL TOLERANCES (UNLESS SPECIFIED)		DIMENSION STYLE MM ONLY	SCALE 4:1	DESIGN UNITS METRIC	THIRD ANGLE PROJECTION
		4 PLACES ± mm ± INCH	DRAWN BY DGRIFITHS	DATE 06-05-03	TITLE MX150 2X3 RECEPTACLE SEALED ASSEMBLY MAT SEAL		
		3 PLACES ± 0.10 ± --- ± ---	CHECKED BY DGRIFITHS	DATE 06-05-03	MATERIAL NO. SEE BOM		
		2 PLACES ± 0.3 ± --- ± ---	APPROVED BY VKOSHY	DATE 2010/03/04	DOCUMENT NO. SD-33472-061	SHEET NO. 2 OF 8	
ANGLUAR ± 3 ° DRAFT WHERE APPLICABLE MUST REMAIN WITHIN DIMENSIONS		THIS DRAWING CONTAINS INFORMATION THAT IS PROPRIETARY TO MOLEX INCORPORATED AND SHOULD NOT BE USED WITHOUT WRITTEN PERMISSION					

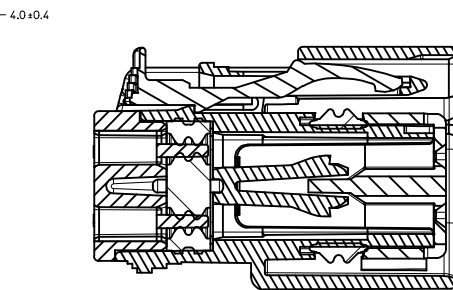
LASER MARKING ON THIS SURFACE
SEE NOTE 3g.



RECEPTACLE SEALED ASSEMBLY



PRIMARY LOCK REINFORCEMENT (PLR) SHOWN
IN PRE-STAGED POSITION
SECTION Z-Z



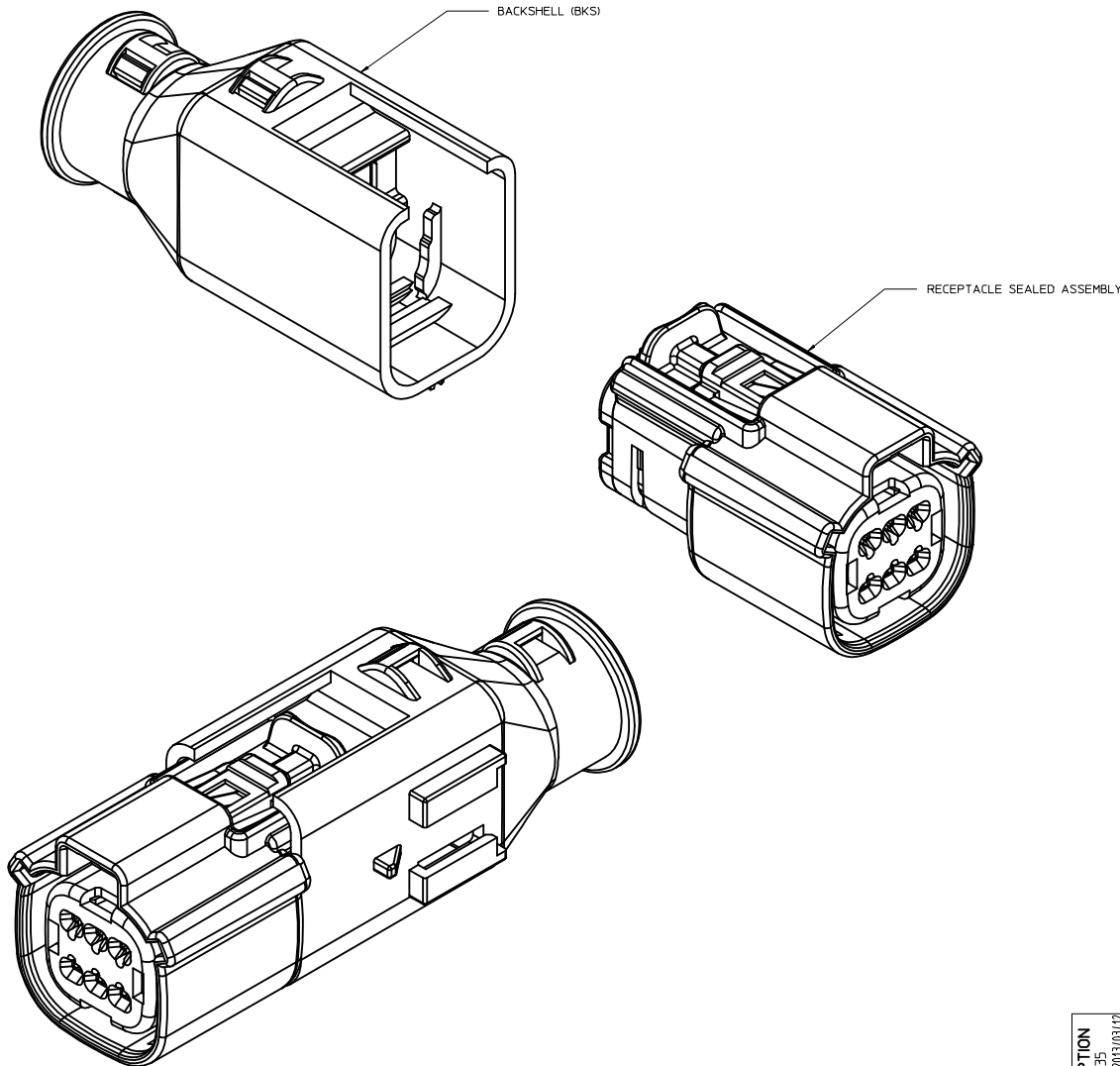
PRIMARY LOCK REINFORCEMENT (PLR) SHOWN
IN FINAL-LOCK POSITION
SECTION Y-Y

ENTER DESCRIPTION IEC NO. UAU2013-1435 DRAWN BY: DRW/DAHALL CHKD: APPR: VKOSHY 2013/03/12 2013/03/15 X6	QUALITY SYMBOLS ▽=0 ▽=0 ▽=0	GENERAL TOLERANCES (UNLESS SPECIFIED) mm INCH 4 PLACES ± --- ± --- 3 PLACES ± 0.10 ± --- 2 PLACES ± 0.3 ± --- 1 PLACE ± ± --- 0 PLACE ± ±	DIMENSION STYLE MM ONLY	SCALE 4:1	DESIGN UNITS METRIC	THIRD ANGLE PROJECTION
	DRAWN BY: DGRIFITHS DATE: 06-05-03 CHECKED BY: DGRIFITHS DATE: 06-05-03 APPROVED BY: VKOSHY DATE: 2010/03/04	MATERIAL NO. SEE BOM	TITLE MX150 2X3 RECEPTACLE SEALED ASSEMBLY MAT SEAL	DOCUMENT NO. SD-33472-061	SHEET NO. 3 OF 8	
	DRAFT WHERE APPLICABLE MUST REMAIN WITHIN DIMENSIONS					
	THIS DRAWING CONTAINS INFORMATION THAT IS PROPRIETARY TO MOLEX INCORPORATED AND SHOULD NOT BE USED WITHOUT WRITTEN PERMISSION					

BACKSHELL NOTES

BACKSHELL NOTES: VALID UNLESS OTHERWISE SPECIFIED

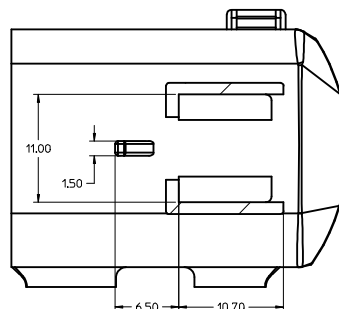
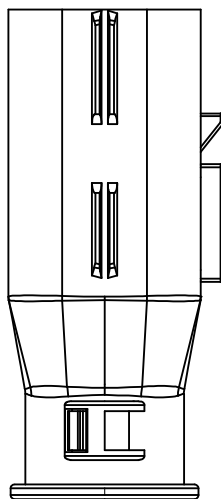
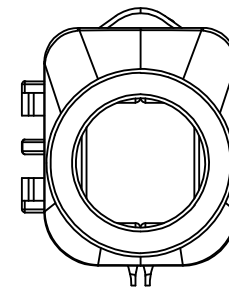
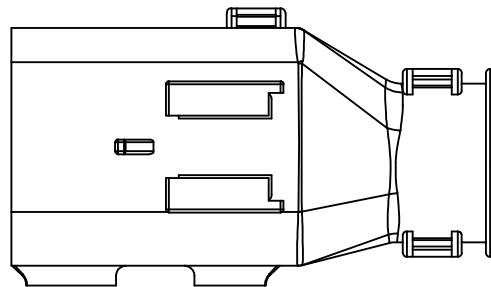
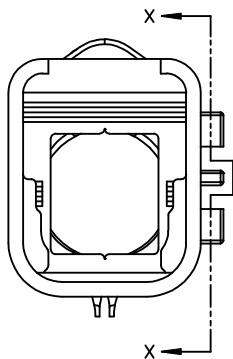
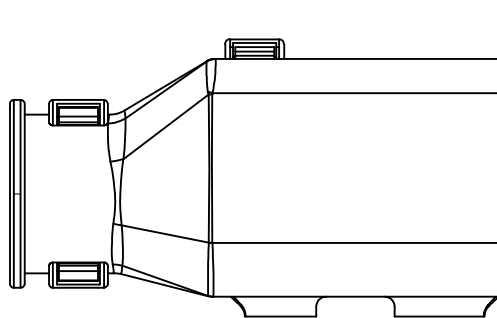
1. GENERAL:
 - a. APPLICATION SPECIFICATION SEE: AS-****TBD****
 -DESIGNED TO MATE WITH RECEPTACLE SEALED ASSEMBLY AS SPECIFIED IN DRAWING SD-33472-061
 -SYSTEM TO BE USED WITH WIRE WITHIN DIAMETER RANGE OF TBD mm TO TBD mm.
 -COMPONENTS ARE OPTIONAL AND MUST BE PURCHASED SEPARATELY
 -BACKSHELL DESIGN IS OWNED BY SCHLEMMER
 - b. PRODUCT SPECIFICATION SEE: PS-****TBD****
 - c. PACKAGING SPECIFICATION PER MOLEX DRAWING: PK-****TBD****
 - d. PARTS MUST BE IN COMPLIANCE TO MOLEX CHEMICAL SUBSTANCES FOR PRODUCTS AND PACKAGING SPECIFICATION: ES-40000-5016
 - e. DATA MUST BE SUBMITTED UNDER THE MOLEX PART NUMBER TO IMDS (COMPANY ID#13255)
2. DESIGN - MATERIALS:
 - a. PA66 0% GLASS FILLED
 - b. BLACK
3. DESIGN - GEOMETRY:
 - a. THIS IS A 100% CAD GENERATED PART. THE CAD MATHEMATICAL DATA IS THE MASTER FOR THIS PART. FOR DIMENSIONAL OR ANY INFORMATION NOT SHOWN ON THIS DRAWING, ANALYZE THE CAD MODEL.
 - b. GEOMETRIC DIMENSIONS AND TOLERANCES PER ASME Y14.5M - 2009
 - c. EDGES AND UNDIMENSIONED DETAILS PER ISO13715
 - d. CORNERS SHOWN AS SHARP TO BE R 0.2 MAX.
 - e. VISUAL DEFECTS SHALL MEET COSMETIC STANDARD PS-45499-002 (Class B).



ENTER DESCRIPTION DEC NO: UAU2013-1435 DRAWN BY: DRWNGR/HALL CHKD: APPR: VKOSHY 2013/03/15 DESCRIPTION REV:	QUALITY SYMBOLS ∇=0 ∇=0 ∇=0		GENERAL TOLERANCES (UNLESS SPECIFIED) mm INCH 4 PLACES ± .10 ± .004 3 PLACES ± .15 ± .005 2 PLACES ± 0.10 ± .004 1 PLACE ± 0.3 ± .012 0 PLACE ± ±		DIMENSION STYLE MM ONLY		SCALE 4:1	DESIGN UNITS METRIC	THIRD ANGLE PROJECTION
	DRAWN BY: DGRIFITHS DATE: 06-05-03 CHECKED BY: DATE:		APPROVED BY: VKOSHY DATE: 2010/03/04		MATERIAL NO: SEE BOM		DOCUMENT NO: SD-33472-061		SHEET NO: 4 OF 8
	ANGULAR ± 3 ° DRAFT WHERE APPLICABLE MUST REMAIN WITHIN DIMENSIONS		SIZE D		THIS DRAWING CONTAINS INFORMATION THAT IS PROPRIETARY TO MOLEX INCORPORATED AND SHOULD NOT BE USED WITHOUT WRITTEN PERMISSION				

20 19 18 17 16 15 14 13 12 11 10 9 8 7 6 5 4 3 2 1

BACKSHELL



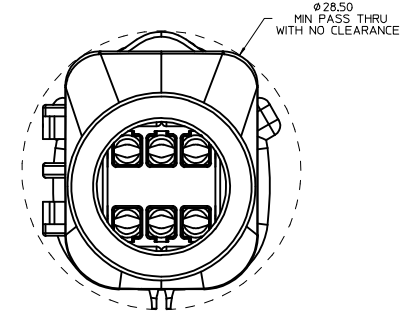
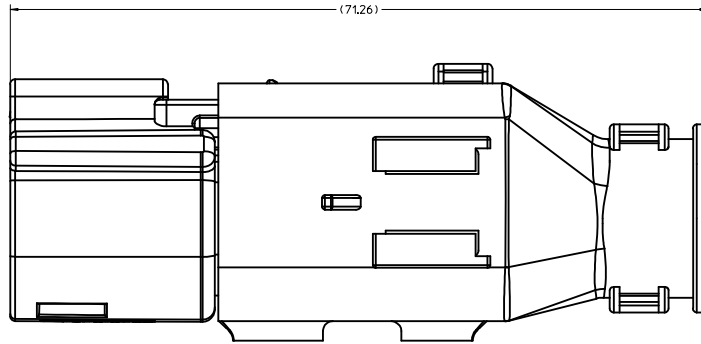
Partial X-X
SCALE 4:1

ENTER DESCRIPTION IEC NO. IAU2013-1435 DRAWN BY DRW/DAHALL CHKD: VKOSHY APPR: VKOSHY 2010/03/12 2013/03/15 X6 REV DESCRIPTION	QUALITY SYMBOLS ∇=0 ∇=0 ∇=0		GENERAL TOLERANCES (UNLESS SPECIFIED) mm INCH 4 PLACES ± .005 ± .0005 3 PLACES ± .010 ± .0004 2 PLACES ± 0.10 ± .0015 1 PLACE ± 0.3 ± .0045 0 PLACE ± ±		DIMENSION STYLE MM ONLY		SCALE 4:1	DESIGN UNITS METRIC	THIRD ANGLE PROJECTION
	DRAFT WHERE APPLICABLE MUST REMAIN WITHIN DIMENSIONS		ANGULAR ± 3 °		DRAWN BY DATE DGRIFITHS 06-05-03		TITLE MX150 2X3 RECEPTACLE SEALED ASSEMBLY MAT SEAL		
	MATERIAL NO. SEE BOM		APPROVED BY DATE VKOSHY 2010/03/04		DOCUMENT NO. SD-33472-061			SHEET NO. 5 OF 8	
	THIS DRAWING CONTAINS INFORMATION THAT IS PROPRIETARY TO MOLEX INCORPORATED AND SHOULD NOT BE USED WITHOUT WRITTEN PERMISSION								

19 18 17 16 15 14 13 12 11 10 9 8 7 6 5 4 3 2 1

20 19 18 17 16 15 14 13 12 11 10 9 8 7 6 5 4 3 2 1

BACKSHELL CONFIGURATIONS



RECEPTACLE SEALED ASSEMBLY WITH RECEPTACLE BACKSHELL

ENTER DESCRIPTION EEC NO: UAU2013-1435 DRAWN BY: DRW:DAHALL CHKD: CHYD: APPR: VKOSHY 2013/03/15 2013/03/15 REVISIONS 1 X6	QUALITY SYMBOLS ▽=0 ▽=0 ▽=0	GENERAL TOLERANCES (UNLESS SPECIFIED) <table border="1"> <thead> <tr> <th></th> <th>mm</th> <th>INCH</th> </tr> </thead> <tbody> <tr> <td>4 PLACES</td> <td>± .005</td> <td>± .0005</td> </tr> <tr> <td>3 PLACES</td> <td>± .005</td> <td>± .0005</td> </tr> <tr> <td>2 PLACES</td> <td>± 0.10</td> <td>± .004</td> </tr> <tr> <td>1 PLACE</td> <td>± 0.3</td> <td>± .012</td> </tr> <tr> <td>0 PLACE</td> <td>±</td> <td>±</td> </tr> </tbody> </table> ANGULAR ± 3 ° DRAFT WHERE APPLICABLE MUST REMAIN WITHIN DIMENSIONS		mm	INCH	4 PLACES	± .005	± .0005	3 PLACES	± .005	± .0005	2 PLACES	± 0.10	± .004	1 PLACE	± 0.3	± .012	0 PLACE	±	±	DIMENSION STYLE MM ONLY	SCALE 4:1	DESIGN UNITS METRIC	THIRD ANGLE PROJECTION
		mm	INCH																					
	4 PLACES	± .005	± .0005																					
	3 PLACES	± .005	± .0005																					
2 PLACES	± 0.10	± .004																						
1 PLACE	± 0.3	± .012																						
0 PLACE	±	±																						
DRAWN BY: DGRIFITHS DATE: 06-05-03 CHECKED BY: DGRIFITHS DATE: 06-05-03 APPROVED BY: VKOSHY DATE: 2010/03/04	MATERIAL NO. SEE BOM	TITLE MX150 2X3 RECEPTACLE SEALED ASSEMBLY MAT SEAL	DOCUMENT NO. SD-33472-061	SHEET NO. 6 OF 8																				
THIS DRAWING CONTAINS INFORMATION THAT IS PROPRIETARY TO MOLEX INCORPORATED AND SHOULD NOT BE USED WITHOUT WRITTEN PERMISSION																								
molex																								

19 18 17 16 15 14 13 12 11 10 9 8 7 6 5 4 3 2 1

DESCRIPTION	PART NUMBER	A	B	C	D	CPA	M	1	2	3	4	5	6	STATUS	COMMENTS	34951-0610 BKS WITH RIBS	34951-0620 BKS WITHOUT RIBS
VOID KEY	33472-0640																
KEY D, GREEN	33472-0639						D	M	1	2	3	4	5	6	NOT RECOMMENDED	OK TO TOOL	OK TO TOOL
KEY C, BROWN	33472-0638						C	M	1	2	3	4	5	6	NOT RECOMMENDED	OK TO TOOL	OK TO TOOL
KEY B, LIGHT GRAY	33472-0637		B					M	1	2	3	4	5	6		OK TO TOOL	OK TO TOOL
KEY A, BLACK	33472-0636		A					M	1	2	3	4	5	6	SALEABLE	OK TO TOOL	OK TO TOOL
VOID KEY	33472-0635																
KEY D, W/O MAT SEAL, GREEN	33472-0634						D								NOT RECOMMENDED	NOT VALIDATED	OK TO TOOL
KEY C, W/O MAT SEAL, BROWN	33472-0633						C								NOT RECOMMENDED	NOT VALIDATED	OK TO TOOL
KEY B, W/O MAT SEAL, LIGHT GRAY	33472-0632						B								NOT RECOMMENDED	NOT VALIDATED	OK TO TOOL
KEY A, W/O MAT SEAL, BLACK	33472-0631						A								NOT RECOMMENDED	NOT VALIDATED	OK TO TOOL
VOID KEY	33472-0630																
KEY D, W/ CPA, GREEN	33472-0629						D	CPA	M			3	4		NOT RECOMMENDED	OK TO TOOL	OK TO TOOL
KEY C, W/ CPA, BROWN	33472-0628						C	CPA	M			3	4		NOT RECOMMENDED	OK TO TOOL	OK TO TOOL
KEY B, W/ CPA, LIGHT GRAY	33472-0627						B	CPA	M			3	4			OK TO TOOL	OK TO TOOL
KEY A, W/ CPA, BLACK	33472-0626						A	CPA	M			3	4		SALEABLE	OK TO TOOL	OK TO TOOL
VOID KEY	33472-0625																
KEY D, GREEN	33472-0624						D	M				3	4		NOT RECOMMENDED	OK TO TOOL	OK TO TOOL
KEY C, BROWN	33472-0623						C	M				3	4		NOT RECOMMENDED	OK TO TOOL	OK TO TOOL
KEY B, LIGHT GRAY	33472-0622						B	M				3	4			OK TO TOOL	OK TO TOOL
KEY A, BLACK	33472-0621						A	M				3	4		SALEABLE	OK TO TOOL	OK TO TOOL
VOID KEY	33472-0620																
KEY D, W/ CPA, GREEN	33472-0619						D	CPA	M			3			NOT RECOMMENDED	OK TO TOOL	OK TO TOOL
KEY C, W/ CPA, BROWN	33472-0618						C	CPA	M			3			NOT RECOMMENDED	OK TO TOOL	OK TO TOOL
KEY B, W/ CPA, LIGHT GRAY	33472-0617						B	CPA	M			3				OK TO TOOL	OK TO TOOL
KEY A, W/ CPA, BLACK	33472-0616						A	CPA	M			3			SALEABLE	OK TO TOOL	OK TO TOOL
VOID KEY	33472-0615																
KEY D, GREEN	33472-0614						D	M				3			NOT RECOMMENDED	OK TO TOOL	OK TO TOOL
KEY C, BROWN	33472-0613						C	M				3			NOT RECOMMENDED	OK TO TOOL	OK TO TOOL
KEY B, LIGHT GRAY	33472-0612						B	M				3				OK TO TOOL	OK TO TOOL
KEY A, BLACK	33472-0611						A	M				3			SALEABLE	SAME AS P/N 33472-0658	OK TO TOOL
VOID KEY	33472-0610																
KEY D, W/ CPA, GREEN	33472-0609						D	CPA	M						NOT RECOMMENDED	SEE P/N 33472-0671	OK TO TOOL
KEY C, W/ CPA, BROWN	33472-0608						C	CPA	M						NOT RECOMMENDED	SEE P/N 33472-0670	OK TO TOOL
KEY B, W/ CPA, LIGHT GRAY	33472-0607						B	CPA	M							OK TO TOOL	OK TO TOOL
KEY A, W/ CPA, BLACK	33472-0606						A	CPA	M						SALEABLE	OK TO TOOL	OK TO TOOL
VOID KEY	33472-0605																
KEY D, GREEN	33472-0604						D	M							NOT RECOMMENDED	SEE P/N 33472-0669	OK TO TOOL
KEY C, BROWN	33472-0603						C	M							NOT RECOMMENDED	SEE P/N 33472-0668	OK TO TOOL
KEY B, LIGHT GRAY	33472-0602						B	M								OK TO TOOL	OK TO TOOL
KEY A, BLACK	33472-0601						A	M							SALEABLE	OK TO TOOL	OK TO TOOL
ASSEMBLY DESCRIPTION	ASSEMBLY PART NUMBER	A	B	C	D	C	D	CPA	M	1	2	3	4	5	6		

DESCRIPTION	COLOR	MATERIAL
RING SEAL	BURNT ORANGE	INHERENTLY LUBRICATED SILICONE
PLR	NATURAL	SPS/NYLON GF20
GROMMET CAP	BLACK	SPS/NYLON GF20
MAT SEAL	LIGHT BLUE	INHERENTLY LUBRICATED SILICONE
CPA	RED	PBT GF30
HOUSING KEYING OPTION D	STONE GRAY	SPS/NYLON GF20
HOUSING KEYING OPTION C	DARK GRAY	SPS/NYLON GF20
HOUSING KEYING OPTION D	GREEN	SPS/NYLON GF20
HOUSING KEYING OPTION C	BROWN	SPS/NYLON GF20
HOUSING KEYING OPTION B	LIGHT GRAY	SPS/NYLON GF20
HOUSING KEYING OPTION A	BLACK	SPS/NYLON GF20

BOM/APPLICABLE COMPONENTS TABLE

ABBREVIATION	COMPONENT
A	HOUSING KEY A
B	HOUSING KEY B
C	HOUSING KEY C
D	HOUSING KEY D
GC	GROMMET CAP
M	MAT SEAL
R	RING SEAL
P	PLR, STANDARD
CPA	CPA
BKS	BACKSHELL

ENTER DESCRIPTION EEC NO. UAU2013-1435 DRAWN BY: DRW/DAMALL CHKD: CHYD APPR: VKOSHY 2013/03/12 2013/03/15	QUALITY SYMBOLS ▽=0 ▽=0 ▽=0	GENERAL TOLERANCES (UNLESS SPECIFIED) DIMENSION STYLE: MM ONLY SCALE: METRIC DESIGN UNITS: METRIC THIRD ANGLE PROJECTION	DRAWN BY: DGRIFITHS DATE: 06-05-03 CHECKED BY: DATE DGRIFITHS 06-05-03 APPROVED BY: DATE VKOSHY 2010/03/04	MATERIAL NO.: SEE BOM DOCUMENT NO.: SD-33472-061 SHEET NO.: 7 OF 8
	ANGULAR ± 3 ° DRAFT WHERE APPLICABLE MUST REMAIN WITHIN DIMENSIONS	TITLE: MX150 2X3 RECEPTACLE SEALED ASSEMBLY MAT SEAL molex	THIS DRAWING CONTAINS INFORMATION THAT IS PROPRIETARY TO MOLEX INCORPORATED AND SHOULD NOT BE USED WITHOUT WRITTEN PERMISSION	

KEY	DESCRIPTION	QTY	UNIT	CPA	M	1	2	3	4	5	6	STATUS	COMMENTS	34951-0610 BKS WITH RIBS	34951-0620 BKS WITHOUT RIBS					
(X6)	KEY A, BLACK	33472-0680	A									SALEABLE		OK TO TOOL	OK TO TOOL					
(X6)	KEY A, W/ CPA, BLACK	33472-0679	A		CPA	M	1	2	3			SALEABLE		OK TO TOOL	OK TO TOOL					
(X6)	KEY B, LIGHT GRAY	33472-0678	B							5	6	SALEABLE		OK TO TOOL	OK TO TOOL					
(X6)	KEY B, LIGHT GRAY	33472-0677	B			M	1					SALEABLE		OK TO TOOL	OK TO TOOL					
(X6)	KEY B, W/ CPA, LIGHT GRAY	33472-0676	B		CPA	M	1				5	SALEABLE		OK TO TOOL	OK TO TOOL					
(X6)	KEY A, W/ CPA, BLACK	33472-0675	A		CPA	M						SALEABLE		OK TO TOOL	OK TO TOOL					
(X6)	KEY A, W/ CPA, BLACK	33472-0674	A		CPA	M					5	6	SALEABLE		OK TO TOOL	OK TO TOOL				
(X6)	KEY A, BLACK	33472-0673	A			M						6	SALEABLE		OK TO TOOL	OK TO TOOL				
(X6)	KEY B, LIGHT GRAY	33472-0672	B			M					5		SALEABLE		OK TO TOOL	OK TO TOOL				
(X6)	KEY D, W CPA, STONE GRAY	33472-0671			D	CPA	M						TOOLED BUT NOT VALIDATED	OK TO TOOL	OK TO TOOL					
(X6)	KEY C, W CPA, DARK GRAY	33472-0670			C	CPA	M						SALEABLE	OK TO TOOL	OK TO TOOL					
(X6)	KEY D, STONE GRAY	33472-0669			D	M							TOOLED BUT NOT VALIDATED	OK TO TOOL	OK TO TOOL					
(X6)	KEY C, DARK GRAY	33472-0668			C	M							SALEABLE	OK TO TOOL	OK TO TOOL					
(X6)	KEY A, BLACK	33472-0667	A			M	1		3		5	6	SALEABLE	OK TO TOOL	OK TO TOOL					
(X6)	KEY A, BLACK	33472-0666	A			M		2			5	6	SALEABLE	OK TO TOOL	OK TO TOOL					
(X6)	KEY A, BLACK	33472-0665	A			M	1						SALEABLE	OK TO TOOL	OK TO TOOL					
(X6)	KEY A, BLACK	33472-0664	A			M				4	5	6	SALEABLE	OK TO TOOL	OK TO TOOL					
(X6)	KEY A, BLACK	33472-0663	A			M					5	6	SALEABLE	OK TO TOOL	OK TO TOOL					
(X6)	KEY A, BLACK	33472-0662	A			M		2			5		SALEABLE	OK TO TOOL	OK TO TOOL					
(X6)	KEY A, BLACK	33472-0661	A			M		2					SALEABLE	OK TO TOOL	OK TO TOOL					
(X6)	KEY A, W/ CPA, BLACK	33472-0660	A		CPA	M	1	2	3	4	5	6	SALEABLE	OK TO TOOL	OK TO TOOL					
(X6)	KEY A, BLACK	33472-0659	A			M			3	5	6		SALEABLE	OK TO TOOL	OK TO TOOL					
(X6)	KEY A, BLACK	33472-0658	A			M				3			SALEABLE	OK TO TOOL	OK TO TOOL					
(X6)	VOID KEY	33472-0657																		
(X6)	KEY D, W/ CPA, GREEN	33472-0656			D	CPA	M	1		3	4	6	NOT RECOMMENDED	OK TO TOOL	OK TO TOOL					
(X6)	KEY C, W/ CPA, BROWN	33472-0655			C	CPA	M	1		3	4	6	NOT RECOMMENDED	OK TO TOOL	OK TO TOOL					
(X6)	KEY B, W/ CPA, LIGHT GRAY	33472-0654	B			CPA	M	1		3	4	6		OK TO TOOL	OK TO TOOL					
(X6)	KEY A, W/ CPA, BLACK	33472-0653	A			CPA	M	1		3	4	6	SALEABLE	OK TO TOOL	OK TO TOOL					
(X6)	VOID KEY	33472-0652																		
(X6)	KEY D, GREEN	33472-0651			D	M	1		3	4	6		NOT RECOMMENDED	OK TO TOOL	OK TO TOOL					
(X6)	KEY C, BROWN	33472-0650			C	M	1		3	4	6		NOT RECOMMENDED	OK TO TOOL	OK TO TOOL					
(X6)	KEY B, LIGHT GRAY	33472-0649	B			M	1		3	4	6			OK TO TOOL	OK TO TOOL					
(X6)	KEY A, BLACK	33472-0648	A			M	1		3	4	6		SALEABLE	OK TO TOOL	OK TO TOOL					
(X6)	VOID KEY	33472-0647																		
(X6)	KEY D, W/ CPA, GREEN	33472-0646			D	CPA	M	1		3	4		NOT RECOMMENDED	OK TO TOOL	OK TO TOOL					
(X6)	KEY C, W/ CPA, BROWN	33472-0645			C	CPA	M	1		3	4		NOT RECOMMENDED	OK TO TOOL	OK TO TOOL					
(X6)	KEY B, W/ CPA, LIGHT GRAY	33472-0644	B			CPA	M	1		3	4			OK TO TOOL	OK TO TOOL					
(X6)	KEY A, W/ CPA, BLACK	33472-0643	A			CPA	M	1		3	4		SALEABLE	OK TO TOOL	OK TO TOOL					
(X6)	KEY A, BLACK	33472-0642	A			M				4			SALEABLE	OK TO TOOL	OK TO TOOL					
(X6)	KEY A, BLACK	33472-0641	A			M		2	3	4	5		SALEABLE	OK TO TOOL	OK TO TOOL					
(X6)	ASSEMBLY DESCRIPTION	ASSEMBLY PART NUMBER	A	B	C	D	C	D	CPA	M	1	2	3	4	5	6	STATUS	COMMENTS	34951-0610 BKS WITH RIBS	34951-0620 BKS WITHOUT RIBS

DESCRIPTION	COLOR	MATERIAL
BLOCKED TERMINAL		
CAVITY WITH A NUMBER INDICATES BLOCKED TERMINAL POSITION		
CAVITY WITHOUT A NUMBER INDICATES OPEN TERMINAL POSITION		
RING SEAL	BURNT ORANGE	INHERENTLY LUBRICATED SILICONE
PLR	NATURAL	SPS/NYLON GF20
GROMMET CAP	BLACK	SPS/NYLON GF20
MAT SEAL	LIGHT BLUE	INHERENTLY LUBRICATED SILICONE
CPA	RED	PBT GF30
HOUSING KEYING OPTION D	STONE GRAY	SPS/NYLON GF20
HOUSING KEYING OPTION C	DARK GRAY	SPS/NYLON GF20
HOUSING KEYING OPTION D	GREEN	SPS/NYLON GF20
HOUSING KEYING OPTION C	BROWN	SPS/NYLON GF20
HOUSING KEYING OPTION B	LIGHT GRAY	SPS/NYLON GF20
HOUSING KEYING OPTION A	BLACK	SPS/NYLON GF20

BOM/APPLICABLE COMPONENTS TABLE

ABBREVIATION	COMPONENT
A	HOUSING KEY A
B	HOUSING KEY B
C	HOUSING KEY C
D	HOUSING KEY D
GC	GROMMET CAP
M	MAT SEAL
R	RING SEAL
P	PLR, STANDARD
CPA	CPA
BKS	BACKSHELL

ENTER DESCRIPTION EEC NO. UAU2013-1435 DRAWN BY: DRW/DW/DAHALL CHKD: CHYD APPR: VKOSHY DATE: 2013/03/12 REV: 2013/03/15	QUALITY SYMBOLS ∇=0 ∇=0 ∇=0	GENERAL TOLERANCES (UNLESS SPECIFIED) mm INCH 4 PLACES ± .010 ± .0005 3 PLACES ± .010 ± .0005 2 PLACES ± .010 ± .0005 1 PLACE ± .010 ± .0005 0 PLACE ± .010 ± .0005	DIMENSION STYLE MM ONLY	SCALE DESIGN UNITS METRIC	THIRD ANGLE PROJECTION
	DRAWN BY: DGRIFITHS DATE: 06-05-03 CHECKED BY: DGRIFITHS DATE: 06-05-03 APPROVED BY: VKOSHY DATE: 2010/03/04		MATERIAL NO. SEE BOM DOCUMENT NO. SD-33472-061		TITLE MX150 2X3 RECEPTACLE SEALED ASSEMBLY MAT SEAL
	ANGULAR ± 3 ° DRAFT WHERE APPLICABLE MUST REMAIN WITHIN DIMENSIONS		SIZE D		SHEET NO. 8 OF 8
	THIS DRAWING CONTAINS INFORMATION THAT IS PROPRIETARY TO MOLEX INCORPORATED AND SHOULD NOT BE USED WITHOUT WRITTEN PERMISSION				

Данный компонент на территории Российской Федерации

Вы можете приобрести в компании MosChip.

Для оперативного оформления запроса Вам необходимо перейти по данной ссылке:

<http://moschip.ru/get-element>

Вы можете разместить у нас заказ для любого Вашего проекта, будь то серийное производство или разработка единичного прибора.

В нашем ассортименте представлены ведущие мировые производители активных и пассивных электронных компонентов.

Нашей специализацией является поставка электронной компонентной базы двойного назначения, продукции таких производителей как XILINX, Intel (ex.ALTERA), Vicor, Microchip, Texas Instruments, Analog Devices, Mini-Circuits, Amphenol, Glenair.

Сотрудничество с глобальными дистрибьюторами электронных компонентов, предоставляет возможность заказывать и получать с международных складов практически любой перечень компонентов в оптимальные для Вас сроки.

На всех этапах разработки и производства наши партнеры могут получить квалифицированную поддержку опытных инженеров.

Система менеджмента качества компании отвечает требованиям в соответствии с ГОСТ Р ИСО 9001, ГОСТ РВ 0015-002 и ЭС РД 009

Офис по работе с юридическими лицами:

105318, г.Москва, ул.Щербаковская д.3, офис 1107, 1118, ДЦ «Щербаковский»

Телефон: +7 495 668-12-70 (многоканальный)

Факс: +7 495 668-12-70 (доб.304)

E-mail: info@moschip.ru

Skype отдела продаж:

moschip.ru

moschip.ru_4

moschip.ru_6

moschip.ru_9