



**MCP6V01
Input Offset
Demo Board
User's Guide**

Note the following details of the code protection feature on Microchip devices:

- Microchip products meet the specification contained in their particular Microchip Data Sheet.
- Microchip believes that its family of products is one of the most secure families of its kind on the market today, when used in the intended manner and under normal conditions.
- There are dishonest and possibly illegal methods used to breach the code protection feature. All of these methods, to our knowledge, require using the Microchip products in a manner outside the operating specifications contained in Microchip's Data Sheets. Most likely, the person doing so is engaged in theft of intellectual property.
- Microchip is willing to work with the customer who is concerned about the integrity of their code.
- Neither Microchip nor any other semiconductor manufacturer can guarantee the security of their code. Code protection does not mean that we are guaranteeing the product as "unbreakable."

Code protection is constantly evolving. We at Microchip are committed to continuously improving the code protection features of our products. Attempts to break Microchip's code protection feature may be a violation of the Digital Millennium Copyright Act. If such acts allow unauthorized access to your software or other copyrighted work, you may have a right to sue for relief under that Act.

Information contained in this publication regarding device applications and the like is provided only for your convenience and may be superseded by updates. It is your responsibility to ensure that your application meets with your specifications. MICROCHIP MAKES NO REPRESENTATIONS OR WARRANTIES OF ANY KIND WHETHER EXPRESS OR IMPLIED, WRITTEN OR ORAL, STATUTORY OR OTHERWISE, RELATED TO THE INFORMATION, INCLUDING BUT NOT LIMITED TO ITS CONDITION, QUALITY, PERFORMANCE, MERCHANTABILITY OR FITNESS FOR PURPOSE. Microchip disclaims all liability arising from this information and its use. Use of Microchip devices in life support and/or safety applications is entirely at the buyer's risk, and the buyer agrees to defend, indemnify and hold harmless Microchip from any and all damages, claims, suits, or expenses resulting from such use. No licenses are conveyed, implicitly or otherwise, under any Microchip intellectual property rights.

Trademarks

The Microchip name and logo, the Microchip logo, Accuron, dsPIC, KEELOQ, KEELOQ logo, MPLAB, PIC, PICmicro, PICSTART, rfPIC, SmartShunt and UNI/O are registered trademarks of Microchip Technology Incorporated in the U.S.A. and other countries.


FilterLab, Linear Active Thermistor, MXDEV, MXLAB, SEEVAL, SmartSensor and The Embedded Control Solutions Company are registered trademarks of Microchip Technology Incorporated in the U.S.A.

Analog-for-the-Digital Age, Application Maestro, CodeGuard, dsPICDEM, dsPICDEM.net, dsPICworks, dsSPEAK, ECAN, ECONOMONITOR, FanSense, In-Circuit Serial Programming, ICSP, ICEPIC, Mindi, MiWi, MPASM, MPLAB Certified logo, MPLIB, MPLINK, mTouch, PICkit, PICDEM, PICDEM.net, PICtail, PIC³² logo, PowerCal, PowerInfo, PowerMate, PowerTool, REAL ICE, rfLAB, Select Mode, Total Endurance, WiperLock and ZENA are trademarks of Microchip Technology Incorporated in the U.S.A. and other countries.

SQTP is a service mark of Microchip Technology Incorporated in the U.S.A.

All other trademarks mentioned herein are property of their respective companies.

© 2009, Microchip Technology Incorporated, Printed in the U.S.A., All Rights Reserved.

 Printed on recycled paper.

QUALITY MANAGEMENT SYSTEM
CERTIFIED BY DNV
== ISO/TS 16949:2002 ==

Microchip received ISO/TS-16949:2002 certification for its worldwide headquarters, design and wafer fabrication facilities in Chandler and Tempe, Arizona; Gresham, Oregon and design centers in California and India. The Company's quality system processes and procedures are for its PIC[®] MCUs and dsPIC[®] DSCs, KEELOQ[®] code hopping devices, Serial EEPROMs, microperipherals, nonvolatile memory and analog products. In addition, Microchip's quality system for the design and manufacture of development systems is ISO 9001:2000 certified.



MCP6V01 INPUT OFFSET DEMO BOARD USER'S GUIDE

Table of Contents

Preface	1
Introduction.....	1
Document Layout	1
Conventions Used in this Guide	2
Recommended Reading.....	3
The Microchip Web Site	3
Customer Support	3
Document Revision History	4
Chapter 1. Product Overview	
1.1 Introduction	5
1.2 Kit Contents	5
1.3 Intended Use	6
1.4 Description	6
Chapter 2. Installation and Operation	
2.1 Introduction	9
2.2 Required Tools	9
2.3 Connecting the Lab Equipment	9
2.4 Operating Conditions	10
2.5 Calculating the DUT's Input Offset Voltage	10
2.6 Converting Input Offset Voltage to Other Parameters	10
2.7 Reducing the Measurement Noise	12
Chapter 3. Possible Modifications	
3.1 Introduction	13
3.2 Changing the DUT	13
3.3 Connecting a Chip Select Pin to Ground	14
Appendix A. Schematics and Layouts	
A.1 Introduction	15
A.2 Schematic	15
A.3 Combination of the Top Silk Screen and Top Metal Layers	17
A.4 Top Silk Screen	17
A.5 Top Metal Layer	18
A.6 Bottom Metal Layer	18
Appendix B. Bill Of Materials (BOM)	
B.1 MCP6V01 Input Offset Demo Board BOM	19
Worldwide Sales and Service	20

MCP6V01 Input Offset Demo Board User's Guide

NOTES:



MCP6V01 INPUT OFFSET DEMO BOARD USER'S GUIDE

Preface

NOTICE TO CUSTOMERS

All documentation becomes dated, and this manual is no exception. Microchip tools and documentation are constantly evolving to meet customer needs, so some actual dialogs and/or tool descriptions may differ from those in this document. Please refer to our web site (www.microchip.com) to obtain the latest documentation available.

Documents are identified with a “DS” number. This number is located on the bottom of each page, in front of the page number. The numbering convention for the DS number is “DSXXXXA”, where “XXXX” is the document number and “A” is the revision level of the document.

For the most up-to-date information on development tools, see the MPLAB® IDE on-line help. Select the Help menu, and then Topics to open a list of available on-line help files.

INTRODUCTION

This chapter contains general information that will be useful to know before using the MCP6V01 Input Offset Demo Board. Items discussed in this chapter include:

- Document Layout
- Conventions Used in this Guide
- Recommended Reading
- The Microchip Web Site
- Customer Support
- Document Revision History

DOCUMENT LAYOUT

This document describes how to use the MCP6V01 Input Offset Demo Board. The manual layout is as follows:

- **Chapter 1. “Product Overview”** - Important information about the MCP6V01 Input Offset Demo Board.
- **Chapter 2. “Installation and Operation”** – Covers the initial set-up of the MCP6V01 Input Offset Demo Board. It lists the required tools and shows how to connect and set up the lab equipment. The basic theory on converting measurements to offset voltage, open-loop gain, CMRR, PSRR and input offset drift is given, along with a worked example. Hints are then given on reducing measurement noise.
- **Chapter 3. “Possible Modifications”** - Shows simple modifications to the MCP6V01 Input Offset Demo Board.
- **Appendix A. “Schematics and Layouts”** – Shows the schematic and board layouts for the MCP6V01 Input Offset Demo Board.
- **Appendix B. “Bill Of Materials (BOM)”** – Lists the parts used to build the sub-assemblies in the MCP6V01 Input Offset Demo Board.

MCP6V01 Input Offset Demo Board User's Guide

CONVENTIONS USED IN THIS GUIDE

This manual uses the following documentation conventions:

DOCUMENTATION CONVENTIONS

Description	Represents	Examples
Arial font:		
Italic characters	Referenced books	<i>MPLAB[®] IDE User's Guide</i>
	Emphasized text	...is the <i>only</i> compiler...
Initial caps	A window	the Output window
	A dialog	the Settings dialog
	A menu selection	select Enable Programmer
Quotes	A field name in a window or dialog	"Save project before build"
Underlined, italic text with right angle bracket	A menu path	<u><i>File>Save</i></u>
Bold characters	A dialog button	Click OK
	A tab	Click the Power tab
N'Rnnnn	A number in verilog format, where N is the total number of digits, R is the radix and n is a digit.	4'b0010, 2'hF1
Text in angle brackets < >	A key on the keyboard	Press <Enter>, <F1>
Courier New font:		
Plain Courier New	Sample source code	#define START
	Filenames	autoexec.bat
	File paths	c:\mcc18\h
	Keywords	_asm, _endasm, static
	Command-line options	-Opa+, -Opa-
	Bit values	0, 1
	Constants	0xFF, 'A'
Italic Courier New	A variable argument	<i>file.o</i> , where <i>file</i> can be any valid filename
Square brackets []	Optional arguments	mcc18 [options] <i>file</i> [options]
Curly brackets and pipe character: { }	Choice of mutually exclusive arguments; an OR selection	errorlevel {0 1}
Ellipses...	Replaces repeated text	var_name [, var_name...]
	Represents code supplied by user	void main (void) { ... }

RECOMMENDED READING

This user's guide describes how to use MCP6V01 Input Offset Demo Board. Other useful documents are listed below. The following Microchip documents are available and recommended as supplemental reference resources.

MCP6V01/2/3 Data Sheet, “300 μ A, Auto-Zeroed Op Amps”, DS22058

Gives detailed information on one op amp family that is used on the MCP6V01 Input Offset Demo Board.

MCP6021/1R/2/3/4 Data Sheet, “Rail-to-Rail Input/Output, 10 MHz Op Amps”, DS21685

Gives detailed information on another op amp family that is used on the MCP6V01 Input Offset Demo Board.

AN1177 Application Note, “Op Amp Precision Design: DC Errors”, DS01177

Discusses how to achieve high DC accuracy in op amp circuits. Also discusses the relationship between an op amp's input offset voltage (V_{OS}), CMRR, PSRR, Open-Loop Gain and V_{OS} Drift over Temperature.

THE MICROCHIP WEB SITE

Microchip provides online support via our web site at www.microchip.com. This web site is used as a means to make files and information easily available to customers. Accessible by using your favorite Internet browser, the web site contains the following information:

- **Product Support** – Data sheets and errata, application notes and sample programs, design resources, user's guides and hardware support documents, latest software releases and archived software
- **General Technical Support** – Frequently Asked Questions (FAQs), technical support requests, online discussion groups, Microchip consultant program member listing
- **Business of Microchip** – Product selector and ordering guides, latest Microchip press releases, listing of seminars and events, listings of Microchip sales offices, distributors and factory representatives

CUSTOMER SUPPORT

Users of Microchip products can receive assistance through several channels:

- Distributor or Representative
- Local Sales Office
- Field Application Engineer (FAE)
- Technical Support
- Development Systems Information Line

Customers should contact their distributor, representative or field application engineer for support. Local sales offices are also available to help customers. A listing of sales offices and locations is included in the back of this document.

Technical support is available through the web site at: <http://support.microchip.com>

MCP6V01 Input Offset Demo Board User's Guide

DOCUMENT REVISION HISTORY

Revision A (March 2009)

- Initial Release of this Document.

Chapter 1. Product Overview

1.1 INTRODUCTION

The MCP6V01 Input Offset Demo Board is described by the following:

- Assembly #: 102-00227-R3
- Order #: MCP6V01DM-VOS
- Name: MCP6V01 Input Offset Demo Board

Items discussed in this chapter include:

- Kit Contents
- Intended Use
- Description

1.2 KIT CONTENTS

This MCP6V01 Input Offset Demo Board Kit includes:

- Assembled Printed Circuit Board (PCB)
- Important Information "Read First"
- Analog and Interface Products Demonstration Boards CD-ROM (DS21912)
Includes:
 - MCP6V01 Input Offset Demo Board User's Guide, (DS51801)



FIGURE 1-1: MCP6V01 Input Offset Demo Board Contents.

MCP6V01 Input Offset Demo Board User's Guide

1.3 INTENDED USE

The MCP6V01 Input Offset Demo Board is intended to provide a simple means to measure the MCP6V01/2/3 op amp's input offset voltage (V_{OS}) under a variety of bias conditions. This V_{OS} includes the specified input offset voltage value found in the data sheet plus changes due to power supply voltage (PSRR), common mode voltage (CMRR), output voltage (A_{OL}) and temperature ($\Delta V_{OS}/\Delta T_A$).

1.4 DESCRIPTION

Figure 1-2 shows the block diagram for the MCP6V01 Input Offset Demo Board.

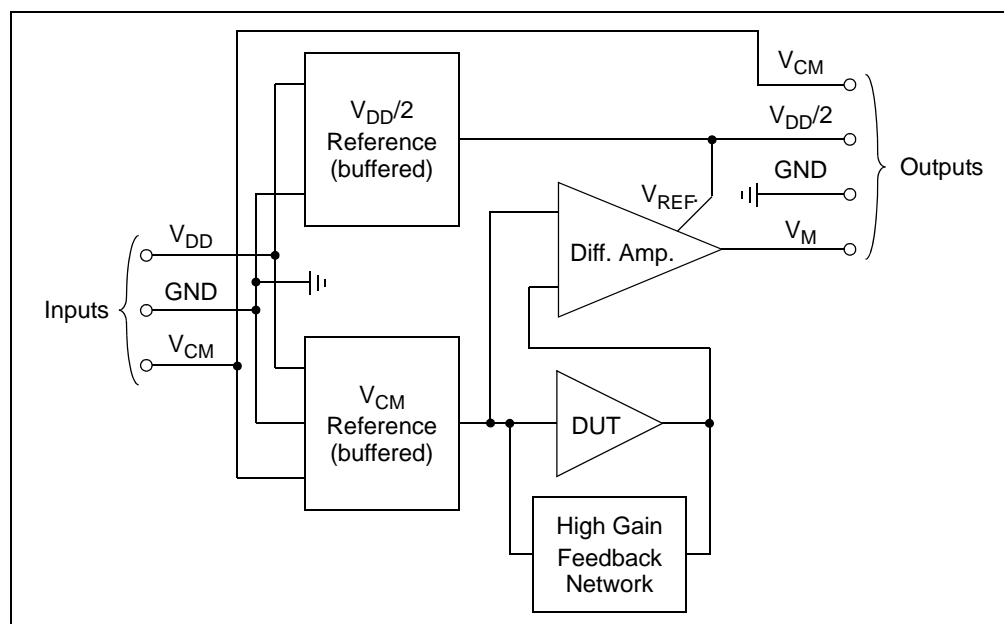


FIGURE 1-2: Block Diagram.

This circuit does the following:

- Supports Microchip's auto-zeroed, single op amps:
 - SOIC-8 package
 - Used as both Device Under Test (DUT) and in a difference amplifier
- Test points for connecting lab equipment
- Single supply configuration
- The bias inputs V_{DD} , V_{CM} and GND set the conditions for the DUT
- The $V_{DD}/2$ Reference uses a resistor ladder to divide V_{DD} in half, then buffers that voltage with an op amp in unity gain
- The V_{CM} Reference:
 - Has a resistor divider at the input that sets $V_{CM} = V_{DD}/2$ when that input is left open
 - When V_{CM} is driven by an external voltage source, the resistor divider has no effect on V_{CM}
 - V_{CM} is buffered
- The High Gain Feedback Network and DUT together:
 - Have a noise gain of $G_N \approx 10.0$ kV/V
 - Have a common mode gain of 1 V/V
 - Produce an output voltage of $G_N V_{OS} + V_{CM}$

- The Difference Amplifier (Diff. Amp.):
 - Rejects the DUT's common mode output (V_{CM})
 - Provides additional gain ($G_{DA} \approx 10.0$ V/V) to the term $G_N V_{OS}$ at the DUT's output
 - Shifts the output so it is centered on the reference $V_{REF} = V_{DD}/2$
 - Produce an output voltage of $G_{DA} G_N V_{OS} + V_{DD}/2$

The inputs:

- Allow the DUT to be biased at most valid bias points
- Allow V_{CM} to set by the circuit at $V_{DD}/2$, or set by the user

The outputs:

- Make it easy to measure the important bias voltages $V_{DD}/2$ and V_{CM}
- Make it easy to measure $V_M - V_{DD}/2 = G_{DA} G_N V_{OS}$

MCP6V01 Input Offset Demo Board User's Guide

NOTES:

Chapter 2. Installation and Operation

2.1 INTRODUCTION

This chapter shows how to set up the MCP6V01 Input Offset Demo Board. Items discussed in this chapter include:

- Required Tools
- Connecting the Lab Equipment
- Operating Conditions
- Calculating the DUT's Input Offset Voltage (V_{OS})
- Converting Input Offset Voltage to Other Parameters
- Reducing the Measurement Noise

2.2 REQUIRED TOOLS

- Lab Power Supplies:
 - Two outputs
 - 0V to 5.5V minimum range
 - Adjustable
- One Voltmeter:
 - 1 mV resolution
 - -6V to +6V minimum range
 - Differential measurement (e.g., hand held meter)

2.3 CONNECTING THE LAB EQUIPMENT

Lab equipment is connected to this board as shown in Figure 2-1. The (surface mount) test points allow lab equipment to be connected to these boards. The power supplies are connected at the right. The voltmeter is connected at the four different points shown.

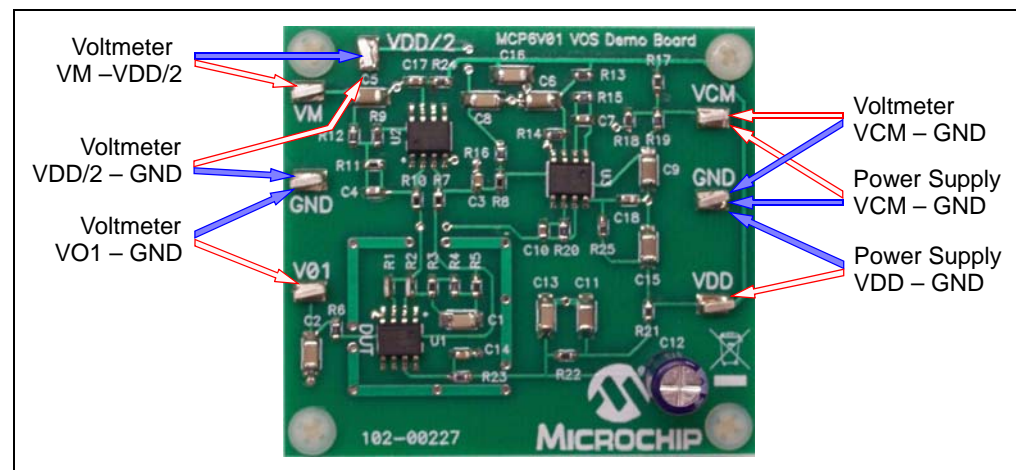


FIGURE 2-1: Board Connections for the MCP6V01 Input Offset Demo Board.

MCP6V01 Input Offset Demo Board User's Guide

2.4 OPERATING CONDITIONS

This board works most effectively at room temperature (near +25°C). Measurements at other temperatures should be done in an oven where the air velocity is minimal.

The power supply (V_{DD}) should be between 1.8V and 5.5V.

The common mode voltage (V_{CM}) needs to be between 0.3V and $V_{DD} - 0.3V$ for proper operation of this demo board.

2.5 CALCULATING THE DUT'S INPUT OFFSET VOLTAGE

The DUT's total input offset voltage (V_{OST}) can be calculated from a measurement as shown in Equation 2-1.

EQUATION 2-1:

$$V_{OST} = (V_M - V_{DD}/2) \cdot (1/(G_{DA} G_N))$$

Where:

$$1/(G_{DA} G_N) \approx 10.0 \mu V/V$$

2.6 CONVERTING INPUT OFFSET VOLTAGE TO OTHER PARAMETERS

2.6.1 Theory

Changing the bias voltages changes the input offset voltage. Microchip's application note AN1177 discusses in detail how these changes in V_{OS} are related to specifications found in our data sheets. The following list summarizes the parameters that contribute to V_{OST} :

- Specified Input Offset Voltage:
 - V_{OS} = Input offset at the specified bias point
- DC Common Mode Rejection Ratio:
 - $CMRR = \Delta V_{CM} / \Delta V_{OS}$
- DC Power Supply Rejection Ratio:
 - $PSRR = (\Delta V_{DD} - \Delta V_{SS}) / \Delta V_{OS}$
- DC Open-Loop Gain:
 - $A_{OL} = \Delta V_{OUT} / \Delta V_{OS}$
- Input Offset Drift over Temperature:
 - $\Delta V_{OS} / \Delta T_A$

Note: The data sheet Input Offset Voltage (V_{OS}) specification applies to one bias point and temperature only. The total input offset voltage (V_{OST}) includes V_{OS} and other changes in input offset as bias voltages and temperature change.

Installation and Operation

Example 2-1 gives an example of how V_{OST} changes with the common mode input voltage (V_{CM}).

EXAMPLE 2-1: COMMON MODE CHANGE EXAMPLE

Given:

$$V_{OST} = 0.5 \mu\text{V}, \quad V_{CM} = 0\text{V}$$

$$V_{OST} = 1.0 \mu\text{V}, \quad V_{CM} = 5\text{V}$$

Then:

$$\Delta V_{OST} = 0.5 \mu\text{V}$$

$$\Delta V_{CM} = 5.0\text{V}$$

$$\text{CMRR} = 5.0\text{V} / 0.5 \mu\text{V}$$

$$= 10 \text{ V}/\mu\text{V}$$

$$= 140 \text{ dB}$$

2.6.2 Application

When the common mode voltage (V_{CM}) is changed on this demo board, the output voltage (V_{OUT}) is forced to change by the same amount. There is no means provided to independently change V_{CM} and V_{OUT} . Thus, it is not possible to separate the Open-Loop Gain (A_{OL}) effect from the CMRR effect using this board.

Note: V_{OUT} cannot be changed independently of V_{CM} , so A_{OL} and CMRR cannot be distinguished using this circuit.

Since A_{OL} is usually much better than CMRR for the MCP6V0X op amps, we can attribute most of the change to CMRR and ignore A_{OL} in most cases. Table 2-1 shows one possible measurement matrix that will allow the user to estimate key parameters for the DUT.

TABLE 2-1: MEASUREMENT MATRIX

Operating Inputs (Note 1)			Measurement	
T_A (°C)	V_{DD} (V)	V_{CM} (V)	Symbol	Comments
+25	5.5	OFF	V_{M1}	Quick Check
		$V_{DD}/3$	V_{M2}	V_{OS} and PSRR
		0.5	V_{M3}	CMRR and A_{OL}
		5.0	V_{M4}	
	1.8	$V_{DD}/3$	V_{M5}	V_{OS} and PSRR
		0.3	V_{M6}	CMRR and A_{OL}
		1.5	V_{M7}	
-40	5.5	$V_{DD}/3$	V_{M8}	V_{OS} at temperature and $\Delta V_{OS}/\Delta T_A$
+85		$V_{DD}/3$	V_{M9}	
+125		$V_{DD}/3$	V_{M10}	

Note 1: $V_{SS} = \text{GND} = 0\text{V}$. $V_{CM} = \text{OFF}$ means that its power supply is off ($V_{CM} = V_{DD}/2$).
 $V_{OUT} \approx V_{CM}$.

Based on these measurements, we can make the following estimates, where the V_{OST_k} values are calculated from the measured V_{Mk} values (see Equation 2-1):

MCP6V01 Input Offset Demo Board User's Guide

TABLE 2-2: ESTIMATES

Operating Inputs		Estimate	
V _{DD} (V)	T _A (°C)	Equations (Note 1)	Units
1.8 and 5.5	-40 to +125	1/A _{OL} = 0, by assumption	μV/V
	+25	1/PSRR = (V _{OST_2} - V _{OST_5}) / (3.7V)	μV/V
5.5	-40	V _{OS} = V _{OST_8}	μV
	+25	V _{OS} = V _{OST_2}	μV
	+85	V _{OS} = V _{OST_9}	μV
	+125	V _{OS} = V _{OST_10}	μV
	-40 to +125	ΔV _{OS} /ΔT _A = (V _{OST_10} - V _{OST_8}) / (165°C)	μV/°C
	+25	1/CMRR = {(V _{OST_4} - V _{OST_3}) / (4.5V)}	μV/V
1.8	+25	V _{OS} = V _{OST_5}	μV
		1/CMRR = (V _{OST_7} - V _{OST_6}) / (1.2V)	μV/V

Note 1: V_{OST_k} is calculated from V_{Mk} using Equation 2-1.

Obviously, other values of T_A, V_{DD}, ... can be used instead, with the proper adjustments to these equations.

2.7 REDUCING THE MEASUREMENT NOISE

The noise seen in the measurements is a result of the design choices made for the MCP6V01 Input Offset Demo Board. The components R12 and C5 set a lowpass pole at 0.16 Hz, which gives reasonable noise performance ($\pm 0.2 \mu\text{V}_{\text{PK}}$ referred to the input of the DUT) and settling time (1 to 2 seconds).

To achieve lower noise in your results, average many measurements together. For instance, measuring the output ($V_M - V_{\text{DD}}/2$) once a second for 16 seconds (16 samples) should produce an estimate with noise $\sqrt{16} = 4$ times lower (i.e., $\pm 0.05 \mu\text{V}_{\text{PK}}$).

There is a practical limit on increasing the sample rate; the noise does not improve significantly after a certain point. The analog lowpass pole at 0.16 Hz causes closely spaced samples to be correlated. To avoid the overhead caused by sampling too fast, keep the sampling period near or above the pole's time constant (1.0s); this gives a minimum sample rate of 1 sample per second.

Note: Sampling much faster than 1 SPS will not improve the averaged noise of this board's output significantly.

Chapter 3. Possible Modifications

3.1 INTRODUCTION

This chapter shows simple modifications to the MCP6V01 Input Offset Demo Board:

- Changing the DUT
- Connecting a Chip Select Pin to Ground

3.2 CHANGING THE DUT

Change the DUT (see Figure 3-1) to the MCP6V06 Op Amp as follows:

1. Remove U1 from the PCB, using a de-soldering tool.
2. Solder a MCP6V06 op amp in its place. Use a MCP6V06 in a SOIC-8 package. Pin 1 is next to the U1 reference designator on the PCB (not next to the DUT label)

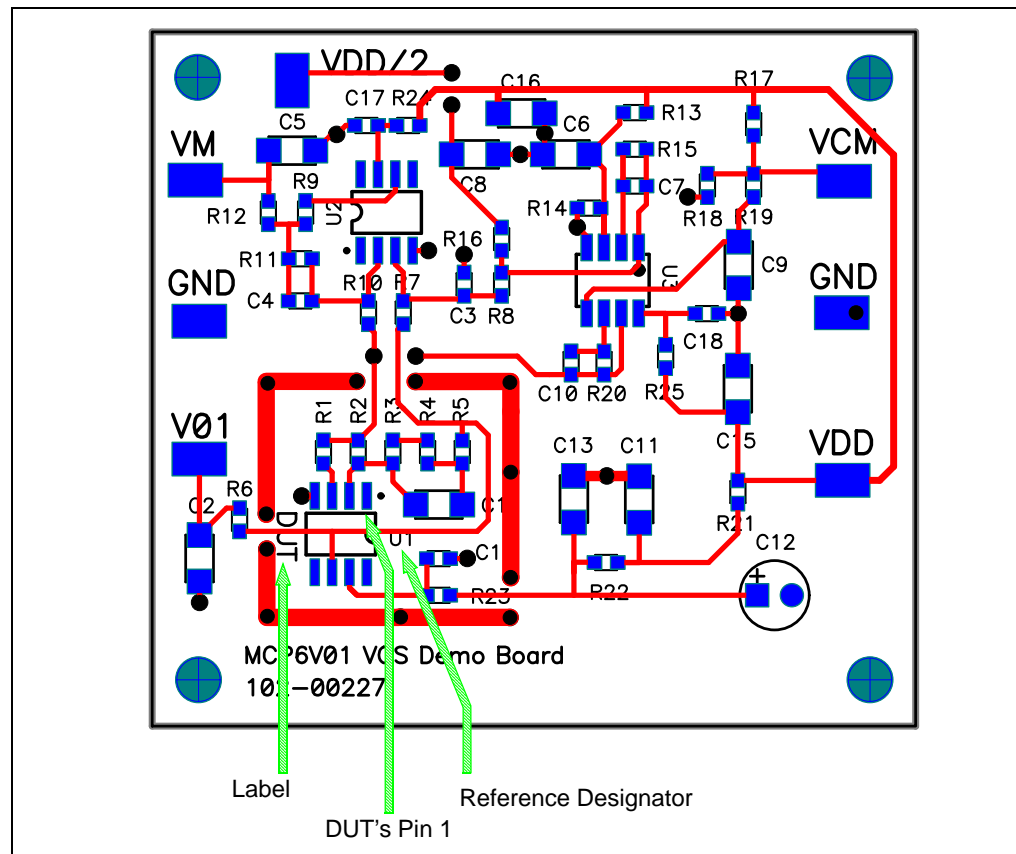


FIGURE 3-1: Location and Orientation of DUT.

MCP6V01 Input Offset Demo Board User's Guide

3.3 CONNECTING A CHIP SELECT PIN TO GROUND

The DUT can be changed to the MCP6V03 or MCP6V08 op amps with chip select. If desired, their Chip Select pin (pin 8) can be forced to ground. This is done as follows (see Figure 3-2):

1. Solder one end of a wire to the DUT's pin 8. Pin 8 is next to the U1 reference designator on the PCB (not next to the DUT label)
2. Solder the other end of the wire the closest ground via on the PCB. The striped green arrow to the right in the figure shows the location. The solid green curve represents the wire.

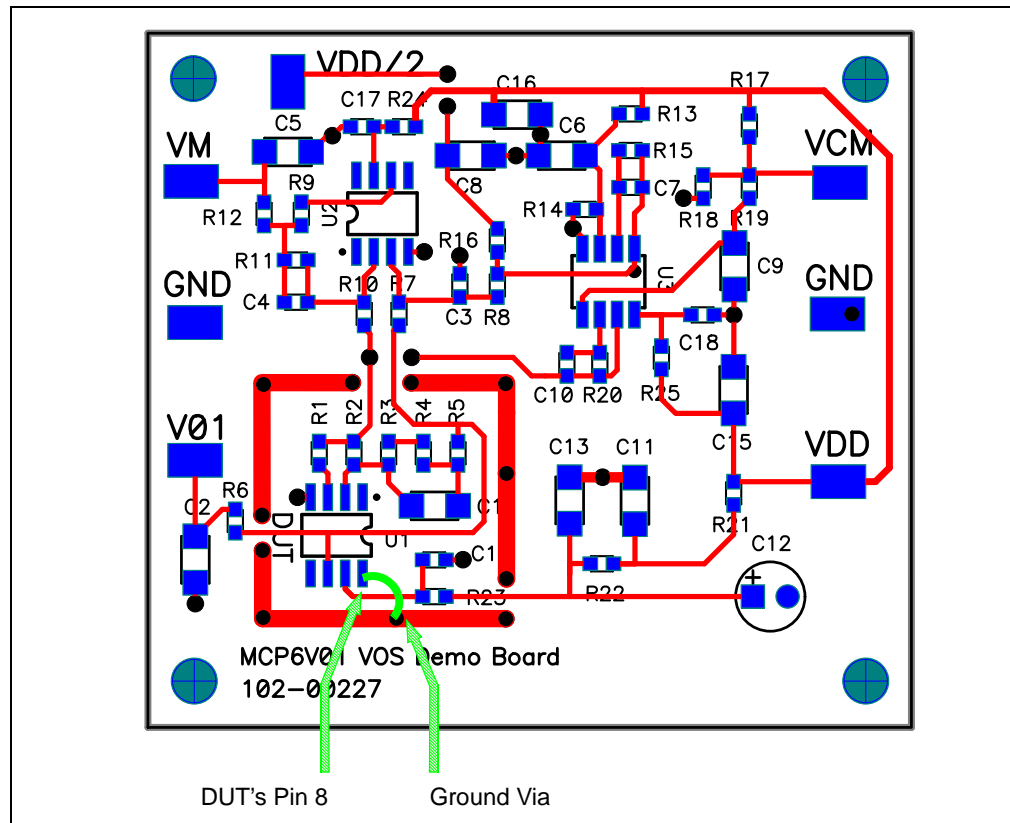


FIGURE 3-2: Location and Orientation of DUT.

Appendix A. Schematics and Layouts

A.1 INTRODUCTION

This appendix contains the schematics and layouts for the MCP6V01 Input Offset Demo Board.

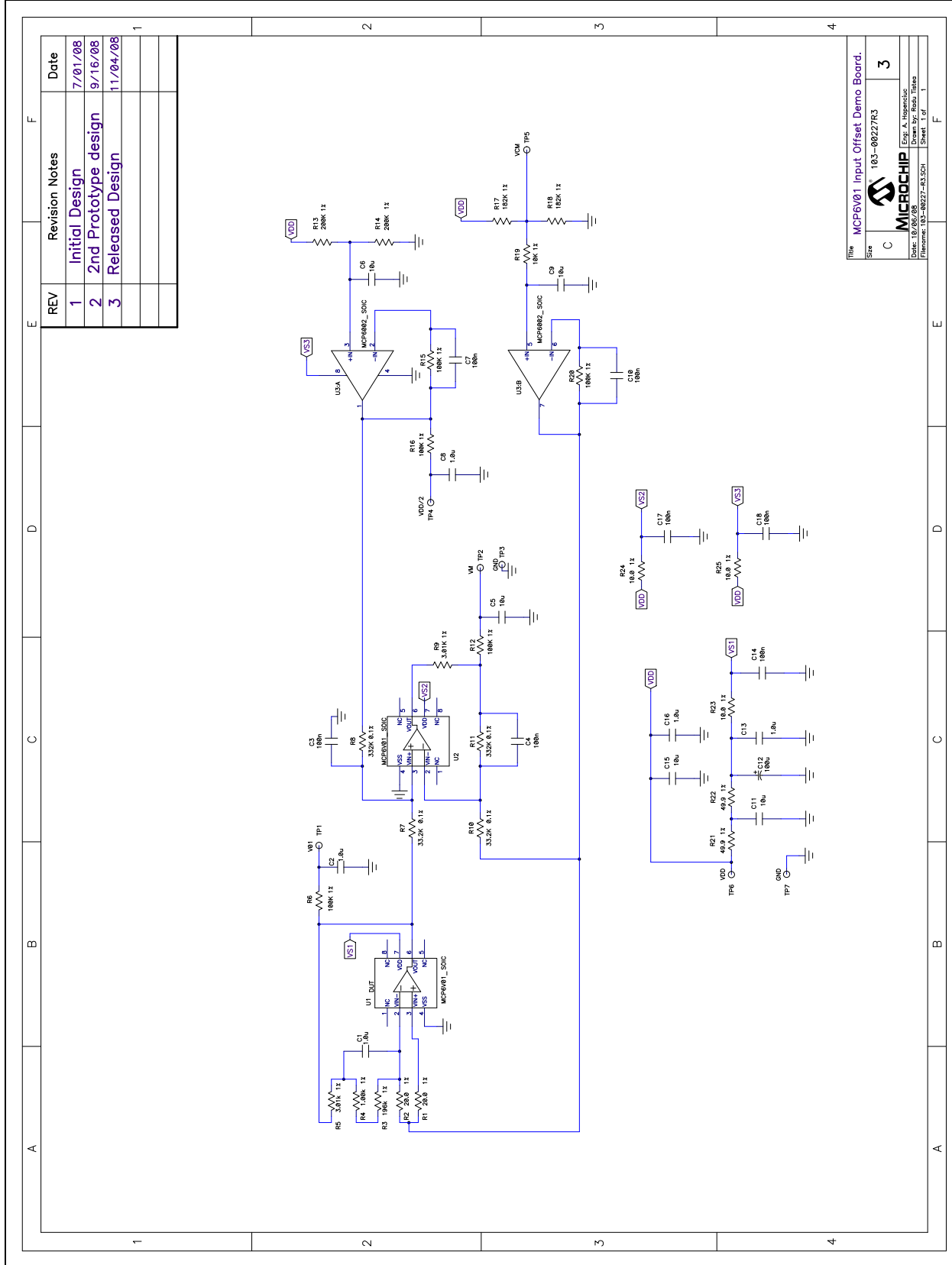
The Gerber files for this board are available on the Microchip website (www.microchip.com) and are contained in the "00227R3_Gerbers.zip" zip file .

A.2 SCHEMATIC

See below the circuit diagram. On the left is the DUT (U1), which produces the common mode voltage plus the DUT's input offset (V_{OS}) times a gain. In the middle is the difference amplifier that amplifies and level shifts the DUT's output minus the mid-supply reference voltage. On the top right is the mid-supply reference ($V_{DD}/2$) and buffer. On the middle right is the common mode voltage reference (VCM) with buffer. On the bottom are the supply bypass capacitors and filter resistors.

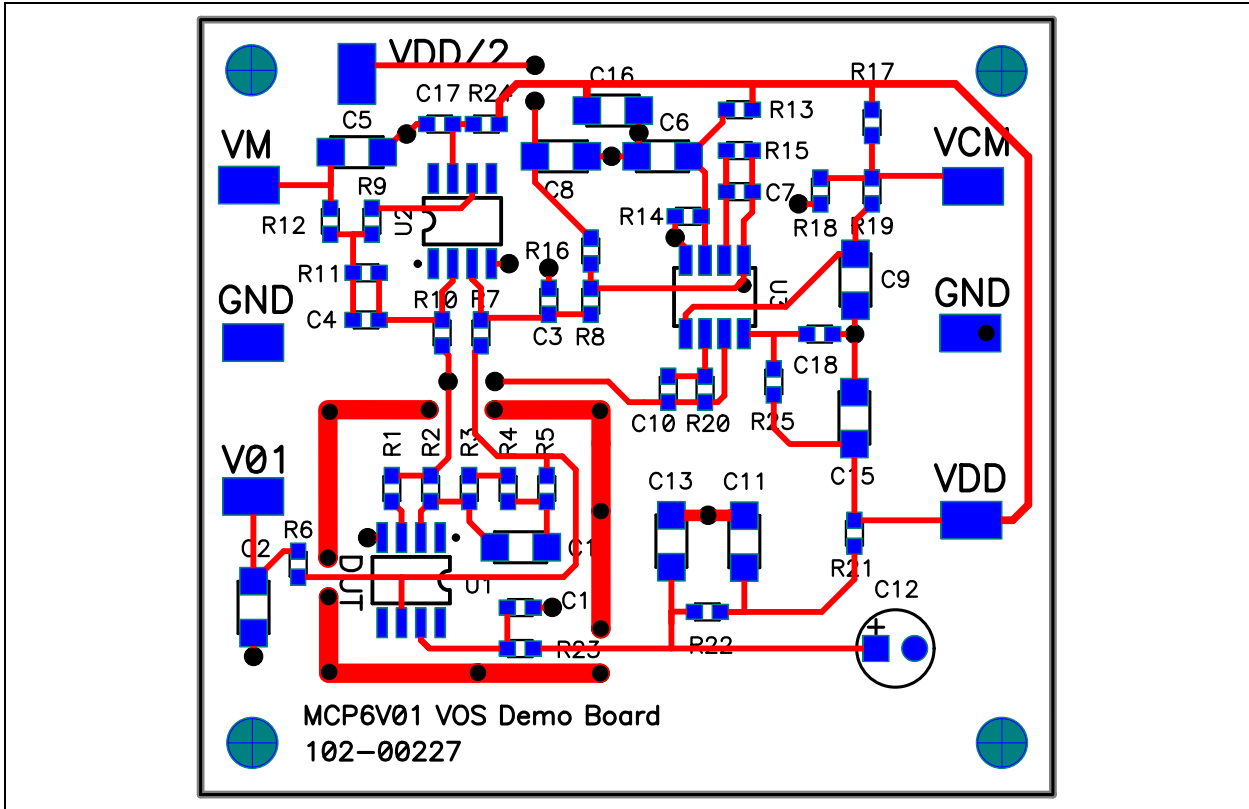
MCP6V01 Input Offset Demo Board User's Guide

A.2 BOARD SCHEMATIC (Continued)

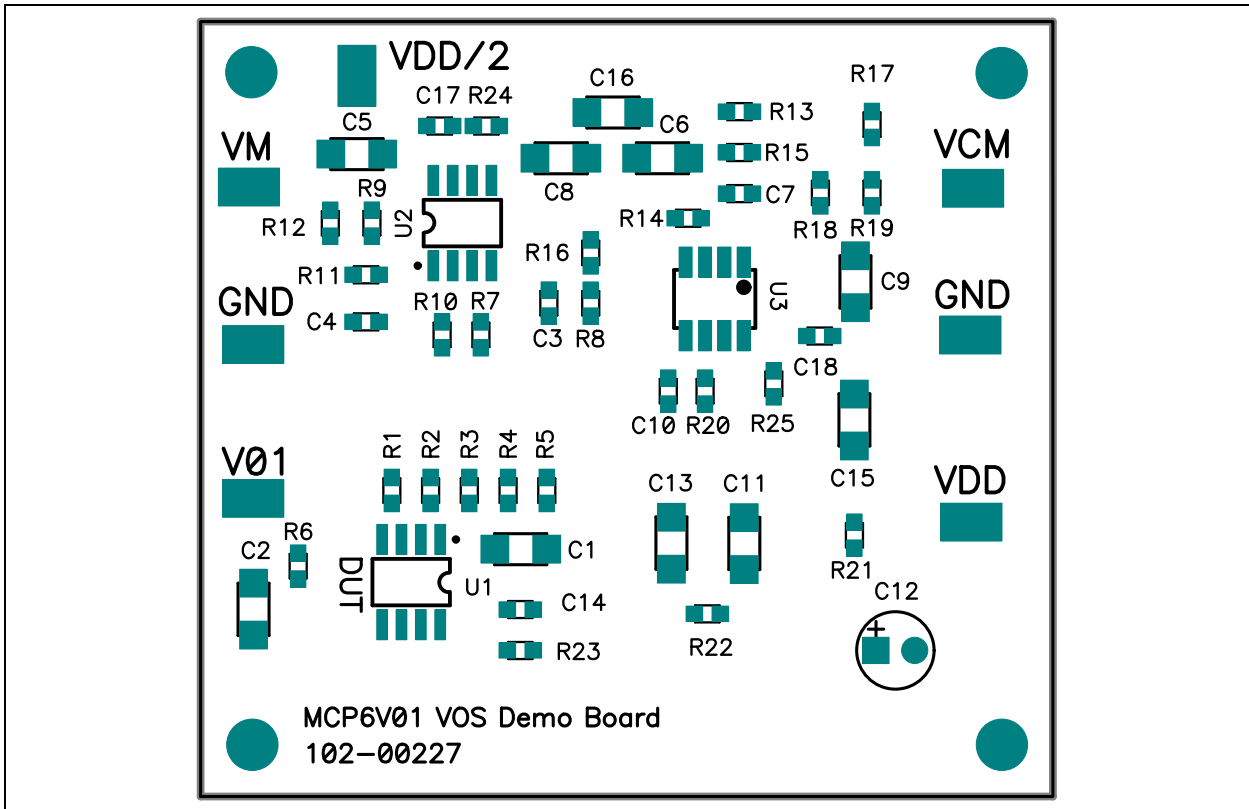


Title: MCP6V01 Input Offset Demo Board.
 Size: 103-0027R3
3
 Eng. A. Hernandez
 Date: 10/04/08
 File Name: 103-0027-R3.Sch
 Sheet 1 of 1

A.3 COMBINATION OF THE TOP SILK SCREEN AND TOP METAL LAYERS

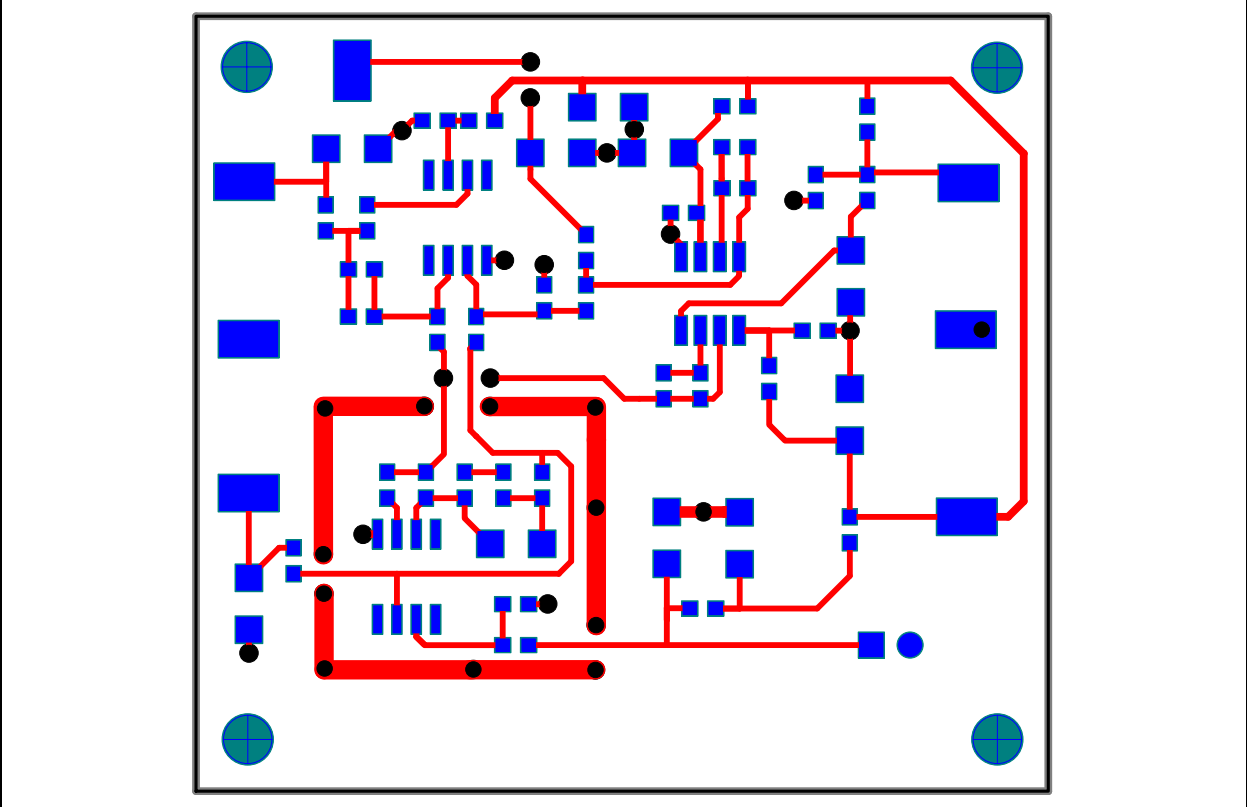


A.4 TOP SILK SCREEN

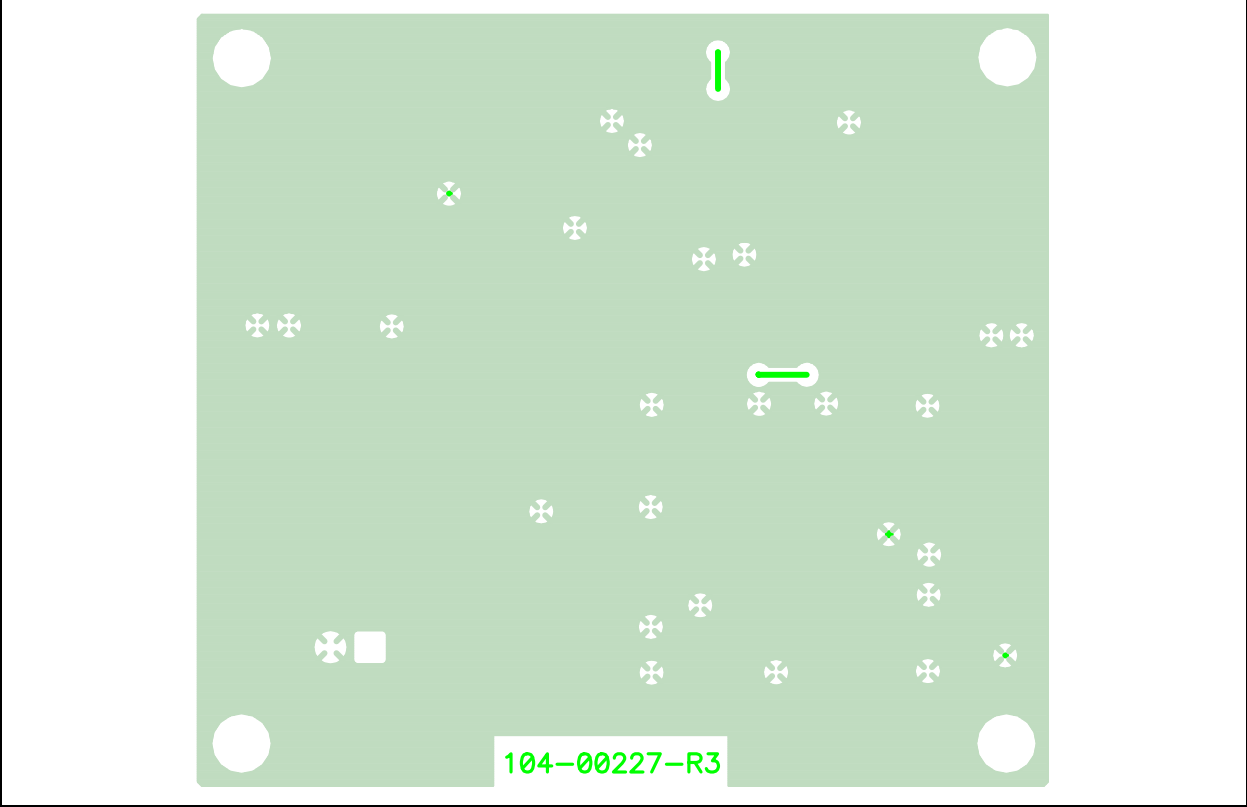


MCP6V01 Input Offset Demo Board User's Guide

A.5 TOP METAL LAYER



A.6 BOTTOM METAL LAYER



Appendix B. Bill Of Materials (BOM)

B.1 MCP6V01 INPUT OFFSET DEMO BOARD BOM

The BOM in Table B-1 corresponds to Figure 2-1; it shows all of the components assembled on the PCB. Table B-2 shows additional parts that come in the ESD protection bag that the user, if needed, installs.

TABLE B-1: BILL OF MATERIALS FOR ASSEMBLED PCB

Qty	Reference	Description	Manufacturer	Part Number
7	C3, C4, C7, C10, C14, C17, C18	100 nF, 0603 SMD, X7R, 16V, 10%	Panasonic®-ECG	ECJ-1VB1C104K
5	C1, C2, C8, C13, C16	1.0 µF, 1206 SMD, X7R, 16V, 10%		ECJ-3YB1C105K
5	C5, C6, C9, C11, C15	10 µF, 1206 SMD, X7R, 16V, 10%		ECJ-3YX1C106K
1	C12	100 µF, Radial, Electrolytic, 10V, 20%		EEU-FC1A101S
1	PCB	2 layer PCB (2.20 in x 2.00 in)	n/a	n/a
2	R7, R10	33.2 kΩ, 0603 SMD, 0.1%, 25 ppm/°C, 1/10W	Susumu Co. Ltd.	RG1608P-3322-B-T5
2	R8, R11	332 kΩ, 0603 SMD, 0.1%, 25 ppm/°C, 1/10W		RG1608P-3323-B-T5
3	R23, R24, R25	10.0Ω, 0603 SMD, 1%, 1/10W	Panasonic-ECG	ERJ-3EKF10R0V
2	R1, R2	20.0Ω, 0603 SMD, 1%, 1/10W		ERJ-3EKF20R0V
2	R21, R22	49.9Ω, 0603 SMD, 1%, 1/10W		ERJ-3EKF49R9V
1	R4	1.00 kΩ, 0603 SMD, 1%, 1/10W		ERJ-3EKF1001V
2	R5, R9	3.01 kΩ, 0603 SMD, 1%, 1/10W		ERJ-3EKF3011V
1	R19	10.0 kΩ, 0603 SMD, 1%, 1/10W		ERJ-3EKF1002V
5	R6, R12, R15, R16, R20	100 kΩ, 0603 SMD, 1%, 1/10W		ERJ-3EKF1003V
2	R17, R18	182 kΩ, 0603 SMD, 1%, 1/10W		ERJ-3EKF1823V
1	R3	196 kΩ, 0603 SMD, 1%, 1/10W		ERJ-3EKF1963V
2	R13, R14	200 kΩ, 0603 SMD, 1%, 1/10W		ERJ-3EKF2003V
2	U1, U2	MCP6V01, SOIC-8, Single Op Amp	Microchip Technology Inc.	MCP6V01-E/SN
1	U3	MCP6002, SOIC-8, Dual Op Amp		MCP6002-E/SN
7	TP1 – TP7	SMD, Test Point	Keystone Electronics®	5016

Note 1: The components listed in this Bill of Materials are representative of the PCB assembly. The released BOM used in manufacturing uses all RoHS-compliant components.

TABLE B-2: BILL OF MATERIALS FOR LOOSE PARTS IN BAG

Qty.	Reference Designator	Description	Manufacturer	Part Number
4	(for PCB mounting)	Stand-off, Hex, 0.500", 4 x 40 Thread, Nylon, 0.285" max. O.D.	Keystone Electronics	1902C
4	(for PCB mounting)	Machine Screw, Phillips, 4 x 40 Thread, 1/4" long, Nylon	Building Fasteners	NY PMS 440 0025 PH



WORLDWIDE SALES AND SERVICE

AMERICAS

Corporate Office

2355 West Chandler Blvd.
Chandler, AZ 85224-6199
Tel: 480-792-7200
Fax: 480-792-7277
Technical Support:
<http://support.microchip.com>
Web Address:
www.microchip.com

Atlanta

Duluth, GA
Tel: 678-957-9614
Fax: 678-957-1455

Boston

Westborough, MA
Tel: 774-760-0087
Fax: 774-760-0088

Chicago

Itasca, IL
Tel: 630-285-0071
Fax: 630-285-0075

Cleveland

Independence, OH
Tel: 216-447-0464
Fax: 216-447-0643

Dallas

Addison, TX
Tel: 972-818-7423
Fax: 972-818-2924

Detroit

Farmington Hills, MI
Tel: 248-538-2250
Fax: 248-538-2260

Kokomo

Kokomo, IN
Tel: 765-864-8360
Fax: 765-864-8387

Los Angeles

Mission Viejo, CA
Tel: 949-462-9523
Fax: 949-462-9608

Santa Clara

Santa Clara, CA
Tel: 408-961-6444
Fax: 408-961-6445

Toronto

Mississauga, Ontario,
Canada
Tel: 905-673-0699
Fax: 905-673-6509

ASIA/PACIFIC

Asia Pacific Office

Suites 3707-14, 37th Floor
Tower 6, The Gateway
Harbour City, Kowloon
Hong Kong
Tel: 852-2401-1200
Fax: 852-2401-3431

Australia - Sydney

Tel: 61-2-9868-6733
Fax: 61-2-9868-6755

China - Beijing

Tel: 86-10-8528-2100
Fax: 86-10-8528-2104

China - Chengdu

Tel: 86-28-8665-5511
Fax: 86-28-8665-7889

China - Hong Kong SAR

Tel: 852-2401-1200
Fax: 852-2401-3431

China - Nanjing

Tel: 86-25-8473-2460
Fax: 86-25-8473-2470

China - Qingdao

Tel: 86-532-8502-7355
Fax: 86-532-8502-7205

China - Shanghai

Tel: 86-21-5407-5533
Fax: 86-21-5407-5066

China - Shenyang

Tel: 86-24-2334-2829
Fax: 86-24-2334-2393

China - Shenzhen

Tel: 86-755-8203-2660
Fax: 86-755-8203-1760

China - Wuhan

Tel: 86-27-5980-5300
Fax: 86-27-5980-5118

China - Xiamen

Tel: 86-592-2388138
Fax: 86-592-2388130

China - Xian

Tel: 86-29-8833-7252
Fax: 86-29-8833-7256

China - Zhuhai

Tel: 86-756-3210040
Fax: 86-756-3210049

ASIA/PACIFIC

India - Bangalore

Tel: 91-80-3090-4444
Fax: 91-80-3090-4080

India - New Delhi

Tel: 91-11-4160-8631
Fax: 91-11-4160-8632

India - Pune

Tel: 91-20-2566-1512
Fax: 91-20-2566-1513

Japan - Yokohama

Tel: 81-45-471- 6166
Fax: 81-45-471-6122

Korea - Daegu

Tel: 82-53-744-4301
Fax: 82-53-744-4302

Korea - Seoul

Tel: 82-2-554-7200
Fax: 82-2-558-5932 or
82-2-558-5934

Malaysia - Kuala Lumpur

Tel: 60-3-6201-9857
Fax: 60-3-6201-9859

Malaysia - Penang

Tel: 60-4-227-8870
Fax: 60-4-227-4068

Philippines - Manila

Tel: 63-2-634-9065
Fax: 63-2-634-9069

Singapore

Tel: 65-6334-8870
Fax: 65-6334-8850

Taiwan - Hsin Chu

Tel: 886-3-6578-300
Fax: 886-3-6578-370

Taiwan - Kaohsiung

Tel: 886-7-536-4818
Fax: 886-7-536-4803

Taiwan - Taipei

Tel: 886-2-2500-6610
Fax: 886-2-2508-0102

Thailand - Bangkok

Tel: 66-2-694-1351
Fax: 66-2-694-1350

EUROPE

Austria - Wels

Tel: 43-7242-2244-39
Fax: 43-7242-2244-393

Denmark - Copenhagen

Tel: 45-4450-2828
Fax: 45-4485-2829

France - Paris

Tel: 33-1-69-53-63-20
Fax: 33-1-69-30-90-79

Germany - Munich

Tel: 49-89-627-144-0
Fax: 49-89-627-144-44

Italy - Milan

Tel: 39-0331-742611
Fax: 39-0331-466781

Netherlands - Drunen

Tel: 31-416-690399
Fax: 31-416-690340

Spain - Madrid

Tel: 34-91-708-08-90
Fax: 34-91-708-08-91

UK - Wokingham

Tel: 44-118-921-5869
Fax: 44-118-921-5820

03/26/09

Данный компонент на территории Российской Федерации

Вы можете приобрести в компании MosChip.

Для оперативного оформления запроса Вам необходимо перейти по данной ссылке:

<http://moschip.ru/get-element>

Вы можете разместить у нас заказ для любого Вашего проекта, будь то серийное производство или разработка единичного прибора.

В нашем ассортименте представлены ведущие мировые производители активных и пассивных электронных компонентов.

Нашей специализацией является поставка электронной компонентной базы двойного назначения, продукции таких производителей как XILINX, Intel (ex.ALTERA), Vicor, Microchip, Texas Instruments, Analog Devices, Mini-Circuits, Amphenol, Glenair.

Сотрудничество с глобальными дистрибьюторами электронных компонентов, предоставляет возможность заказывать и получать с международных складов практически любой перечень компонентов в оптимальные для Вас сроки.

На всех этапах разработки и производства наши партнеры могут получить квалифицированную поддержку опытных инженеров.

Система менеджмента качества компании отвечает требованиям в соответствии с ГОСТ Р ИСО 9001, ГОСТ РВ 0015-002 и ЭС РД 009

Офис по работе с юридическими лицами:

105318, г.Москва, ул.Щербаковская д.3, офис 1107, 1118, ДЦ «Щербаковский»

Телефон: +7 495 668-12-70 (многоканальный)

Факс: +7 495 668-12-70 (доб.304)

E-mail: info@moschip.ru

Skype отдела продаж:

moschip.ru

moschip.ru_4

moschip.ru_6

moschip.ru_9