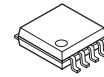


Two-phase Unipolar DC Brushless Motor Pre-Driver IC

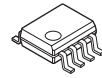
■ GENERAL DESCRIPTION

The NJM2646 is a 2-phase DC brushless motor pre-driver IC with a totem-pole pre-driver for external power MOS-FET driving. It has useful functions of Lock Detect and Auto Protection circuit, which improve safety in motor locking. The turn-on/turn-off ratio in the auto-recovery period is set in 1:10. The NJM2646 is available in surface mount packages, an 8-lead DMP, SOP and thin type MSOP (TVSP), which provides downsizing in the 12V fan motor applications. And it is pin compatible with the NJM2640, 48V pre-driver.

■ PACKAGE OUTLINE



**NJM2646M
(DMP8)**



**NJM2646E
(SOP8)**



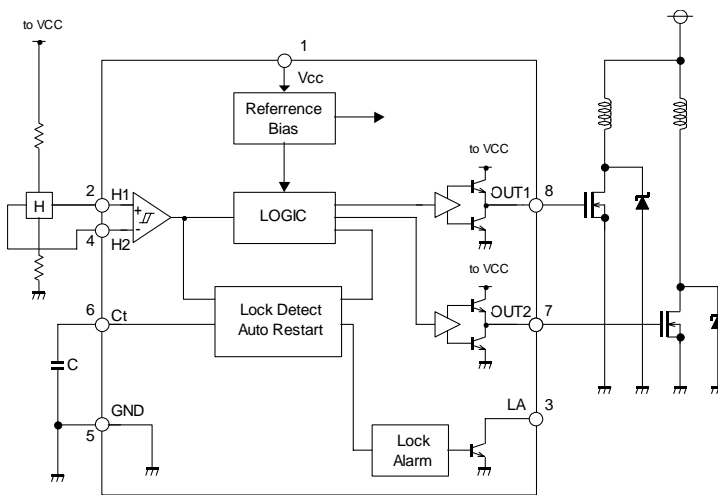
**NJM2646RB1
(MSOP8(TVSP8))**

■ FEATURES

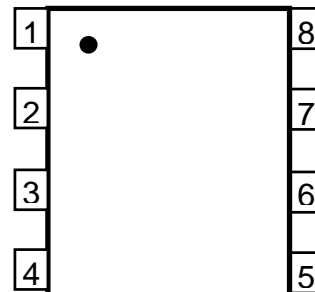
- Operating Voltage $V_{DD}=4$ to 15V
- Absolute Maximum Voltage 30V
- Internal Lock Detect / Auto Protection Release Circuit
- Internal Hall Amp with Hysteresis
- Lock Alarm Output Terminal
- Package Outline DMP8, SOP8 JEDEC 150mil
MSOP8(TVSP8)*

*MEET JEDEC MO-187-DA / THIN TYPE

■ BLOCK DIAGRAM



■ PIN FUNCTION



- 1: Vcc
- 2: H1
- 3: LA
- 4: H2
- 5: GND
- 6: Ct
- 7: OUT1
- 8: OUT2

NJM2646

■ ABSOLUTE MAXIMUM RATINGS

(Ta=25°C)

PARAMETER	SYMBOL	RATINGS	UNIT	NOTE
Supply Voltage	V_{CC}	30	V	-
Hall Input Voltage Range	V_{IH}	-0.3 to V_{CC}	V	-
Output Current (Peak)	I_{OUT}	70	mA	-
Lock Alarm Output Voltage	V_{OLA}	30	V	-
Hall Input Differential Voltage	V_{IHD}	2	V	-
Lock Alarm Output Current	I_{OLA}	20	V	-
Operating Temperature Range	T_{opr}	-40 to 85	°C	-
Operating Junction Temperature Range	T_{oj}	-40 to 150	°C	-
Storage Temperature Range	T_{stg}	-50 to 150	°C	-
Power Dissipation	P_D	300 (DMP8) 300 (SOP8) 400 (MSOP8(TVSP8))	mW	Device itself

■ RECOMMENDED OPERATING CONDITIONS

(Ta=25°C)

PARAMETER	SYMBOL	RATINGS	UNIT (unit)	NOTE
Supply Voltage	V_{CC}	4 to 15	V	-
Hall Input Voltage Common Mode Voltage	V_{ICM}	1.5 to $V_{CC}-2$	V	-
Junction Temperature	T_j	-40 to 125	°C	-

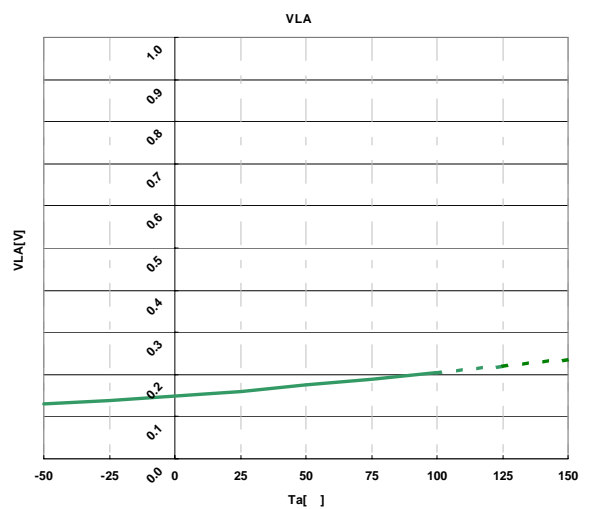
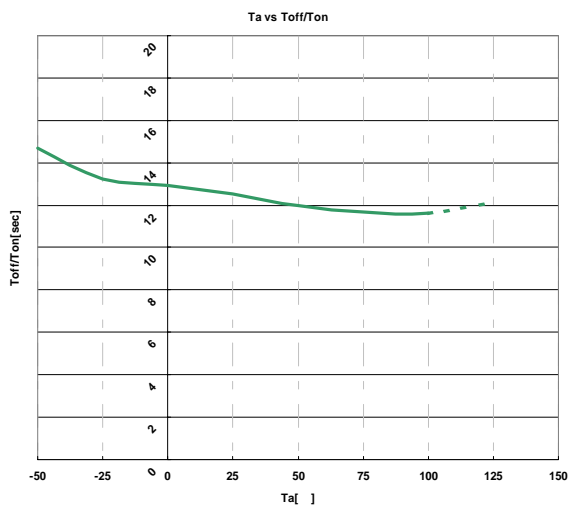
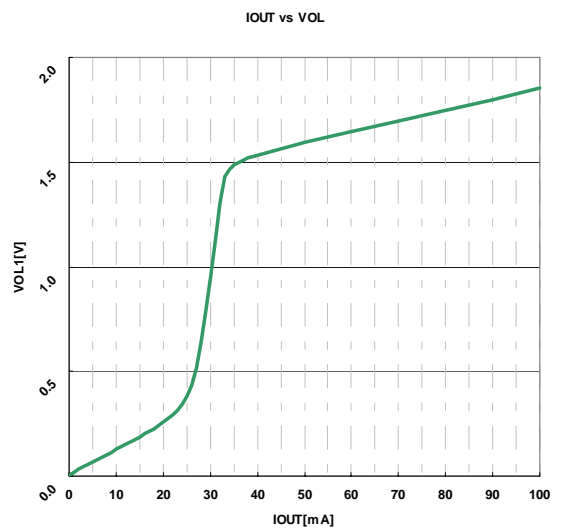
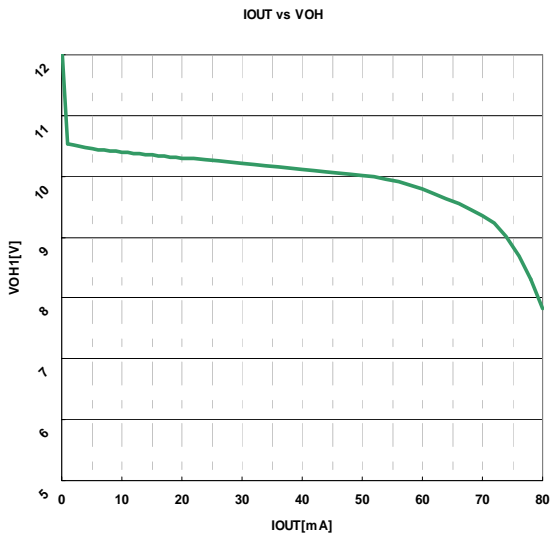
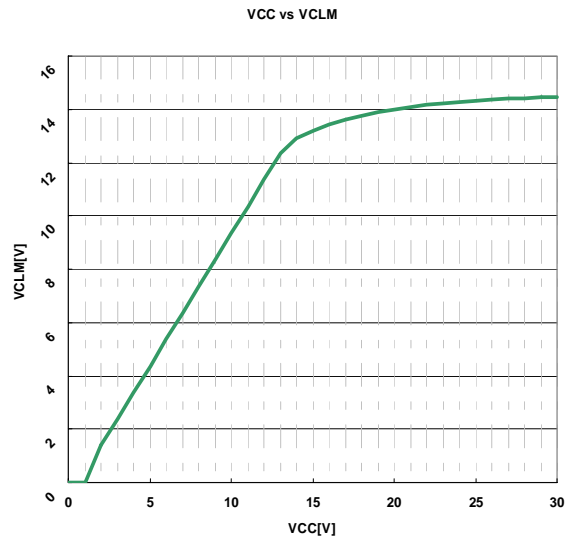
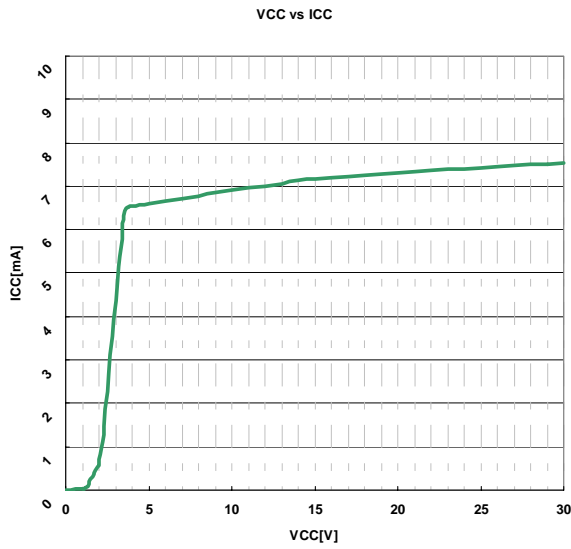
■ ELECTRICAL CHARACTERISTICS

($V_{DD}=12V, T_a=25^{\circ}C$)

PARAMETER	SYMBOL	CONDITION	MIN.	TYP.	MAX.	UNIT
Operating Current	I_{CC}	-	-	7.7	10.5	mA
Hall Input Hysterisis Range	V_{HYS}	-	8	20	-	mV
Hall Amplifier Input Bias Current	I_B	-	-	0.5	-	μA
High Side Output Voltage	V_{OH}	$I_{OUT}=20mA$	10.0	10.3	-	V
Low Side Output Voltage	V_{OL}	$I_{OUT}=20mA$	-	0.5	0.8	V
Output Clamp Voltage	V_{CLM}	$V_{CC}=28V$	-	15	-	V
Lock Alarm Output Voltage	V_{LA}	Lock Alarm ON, $I_{LA}=5mA$	-	-	0.5	V
Lock Alarm Leak Current	$I_{LA-LEAK}$	$V_{LA}=15V$	-	1	3	μA
Ct Charge Current	I_C	$V_{CT}=1.5V$	-	4.0	5.5	μA
Ct Discharge Current	I_{DC}	$V_{CT}=1.5V$	-	0.4	0.6	μA
Charge / Discharge Current Ratio	I_C / I_{DC}	-	-	12	-	
Ct H-level Cense Voltage	V_{CH}	-	2.2	2.5	2.8	V
Ct L-level Cense Voltage	V_{CL}	-	0.85	0.95	1.05	V
Auto Protection Release ON Time	T_{ON}	$C_t=0.47\mu F$	-	0.23	-	s
Auto Protection Release OFF Time	T_{OFF}	$C_t=0.47\mu F$	-	2.8	-	s

NJM2646

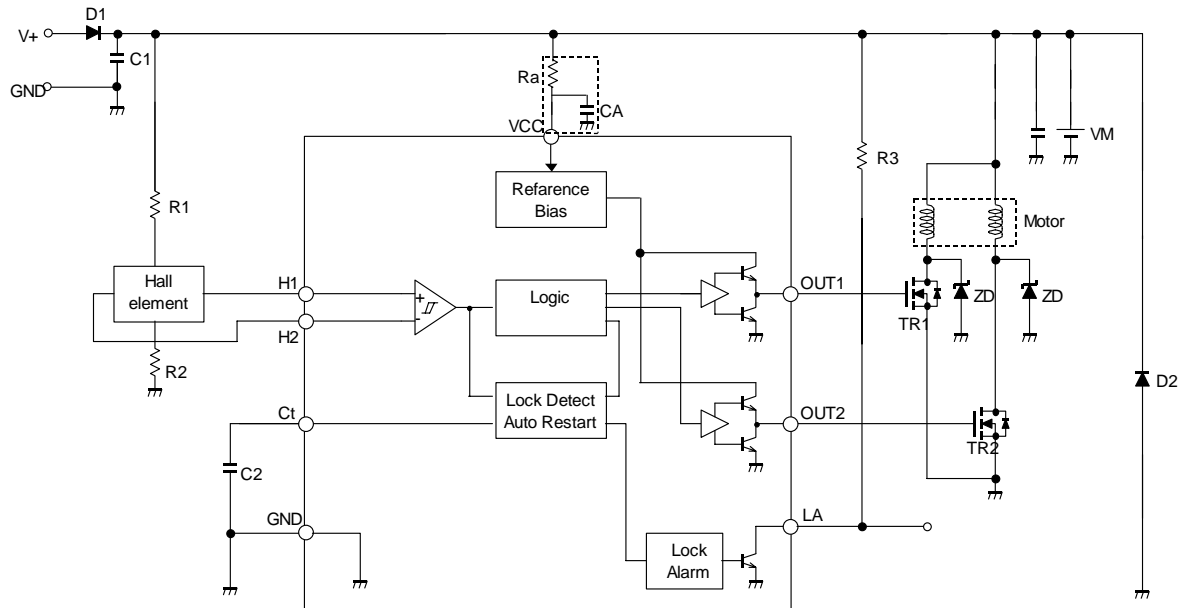
TYPICAL CHARACTERISTICS



APPLICATION NOTE

The NJM2646 is a two-phase motor unipolar pre-driver IC for FET drive. It is suitable for fan motor drivers for communication equipment where 12V operation is required.

[Application Circuit Example]



[Design Notes]

Above application example is designed for 12V operation. It uses the following components:

Hall Elements: HW101A (AKE)
 TR1, TR2: 2SK3022 (Panasonic)

1. Selection of C1 and D1:

C1 is used for a noise reduction purpose. A typical value is 0.1uF.

Optimize the value in actual operating conditions if necessary. D1 is a diode for protection against reverse voltage supply. Silicon rectifier diode (WO3C, 10D1 and equivalent) is appropriate.

2. Lock Protection Function (Design of C2 value):

Lock Protection Function, consists of Motor Lock Detection and Auto Resume Function, is a safety feature to protect a motor and a driver circuit from fatal destruction in case of motor halt.

Motor Lock Detection detects motor halt due to irregular load conditions and then cuts motor driving current for safety operation. When Lock Detection is activated; Lock Alert Out (LA: Pin 3) goes to L.

A value of C2 determines Lock detection time (Ton) and Auto Resume Time (Toff).

Lock detection time (Ton) is given by:

$$T_{ON} = C2 \frac{V_{ch} - V_{cl}}{I_c} [\text{sec}]$$

Where C2 is 0.47uF:

$$T_{ON} = 0.47 \times 10^{-6} \times \frac{2.5 - 0.95}{4.0 \times 10^{-6}} = 0.18 [\text{sec}]$$

Auto Resume Time (Toff) is given by:

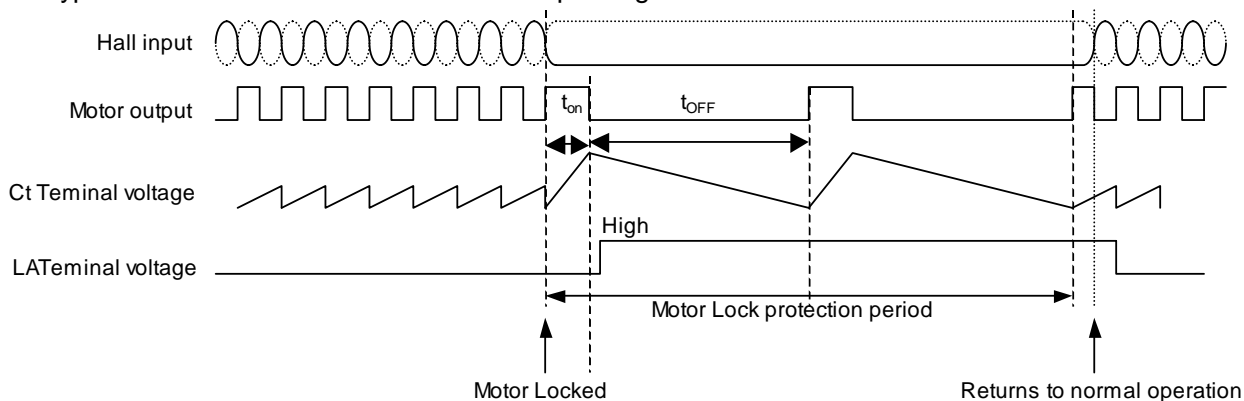
$$T_{OFF} = C2 \frac{V_{ch} - V_{cl}}{I_{dc}} [\text{sec}]$$

Where C2 is 0.47uF:

$$T_{OFF} = 0.47 \times 10^{-6} \times \frac{2.5 - 0.95}{0.4 \times 10^{-6}} = 1.82 [\text{sec}]$$

In actual application, Lock detection time (Ton) is affected by the mechanical time constant of a motor. Therefore, constant start up must be confirmed in actual evaluation taking operating variations (i.e. Temperature, Voltage change and so on) in consideration.

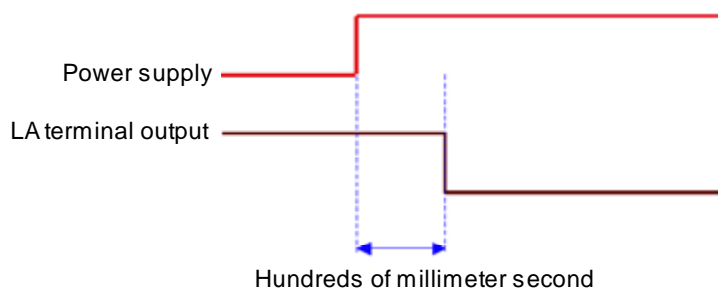
A typical value of C2 is either 0.47uF or 1uF depending on a motor.



Lock Protection

Lock Alert Out (LA: Pin 3) is an open collector output and R3 is a pull up resistor. A typical value of R3 is 10kΩ.

It must be noted that Lock Alert Out stays a H state during few hundred milliseconds from power up as shown in the picture below.



3. Design of hall element bias resistance (**R1 and R2**)

Hall amplifier is a differential amplifier with hysteresis characteristics (24mV typical).

The common-mode input voltage is between 1.5V and $V_{cc}-2V$ and the input signal must be within the range.

Non-excitation hall bias voltage is to be set at a half of V_{CC} for effective use of common-mode input voltage range.

Therefore the same value of hall bias resistors is selected for R1 and R2.

Given that the bias current is set to be 5mA by HW101A datasheet, R1 and R2 can be determined as follows:

$$R1 + R2 = \frac{V_{cc}}{I_{bias}} = \frac{12}{5 \times 10^{-3}} = 2.4k\Omega$$

$$R1 = R2 = 1.2k\Omega$$

The output voltage of hall elements is influenced by the bias current and magnetic flux density of hall elements.

The optimum input voltage of the NJM2646 is 100mVp-p and higher. With such input voltage, the highest efficiency can be obtained.

4. Design of spike killer for power transistor (**ZD1 and ZD2**)

Zenner diodes (often referred as spike killer) are used for limiting kick back voltage of motor winding generated when power transistors is (TR1 and TR2) turned off from on.

There are two methodologies to consume kick back voltage:

1) By insertion of ZD1 (zenner diode connected between Base and Emitter of TR1)

Energy of kick back voltage is consumed by TR1(or TR2). When ZD1 is in operation, Collector voltage is sum of V_{be} and ZD1. Therefore, breakdown voltage of ZD1 must be lower than that of TR1.

2) By insertion of ZD2 (zenner diode connected between Collector and Emitter of TR1)

Energy of kick back voltage is consumed by ZD2. To protect TR1, breakdown voltage of ZD2 must be lower than that of TR1.

This method is generally used when Energy of kick back voltage is large. In such application, power rating of ZD must take in consideration.

5. VCC input (Design of **Ra and Ca**)

R_a and C_a must be used if V_{CC} exceeds operating voltage range of NJM2646.

Example) V_{CC} 30V Application

Given that current consumption of NJM2646 is 10.5mA (at $V_{CC}=12V$), R_a is given by:

$$R_a = \frac{30 - 12}{10.5 \times 10^{-3}} = 1.71k\Omega$$

C_a is used if NJM2646 is oscillated or shows unstable operation. A typical value C_a is from 0.01 μ F to 0.1 μ F. A ceramic type is recommended and it must be place near V_{CC} and Gnd.

Inserting R_a and C_a also improves ESD immunity.

7. Protection from active power on and off (**D2**)

If an application requires active power on and off, TR1 (TR2) may be damaged or resulted in destruction.

In such application, adding diode between motor winding and Gnd will reduce the damage.

The specifications on this data book are only given for information, without any guarantee as regards either mistakes or omissions. The application circuit in this data book are described only to show representative usages of the product and not intended for the guarantee or permission of any right including the industrial rights.

Mouser Electronics

Authorized Distributor

Click to View Pricing, Inventory, Delivery & Lifecycle Information:

[NJR:](#)

[NJM2646R-TE1](#) [NJM2646RB1-TE1](#) [NJM2646E](#) [NJM2646M-TE1](#) [NJM2646E-TE1](#)

Данный компонент на территории Российской Федерации

Вы можете приобрести в компании MosChip.

Для оперативного оформления запроса Вам необходимо перейти по данной ссылке:

<http://moschip.ru/get-element>

Вы можете разместить у нас заказ для любого Вашего проекта, будь то серийное производство или разработка единичного прибора.

В нашем ассортименте представлены ведущие мировые производители активных и пассивных электронных компонентов.

Нашей специализацией является поставка электронной компонентной базы двойного назначения, продукции таких производителей как XILINX, Intel (ex.ALTERA), Vicor, Microchip, Texas Instruments, Analog Devices, Mini-Circuits, Amphenol, Glenair.

Сотрудничество с глобальными дистрибьюторами электронных компонентов, предоставляет возможность заказывать и получать с международных складов практически любой перечень компонентов в оптимальные для Вас сроки.

На всех этапах разработки и производства наши партнеры могут получить квалифицированную поддержку опытных инженеров.

Система менеджмента качества компании отвечает требованиям в соответствии с ГОСТ Р ИСО 9001, ГОСТ РВ 0015-002 и ЭС РД 009

Офис по работе с юридическими лицами:

105318, г.Москва, ул.Щербаковская д.3, офис 1107, 1118, ДЦ «Щербаковский»

Телефон: +7 495 668-12-70 (многоканальный)

Факс: +7 495 668-12-70 (доб.304)

E-mail: info@moschip.ru

Skype отдела продаж:

moschip.ru

moschip.ru_4

moschip.ru_6

moschip.ru_9